

US00D927928S

(12) **United States Design Patent**
Dahle et al.

(10) **Patent No.:** **US D927,928 S**

(45) **Date of Patent:** **** Aug. 17, 2021**

(54) **PORTABLE STAND**

(71) Applicant: **North Atlantic Imports, LLC**, Logan, UT (US)

(72) Inventors: **Roger Dahle**, Providence, UT (US);
Steve L. Puertas, Wellsville, UT (US);
Scott W. M. Stevenson, Smithfield, UT (US)

(73) Assignee: **North Atlantic Imports, LLC**, Logan, UT (US)

(**) Term: **15 Years**

(21) Appl. No.: **29/672,461**

(22) Filed: **Dec. 5, 2018**

(51) **LOC (13) Cl.** **07-02**

(52) **U.S. Cl.**
USPC **D7/403**; D6/684

(58) **Field of Classification Search**
USPC D7/323, 331-338, 402-409; 126/25 R;
D6/686, 684; D25/67; D15/141
CPC A47J 37/07-0713; A47J 37/0763; A47J
37/0781; A47J 37/0786; B25H 1/06;
B25H 1/04; A47B 3/08
See application file for complete search history.

(56) **References Cited**

U.S. PATENT DOCUMENTS

- 1,770,574 A * 7/1930 Ironside A47B 3/0916
248/439
- 2,009,792 A 7/1934 Uhl
- 2,034,472 A 3/1936 Kesslinger
- 2,515,521 A 7/1950 Loffredo
- 2,652,299 A 9/1953 Bryan
- 2,758,899 A 8/1956 Smith et al.
- D180,744 S * 8/1957 Miller D7/403
- 3,005,451 A 10/1961 Richart
- 3,123,935 A 3/1964 Williams

- 3,144,014 A 8/1964 Mantell, Jr.
 - 3,503,324 A 3/1970 Gmeiner
 - D225,116 S * 11/1972 Krajewski D6/686
 - 3,824,984 A 7/1974 Swanson et al.
- (Continued)

FOREIGN PATENT DOCUMENTS

- DE 10145231 4/2003
- FR 2654913 5/1991
- JP 09238753 9/1997

OTHER PUBLICATIONS

SKIL 80092 Folding Table Saw Stand, Jan. 7, 2005, Amazon, <https://www.amazon.com/skil-80092-folding-table-stand/dp/b0007dfx34> (Year: 2005).*

(Continued)

Primary Examiner — Brett Miller

(74) *Attorney, Agent, or Firm* — David L. Stott

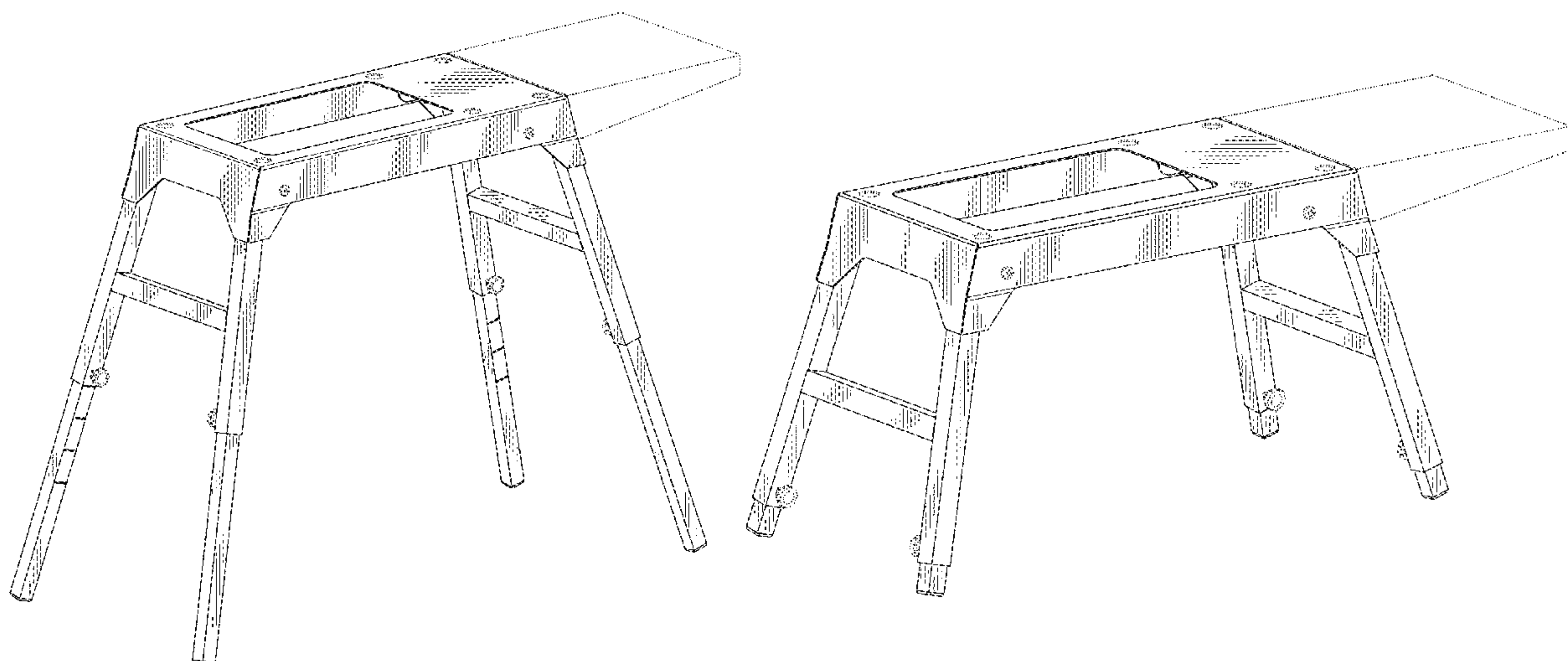
(57) **CLAIM**

The ornamental design for a portable stand, as shown and described.

DESCRIPTION

FIG. 1 is an isometric view of an embodiment of a portable stand;
FIG. 2 is a front view of the portable stand of FIG. 1;
FIG. 3 is a rear view of the portable stand of FIG. 1;
FIG. 4 is a left-side view of the portable stand of FIG. 1;
FIG. 5 is a right-side view of the portable stand of FIG. 1;
FIG. 6 is a top view of the portable stand of FIG. 1;
FIG. 7 is a bottom view of the portable stand of FIG. 1;
FIG. 8 is an isometric view of the portable stand with legs of the portable stand in a shortened position; and,
FIG. 9 is an isometric view of the portable stand with the legs of the portable stand in a folded compact position.
The broken lines in the drawings represent portions of the portable stand that form no part of the claimed design.

1 Claim, 8 Drawing Sheets



(56)

References Cited

U.S. PATENT DOCUMENTS

4,046,221 A * 9/1977 Edenfield B25H 1/06
 182/155
 4,191,111 A * 3/1980 Emmert B25H 1/06
 108/132
 D256,533 S * 8/1980 Alessio D6/684
 D271,935 S 12/1983 Conner
 D275,250 S * 8/1984 Kirsner D7/403
 4,492,215 A 1/1985 DiGianvittorio
 4,623,066 A 11/1986 Talbot
 D290,560 S * 6/1987 Carrabba D6/686
 5,065,734 A 11/1991 Elliott
 D329,162 S 9/1992 Dutro et al.
 D357,140 S * 4/1995 Hollinger D6/684
 5,553,601 A 9/1996 Parker et al.
 D384,514 S * 10/1997 Pestone D6/684
 5,678,531 A 10/1997 Byers et al.
 D419,331 S * 1/2000 Dembicks D6/708
 D424,364 S 5/2000 Persson
 6,131,560 A 10/2000 Healy
 D436,763 S * 1/2001 Balolia D6/684
 6,182,560 B1 2/2001 Andress
 6,196,114 B1 3/2001 Rohloff
 D444,991 S 7/2001 Measom
 6,302,097 B1 10/2001 Rivera
 6,357,344 B2 3/2002 O'Grady et al.
 6,539,843 B2 4/2003 Andress
 6,595,198 B2 7/2003 Mosher et al.
 6,607,015 B1 * 8/2003 Chen B25H 1/04
 108/132
 D486,689 S 2/2004 Lu

7,080,640 B2 7/2006 Sanders et al.
 7,086,395 B1 8/2006 Li
 D555,426 S 11/2007 Lin
 7,426,928 B2 9/2008 Sanders et al.
 D579,260 S 10/2008 Zischke
 D594,042 S * 6/2009 Wise D15/141
 D653,898 S * 2/2012 Chung D7/337
 8,127,694 B2 3/2012 Low
 8,820,310 B1 9/2014 Plott
 D776,826 S * 1/2017 Foley B25H 1/04
 D25/66
 D781,083 S * 3/2017 Zhu D6/684
 9,915,432 B2 3/2018 Plott
 D901,965 S * 11/2020 Carson D7/332
 2002/0050274 A1 5/2002 Hamilton et al.
 2002/0148458 A1 10/2002 Andress
 2006/0102163 A1 5/2006 Sanders et al.
 2006/0169273 A1 8/2006 Li
 2006/0225725 A1 10/2006 Rinaldo
 2006/0272630 A1 12/2006 Sanders et al.
 2007/0089649 A1 * 4/2007 Chen B25H 1/04
 108/118
 2012/0312140 A1 * 12/2012 Rybka B23D 47/025
 83/471.3
 2020/0256070 A1 * 8/2020 Xie B25H 1/06

OTHER PUBLICATIONS

Blackstone 17-in and 22-in Griddle Leg Stand, Sep. 30, 2018, Lowes, <https://www.lowes.com/pd/Blackstone-Blackstone-17-in-and-22-in-Griddle-Leg-Stand/1002663124> (Year: 2018).*

* cited by examiner

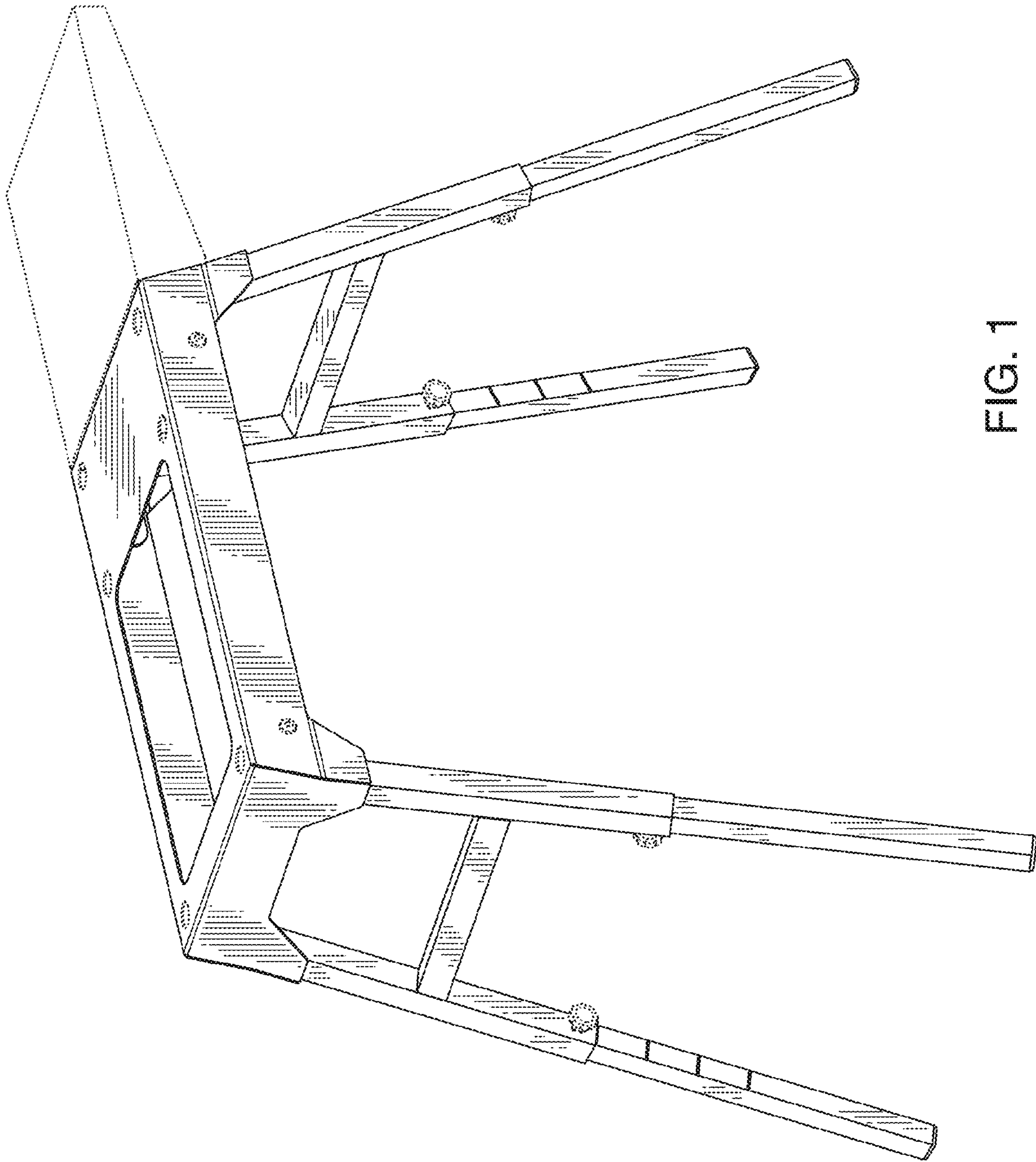


FIG. 1

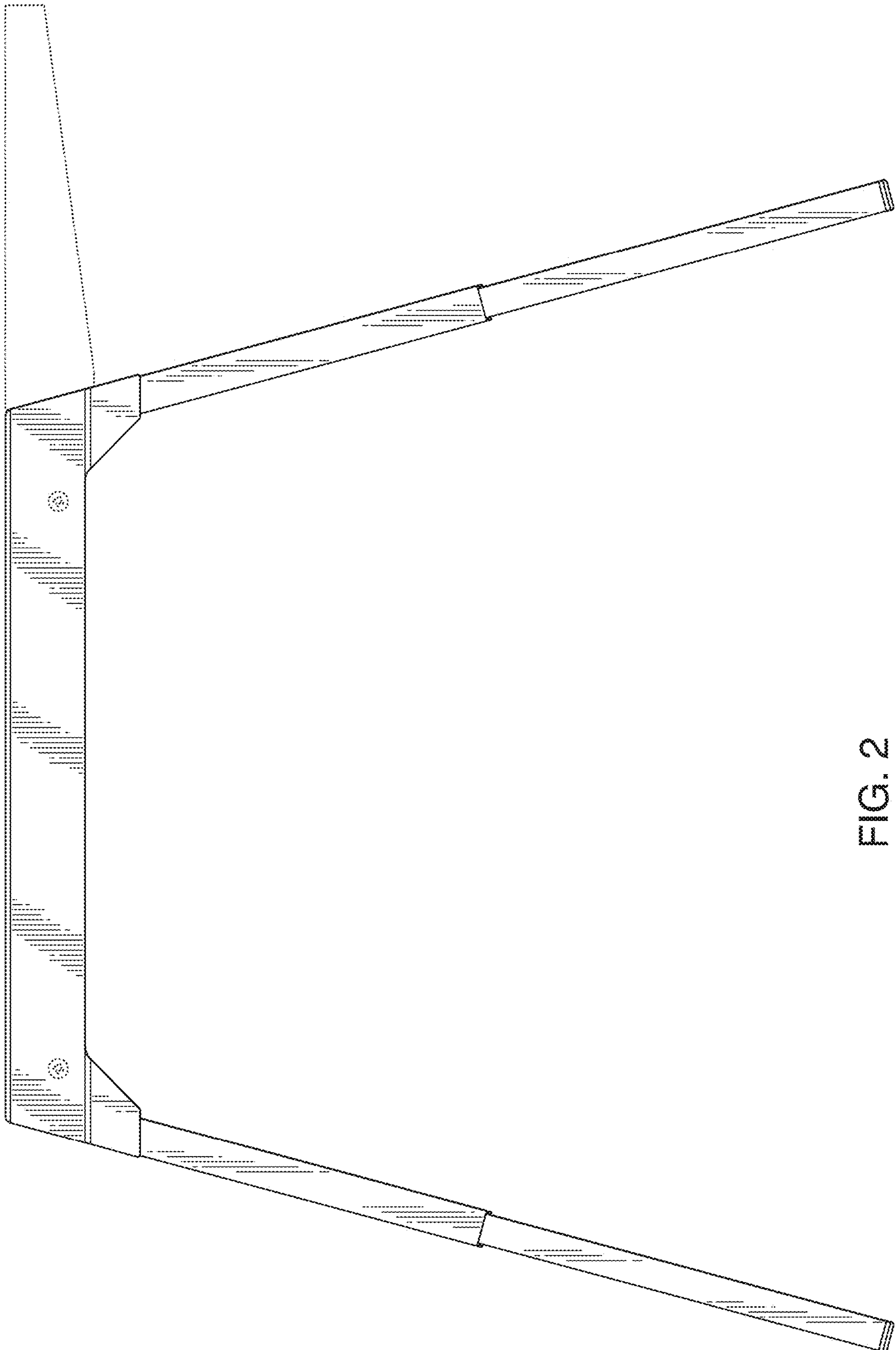


FIG. 2

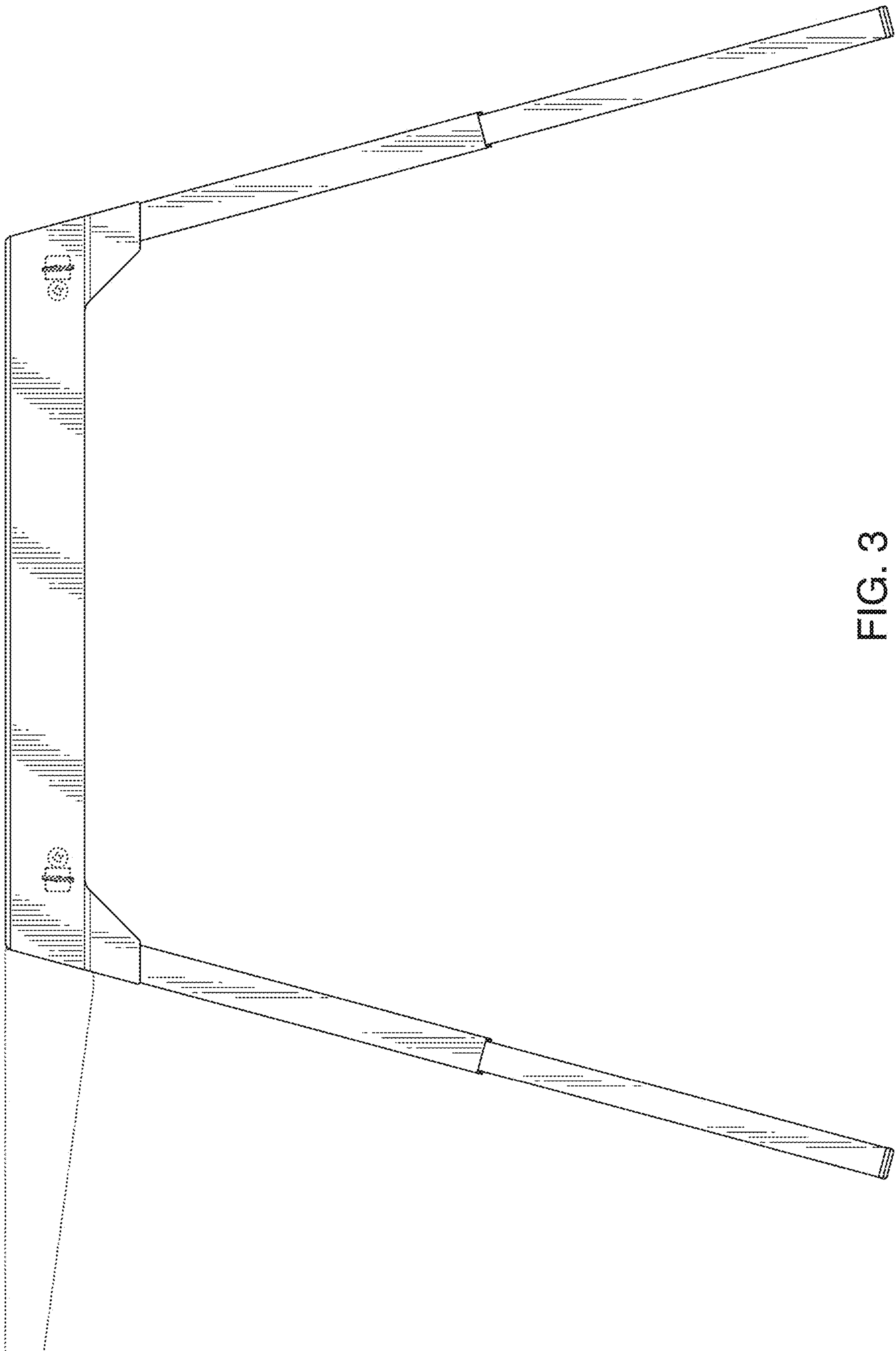


FIG. 3

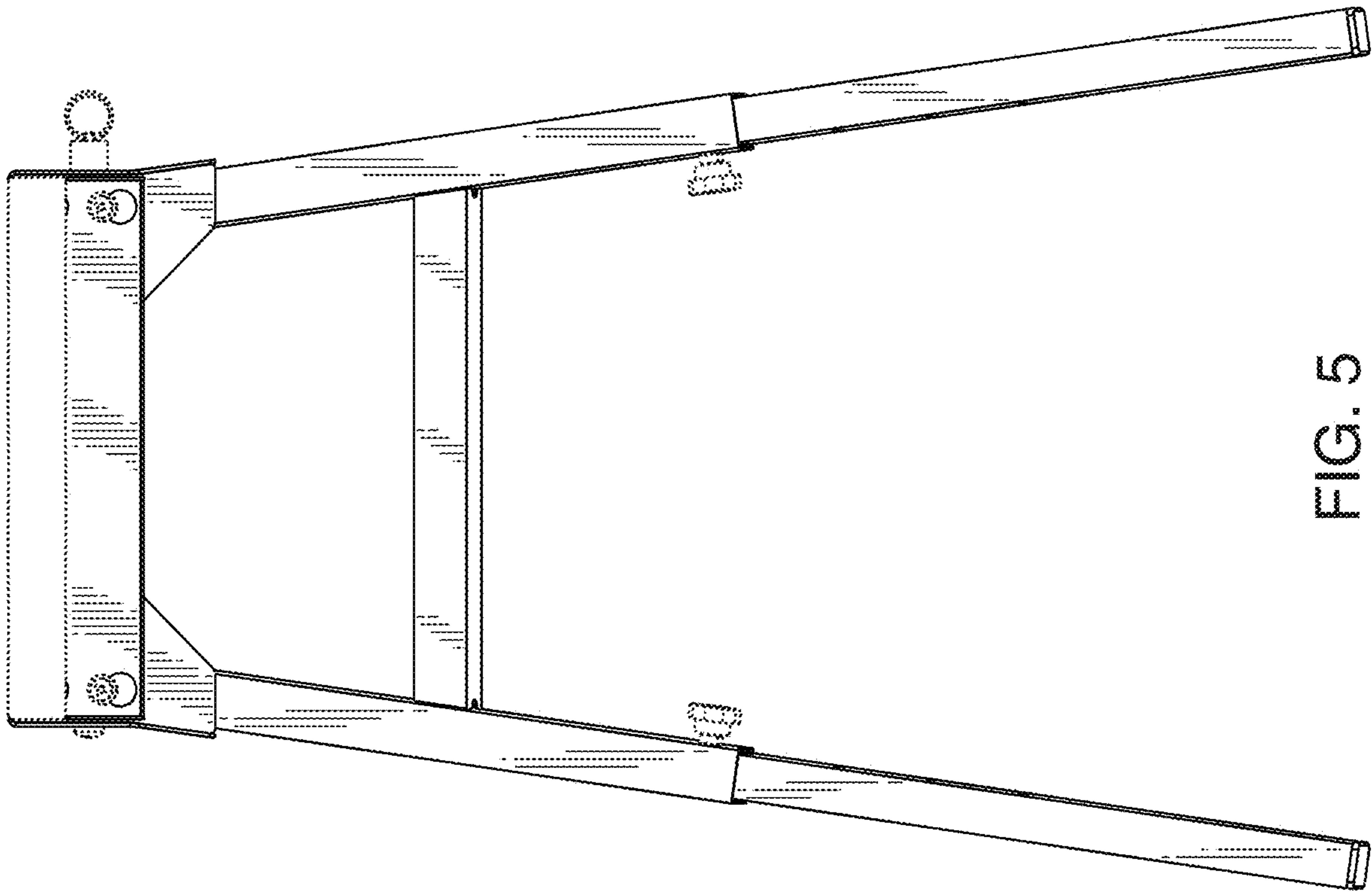


FIG. 5

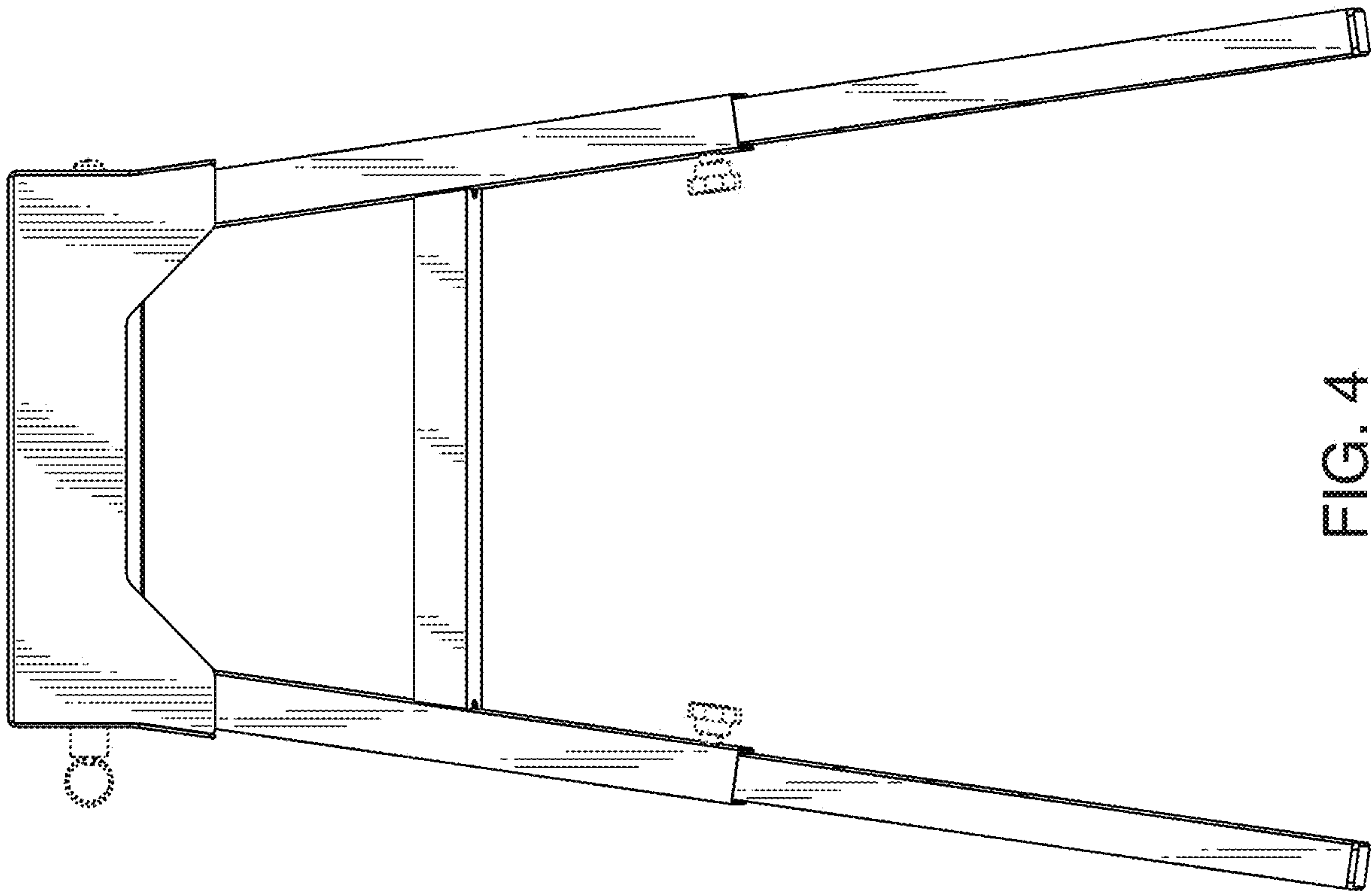


FIG. 4

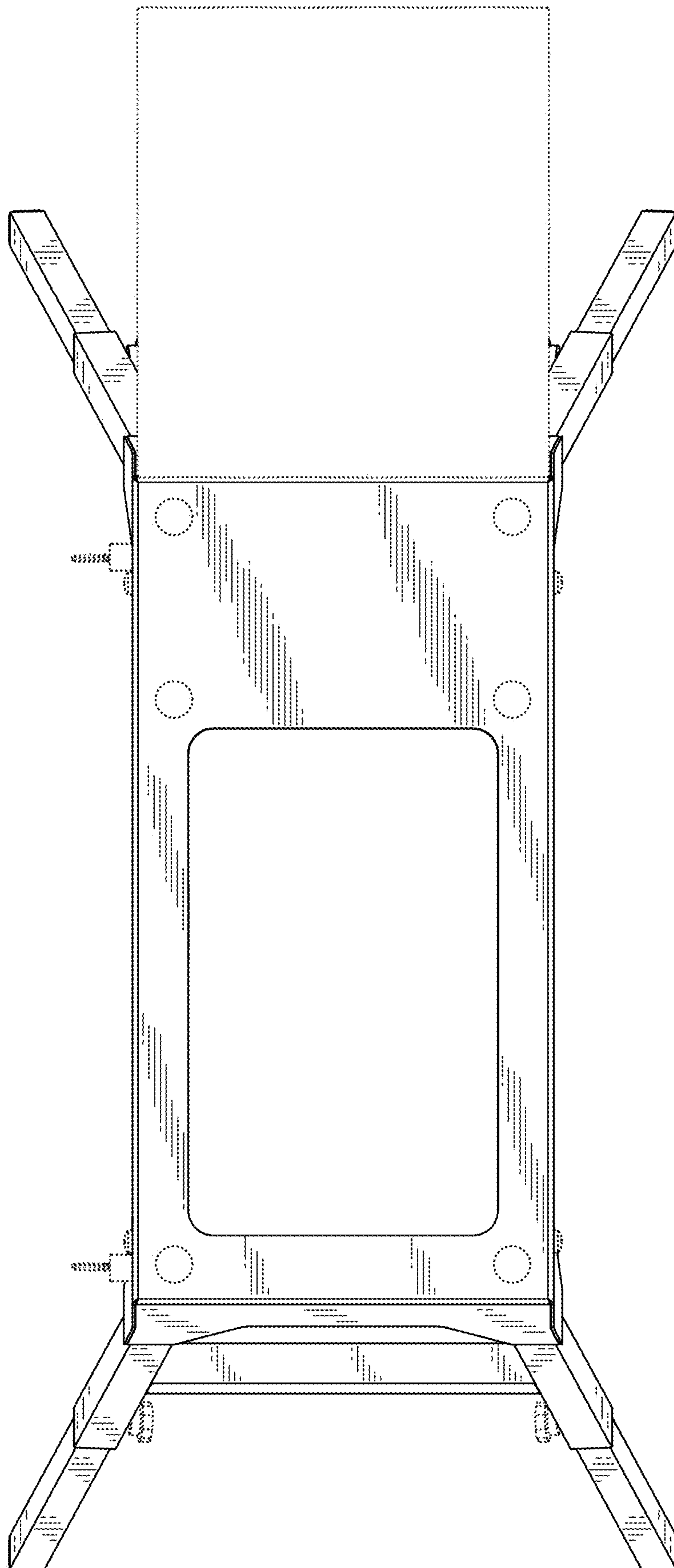


FIG. 6

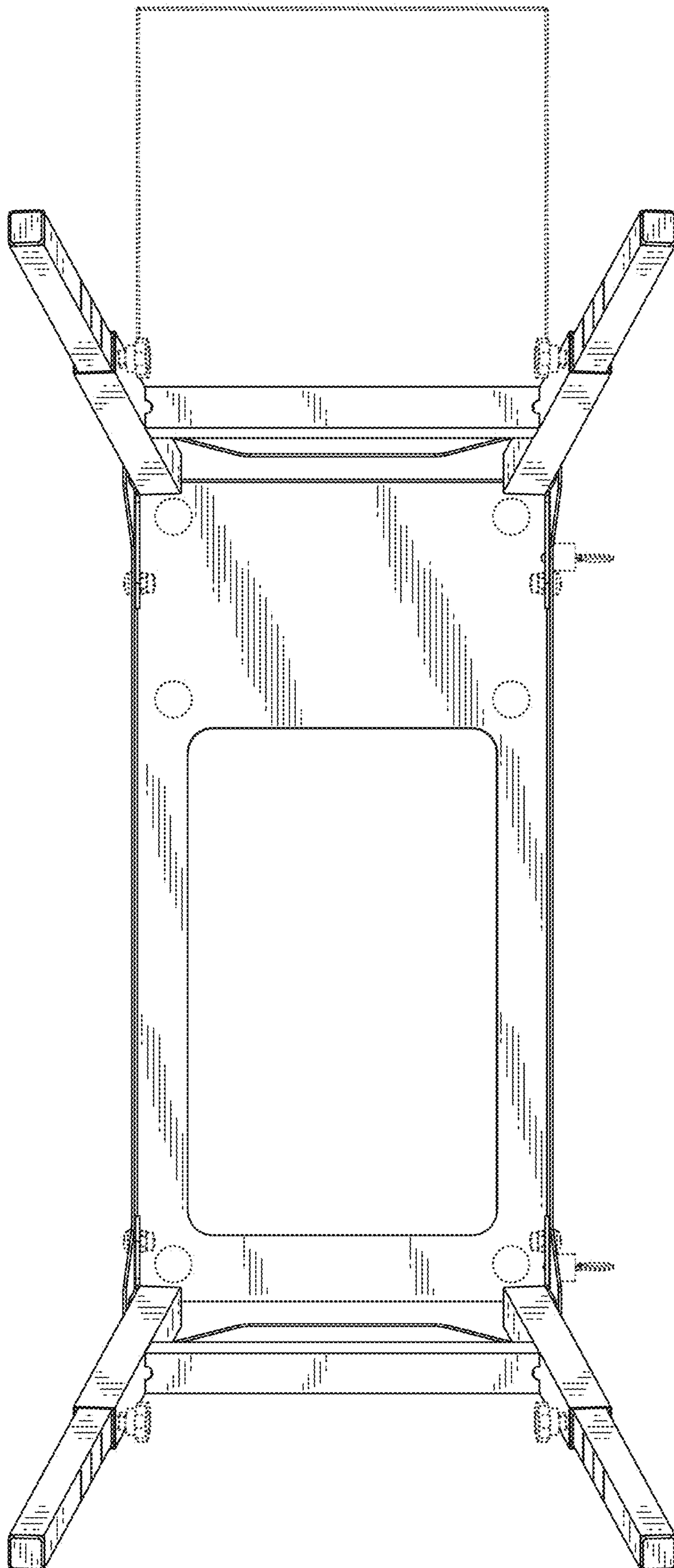


FIG. 7

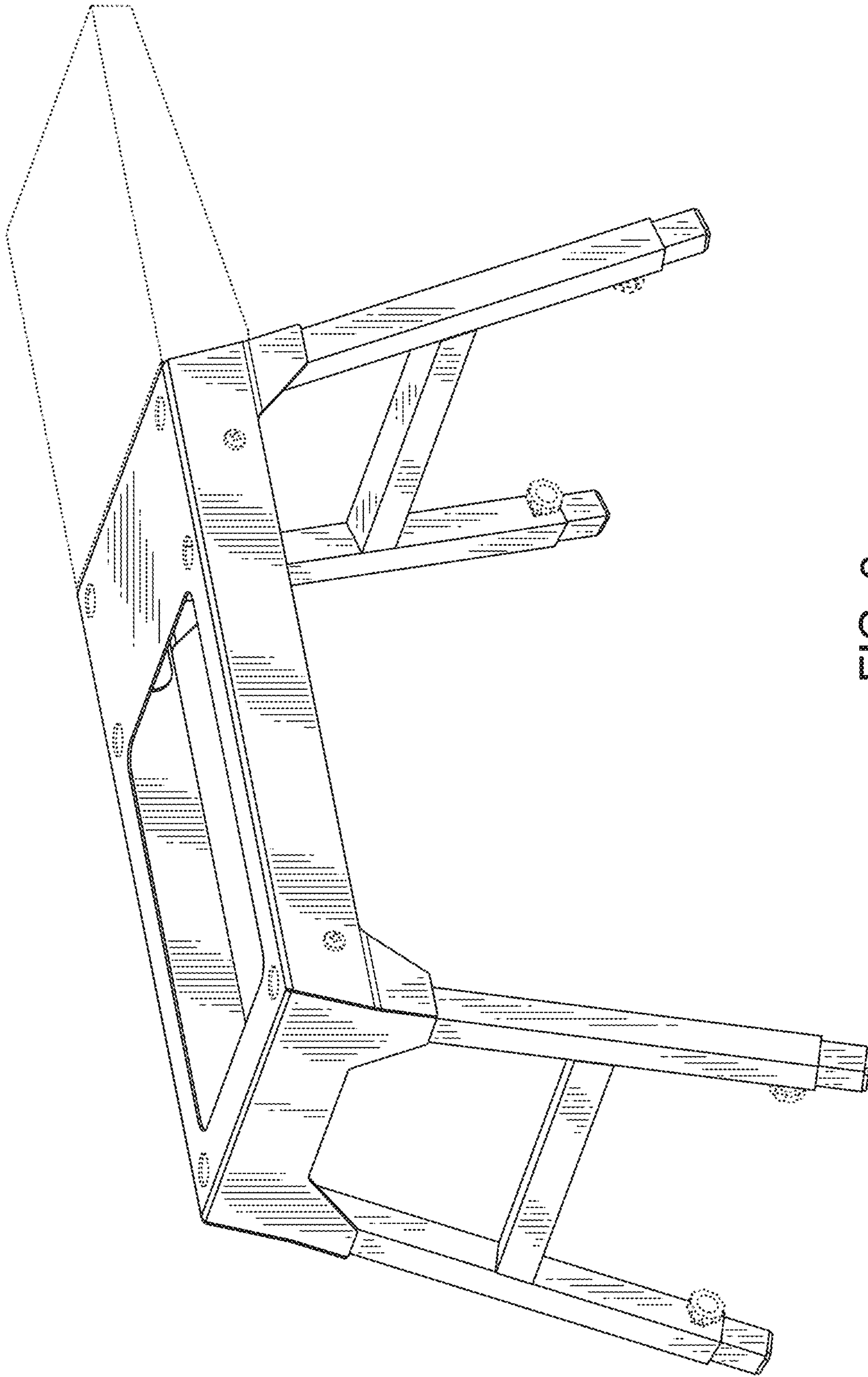


FIG. 8

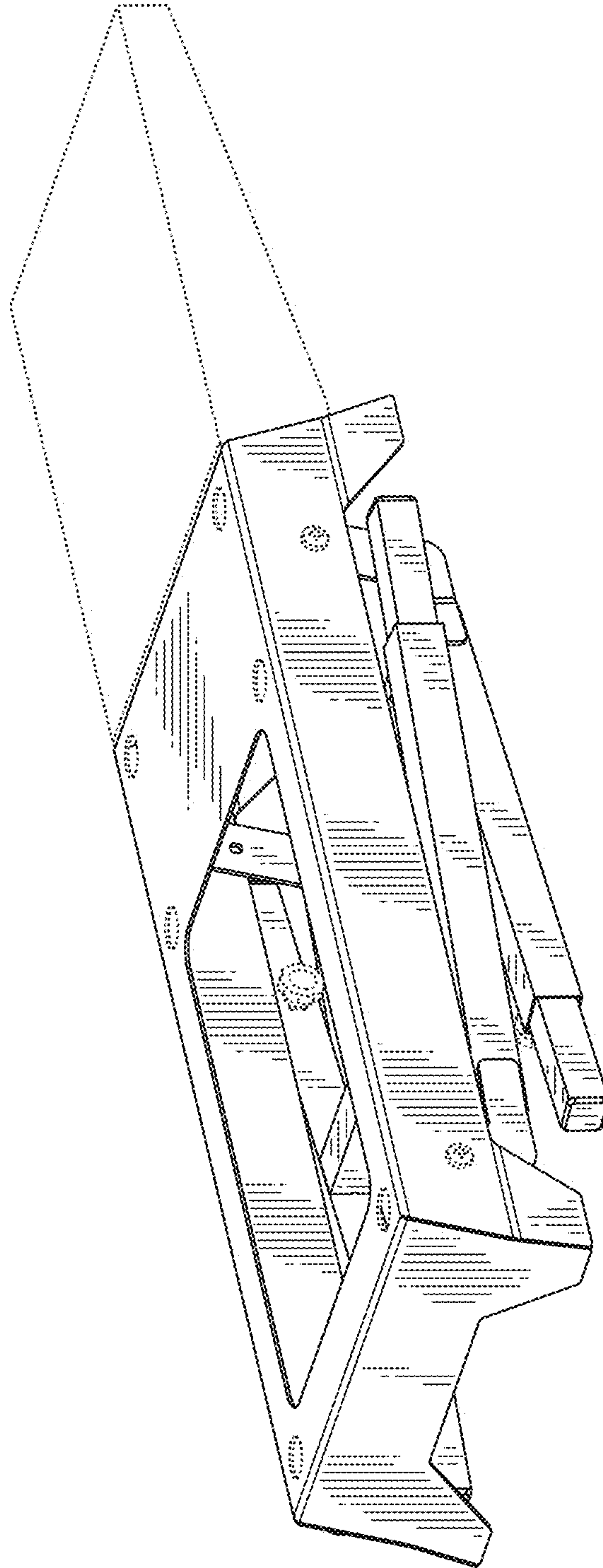


FIG. 9