



US00D927927S

(12) **United States Design Patent** (10) **Patent No.:** **US D927,927 S**  
**Grassy et al.** (45) **Date of Patent:** **\*\* Aug. 17, 2021**

(54) **SINGLE-CUP BREWER**  
(71) Applicant: **CHEMEX CORPORATION**,  
Chicopee, MA (US)  
(72) Inventors: **Adams Grassy**, Brimfield, MA (US);  
**Eliza Grassy**, Lee, MA (US); **Meghan Dewar**,  
Amherst, MA (US)  
(73) Assignee: **CHEMEX CORPORATION**,  
Chicopee, MA (US)  
(\*\*) Term: **15 Years**  
(21) Appl. No.: **29/705,088**  
(22) Filed: **Sep. 10, 2019**  
(51) **LOC (13) Cl.** ..... **07-02**  
(52) **U.S. Cl.**  
USPC ..... **D7/400**  
(58) **Field of Classification Search**  
USPC ..... D7/300, 387, 397, 399, 400, 401, 500,  
D7/533, 536, 560-565, 584, 585, 590,  
D7/600.1, 600.2, 600.4, 601, 602, 607,  
D7/608, 619.1, 667, 700, 704, 316-318;  
D6/677, 677.5, 680, 682; D9/416, 424,  
D9/425, 427-429, 438, 443, 447, 454,  
D9/500, 516, 520; D8/382, 396;  
D23/213, 259, 262; D24/224  
CPC .. A47J 31/00; A47J 31/02; A47J 31/06; A47J  
31/0605; A47J 31/061; A47J 31/0636;  
A47J 31/0642; A47J 31/0663; A47J  
31/0668; A47J 31/0689; A47J 31/08;  
A47J 31/20; A47J 31/44; A47J  
2031/0694; B65D 85/8043; B65D  
85/8046  
See application file for complete search history.

(56) **References Cited**  
U.S. PATENT DOCUMENTS  
1,879,820 A \* 9/1932 Perry ..... A47G 19/2205  
215/371  
D137,943 S \* 5/1944 Schlumbohm ..... D7/318  
2,414,901 A \* 1/1947 Schlumbohm ..... A47J 45/08  
215/396  
2,414,902 A \* 1/1947 Schlumbohm ..... A47J 45/08  
215/396

(Continued)

**OTHER PUBLICATIONS**

Chemex—Coffee Mug, first available Feb. 26, 2014, Amazon,  
[online], [site visited Apr. 29, 2021], Available from internet URL:  
<https://www.amazon.com/Chemex-Blown-Glass-Coffee-Ounce/dp/B00ICKV5CM> (Year: 2014).\*

(Continued)

*Primary Examiner* — Mary Ann Calabrese  
*Assistant Examiner* — Natalya M Rapundalo  
(74) *Attorney, Agent, or Firm* — Richard Kosakowski

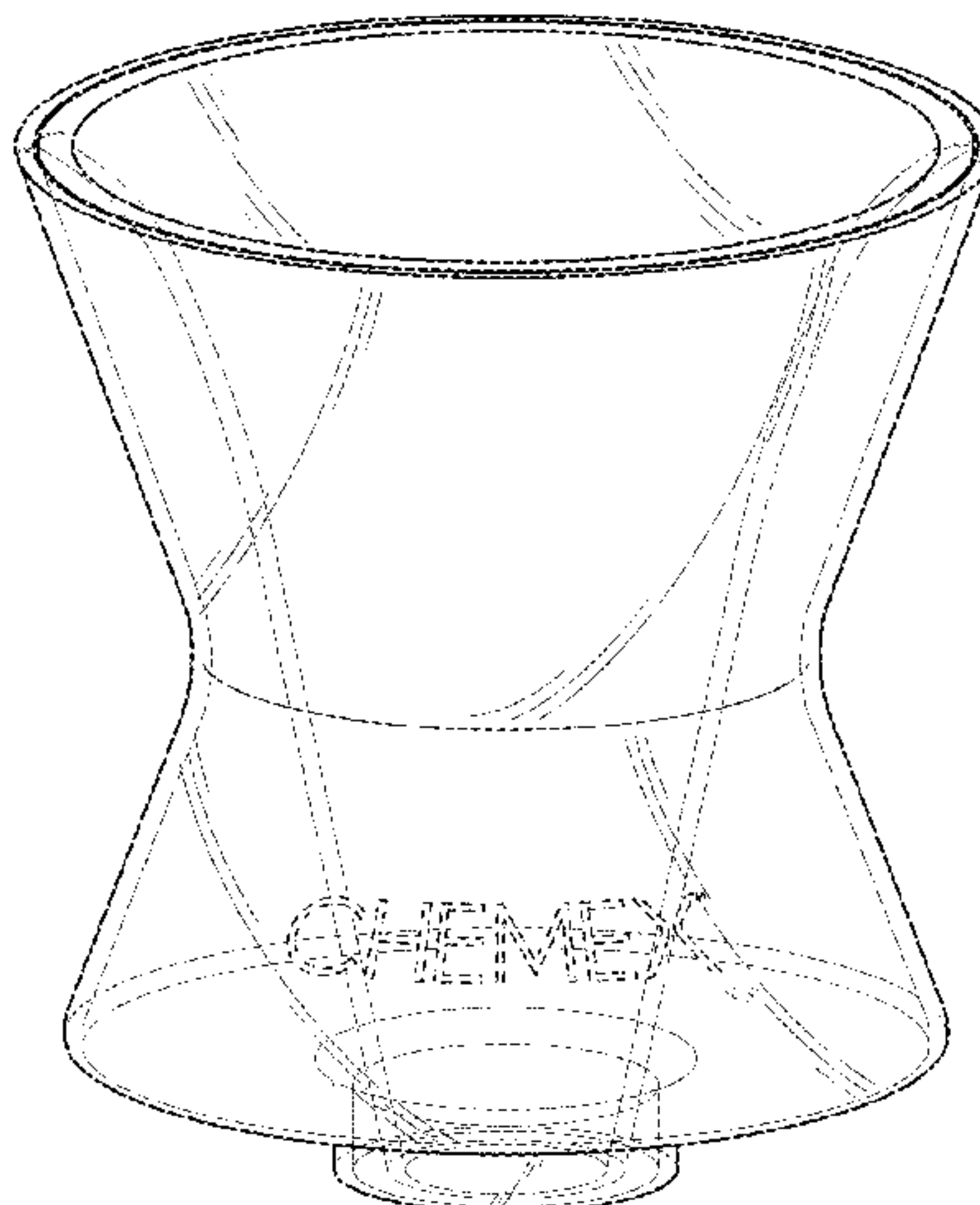
(57) **CLAIM**

The ornamental design for a single-cup brewer, as shown  
and described.

**DESCRIPTION**

FIG. 1 is a perspective view of our new design for a  
single-cup brewer;  
FIG. 2 is a top view of the single-cup brewer;  
FIG. 3 is a typical side view elevation of the single-cup  
brewer, excluding the broken lines. The side view is the  
same at any point around the periphery of the article;  
FIG. 4 is a cross-sectional view of the single-cup brewer  
taken along lines 4-4 of the side view elevation of FIG. 3;  
and,  
FIG. 5 is a bottom view of the single-cup brewer.  
The dashed broken lines in the drawings illustrate portions  
of the single-cup brewer that form no part of the claimed  
design. The dash dot broken lines in FIG. 3 illustrate a line  
along which a cross-sectional view is taken. The oblique  
dashed lines in FIG. 4 illustrate a cross section of transparent  
material.

**1 Claim, 5 Drawing Sheets**



(56)

References Cited

U.S. PATENT DOCUMENTS

2,705,086	A *	3/1955	Schlumbohm .....	A47J 45/10 215/396
D181,056	S *	9/1957	Jenkins .....	D9/504
D241,416	S *	9/1976	Aul et al. ....	D9/520
D426,047	S *	6/2000	Kurtz .....	D1/105
D533,951	S *	12/2006	Adams .....	D26/9
D552,992	S *	10/2007	Spencer .....	D9/454
D580,696	S *	11/2008	Bodum .....	D7/316
D580,697	S *	11/2008	Bodum .....	A47J 45/08 D7/316
D598,234	S *	8/2009	Bodum .....	A47J 45/08 D7/317
D616,262	S *	5/2010	Lundstrom .....	D7/679
D795,998	S *	8/2017	Gelardi .....	D23/209
D817,089	S *	5/2018	Gross .....	D7/397
D840,190	S *	2/2019	Schueler .....	A47G 19/2205 D7/400
D851,331	S *	6/2019	Grace .....	A47J 45/10 D28/18
D854,869	S *	7/2019	Pisarevsky .....	D7/316
D856,730	S *	8/2019	Pisarevsky .....	D7/300
D873,608	S *	1/2020	de Martrin-Donos .....	D7/400
D887,765	S *	6/2020	Henkel .....	D7/316
D908,445	S *	1/2021	Stuart .....	D7/619.1

OTHER PUBLICATIONS

Soma Carafe, first available Aug. 25, 2016, Amazon, [online], [site visited Apr. 29, 2021], Available from internet URL: <https://www.amazon.com/Soma-6-Cup-Water-Filter-Carafe/dp/B01150D75Q> (Year: 2016).\*

Chemex—Funnex, first available Feb. 20, 2020, Amazon, [online], [site visited Apr. 8, 2021], Available from internet URL: <https://www.amazon.com/Chemex-CHEMEX-Funnex/dp/B084RJPXWH> (Year: 2020).\*

Funnex, Chemex, publication date not available, [online], [site visited Apr. 8, 2021], Available from internet URL: <https://www.chemexcoffeemaker.com/funnex.html> (Year: 2021).\*

“Kalita Wave Drippers,” <https://prima-coffee.com/equipment/kalita/wave-dripper>, Jun. 2019 (7 pages).

“Hario V60 Coffee Dripper,” <https://prima-coffee.com/equipment/hario/v60-02>, Jun. 2019 (6 pages).

“Fellow Stag Pour-Over Dripper,” <https://fellowproducts.com/shop/staggdripper/>, Jun. 2019 (5 pages).

“Melitta Pour-Over Coffeemakers,” <https://shoponline.melitta.com/items/pour-over-coffee-makers?perPage=all>, Jun. 2019 (6 pages).

\* cited by examiner

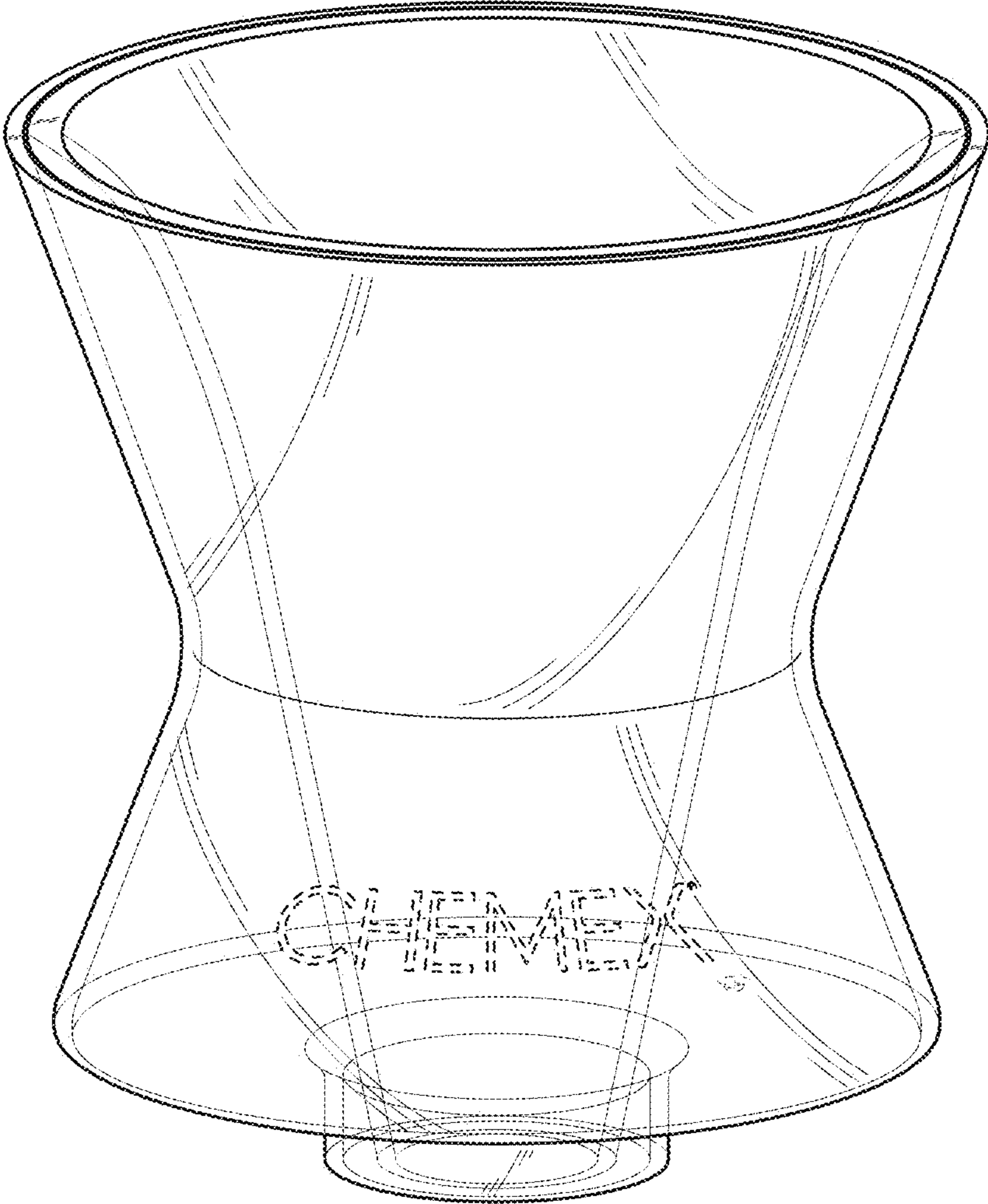


FIG. 1



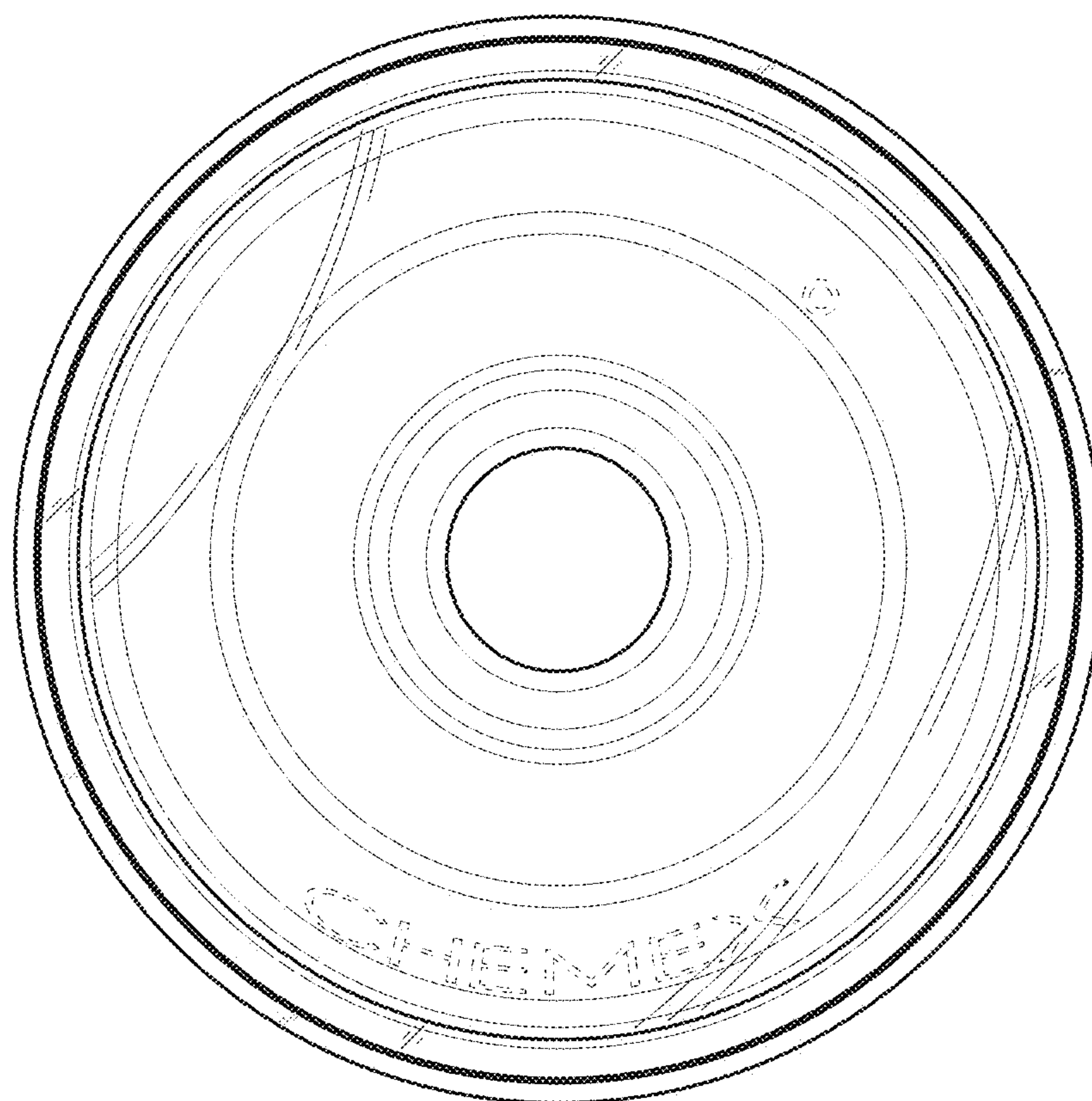


FIG. 2

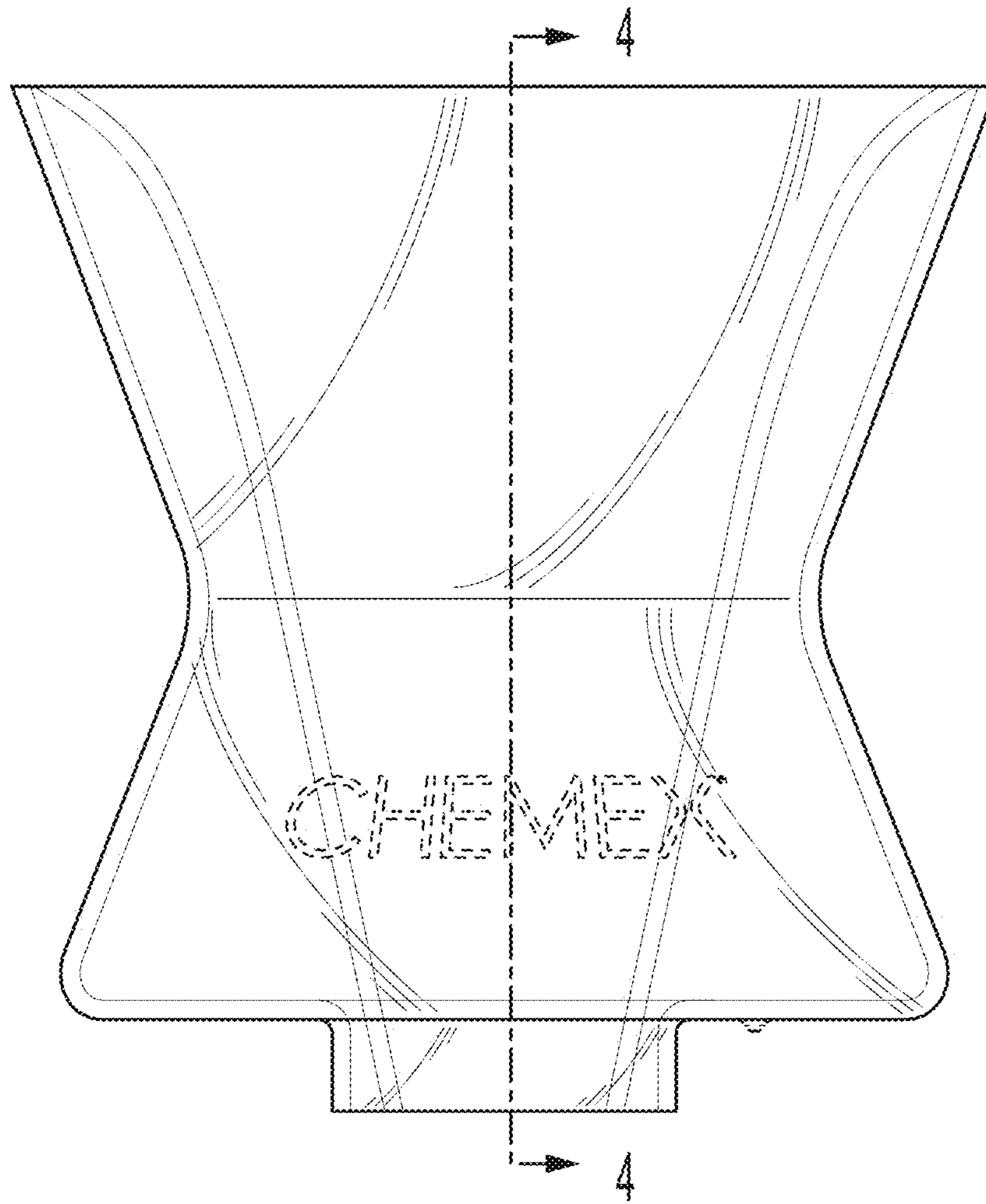


FIG. 3

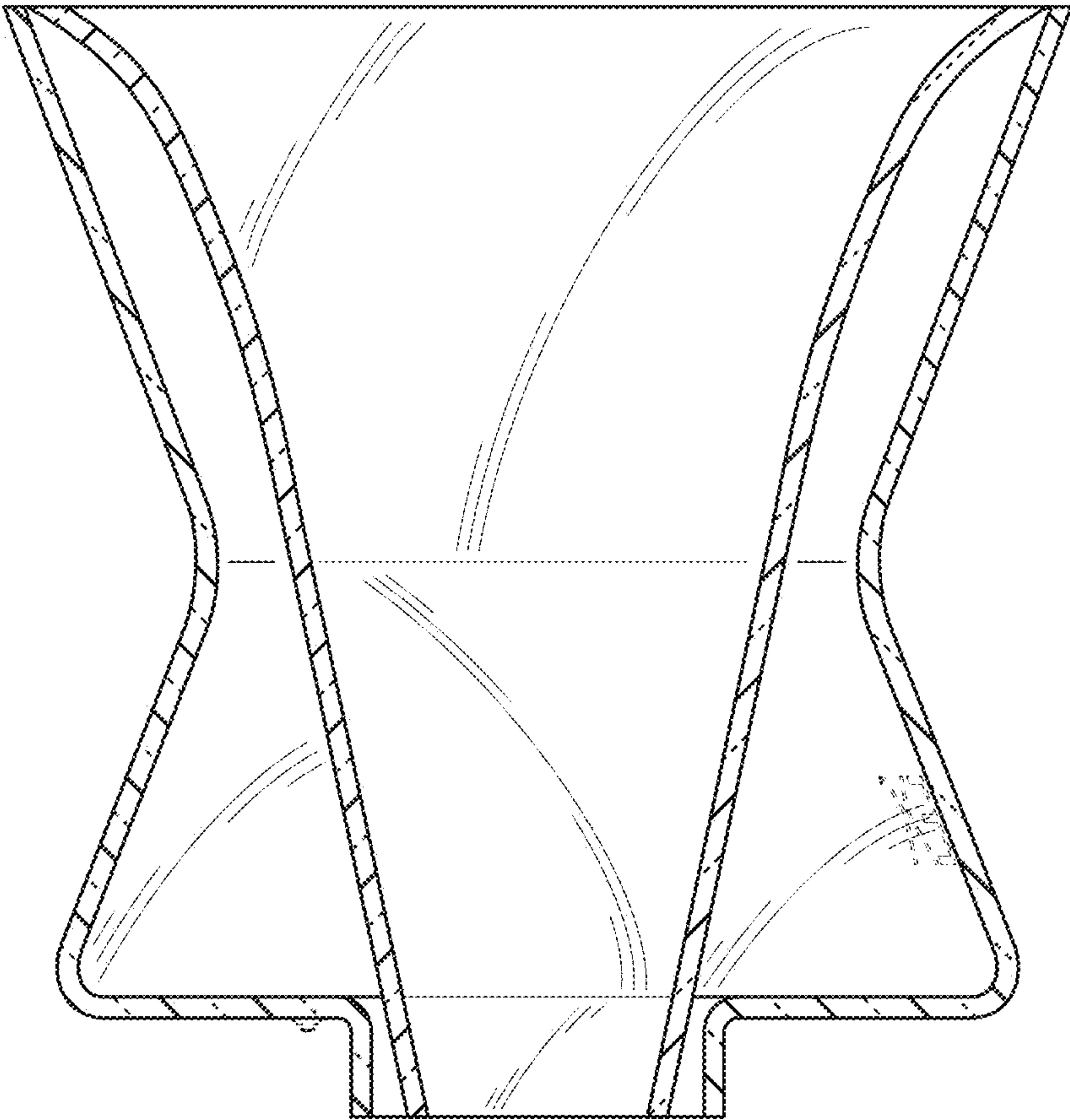


FIG. 4

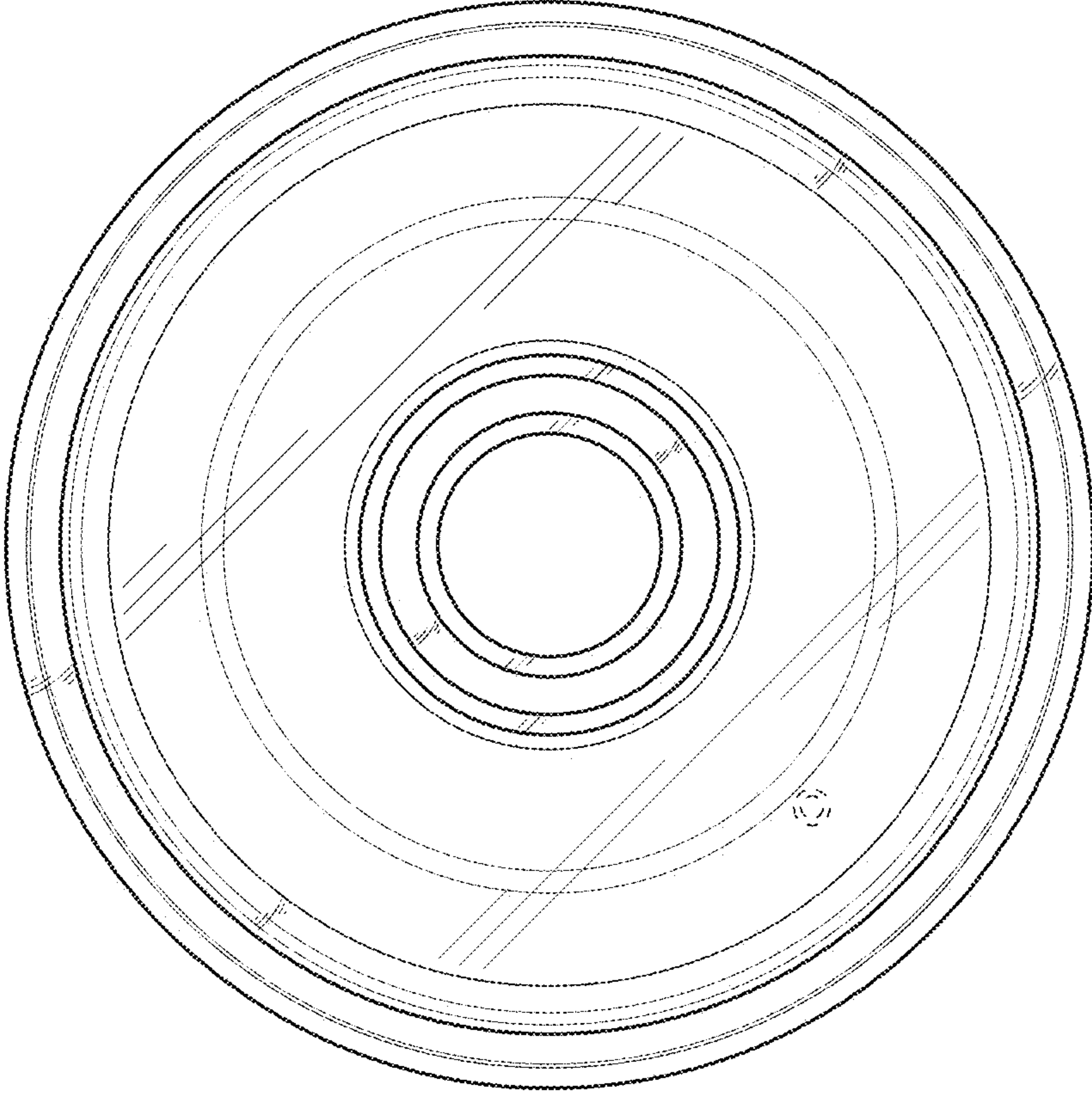


FIG. 5