



US00D927926S

(12) **United States Design Patent** (10) **Patent No.:** **US D927,926 S**  
**Jin et al.** (45) **Date of Patent:** **\*\* Aug. 17, 2021**

(54) **LID FOR BEVERAGE CONTAINER**

(71) Applicant: **Cenpak Holdings Ltd.**, Toronto (CA)

(72) Inventors: **Ye Jin**, Toronto (CA); **Siwei Shen**, Toronto (CA)

(73) Assignee: **CENPAK HOLDINGS LTD.**, Toronto (CA)

(\*\*) Term: **15 Years**

(21) Appl. No.: **29/735,437**

(22) Filed: **May 21, 2020**

(51) **LOC (13) Cl.** ..... **07-01**

(52) **U.S. Cl.**  
USPC ..... **D7/392.1**

(58) **Field of Classification Search**  
USPC ..... D7/392, 392.1, 396.1, 396.2, 397, 509,  
D7/510, 533, 619.1, 622; D9/435, 443,  
D9/516  
CPC ..... A47G 19/2272; B65D 47/066; B65D  
47/2037  
See application file for complete search history.

(56) **References Cited**

**U.S. PATENT DOCUMENTS**

D277,937 S *	3/1985	Fortuna	.....	D9/447
D346,718 S *	5/1994	Timmermans	.....	D7/391
D372,426 S *	8/1996	Garnett	.....	D9/447
D433,275 S *	11/2000	Betras	.....	D7/392.1
6,224,253 B1 *	5/2001	Dixon	.....	A47J 43/27 366/247
D618,050 S *	6/2010	Eisenhardt	.....	D7/392.1
D815,890 S *	4/2018	Boroski	.....	D9/436
D873,603 S *	1/2020	Diener	.....	D7/392.1
D896,026 S *	9/2020	Chu	.....	D7/396.2
D903,409 S *	12/2020	Yeung	.....	D7/392.1
2015/0144628 A1 *	5/2015	Piper	.....	B29D 99/0096 220/212
2018/0317684 A1 *	11/2018	Hung	.....	B65D 43/0231
2020/0085217 A1 *	3/2020	Heiberger	.....	B65O 47/243

**OTHER PUBLICATIONS**

“Dodoko: Boba Cup and Smoothie Tumbler”. Found online Apr. 16, 2021 at amazon.com. Reference dated Jul. 25, 2020. Retrieved from

<https://www.amazon.com/Okchi-Leakproof-Resealable-Stainless-Dishwasher/dp/B08DMBF9L5>.\*

“Stojo Collapsible/Sealing Coffee Cup with Straw”. Found online Apr. 16, 2021 at amazon.com. Reference dated May 3, 2019. Retrieved from [https://www.amazon.com/dp/B07RJG8GTQ/ref=sspa\\_dk\\_detail\\_4?](https://www.amazon.com/dp/B07RJG8GTQ/ref=sspa_dk_detail_4?).\*

“MommyLove: Collapsible Cups with Handle & Straw”. Found online Apr. 16, 2021 at amazon.com. Reference dated Oct. 21, 2020. Retrieved from <https://www.amazon.com/MommyLove-Collapsible-Handle-Silicone-Foldable/dp/B08HPH46Q3>.\*

\* cited by examiner

*Primary Examiner* — Kendra Leslie Hamilton

(74) *Attorney, Agent, or Firm* — Blue Filament Law PLLC

(57) **CLAIM**

The ornamental design for a lid for beverage container, as shown and described.

**DESCRIPTION**

FIG. 1 is a top, front, right perspective view of a lid for beverage container, showing our new design in an open configuration;

FIG. 2 is a front elevation view thereof;

FIG. 3 is a rear elevation view thereof;

FIG. 4 is a left side elevation view thereof;

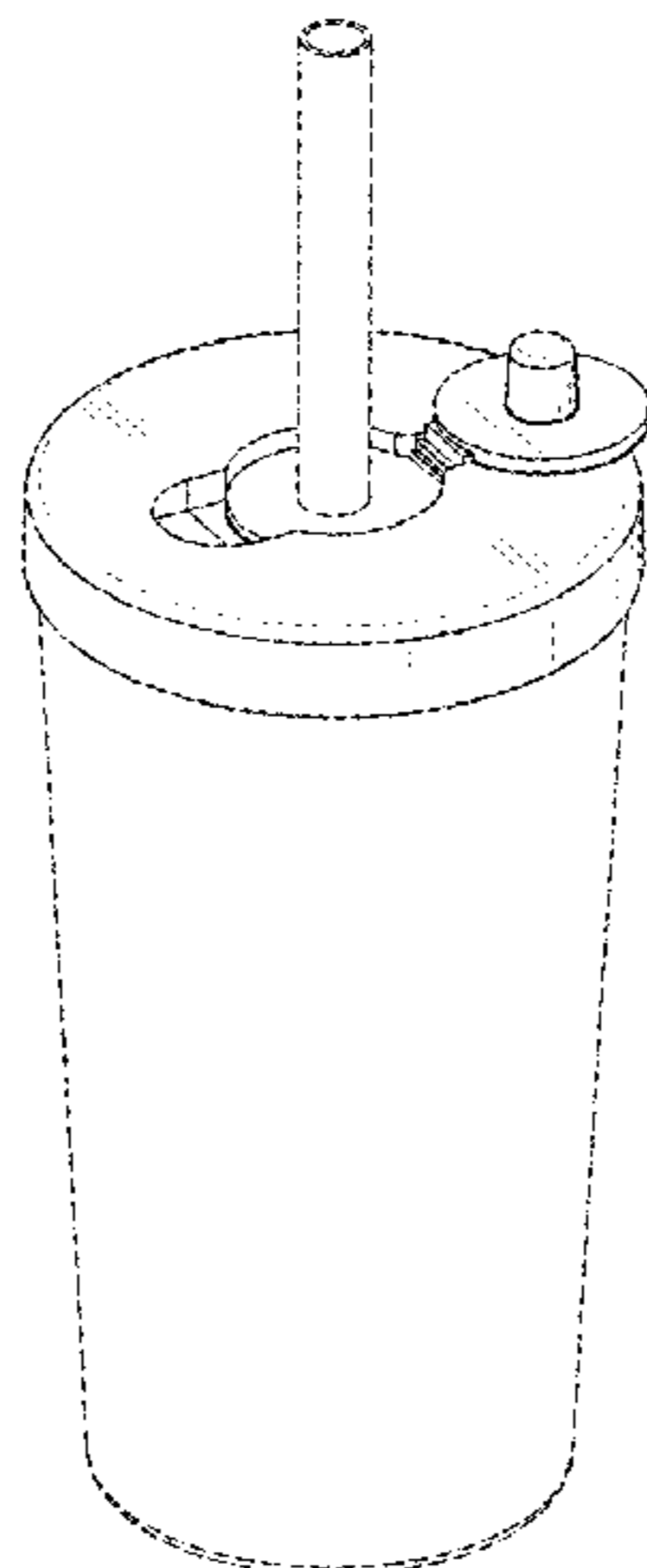
FIG. 5 is a right side elevation view thereof;

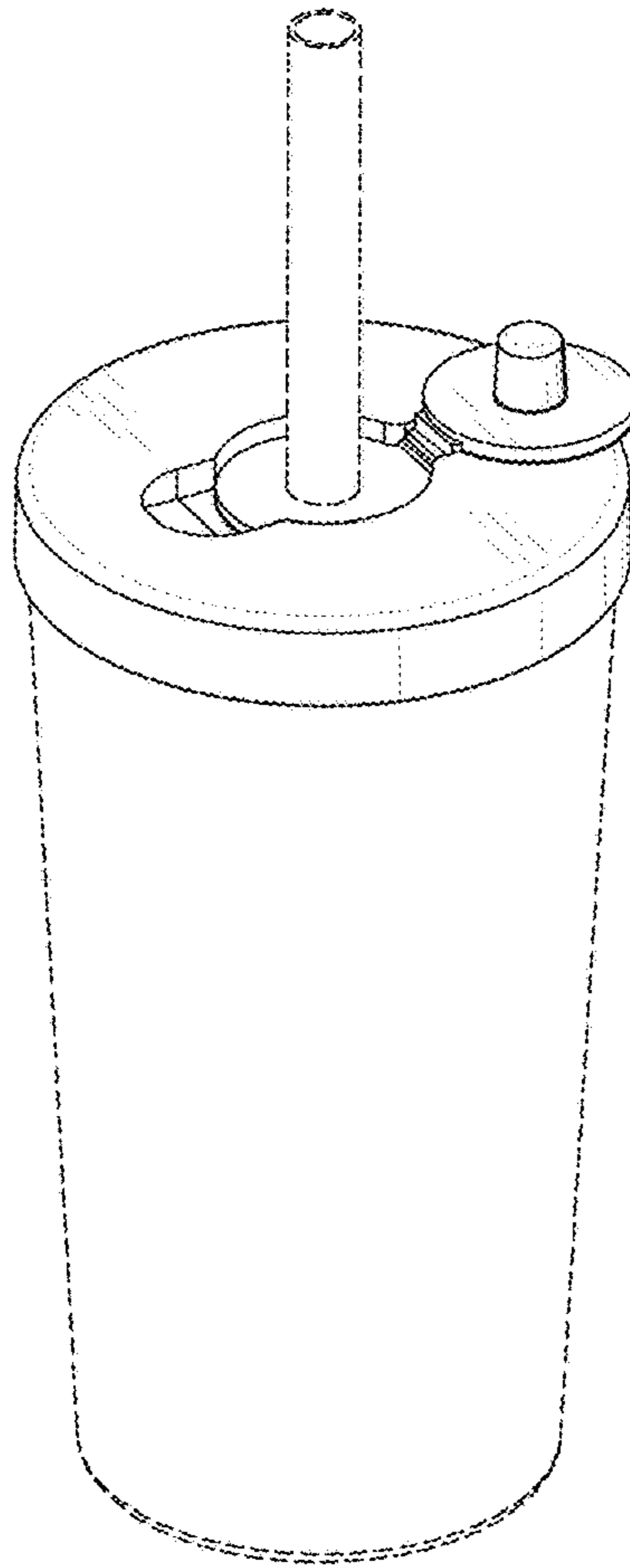
FIG. 6 is a bottom plan view thereof; and,

FIG. 7 is a bottom plan view thereof.

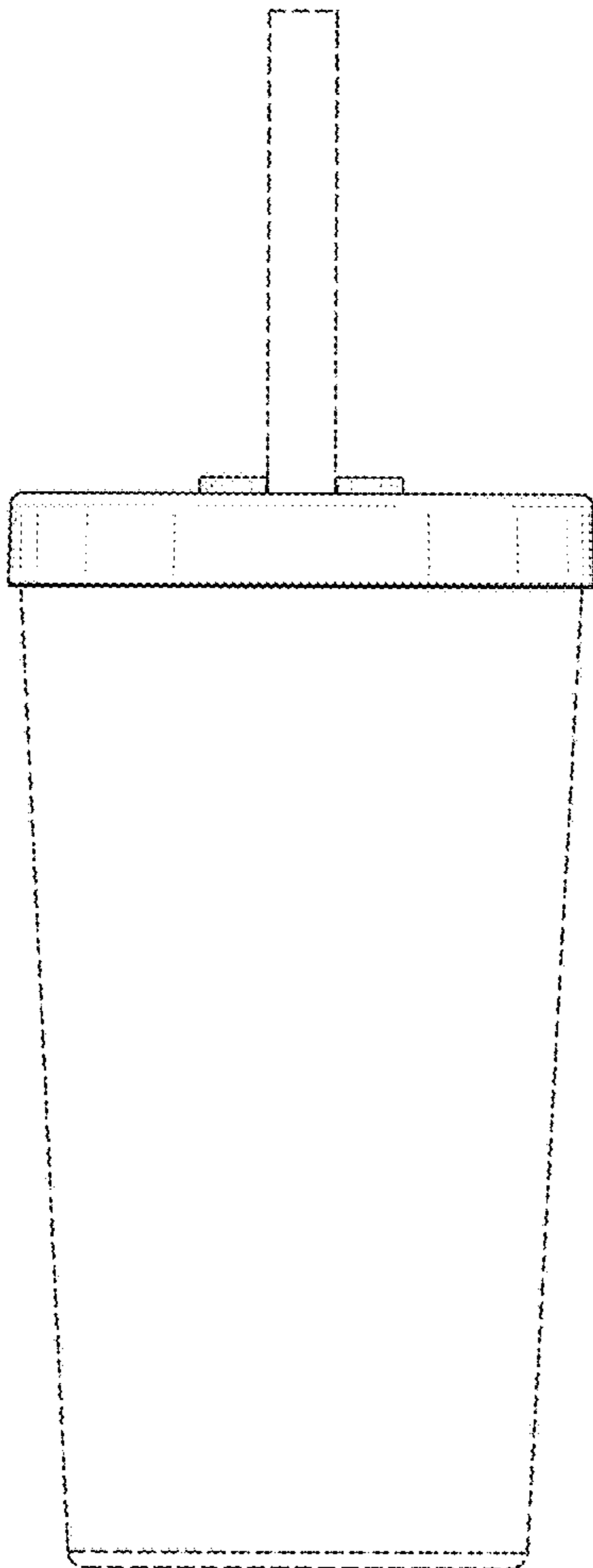
In the drawings, the broken lines showing a joinable cup and straw depict environmental elements that form no part of the claimed design.

**1 Claim, 2 Drawing Sheets**

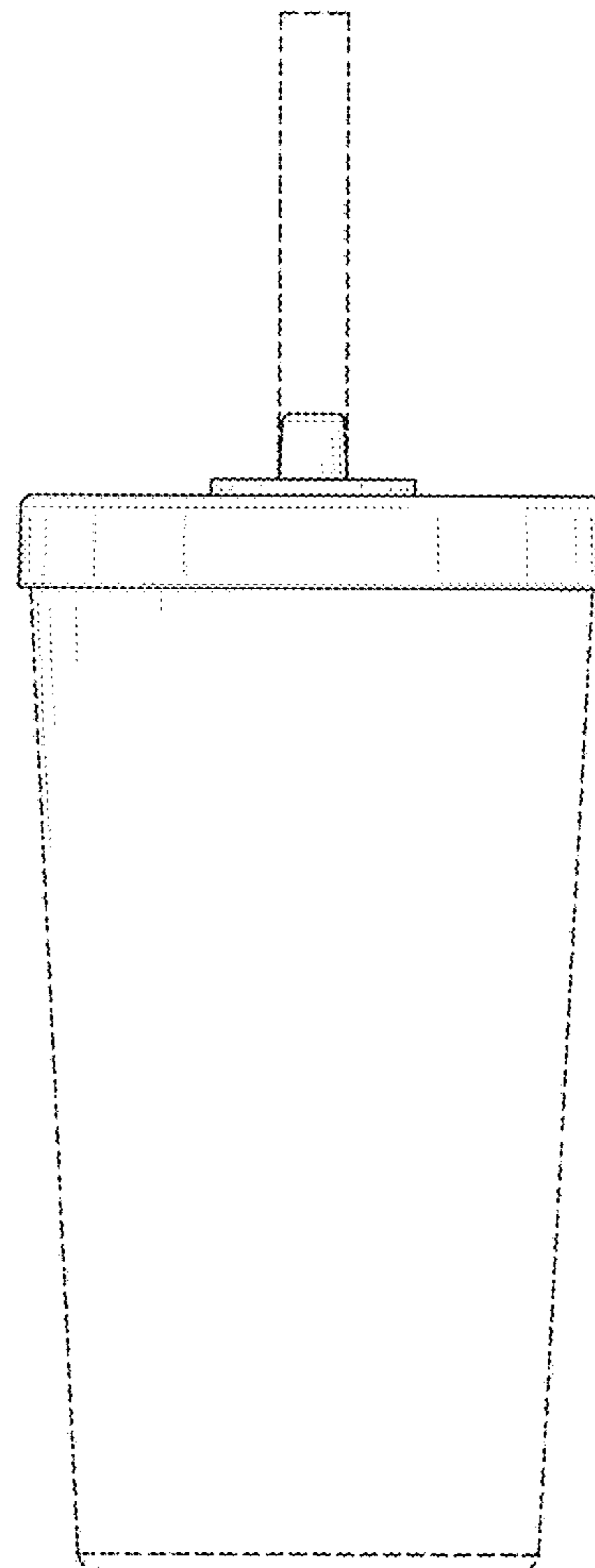




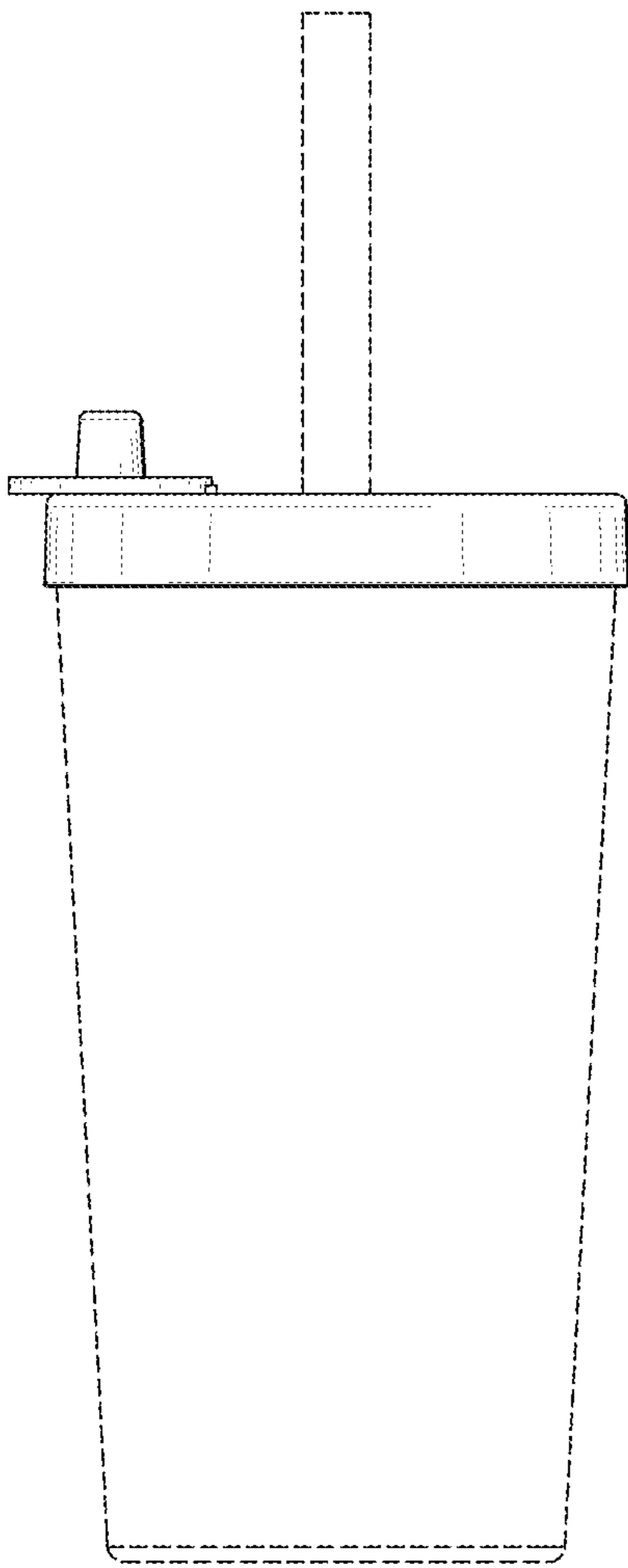
**FIG. 1**



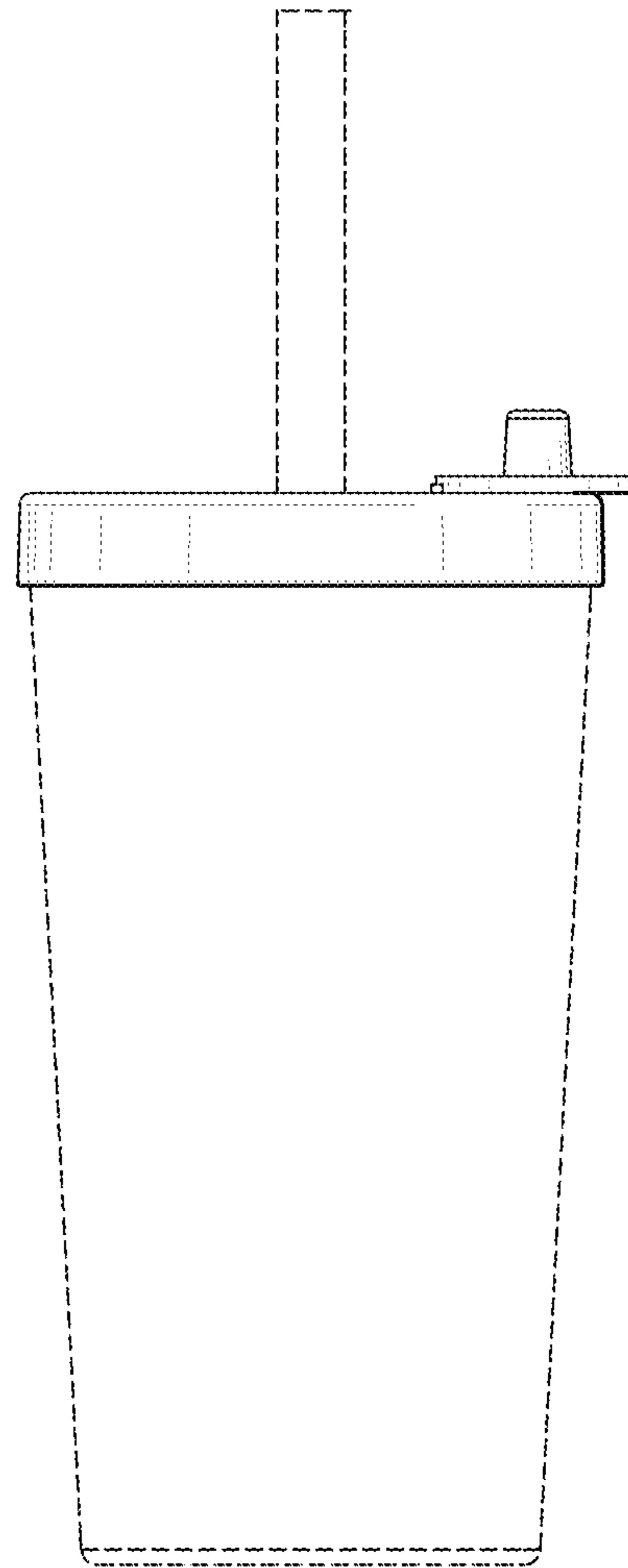
**FIG. 2**



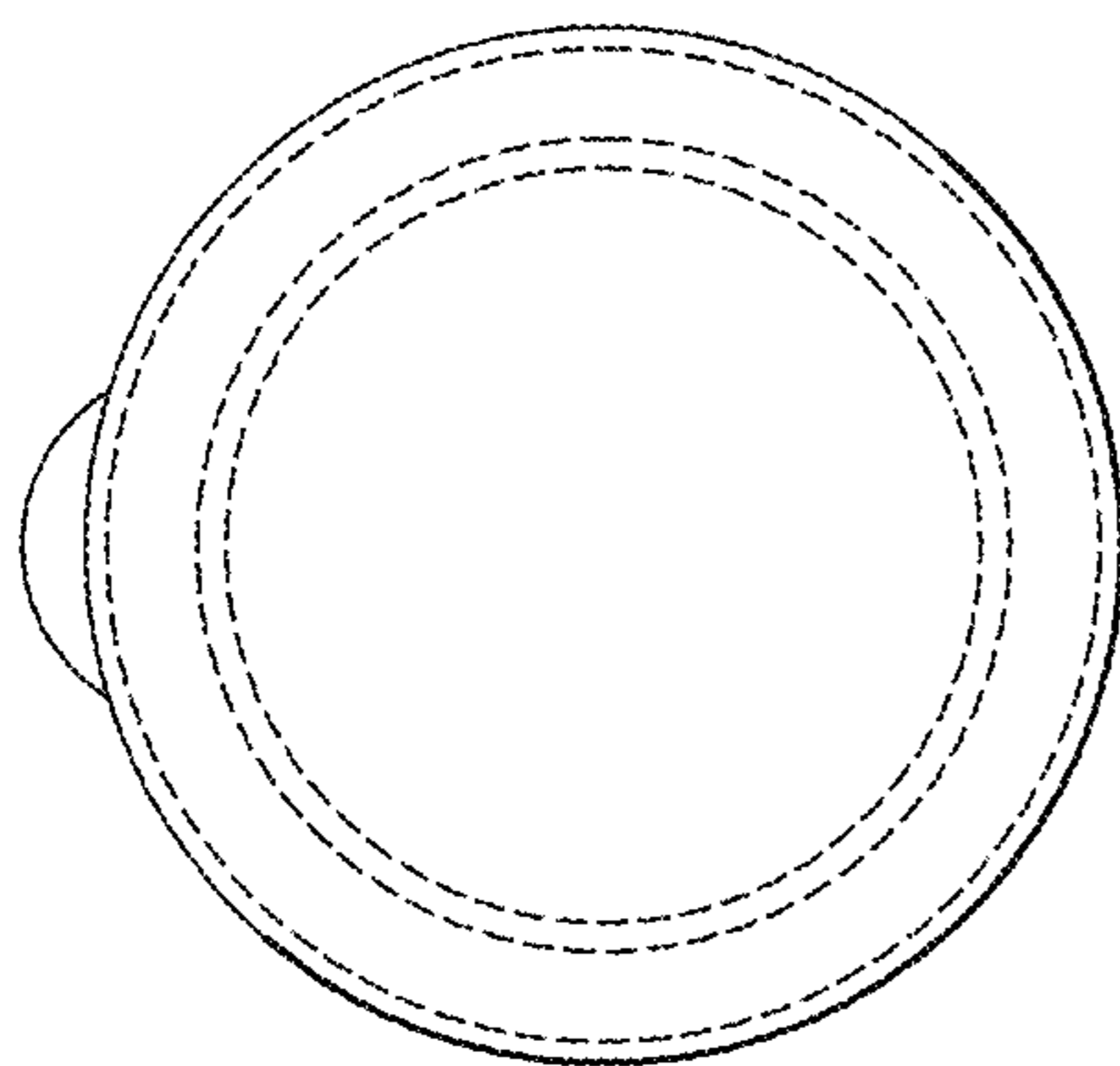
**FIG. 3**



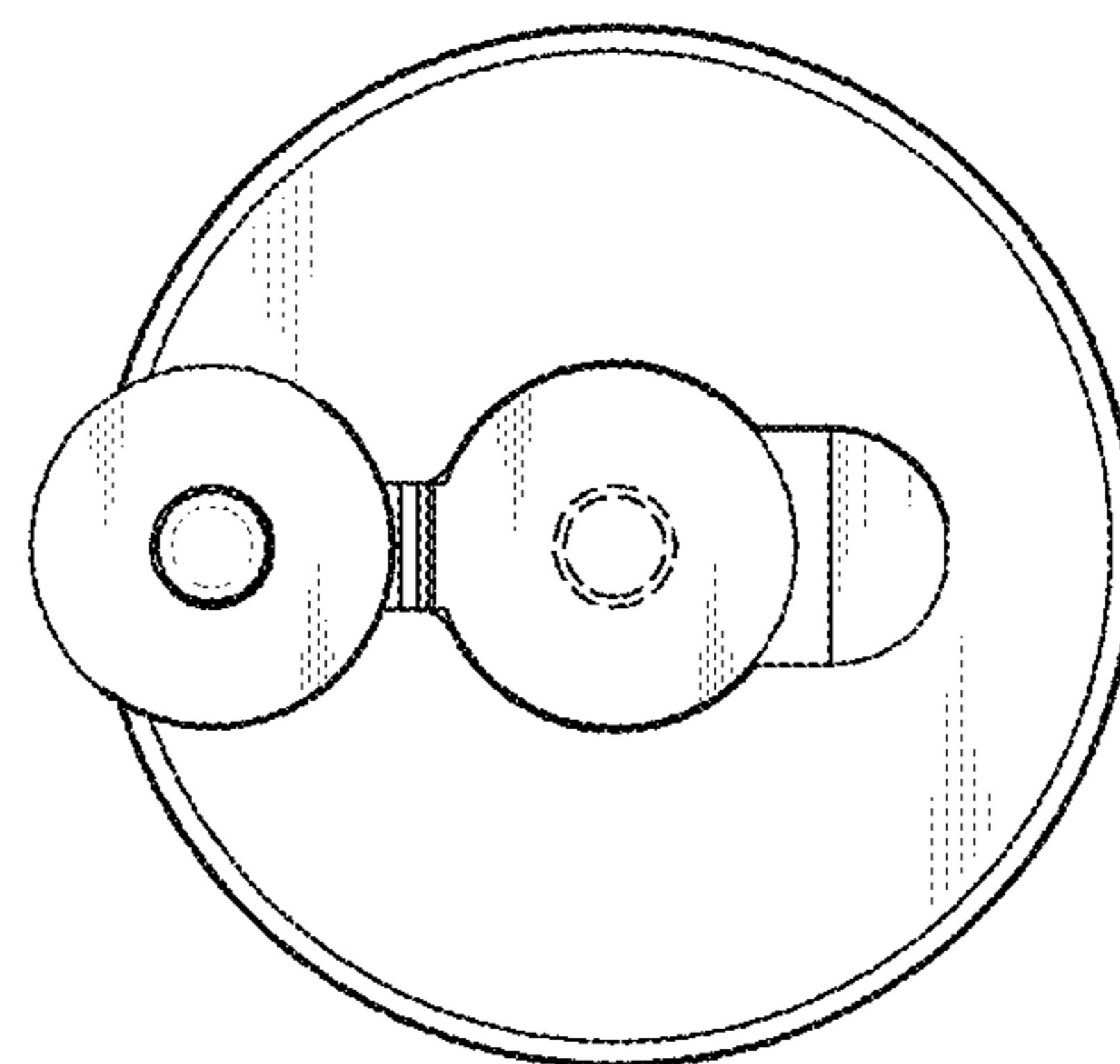
**FIG. 4**



**FIG. 5**



**FIG. 6**



**FIG. 7**