



US00D927924S

(12) **United States Design Patent** (10) **Patent No.:** **US D927,924 S**
Lane et al. (45) **Date of Patent:** **** Aug. 17, 2021**

(54) **BEVERAGE CONTAINER**

(56) **References Cited**

(71) Applicant: **THERMOS L.L.C.**, Schaumburg, IL (US)

U.S. PATENT DOCUMENTS

8,550,269 B2 *	10/2013	Lane	B65D 47/0885	215/229
D695,069 S *	12/2013	Lane	D7/510	
D739,183 S *	9/2015	Lane	D7/605	
D817,713 S *	5/2018	Lin	D7/510	
10,370,171 B1 *	8/2019	Krenz	A47G 23/16	
2013/0206717 A1 *	8/2013	Lane	A47J 31/18	215/6

(72) Inventors: **Marvin Lane**, Wheeling, IL (US);
Dwayne Boroski, Lake in the Hills, IL (US); **Freddy Aranda**, Chicago, IL (US)

(73) Assignee: **THERMOS L.L.C.**, Schaumburg, IL (US)

(**) Term: **15 Years**

OTHER PUBLICATIONS

Design U.S. Appl. No. 29/665,465, filed Oct. 3, 2018; 34 pgs.
Design U.S. Appl. No. 29/643,674, filed Apr. 10, 2018; 33 pgs.
Design U.S. Appl. No. 29/643,611, filed Apr. 10, 2018; 23 pgs.

(21) Appl. No.: **29/706,880**

* cited by examiner

(22) Filed: **Sep. 24, 2019**

Related U.S. Application Data

Primary Examiner — Terry A Wallace

(63) Continuation-in-part of application No. 29/665,465, filed on Oct. 3, 2018, now abandoned, which is a continuation-in-part of application No. 29/643,674, filed on Apr. 10, 2018, now abandoned.

(74) *Attorney, Agent, or Firm* — Polsinelli PC

(51) **LOC (13) Cl.** **07-01**

(57) **CLAIM**

The ornamental design for a beverage container, as shown and described.

(52) **U.S. Cl.**

USPC **D7/392**; D7/608

DESCRIPTION

(58) **Field of Classification Search**

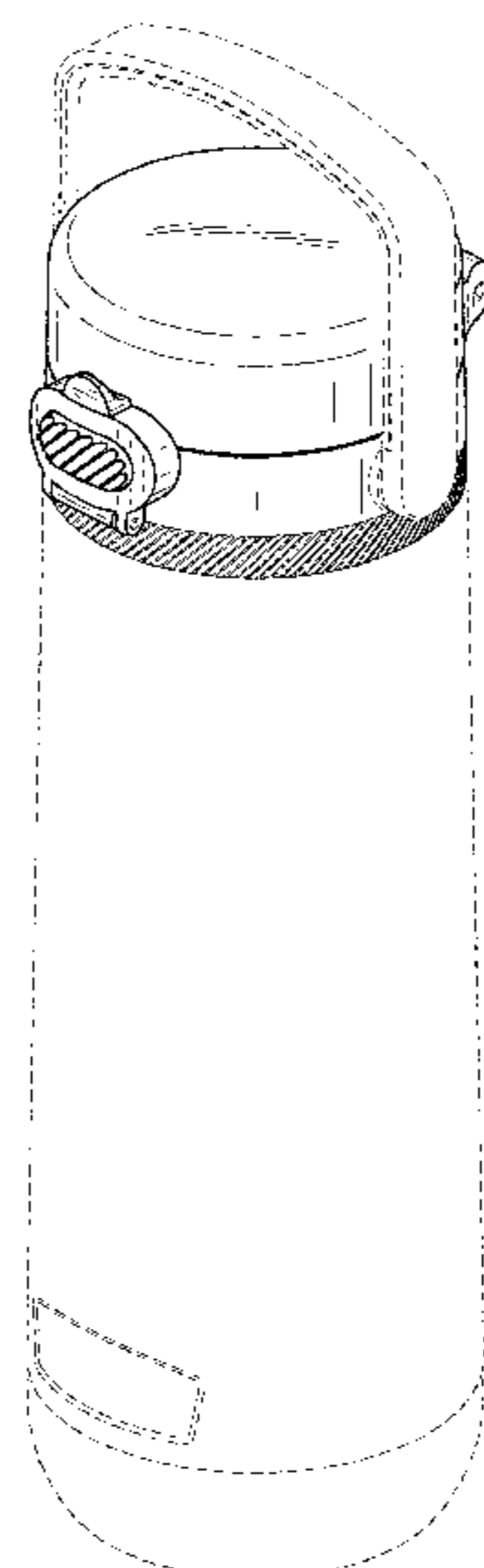
USPC D7/605–608, 509–511, 392, 392.1;
D9/500–505, 516, 452–454, 435, 447,
D9/449

CPC B65D 81/3837; B65D 81/3839; B65D 81/3841; B65D 81/3844; B65D 81/3846; B65D 81/3869; B65D 81/3881; B65D 81/3876; B65D 2517/0049; A47J 41/0005; A47J 41/0083; A47J 41/02; A47J 41/024; A47J 41/026; A47J 41/028; A47J 41/0077; A47J 41/00; A47J 41/022; F25D 2331/803; F25D 3/08; A45C 11/20; A47G 21/18; A61J 7/0038

FIG. 1 is a perspective view of a beverage container showing our new design;
FIG. 2 is lower perspective view of the beverage container;
FIG. 3 is a front view of the beverage container;
FIG. 4 is a rear view of the beverage container;
FIG. 5 is a left side view of the beverage container;
FIG. 6 is a right side view of the beverage container;
FIG. 7 is a top view of the beverage container; and,
FIG. 8 is a bottom view of the beverage container.
The broken lines showing in the figures are included for the purpose of illustrating portions of the beverage container that form no part of the claimed design.

See application file for complete search history.

1 Claim, 7 Drawing Sheets



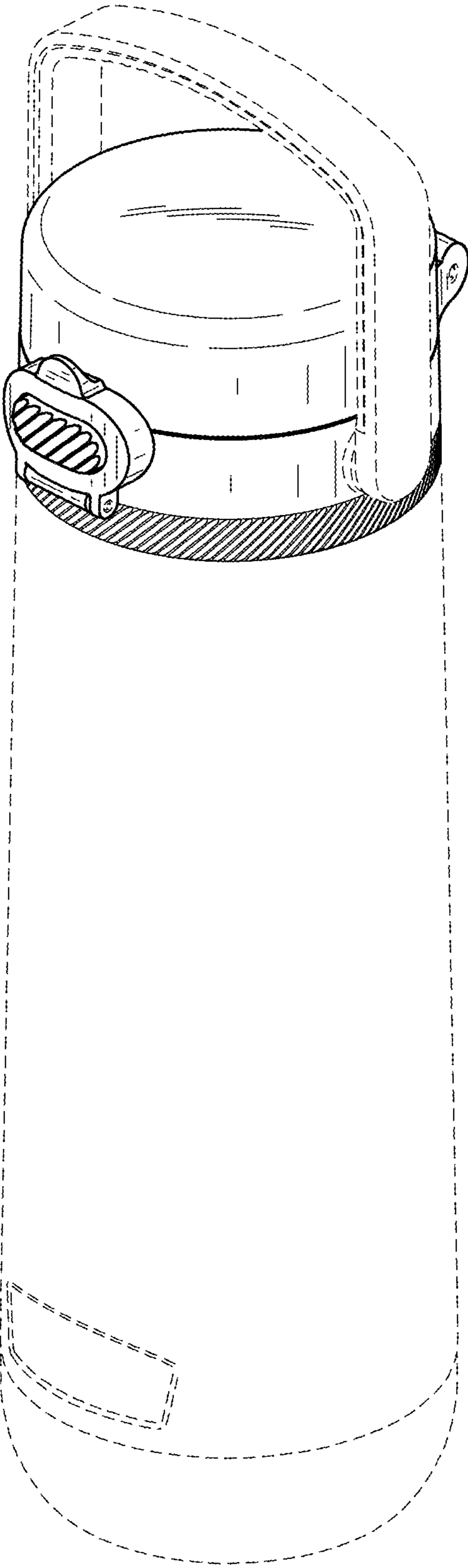
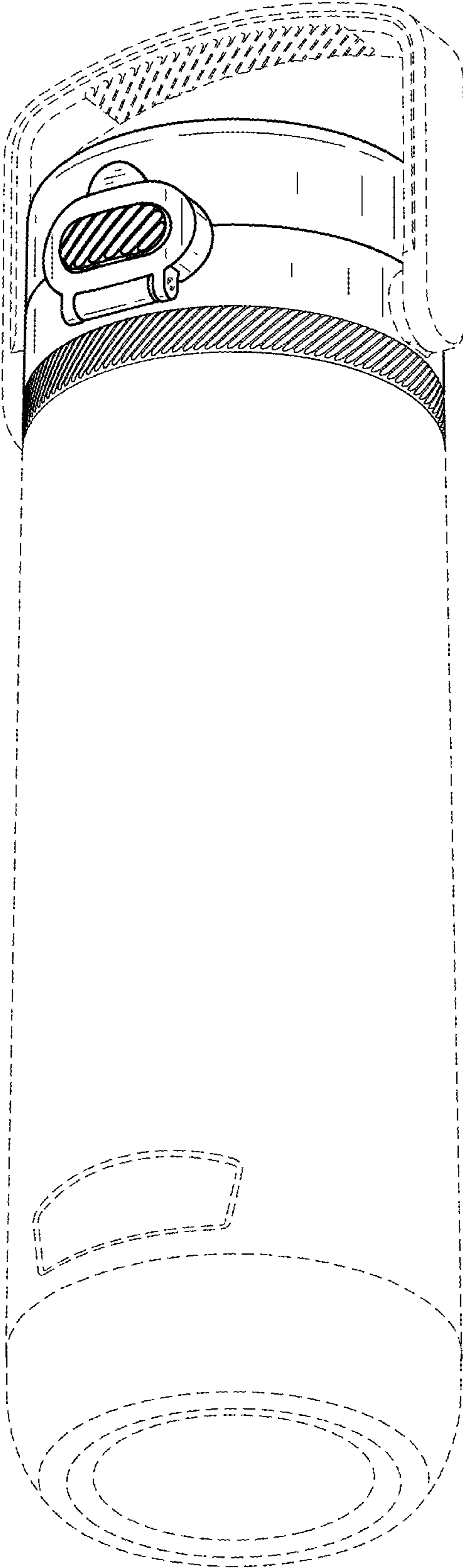


FIG. 1

FIG. 2



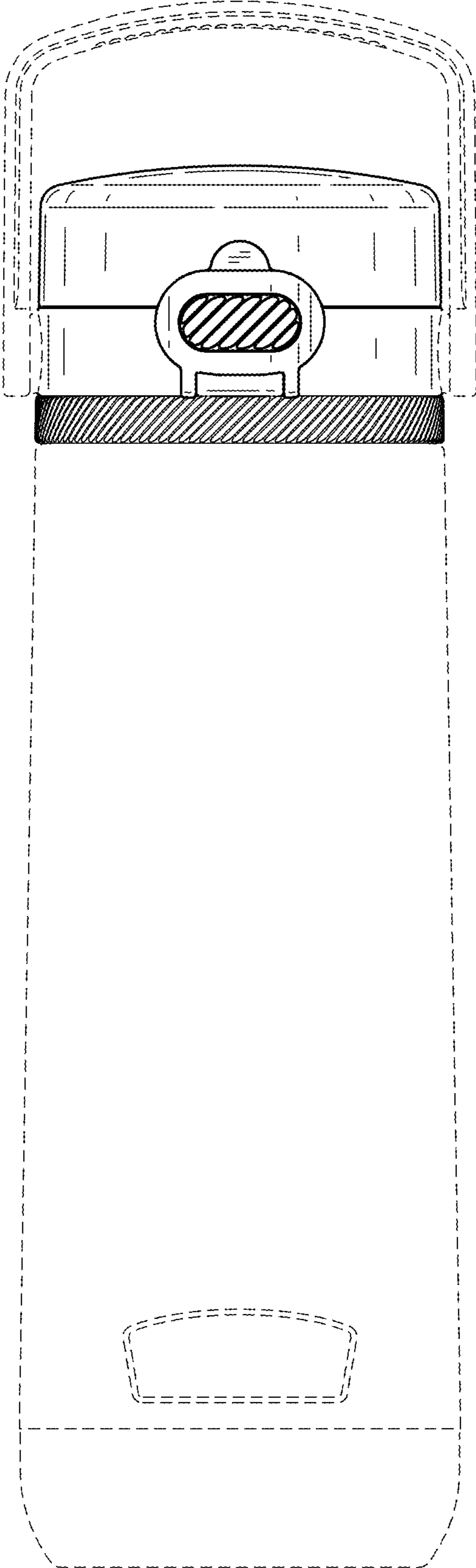


FIG. 3

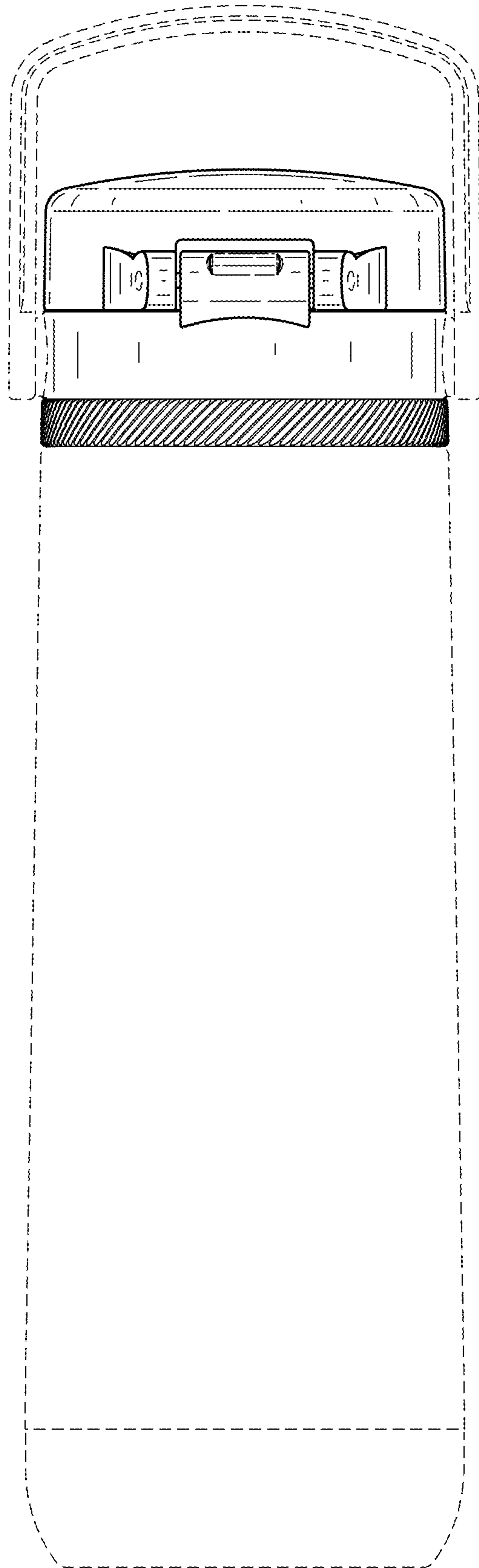


FIG. 4

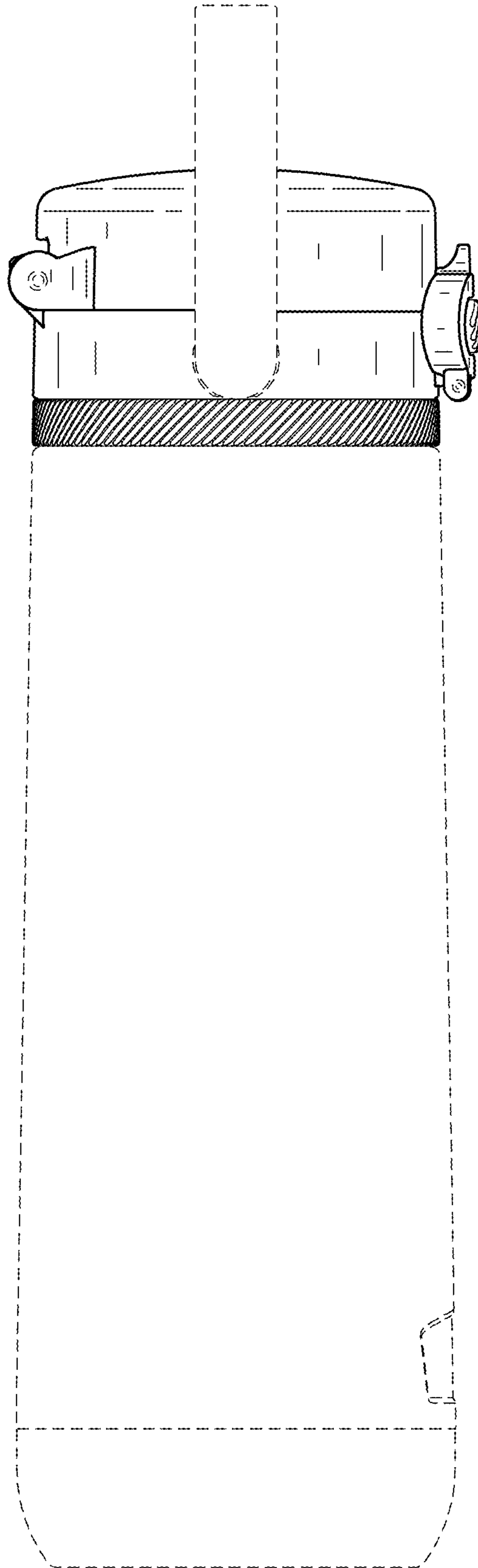


FIG. 5

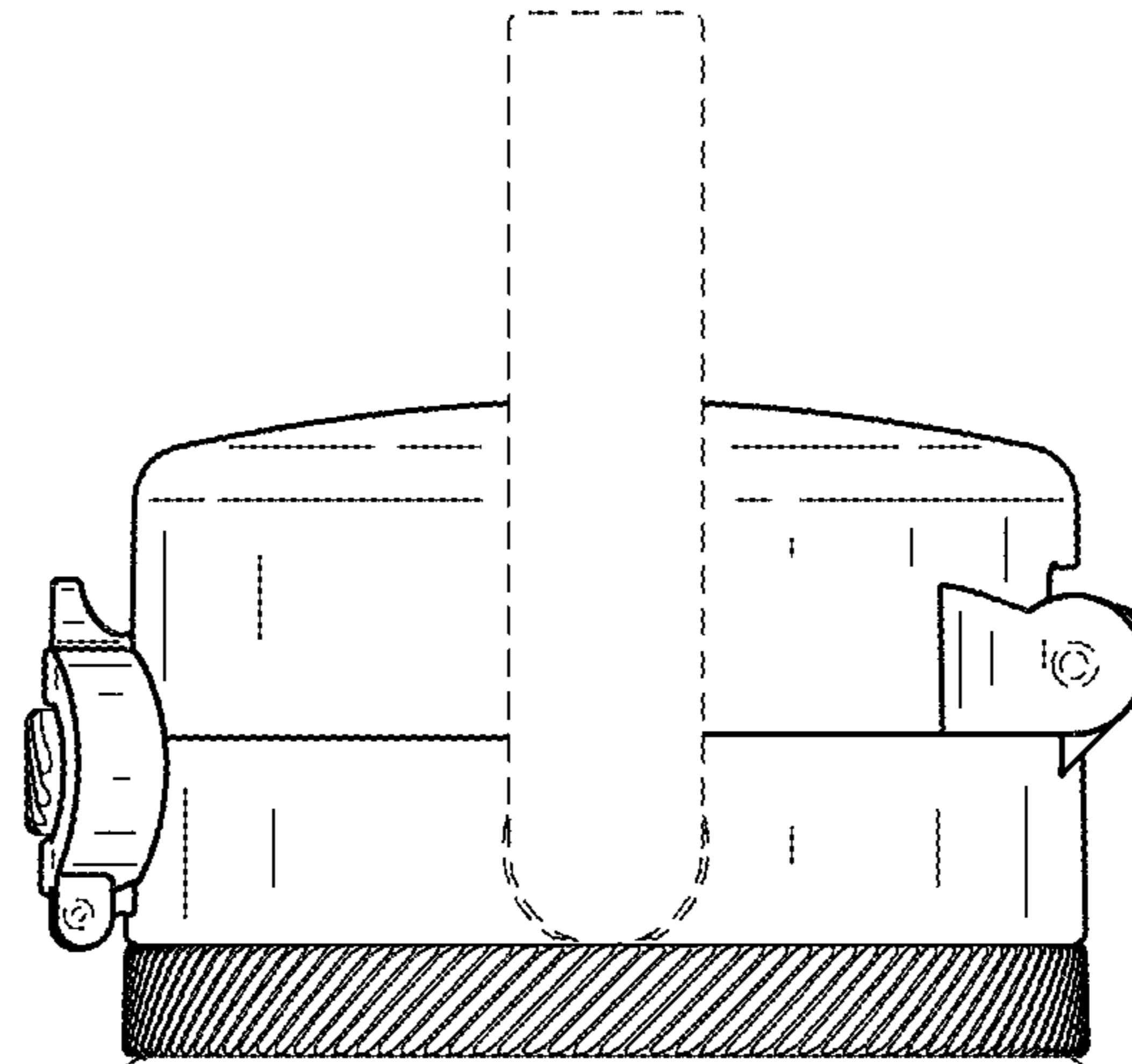
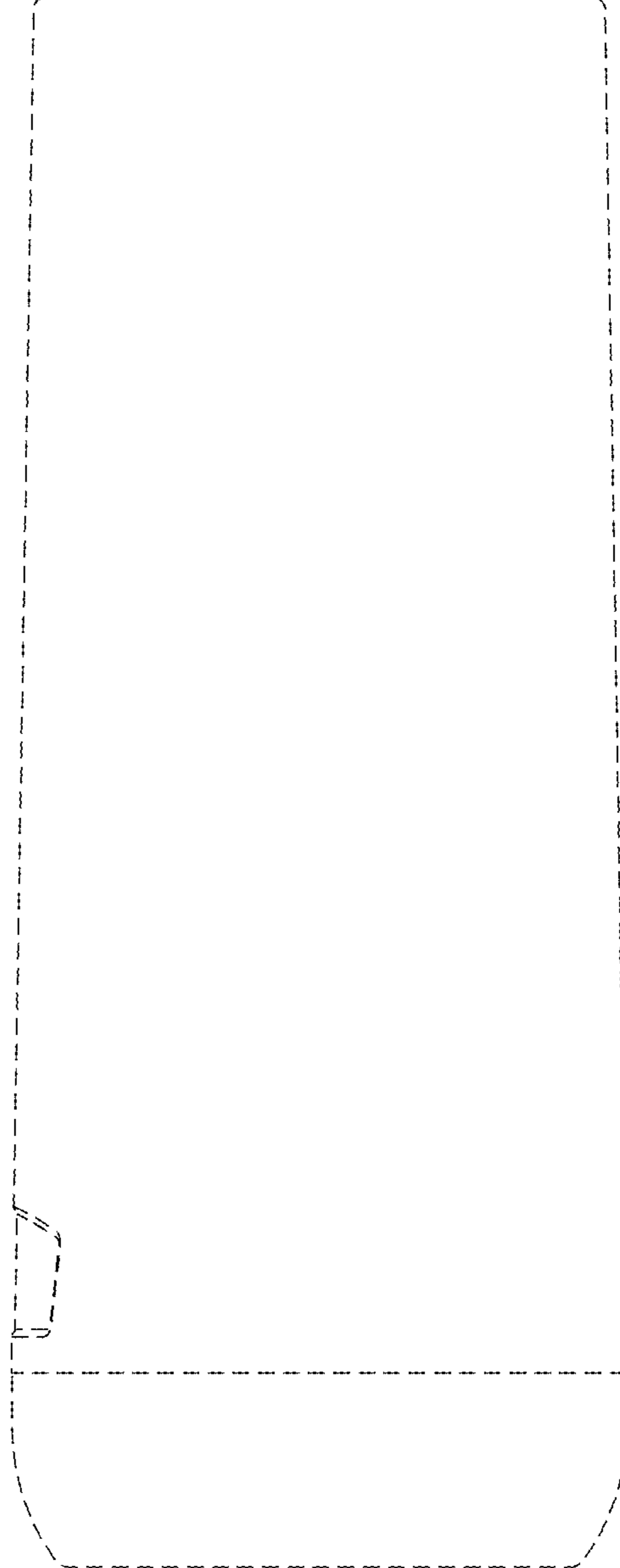


FIG. 6



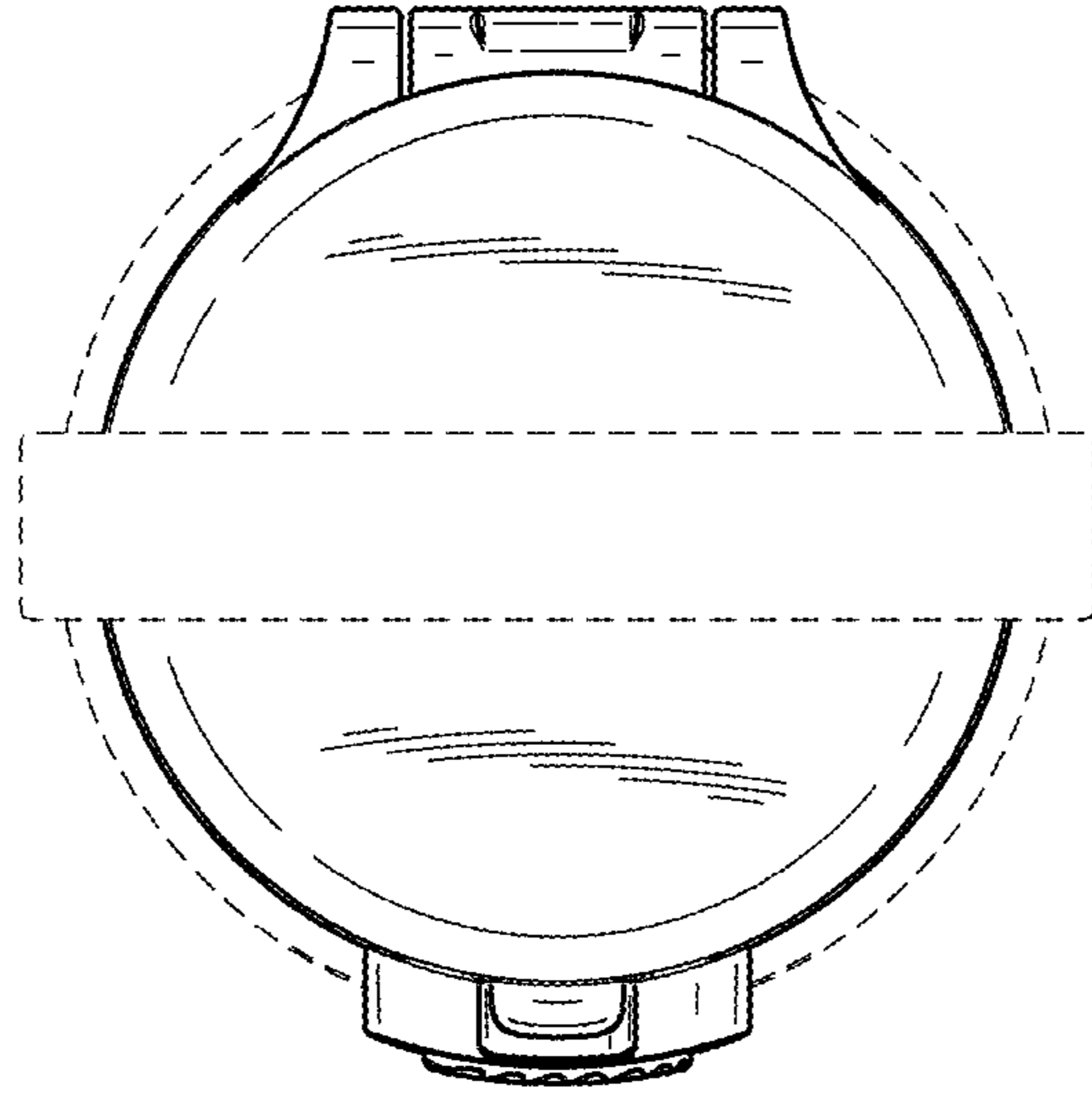


FIG. 7

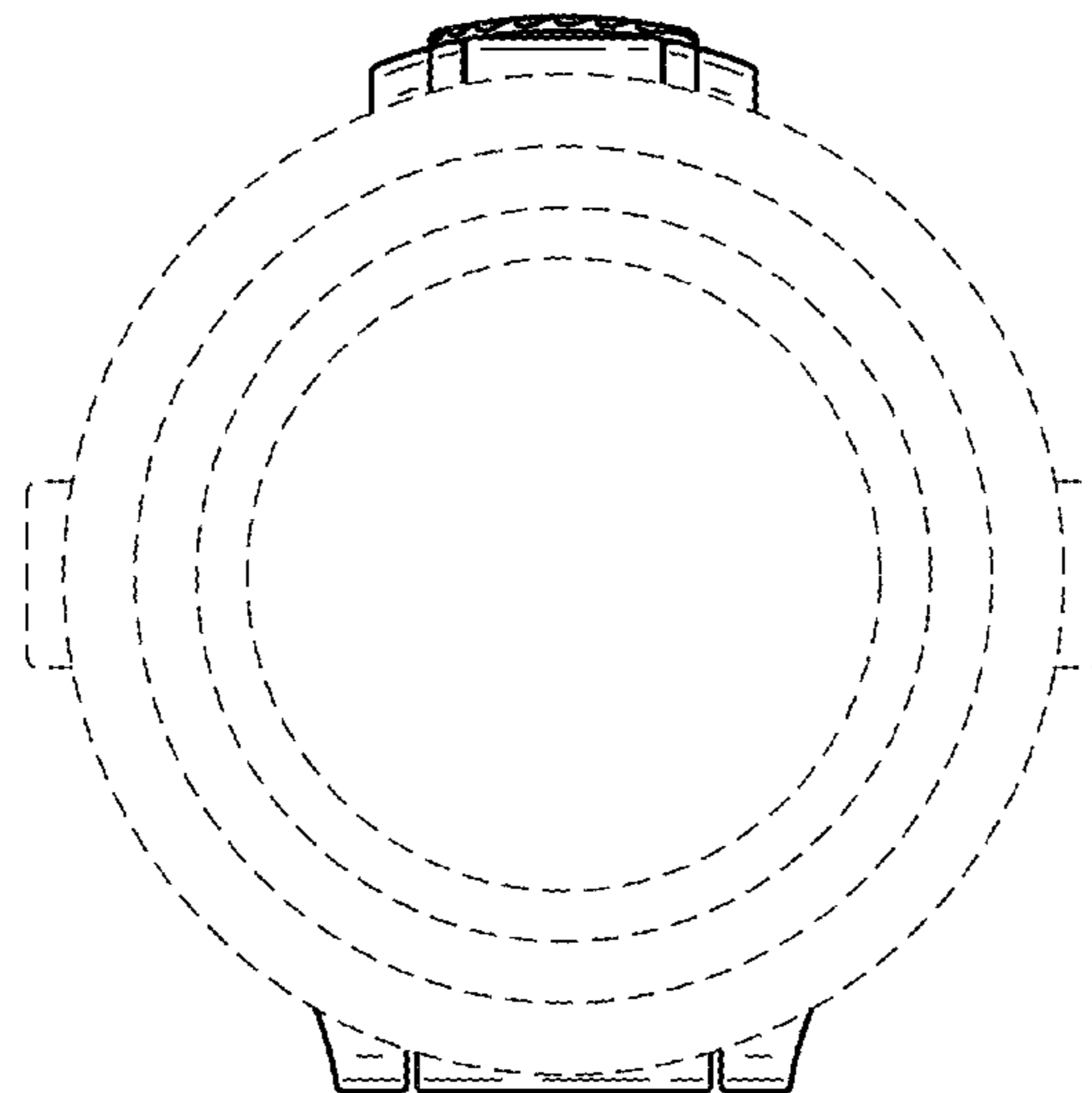


FIG. 8