



US00D927920S

(12) **United States Design Patent**
Yoo et al.

(10) **Patent No.:** **US D927,920 S**

(45) **Date of Patent:** **** Aug. 17, 2021**

(54) **BABY FORMULA MAKER**

(71) Applicant: **LG ELECTRONICS INC.**, Seoul (KR)

(72) Inventors: **Taewoo Yoo**, Seoul (KR); **Hyojin Won**, Seoul (KR); **Hyunwoo Yoo**, Seoul (KR); **Jinsu Kim**, Seoul (KR); **Hyejin Choi**, Seoul (KR); **Nayeoung Kim**, Seoul (KR); **Jahee Sohn**, Seoul (KR); **Kyoungmin Baek**, Seoul (KR)

(73) Assignee: **LG ELECTRONICS INC.**, Seoul (KR)

(**) Term: **15 Years**

(21) Appl. No.: **29/719,725**

(22) Filed: **Jan. 7, 2020**

(30) **Foreign Application Priority Data**

Jul. 8, 2019 (WO) 85290

(51) **LOC (13) Cl.** **31-00**

(52) **U.S. Cl.**
USPC **D7/376**

(58) **Field of Classification Search**

USPC D7/306, 309, 323, 326, 327, 338, 372, D7/373, 374, 375, 376, 377, 378, 379, D7/380, 381, 382, 383, 384, 385, 386, D7/402, 412, 413, 598, 602, 612, 629, D7/694, 669, 679, 619.1; D14/253, 447, D14/440; D13/108

CPC .. A47J 43/04; A47J 43/25; A47J 43/27; A47J 43/042; A47J 43/044; A47J 43/046; A47J 43/075; A47J 43/0722; A47J 43/0727; A47J 42/40; A21C 1/02; A21C 1/04; A23G 9/045; A23N 1/00; A23N 1/02; B01F 3/00; B01F 3/0807; B01F 3/0853; B01F 13/0059; B01F 13/0064; B02C 1/08; B02C 4/42; B02C 4/142; B02C 4/143; B02C

(Continued)

(56) **References Cited**

U.S. PATENT DOCUMENTS

D316,003 S * 4/1991 Clevenger D7/306
D490,271 S * 5/2004 Short D7/412

(Continued)

OTHER PUBLICATIONS

Autentica ETAM, no announcement date [online], retrieved Nov. 18, 2020, retrieved from internet, <https://www.delonghi.com/en-int/products/coffee/coffee-makers/bean-to-cup/autentica-etam-29510sb-0132220002>.*

(Continued)

Primary Examiner — Dana K Weiland

Assistant Examiner — Messina L Smith

(74) *Attorney, Agent, or Firm* — Birch, Stewart, Kolasch & Birch LLP

(57) **CLAIM**

The ornamental design for a baby formula maker, as shown and described.

DESCRIPTION

FIG. 1 is a front perspective view of the baby formula maker showing our new design;

FIG. 2 is a front view thereof;

FIG. 3 is a rear view thereof;

FIG. 4 is a left view thereof where the right view is a mirror image;

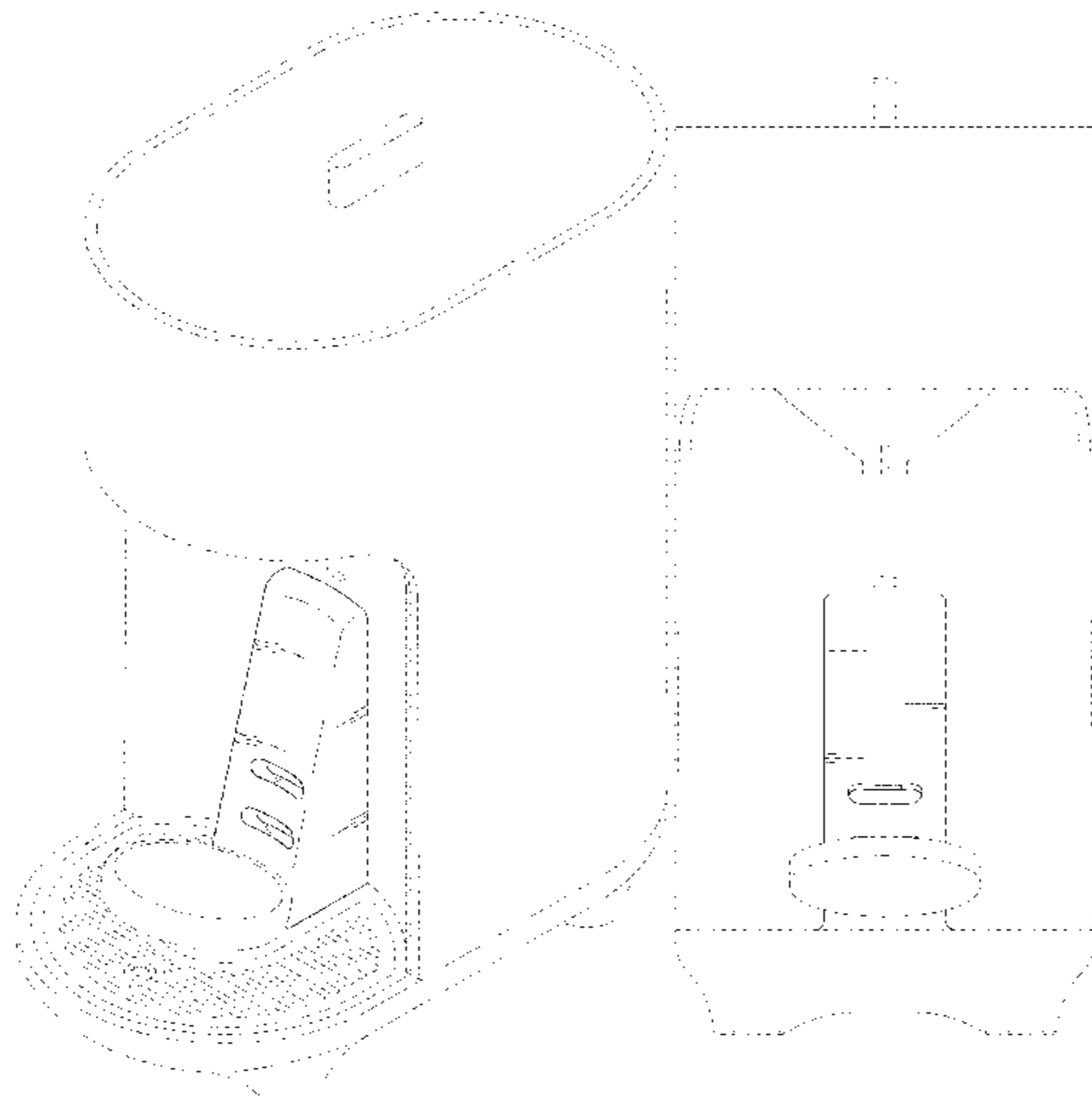
FIG. 5 is a top view thereof;

FIG. 6 is a bottom view thereof; and,

FIG. 7 is another left side view of the baby formula maker shown in an environment of use with a bottle.

The broken line showing of the bottle in FIG. 7 is for environmental purposes only and forms no part of the claimed design. All other broken lines in the drawings depict portions of the baby formula maker that form no part of the claimed design.

1 Claim, 7 Drawing Sheets



(58) **Field of Classification Search**

CPC 4/423; B02C 13/1835; B28C 5/10; B28C 5/12; B28C 5/14; B28C 5/16
See application file for complete search history.

(56) **References Cited**

U.S. PATENT DOCUMENTS

D540,113	S	*	4/2007	Short	D7/376
D688,081	S	*	8/2013	Warburton	D7/309
D719,391	S	*	12/2014	De Pra	D7/309
D728,295	S	*	5/2015	De'Longhi	D7/309
D735,518	S	*	8/2015	De'Longhi	D7/309
D735,530	S	*	8/2015	Smith	D7/413
D878,844	S	*	3/2020	Zisman	D7/306
D881,625	S	*	4/2020	Borrelli	D7/309
2016/0220069	A1	*	8/2016	Gardner	A47J 43/044
2017/0000294	A1	*	1/2017	Faria Rocha	A47J 43/0727

OTHER PUBLICATIONS

GYMAX Incline Gymnastics Mat, announced Nov. 13, 2018 [online],
retrieved Nov. 18, 2020, retrieved from internet, <https://www.amazon.com/GYMAX-Gymnastics-Tumbling-Practice-Exercise/dp/B07KHRH5CP>.*

com/GYMAX-Gymnastics-Tumbling-Practice-Exercise/dp/B07KHRH5CP.*

Baby Brezza Instant Warmer, announced Dec. 4, 2019 [online],
retrieved Nov. 18, 2020, retrieved from internet, <https://www.walmart.com/ip/Baby-Brezza-Instant-Warmer/437159158?wmlspartner=wlp&selectedSellerId=0&&adid=2222222227334999751&w10=&w11=g&w12=c&w13=419174050310&w14=pla-875047032699&w15=1027019&w16=>.*

Universal Laptop/Notebook Stands, announced Oct. 25, 2019 [online],
retrieved Nov. 20, 2020, retrieved from internet, https://www.amazon.com/Universal-Anti-Slip-Elevation-Lightweight-Kickstand/dp/B07ZK1RYQG/ref=asc_df_B07ZK1RYQG/?tag=hyprod-20&linkCode=df0&hvadid=416795339239&hvpos=&hvnetw=g&hvrnd=1387864855.*

White Faux Leather 3 Ring Jewelry Display Holder, announced ©
2020 [online], retrieved Nov. 20, 2020, retrieved from internet,
<https://www.findingsoutlet.com/product/white-faux-leather-3-ring-jewelry-display-holder-slot-showcase-wedge-stand-ramp/>.*

Video Doorbell Wedge Kit, announced Jan. 22, 2019 [online],
retrieved Nov. 20, 2020, retrieved from internet, <https://www.homedepot.com/p/Ring-Video-Doorbell-Wedge-Kit-8KKCS6-0000/307441178>.*

* cited by examiner

FIG. 1

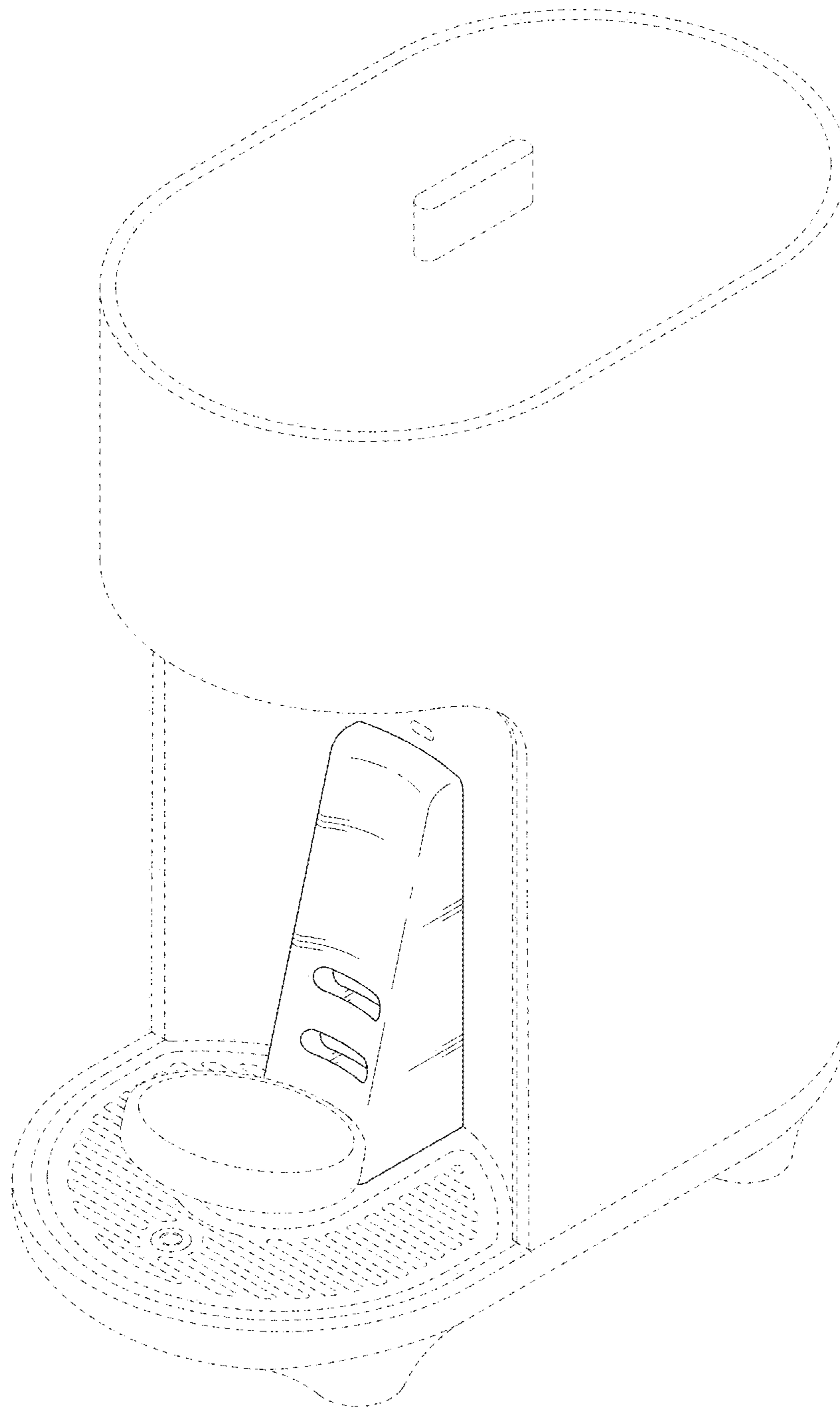


FIG. 2

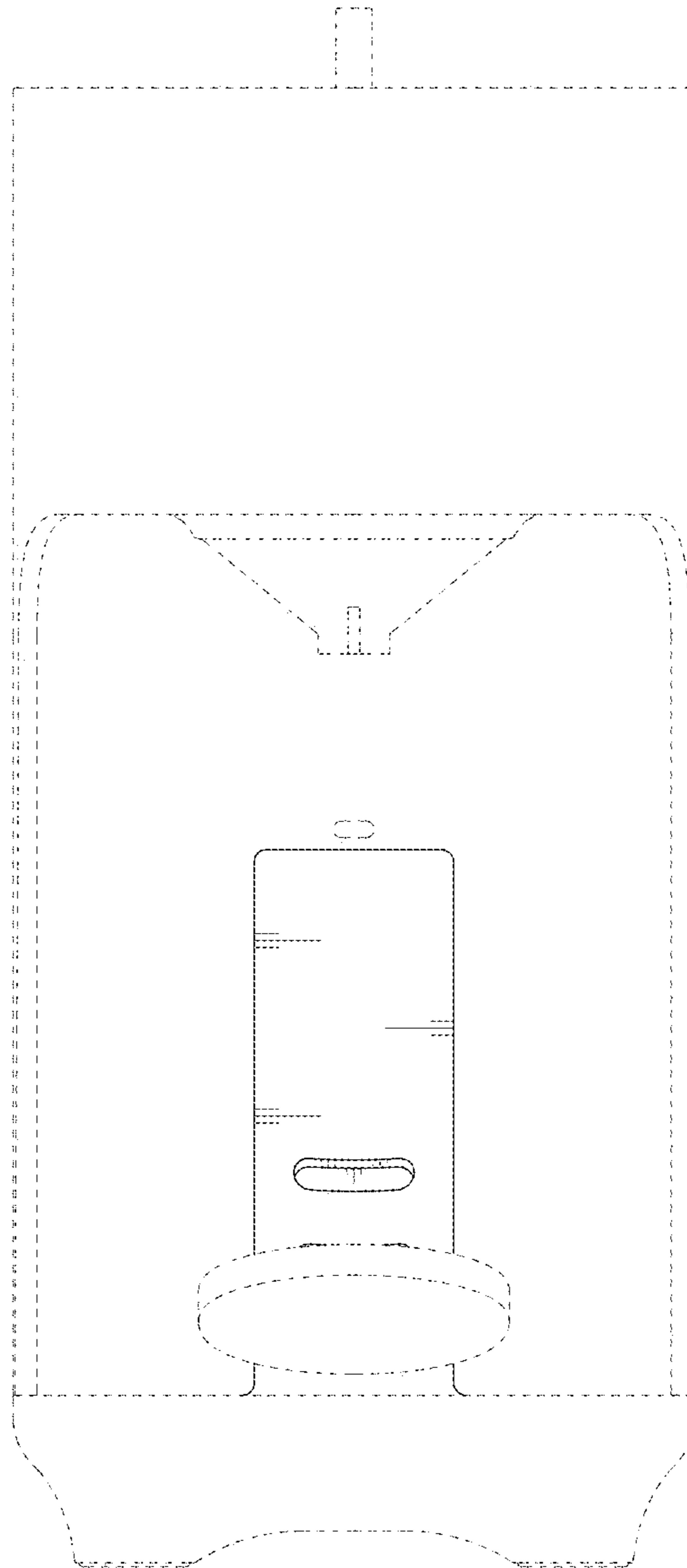


FIG. 3

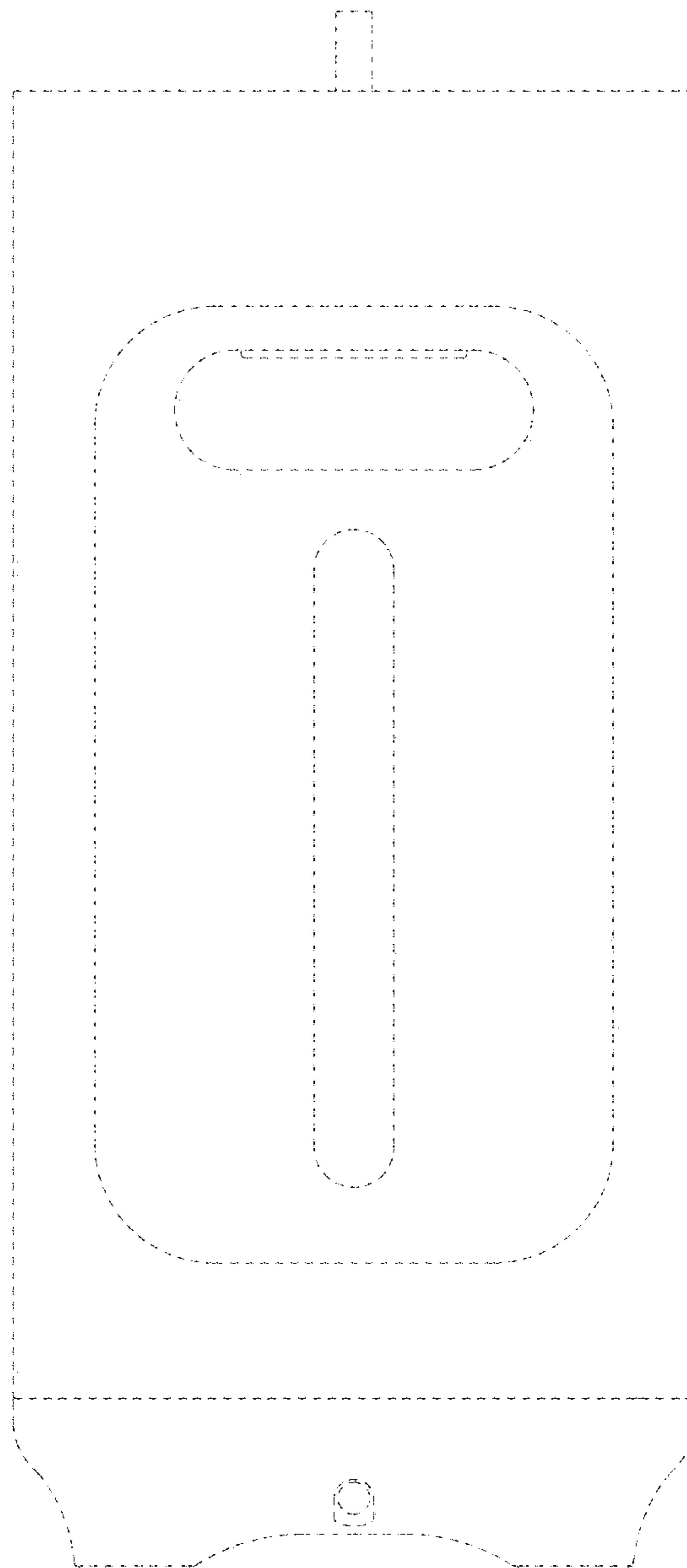


FIG. 4

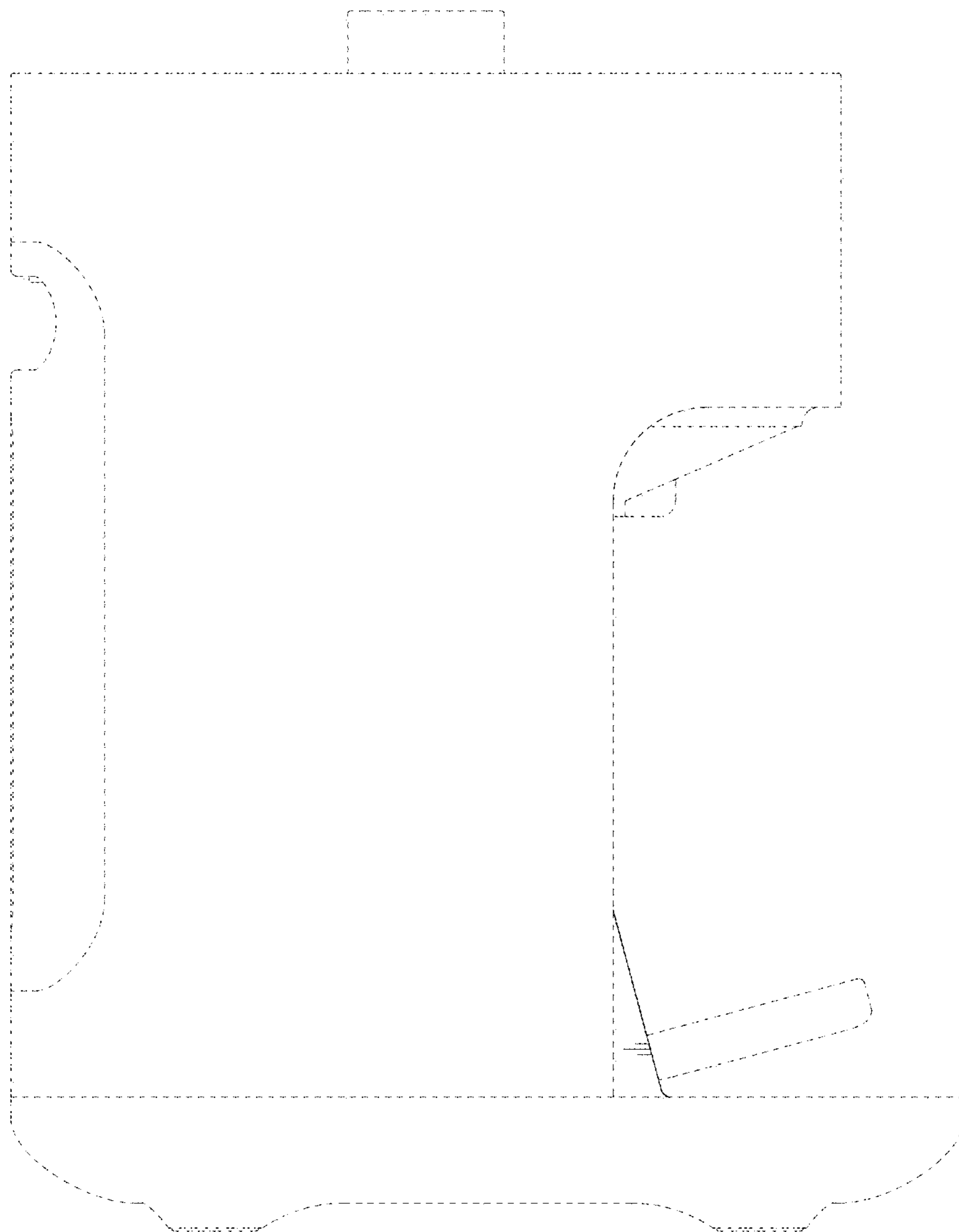


FIG. 5

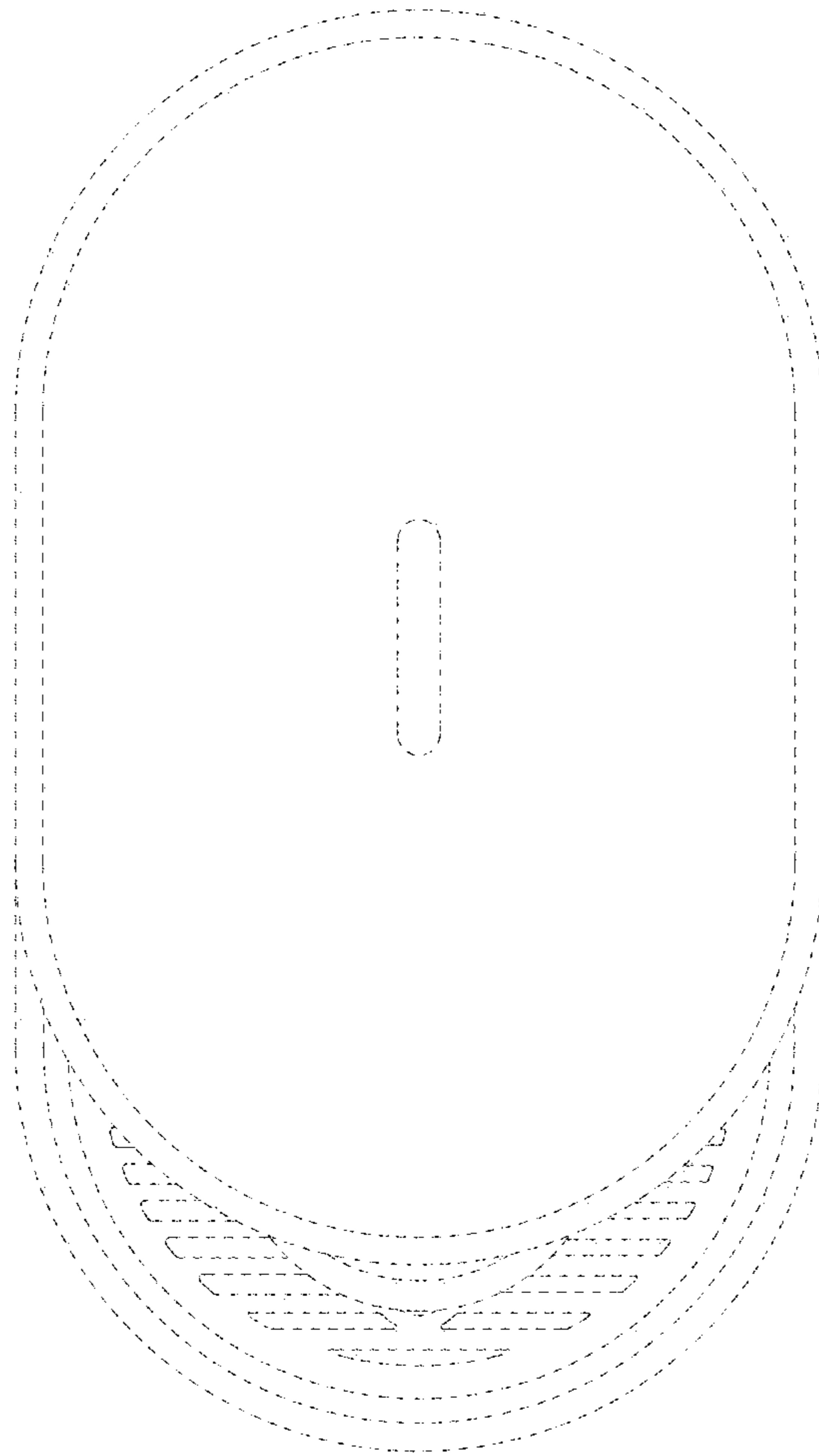


FIG. 6

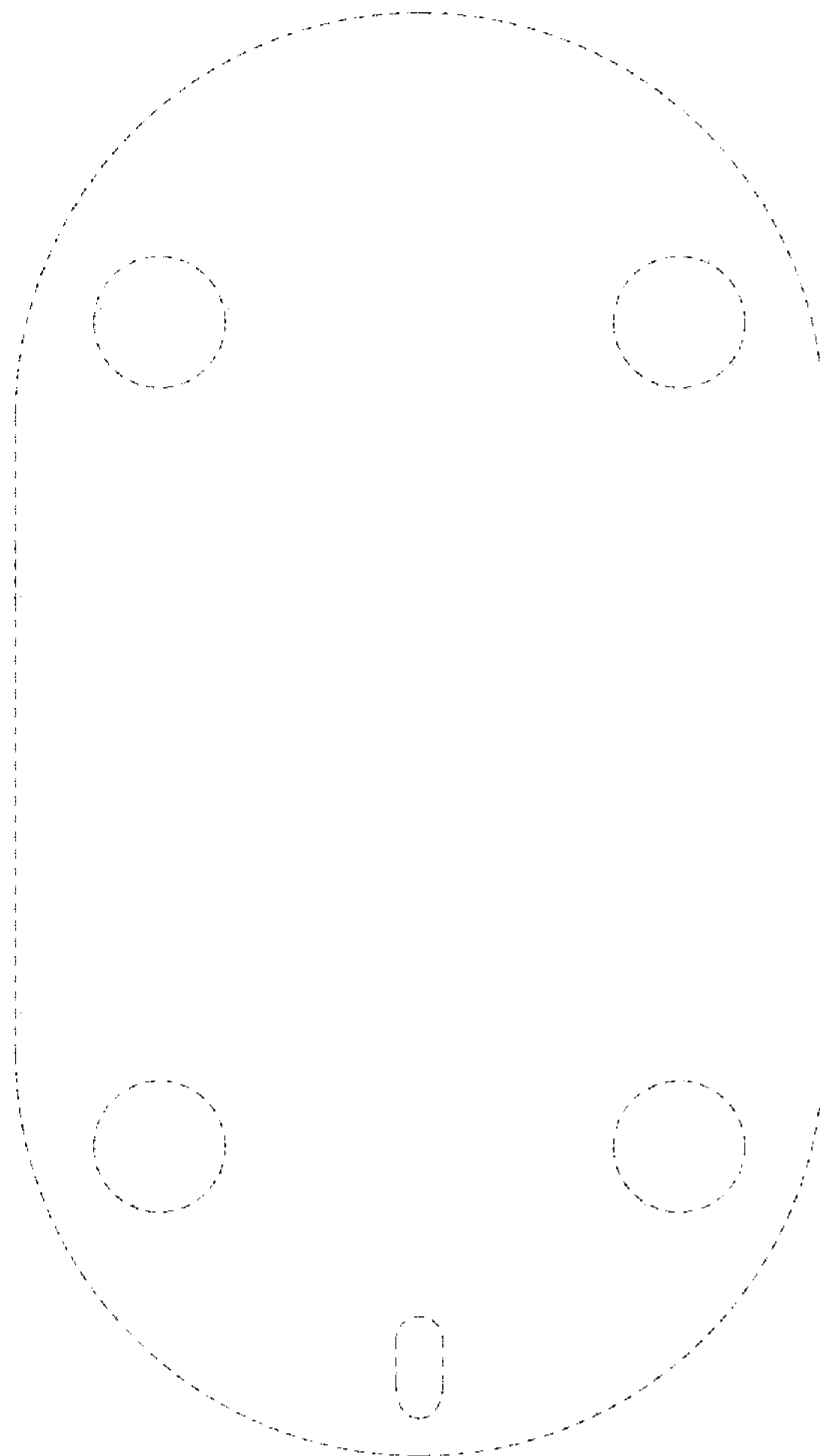


FIG. 7

