



US00D927917S

(12) **United States Design Patent**
Yueh

(10) **Patent No.:** **US D927,917 S**

(45) **Date of Patent:** **** Aug. 17, 2021**

- (54) **PELLET GRILL**
- (71) Applicant: **Test Rite International Co., Ltd.**,
Taipei (TW)
- (72) Inventor: **Ching Yueh**, Taipei (TW)
- (73) Assignee: **TEST RITE INTERNATIONAL CO., LTD.**, Taipei (TW)

6,237,472 B1 * 5/2001 Gates A47J 37/0786
126/25 R
D465,693 S * 11/2002 Coleman D7/334
D517,853 S * 3/2006 Mata, Jr. D7/332
D560,415 S * 1/2008 Wood D7/334
D572,519 S * 7/2008 Thomas D7/334

(Continued)

- (**) Term: **15 Years**
- (21) Appl. No.: **29/688,161**
- (22) Filed: **Apr. 18, 2019**

(30) **Foreign Application Priority Data**

Jan. 3, 2019 (CN) 201930002352.4

- (51) **LOC (13) Cl.** **07-02**
- (52) **U.S. Cl.**
USPC **D7/334**

(58) **Field of Classification Search**

USPC D7/323, 331-338, 402-409, 340, 362,
D7/363; 126/25 R

CPC A47J 37/07-0713; A47J 37/0763; A47J
37/0781; A23B 4/052; A23B 4/044

See application file for complete search history.

(56) **References Cited**

U.S. PATENT DOCUMENTS

D170,508 S * 9/1953 Nisenson D7/338
D206,738 S * 1/1967 Wilkinson D7/334
3,380,444 A * 4/1968 Stalker A47J 37/0763
126/25 R
D223,065 S * 3/1972 Turner D7/334
5,253,634 A * 10/1993 LeBeouf A47J 37/0731
126/25 A
D381,868 S * 8/1997 Schmitt D7/332
D430,450 S * 9/2000 Chester D7/334
D430,772 S * 9/2000 Ganard D7/334
6,230,700 B1 * 5/2001 Daniels A47J 37/0754
126/21 A

OTHER PUBLICATIONS

10BestOnes, Best Pellet Smokers in 2018, Oct. 28, 2018, Youtube,
https://www.youtube.com/watch?v=_qYLRnacu3A (Year: 2018).*

(Continued)

Primary Examiner — Brett Miller

(74) *Attorney, Agent, or Firm* — Birch, Stewart, Kolasch
& Birch, LLP

(57) **CLAIM**

The ornamental design for a pellet grill, as shown and
described.

DESCRIPTION

FIG. 1 is a perspective view of a first embodiment of a pellet grill, in accordance with our new design;
FIG. 2 is a front view thereof;
FIG. 3 is a rear view thereof;
FIG. 4 is a left view thereof;
FIG. 5 is a right view thereof;
FIG. 6 is a top plan view thereof;
FIG. 7 is a bottom plan view thereof;
FIG. 8 is a perspective view of a second embodiment of a pellet grill, in accordance with our new design;
FIG. 9 is a front view thereof;
FIG. 10 is a rear view thereof;
FIG. 11 is a left view thereof;
FIG. 12 is a right view thereof;
FIG. 13 is a top plan view thereof; and,
FIG. 14 is a bottom plan view thereof.

1 Claim, 14 Drawing Sheets



(56)

References Cited

U.S. PATENT DOCUMENTS

D584,562 S * 1/2009 Chau D7/334
D586,609 S * 2/2009 Chau D7/334
D646,121 S * 10/2011 Pickard D7/402
D723,860 S * 3/2015 Chung D7/334
D730,103 S * 5/2015 Manley D7/334
D736,026 S * 8/2015 Kam D7/334
9,186,020 B1 * 11/2015 Phillips A47J 37/0709
D852,569 S * 7/2019 Giebel D7/334
D871,822 S * 1/2020 Hussain D7/334
D890,562 S * 7/2020 Nicoll D7/334
2002/0179081 A1 * 12/2002 Holland A47J 37/0704
126/25 R
2019/0298107 A1 * 10/2019 Baker A47J 37/0786

OTHER PUBLICATIONS

Best Smokers Info, Top 10 Best Pellet Smoker Reviews and Top Picks 2017, 2017, The BBQ Smoker, <https://bestsmokersinfo.com/top-10-best-pellet-smoker-reviews/> (Year: 2017).*

Yoder Smokers, Pellet Grills, Sep. 9, 2018, <https://www.yodersmokers.com/pellet-grills.html> (Year: 2018).*

* cited by examiner



FIG. 1



FIG. 2

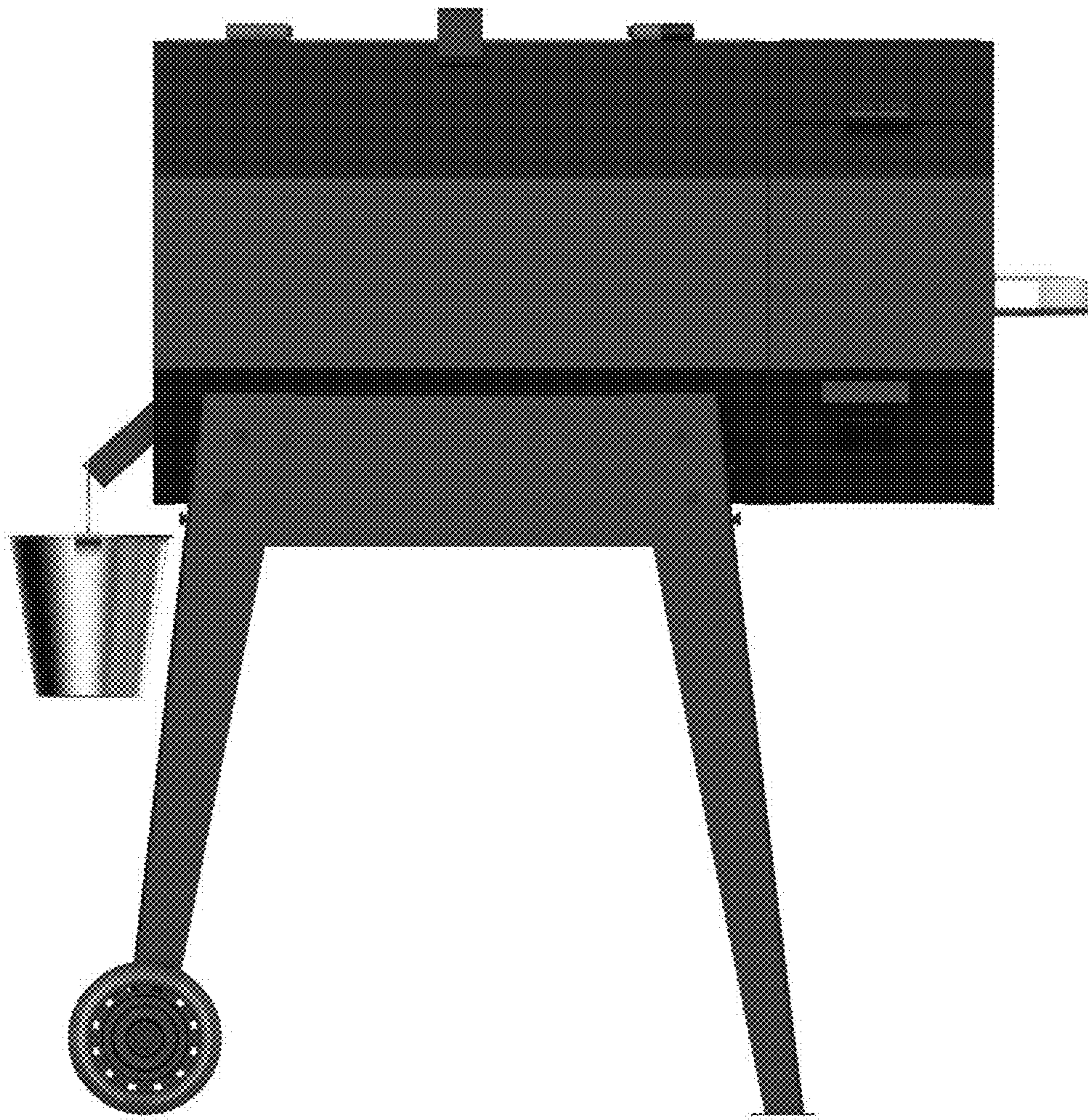


FIG. 3

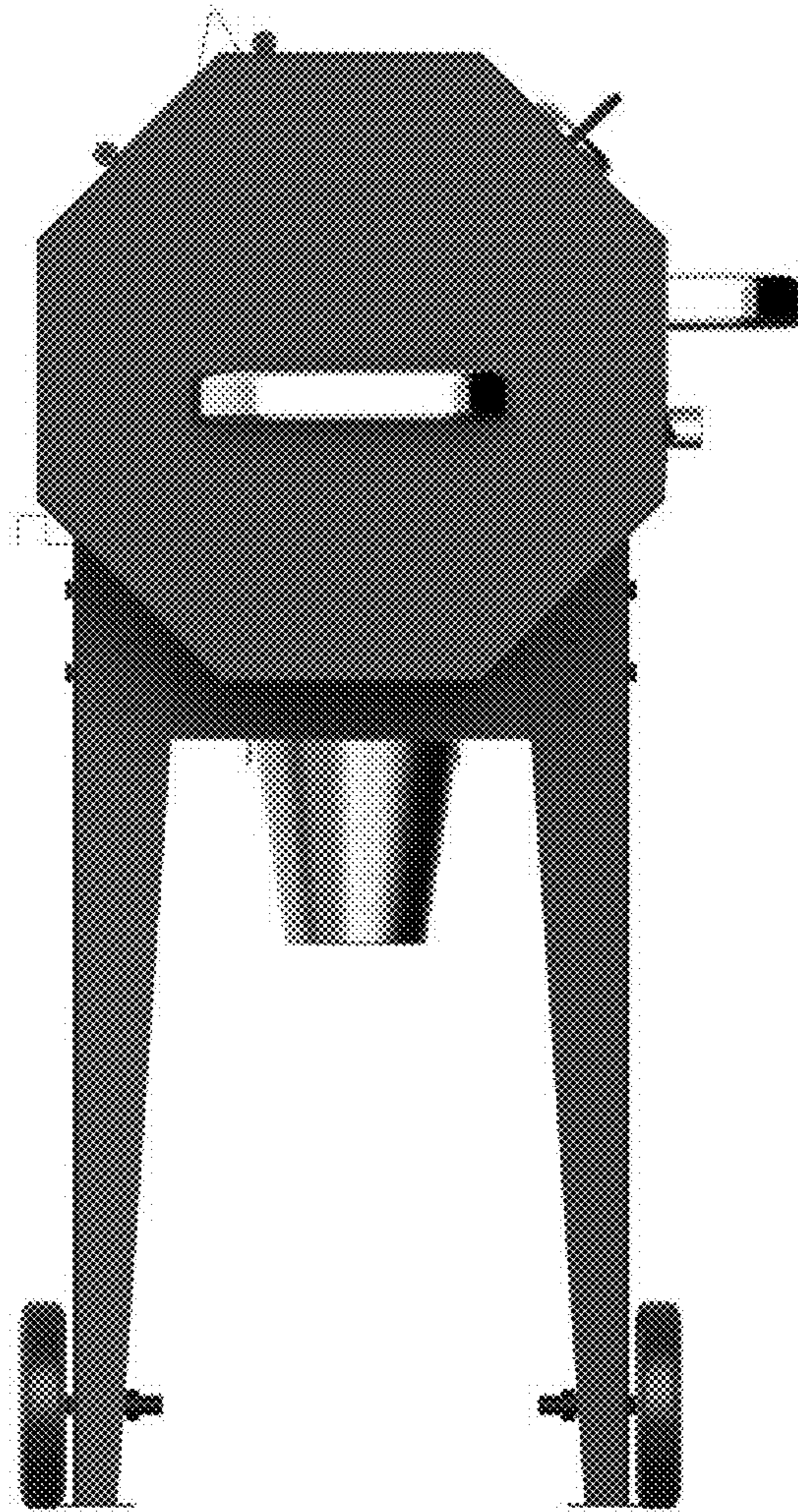


FIG. 4

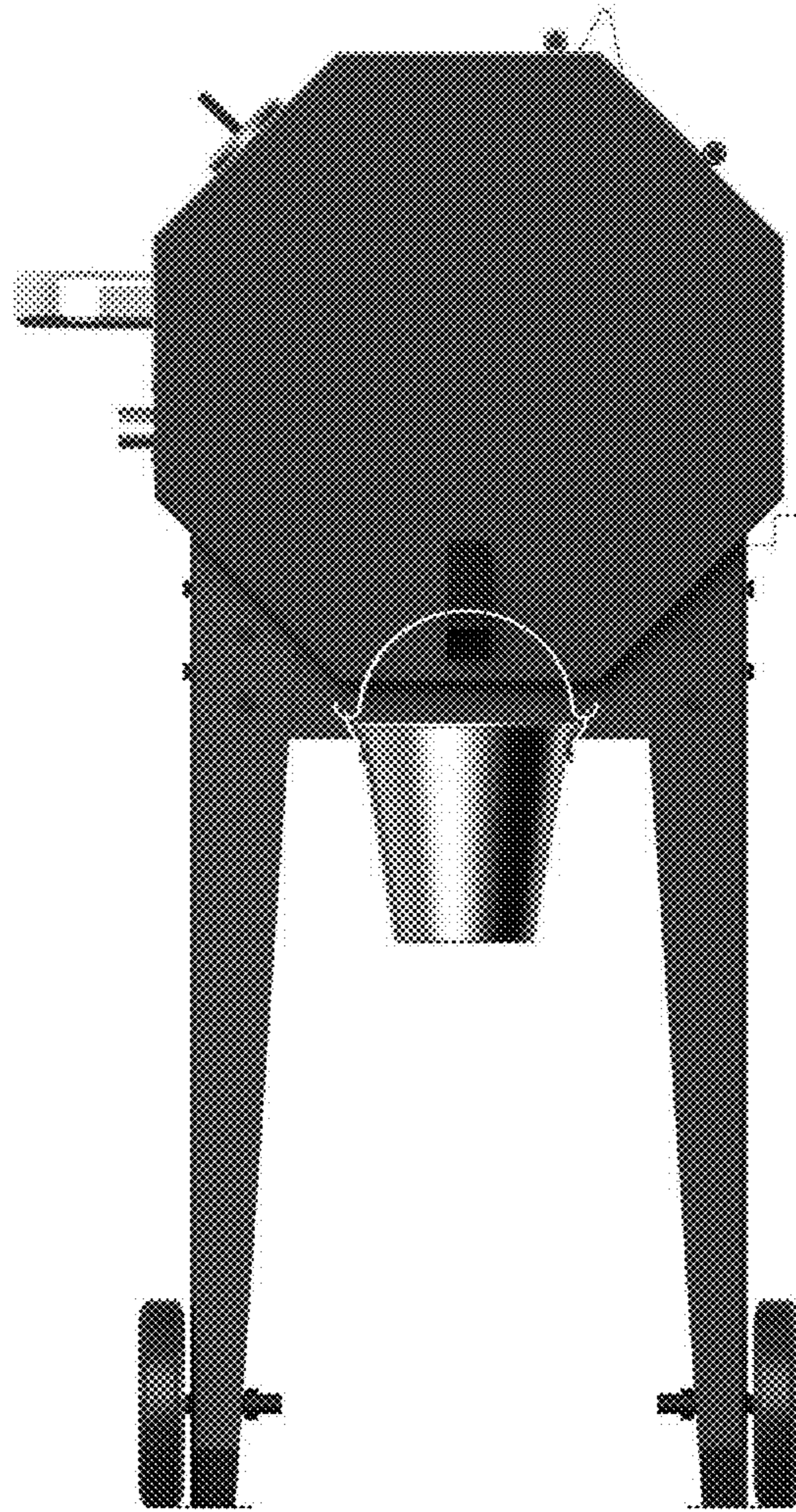


FIG. 5

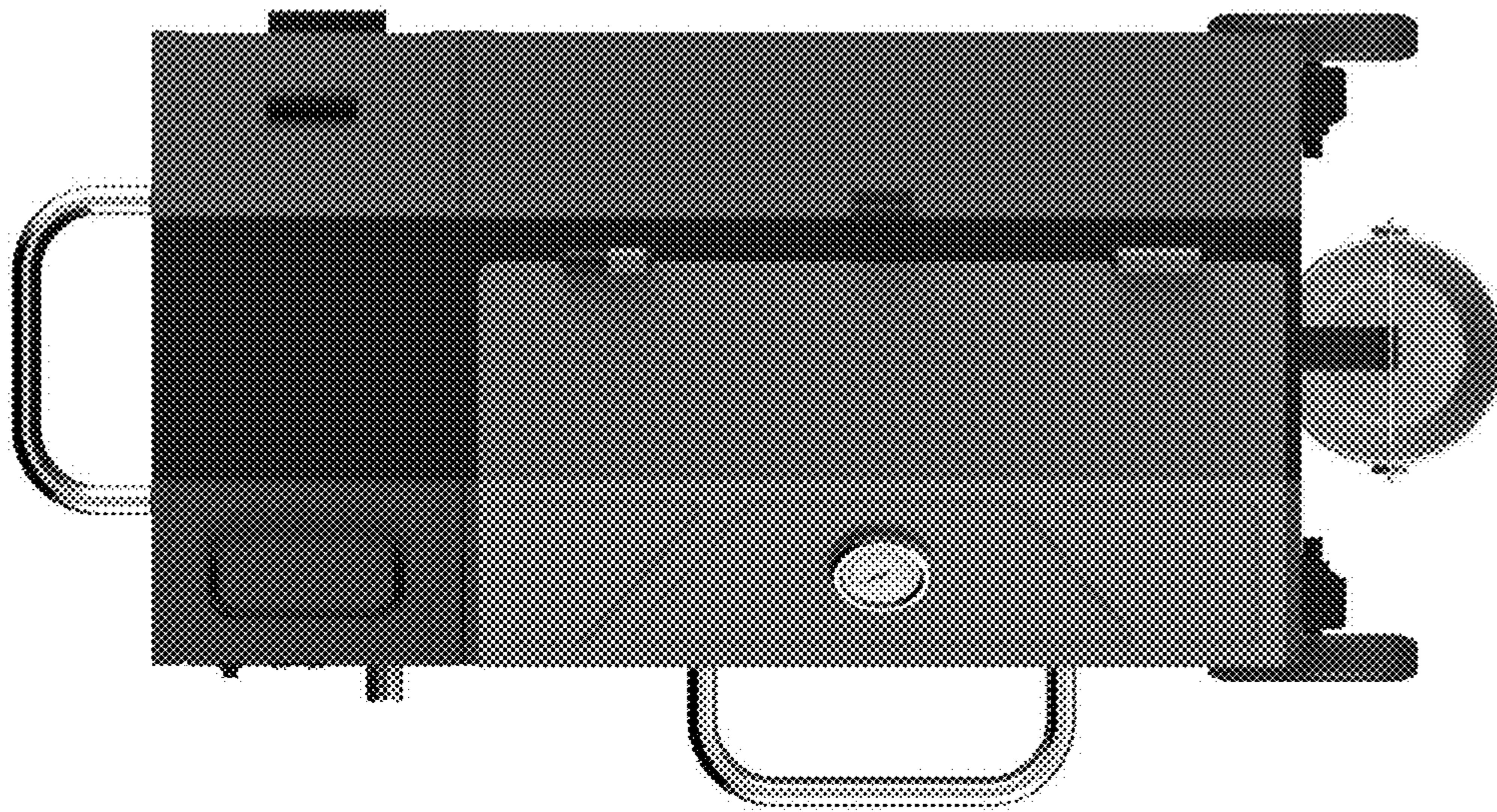


FIG. 6

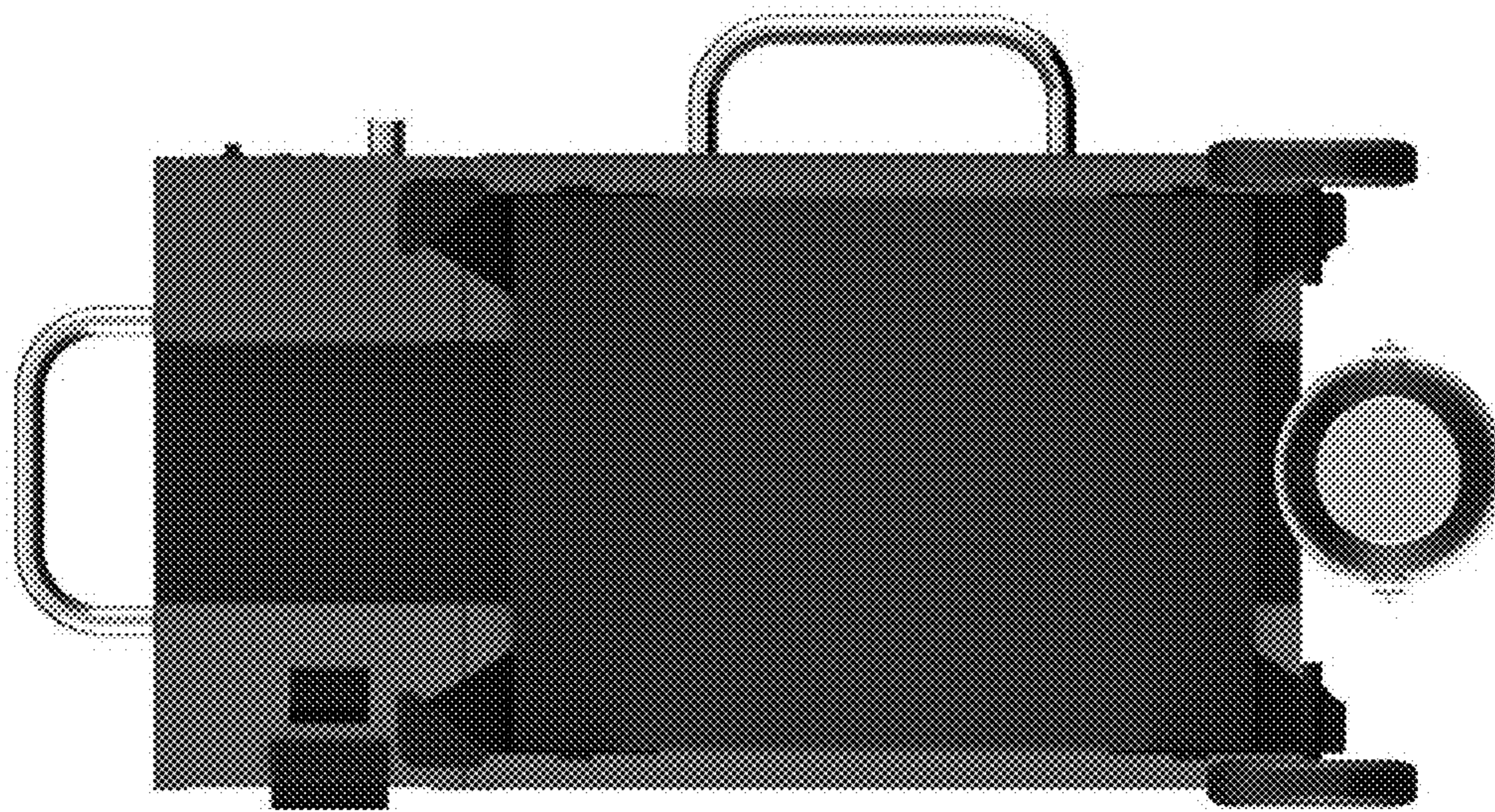


FIG. 7



FIG. 8



FIG. 9



FIG. 10

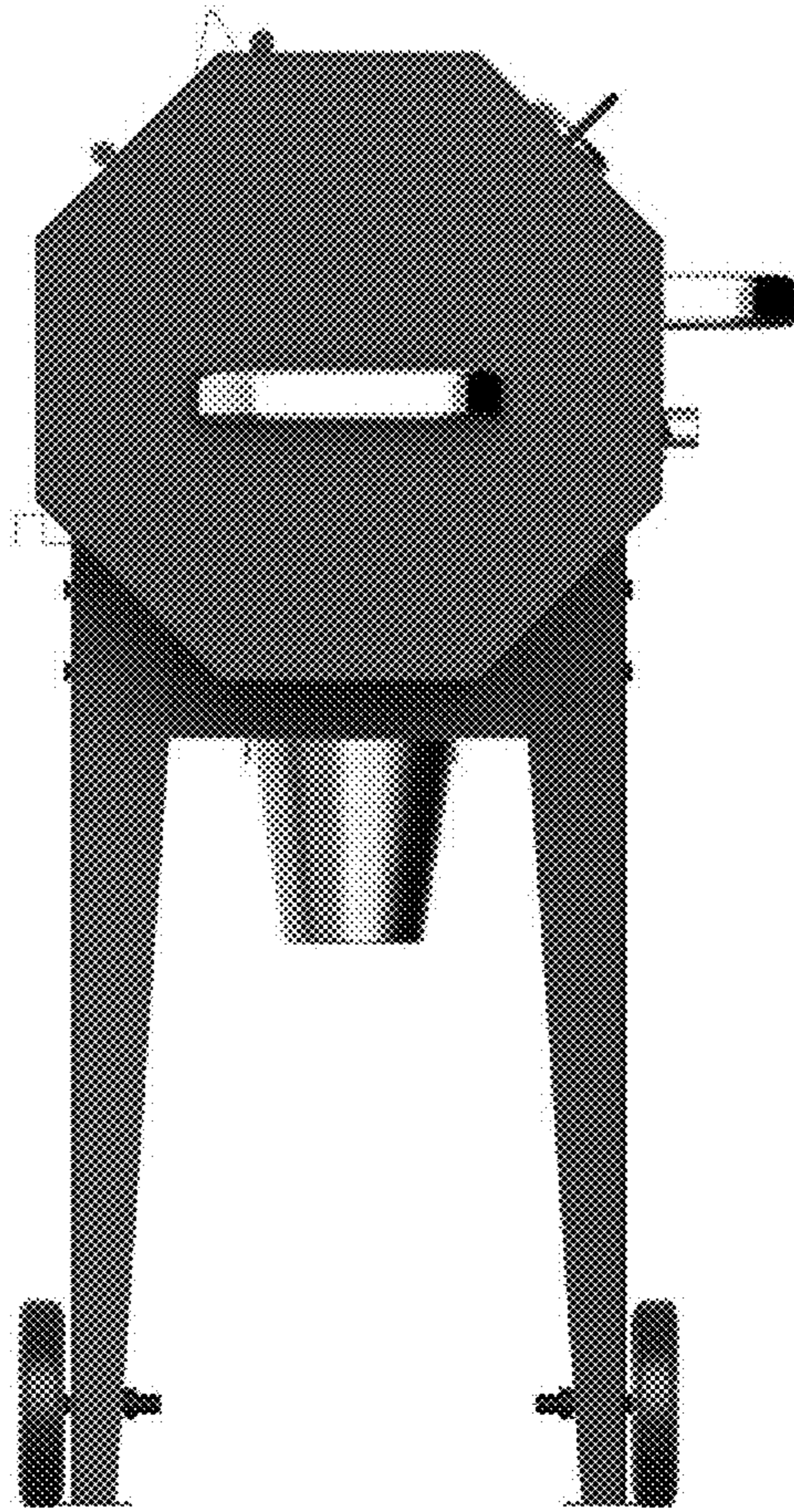


FIG. 11

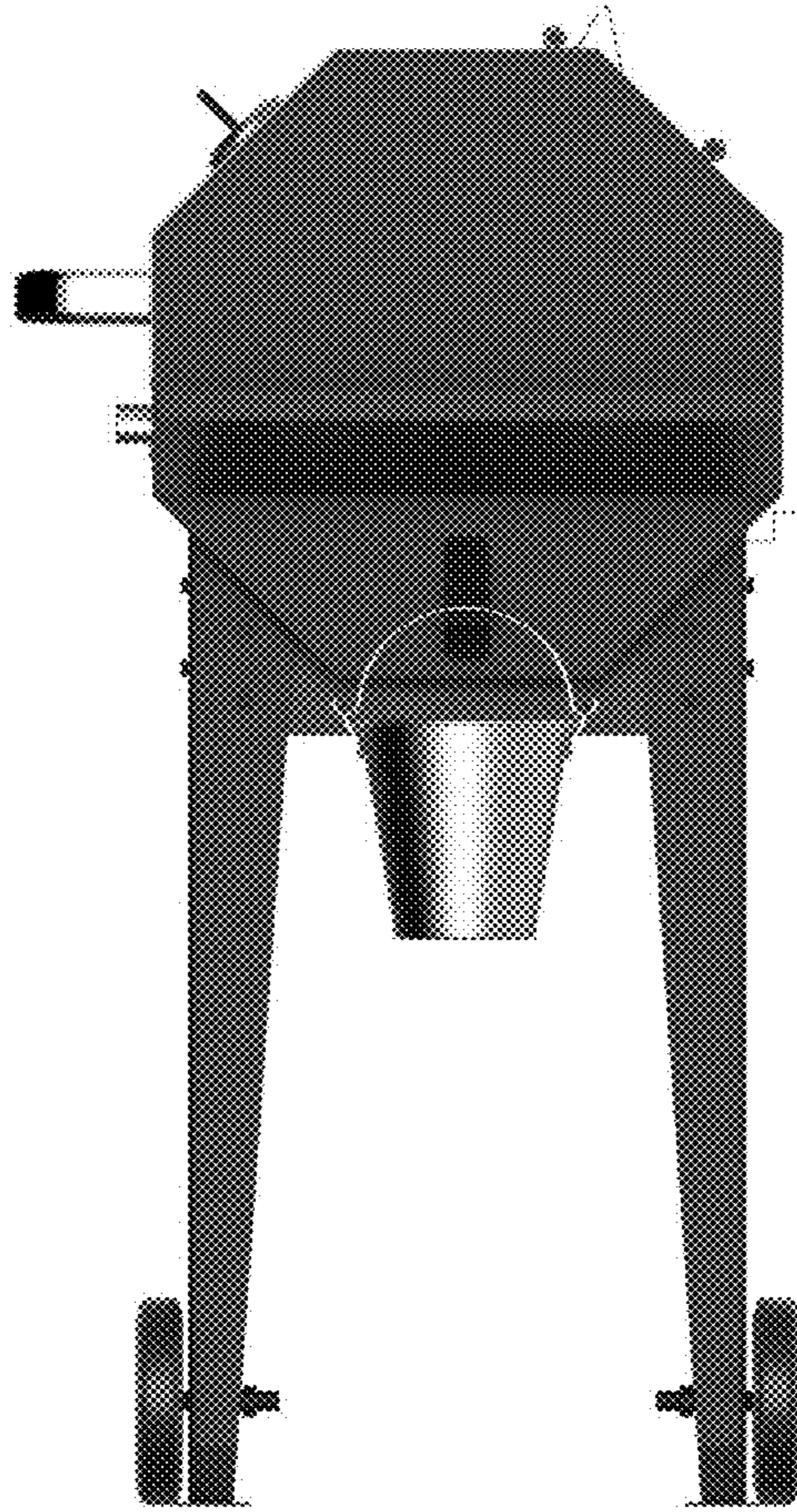


FIG. 12

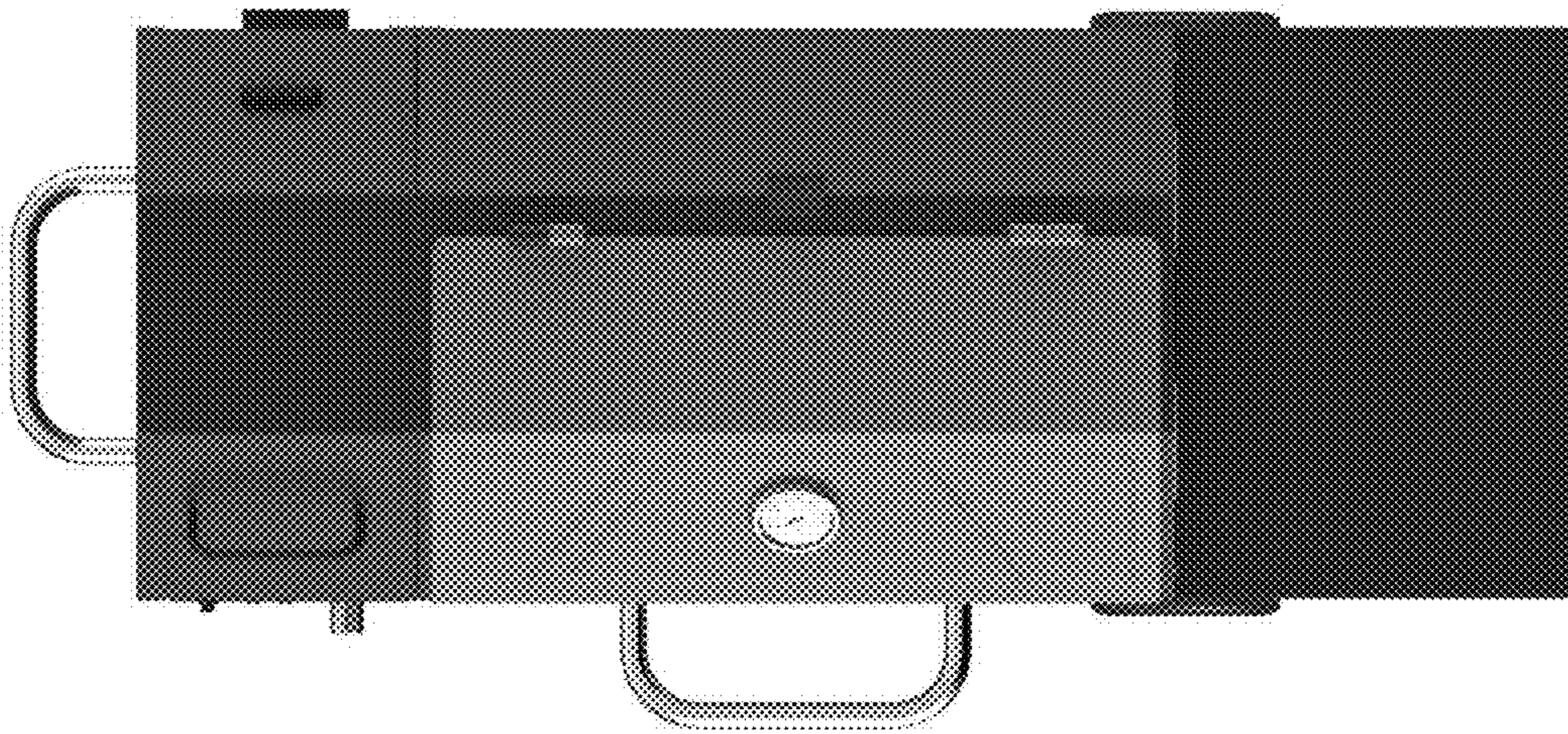


FIG. 13

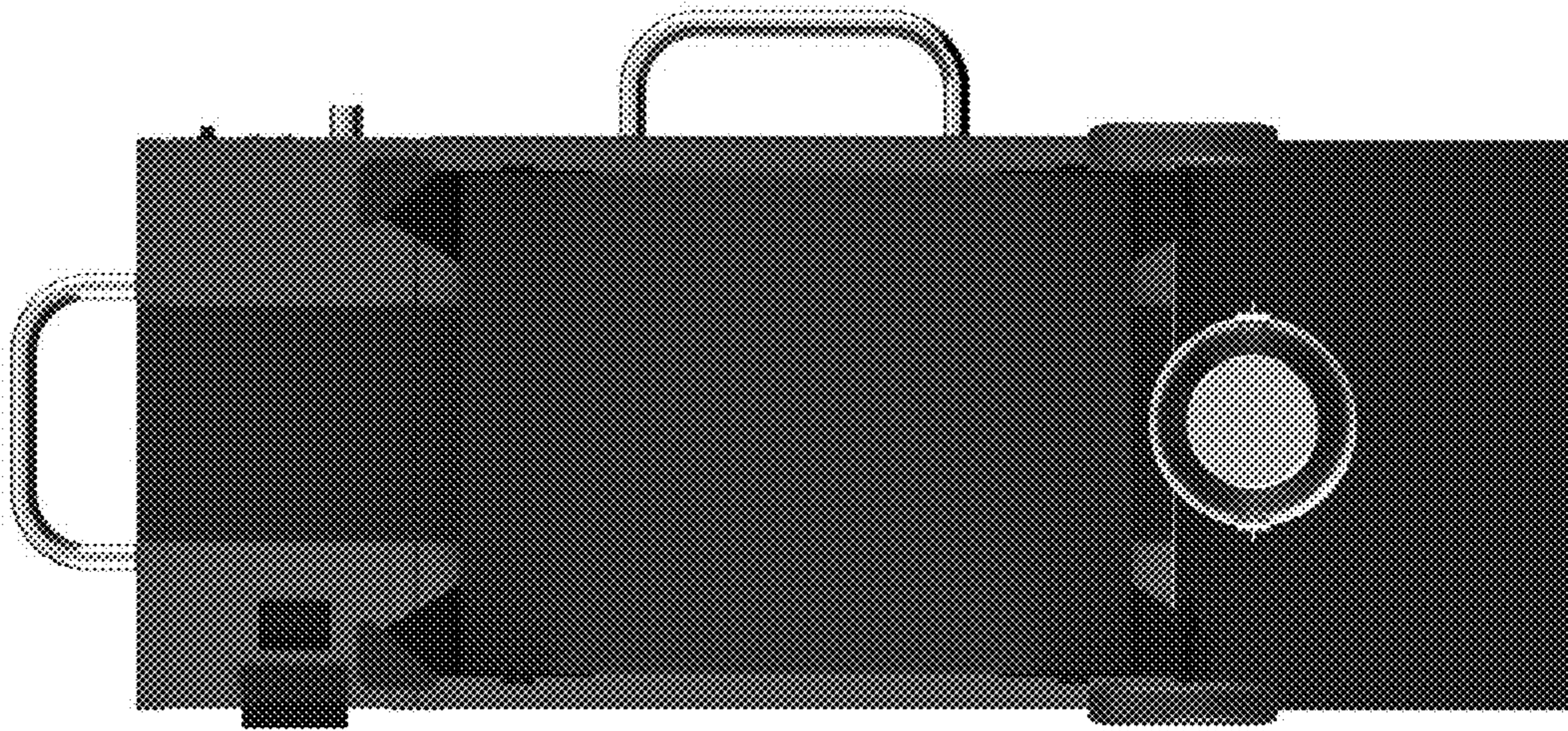


FIG. 14