



US00D927915S

(12) **United States Design Patent** (10) **Patent No.:** **US D927,915 S**  
**Brega et al.** (45) **Date of Patent:** **\*\* \*Aug. 17, 2021**

(54) **TOASTER**

(71) Applicant: **BREVILLE PTY LIMITED**,  
Alexandria (AU)  
(72) Inventors: **Tristan Brega**, Alexandria (AU);  
**Gerard White**, Alexandria (AU);  
**Richard Hoare**, Alexandria (AU);  
**David Davenport**, Alexandria (AU)  
(73) Assignee: **BREVILLE PTY LIMITED**,  
Alexandria (AU)

(\*) Notice: This patent is subject to a terminal disclaimer.

(\*\*) Term: **15 Years**

(21) Appl. No.: **29/716,836**

(22) Filed: **Dec. 12, 2019**

(30) **Foreign Application Priority Data**

Aug. 28, 2019 (AU) ..... 201914942

(51) **LOC (13) Cl.** ..... **07-02**

(52) **U.S. Cl.**  
USPC ..... **D7/330**

(58) **Field of Classification Search**  
USPC ..... D7/328, 329, 330, 331, 339, 340, 341,  
D7/342, 343, 344, 345, 346, 347, 348,  
D7/349, 351, 352, 390, 402, 405, 406;  
D21/523, 524

CPC .... A47J 37/08; A47J 37/0807; A47J 37/0814;  
A47J 37/0821; A47J 37/0828; A47J  
37/0835; A47J 37/0842; A47J 37/085;  
A47J 37/0857; A47J 37/0864; A47J  
37/0871; A47J 37/0878; A47J 37/0885;  
A47J 37/0892; A47J 37/0611; A47J  
37/0623; A47J 37/0629; A47J 37/00;  
A47J 37/04; A47J 37/06; A21B 1/50;  
A21B 1/52; A21B 5/00; F24C 15/02;  
F24C 15/04; F24C 15/10

See application file for complete search history.

(56) **References Cited**

U.S. PATENT DOCUMENTS

D421,693	S	*	3/2000	Carbone	.....	D7/330
D475,884	S	*	6/2003	Holderfield	.....	D7/330
D510,676	S	*	10/2005	Picozza	.....	D7/330
D577,533	S	*	9/2008	Robinson	.....	D7/330
D615,343	S	*	5/2010	Bock	.....	D7/330
D655,126	S	*	3/2012	Gregory	.....	D7/330
D661,941	S	*	6/2012	Averty	.....	D7/330
D663,993	S	*	7/2012	Prevete	.....	D7/330

(Continued)

OTHER PUBLICATIONS

AmazonBasics 4-Slot Toaster, announced Apr. 10, 2020 [online],  
retrieved Nov. 4, 2020, retrieved from internet, [https://www.amazon.com/AmazonBasics-TA5728C-W-4-Slot-Toaster-White/dp/B07SW6TGQR/ref=psdc\\_289938\\_t1\\_B006REPXKA?th=1.\\*](https://www.amazon.com/AmazonBasics-TA5728C-W-4-Slot-Toaster-White/dp/B07SW6TGQR/ref=psdc_289938_t1_B006REPXKA?th=1.*)

(Continued)

*Primary Examiner* — Dana K Weiland  
*Assistant Examiner* — Messina L Smith

(74) *Attorney, Agent, or Firm* — Moser Taboada

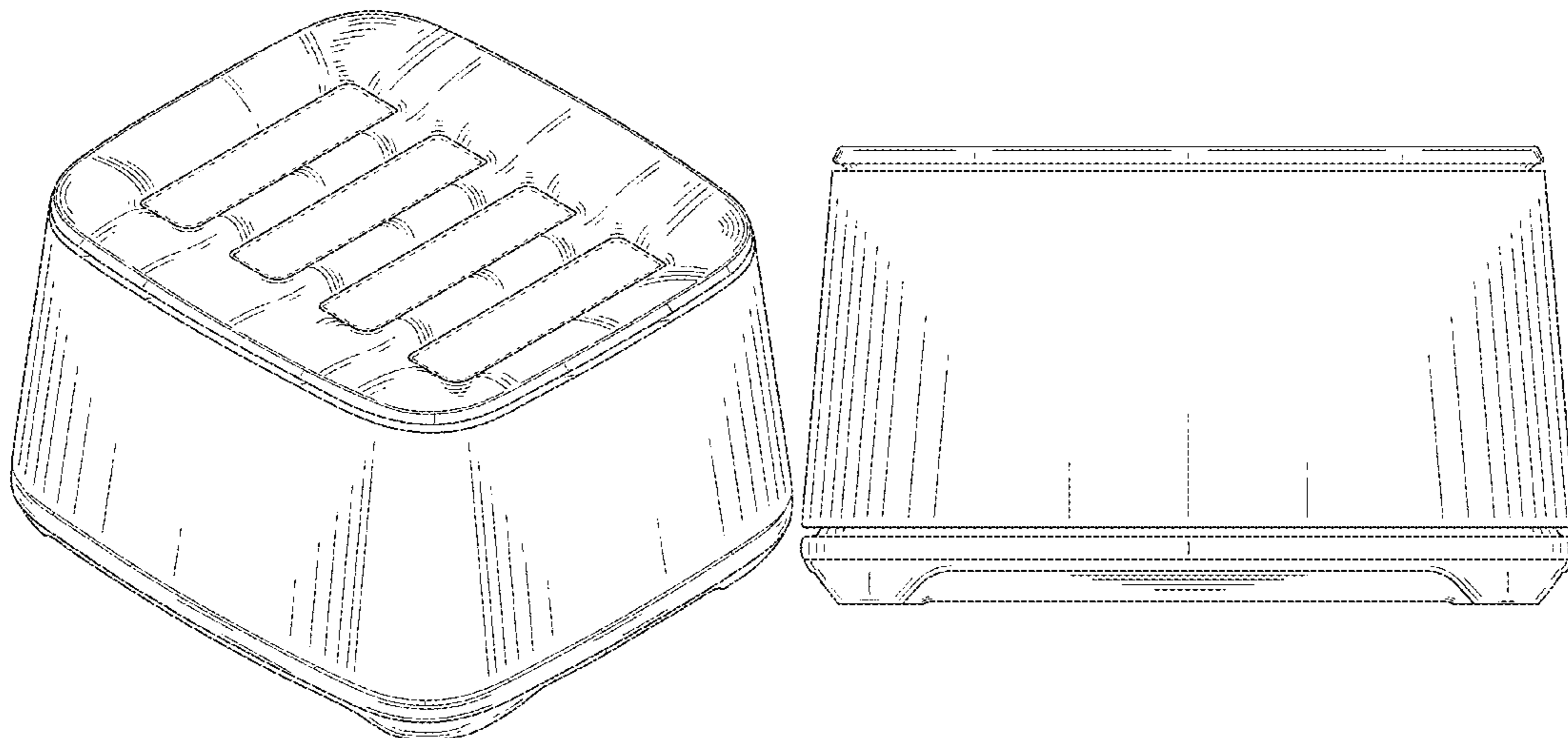
(57) **CLAIM**

The ornamental design for a toaster, as shown and described.

**DESCRIPTION**

FIG. 1 is a front perspective view of a toaster embodying the new design;  
FIG. 2 is a front view of the design of FIG. 1.  
FIG. 3 is a right side view of the design of FIG. 1.  
FIG. 4 is a back view of the design of FIG. 1.  
FIG. 5 is a left side view of the design of FIG. 1.  
FIG. 6 is a top view of the design of FIG. 1; and,  
FIG. 7 is a bottom view of the design of FIG. 1.  
Portions of the toaster illustrated in broken lines form no part of the claimed design.

**1 Claim, 7 Drawing Sheets**



(56)

**References Cited**

U.S. PATENT DOCUMENTS

D667,677	S *	9/2012	Choi .....	D7/330
D686,866	S *	7/2013	De'Longhi .....	D7/330
D702,074	S *	4/2014	De'Longhi .....	D7/330
D777,501	S	1/2017	Lee et al.	
D792,147	S *	7/2017	Averty .....	D7/330
D796,248	S *	9/2017	De' Longhi .....	D7/330
D798,098	S *	9/2017	Bournay, Jr. ....	D7/330
D799,884	S *	10/2017	Rose .....	D7/330
D838,534	S *	1/2019	Bodum .....	D7/330
D859,856	S *	9/2019	Josancy .....	D6/330
D886,506	S *	6/2020	Thun .....	D7/330
2016/0166110	A1 *	6/2016	Barnes .....	A23L 5/15 426/466

OTHER PUBLICATIONS

The best toasters of 2019, announced Feb. 8, 2019 [online], retrieved Nov. 4, 2020, retrieved from internet, <https://www.usatoday.com/story/tech/reviewedcom/2019/02/08/best-toasters-2019-breville-black-decker-cuisinart-hamilton-beach-kitchenaid/2811043002/>.\*

The Lift & Look® Pro-2 Slice, announced 2014 [online], retrieved Nov. 4, 2020, retrieved from internet, <https://www.breville.com/au/en/products/toasters/bta720.html>.\*

Breville's Newest Color Will Make Your Kitchen the Coolest Room in Your Home, announced Sep. 19, 2019 [online], retrieved Nov. 4, 2020, retrieved from internet, <https://www.foodandwine.com/lifestyle/kitchen/breville-new-luxe-appliance-colors>.\*

\* cited by examiner

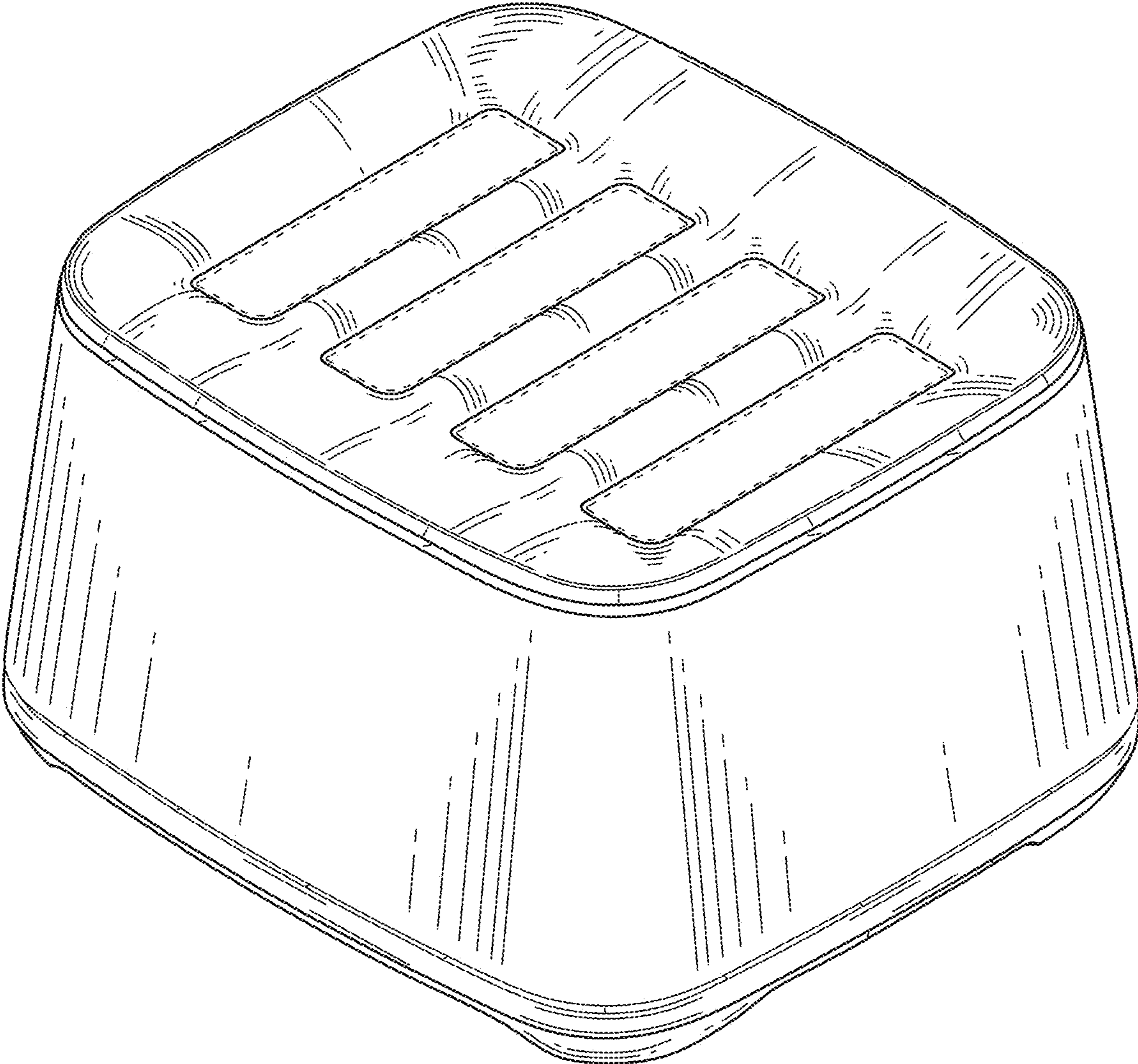


FIG. 1

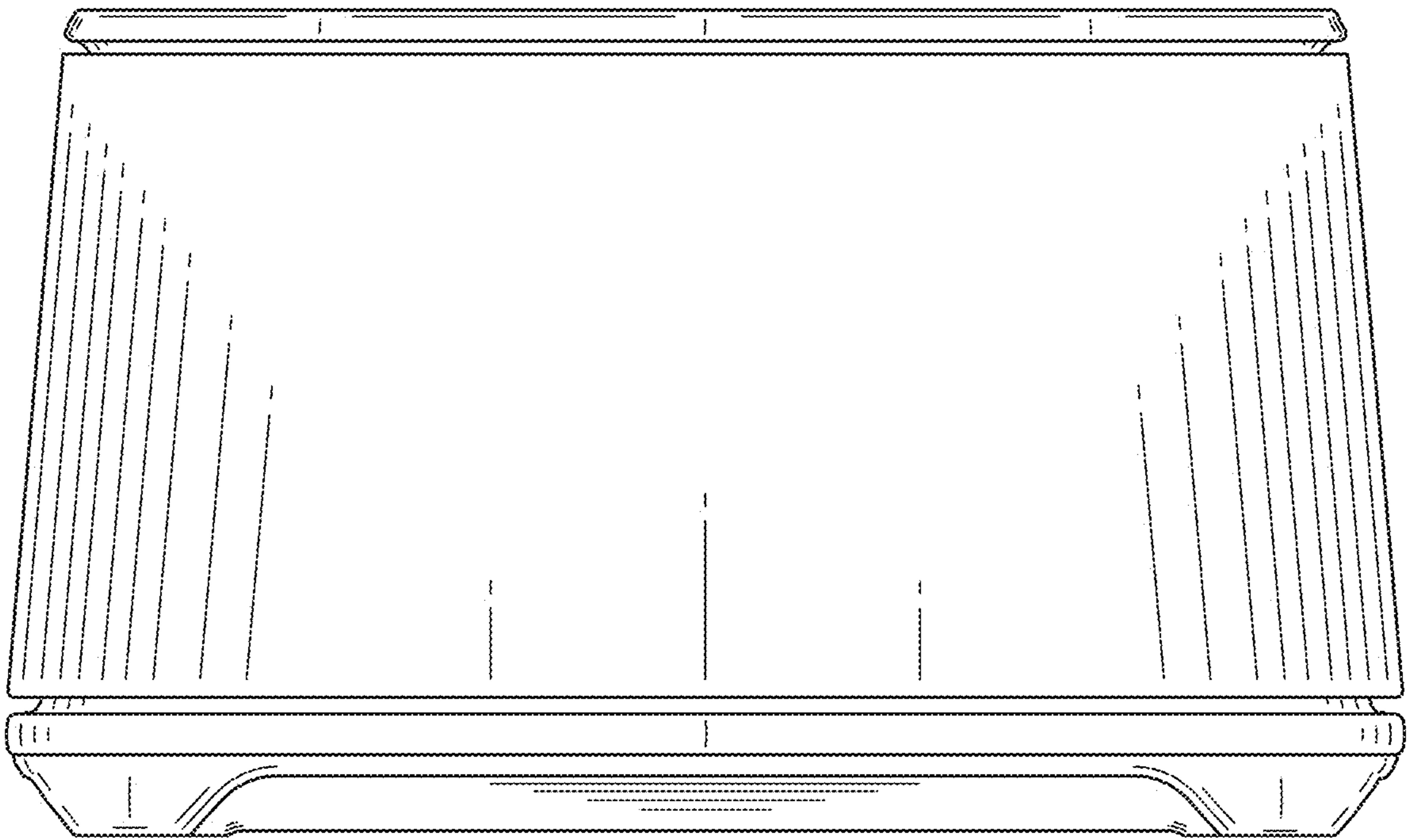


FIG. 2

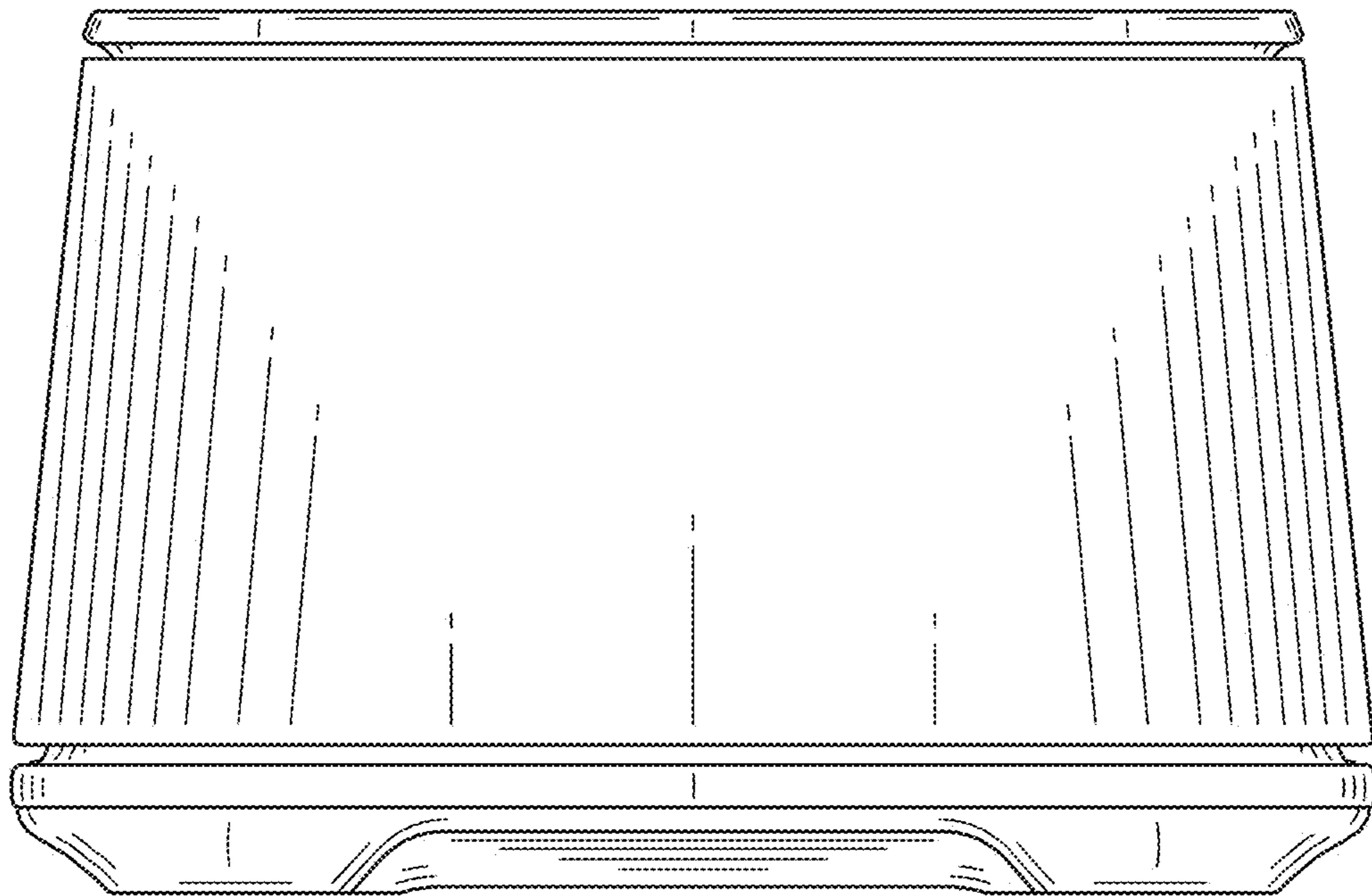


FIG. 3

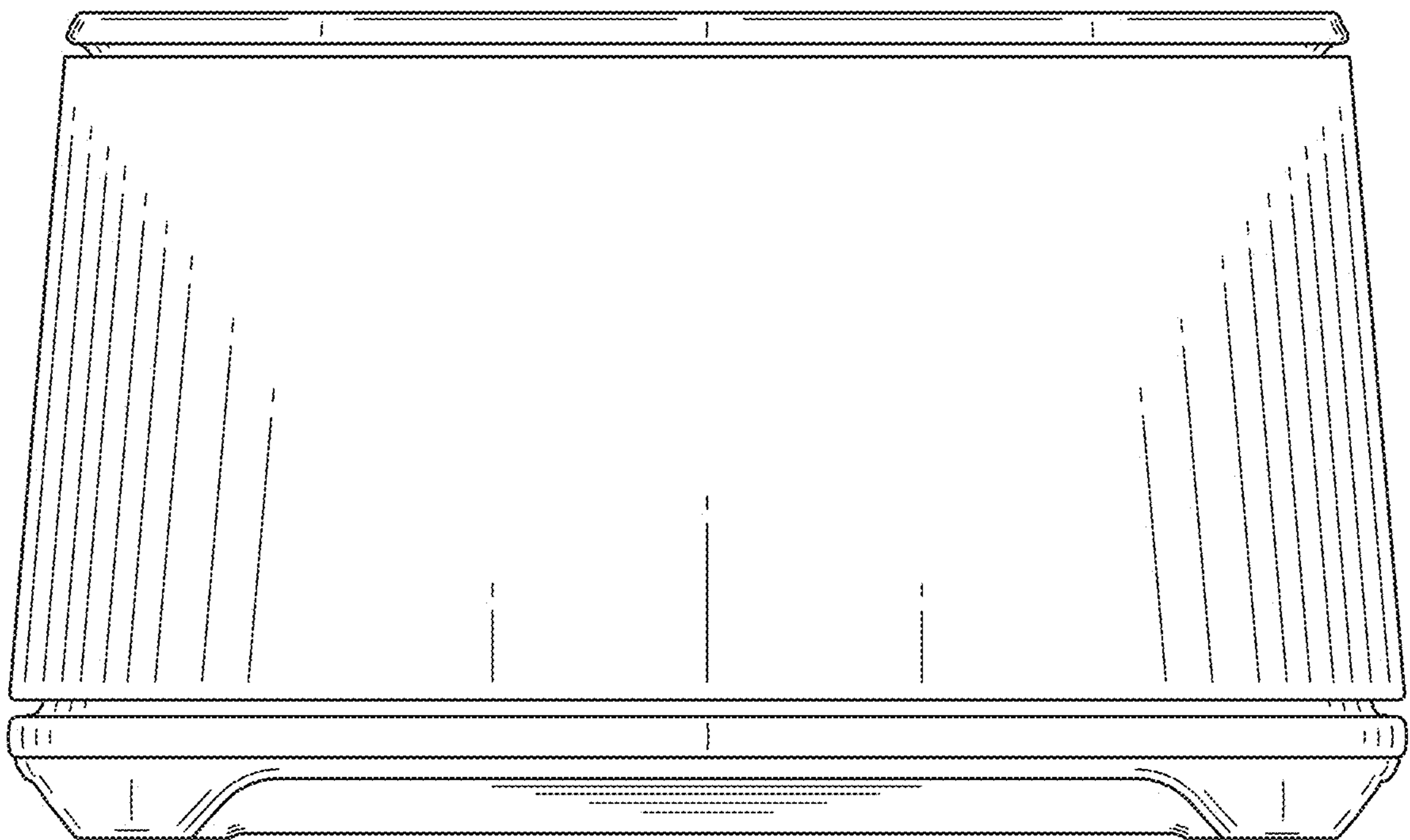


FIG. 4

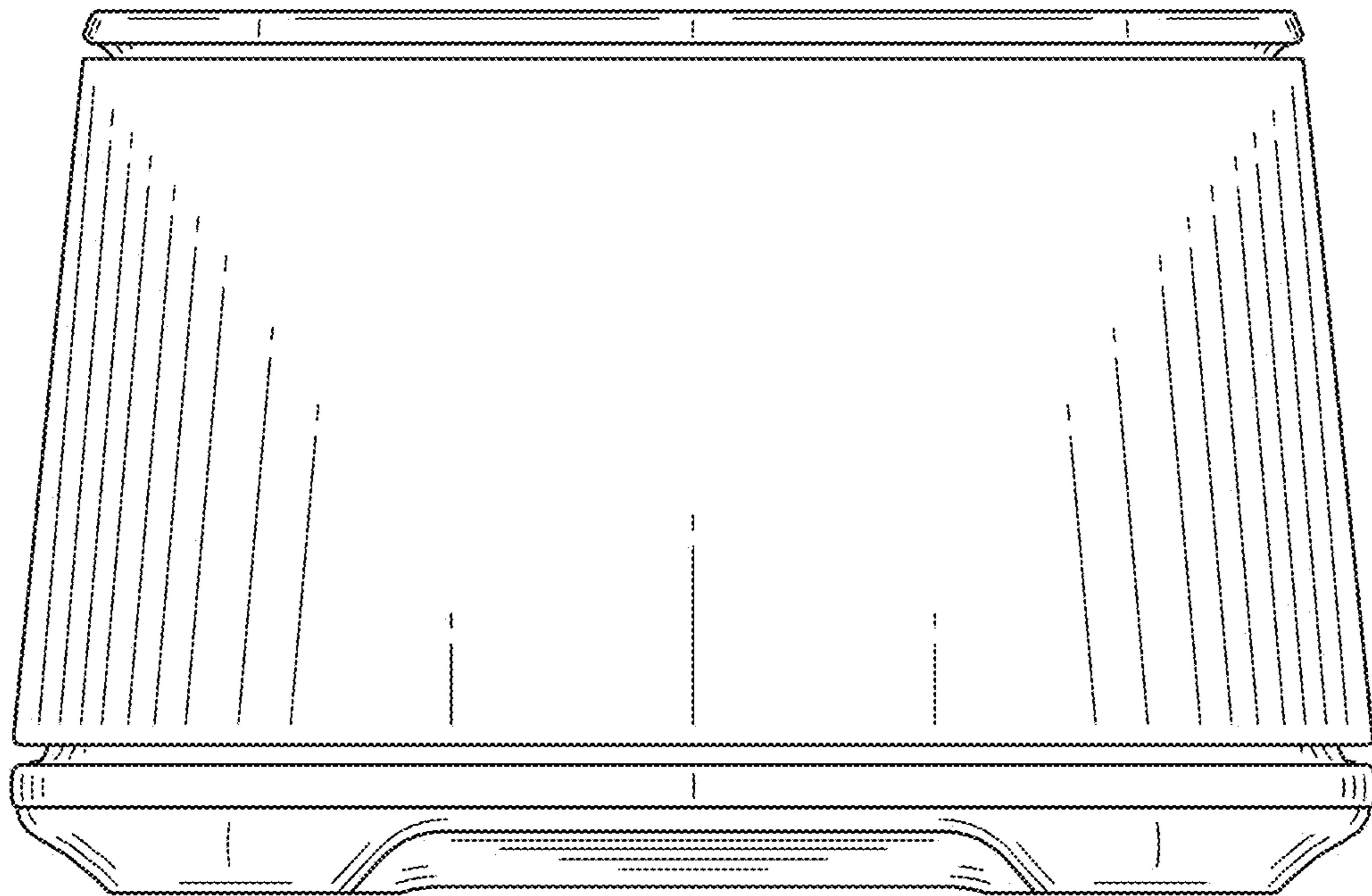


FIG. 5

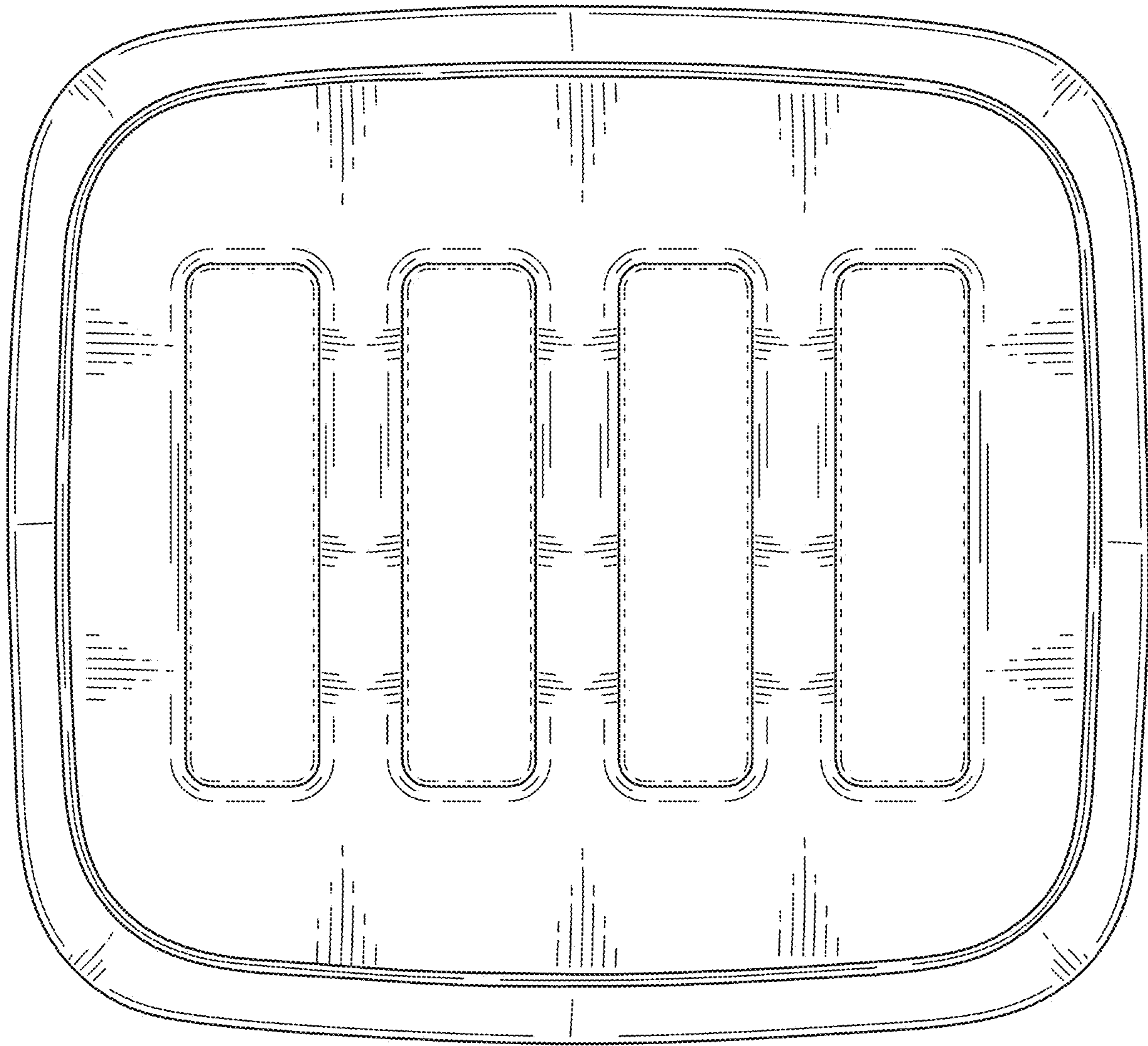


FIG. 6



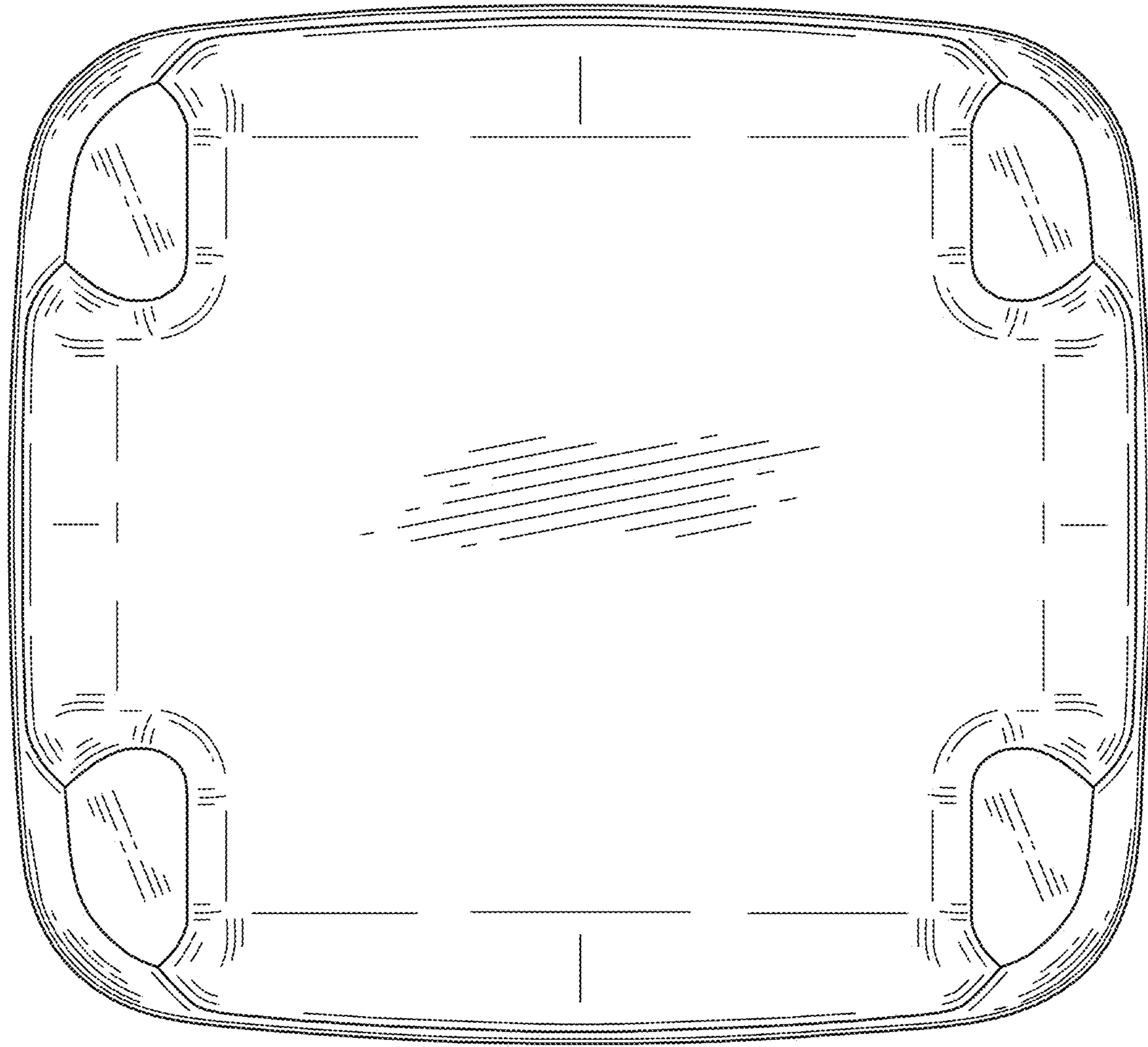


FIG. 7