



US00D927914S

(12) **United States Design Patent** (10) **Patent No.:** **US D927,914 S**
Brega et al. (45) **Date of Patent:** **** *Aug. 17, 2021**

(54) **TOASTER**

(71) Applicant: **BREVILLE PTY LIMITED**,
Alexandria (AU)
(72) Inventors: **Tristan Brega**, Alexandria (AU);
Gerard White, Alexandria (AU);
David Davenport, Alexandria (AU);
Richard Hoare, Alexandria (AU)
(73) Assignee: **BREVILLE PTY LIMITED**,
Alexandria (AU)

(*) Notice: This patent is subject to a terminal disclaimer.

(**) Term: **15 Years**

(21) Appl. No.: **29/716,832**

(22) Filed: **Dec. 12, 2019**

(30) **Foreign Application Priority Data**

Aug. 28, 2019 (AU) 201914945

(51) **LOC (13) Cl.** **07-02**

(52) **U.S. Cl.**
USPC **D7/330**

(58) **Field of Classification Search**
USPC D7/328, 329, 330, 331, 339, 340, 341,
D7/342, 343, 344, 345, 346, 347, 348,
D7/349, 351, 352, 390, 402, 405, 406;
D21/523, 524
CPC A47J 37/08; A47J 37/0807; A47J 37/0814;
A47J 37/0821; A47J 37/0828; A47J
37/0835; A47J 37/0842; A47J 37/085;
A47J 37/0857; A47J 37/0864; A47J
37/0871; A47J 37/0878; A47J 37/0885;
A47J 37/0892; A47J 37/0611; A47J
37/0623; A47J 37/0629; A47J 37/00;
A47J 37/04; A47J 37/06; F24C 15/02;
F24C 15/04; F24C 15/10; A21B 1/52;
A21B 5/00

See application file for complete search history.

(56) **References Cited**

U.S. PATENT DOCUMENTS

D423,865 S *	5/2000	Gaynor	D7/330
D474,639 S *	5/2003	To	D7/330
D502,839 S *	3/2005	Cuffaro	D7/330
D522,305 S *	6/2006	Morgan	D7/330
D571,600 S *	6/2008	Robinson	D7/330
D644,473 S *	9/2011	Pantaleo	D7/330
D662,346 S *	6/2012	Choi	D7/330
D663,568 S *	7/2012	Prevete	D7/330
D688,508 S *	8/2013	Garman	D7/330

(Continued)

OTHER PUBLICATIONS

AmazonBasics 4-Slot Toaster, announced Apr. 10, 2020 [online],
retrieved Nov. 4, 2020, retrieved from internet, https://www.amazon.com/AmazonBasics-TA5728C-W-4-Slot-Toaster-White/dp/B07SW6TGQR/ref=psdc_289938_t1_B006REPXKA?th=1.*

(Continued)

Primary Examiner — Dana K Weiland
Assistant Examiner — Messina L Smith
(74) *Attorney, Agent, or Firm* — Moser Taboada

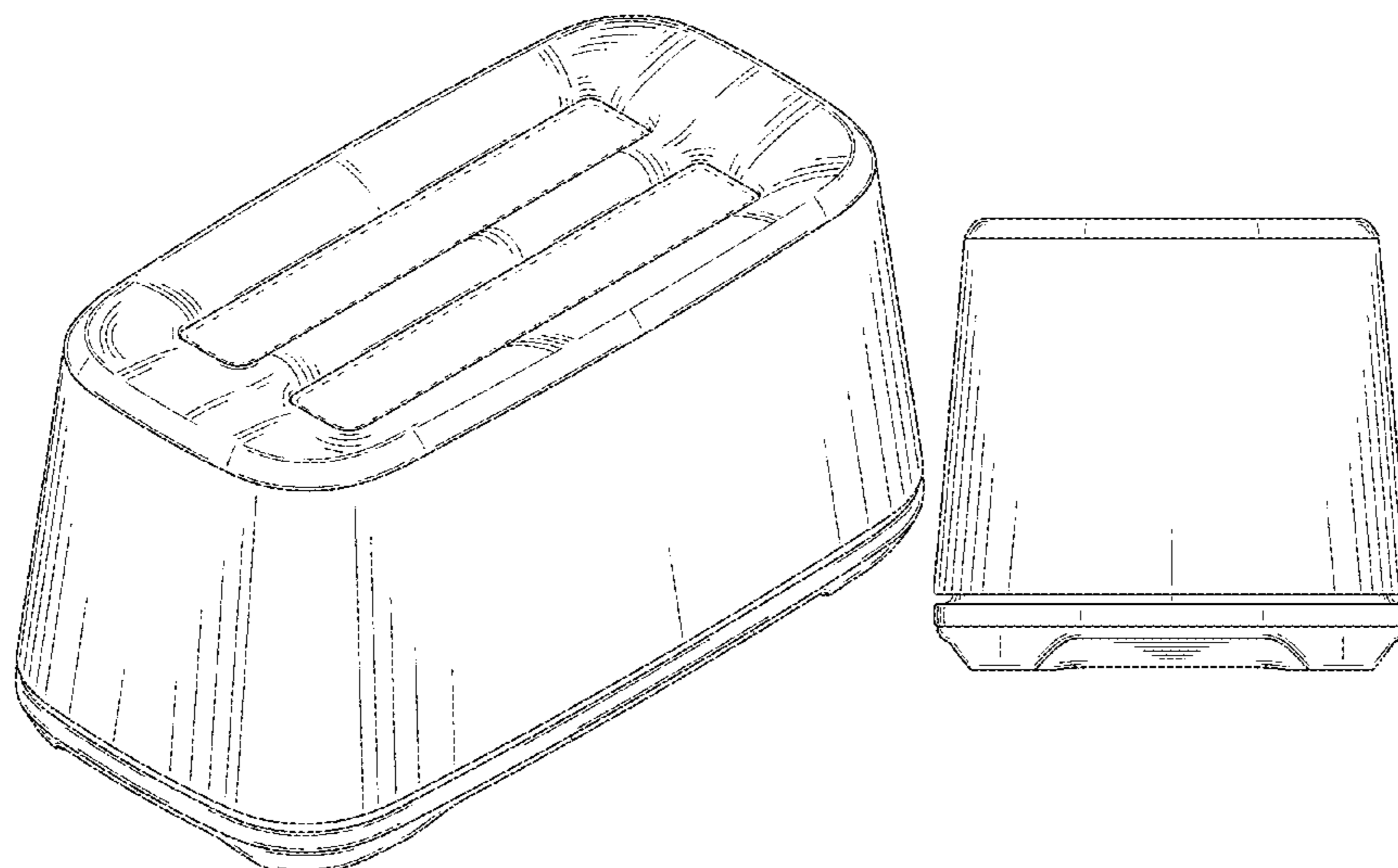
(57) **CLAIM**

The ornamental design for a toaster, as shown and described.

DESCRIPTION

FIG. 1 is a front perspective view of a toaster embodying the new design;
FIG. 2 is a front view of the design of FIG. 1.
FIG. 3 is a right side view of the design of FIG. 1.
FIG. 4 is a back view of the design of FIG. 1.
FIG. 5 is a left side view of the design of FIG. 1.
FIG. 6 is a top view of the design of FIG. 1; and,
FIG. 7 is a bottom view of the design of FIG. 1.
Portions of the toaster illustrated in broken lines form no part of the claimed design.

1 Claim, 7 Drawing Sheets



(56)

References Cited

U.S. PATENT DOCUMENTS

D688,509 S * 8/2013 Carlson D7/330
 D701,720 S * 4/2014 Palermo D7/330
 D707,071 S * 6/2014 Gort-Barten D7/330
 D724,885 S * 3/2015 Kunz D7/330
 D730,676 S * 6/2015 Palmer D7/330
 D746,093 S * 12/2015 Bazzicalupo D7/330
 D746,624 S * 1/2016 Sun D7/330
 D758,780 S * 6/2016 Affatato D7/330
 D758,781 S * 6/2016 Yuan D7/330
 D759,417 S * 6/2016 Carpenter D7/330
 D759,418 S * 6/2016 Affatato D7/330
 D761,610 S * 7/2016 Carpenter D7/330
 D765,456 S * 9/2016 Lee D7/330
 D791,526 S * 7/2017 Rose D7/330
 D794,995 S * 8/2017 Bond D7/330
 D796,890 S * 9/2017 De' Longhi D7/330
 D797,490 S * 9/2017 Averty D7/330
 D804,887 S * 12/2017 Lin D7/330
 D807,677 S * 1/2018 Ho D7/330
 D809,327 S 2/2018 Chalk et al.
 D812,408 S * 3/2018 Li D7/330
 D823,631 S * 7/2018 Gort-Barten D7/330
 D835,931 S * 12/2018 Del Conte D7/330
 D838,132 S * 1/2019 Kowalewski D7/330
 D839,654 S * 2/2019 Lin D7/330

D843,768 S * 3/2019 Miller D7/330
 D843,769 S * 3/2019 Chen D7/330
 D862,149 S * 10/2019 Gordon D7/330
 D862,966 S * 10/2019 Brook D7/330
 D886,505 S * 6/2020 Thun D7/330
 2003/0198001 A1* 10/2003 Lile A47J 37/0842
 361/157
 2014/0220210 A1* 8/2014 Turner A47J 37/0814
 426/496
 2020/0329911 A1* 10/2020 Starr A47J 37/0821

OTHER PUBLICATIONS

The best toasters of 2019, announced Feb. 8, 2019 [online], retrieved Nov. 4, 2020, retrieved from internet, <https://www.usatoday.com/story/tech/reviewedcom/2019/02/08/best-toasters-2019-breville-black-decker-cuisinart-hamilton-beach-kitchenaid/2811043002/>.*

The Lift & Look® Pro-2 Slice, announced 2014 [online], retrieved Nov. 4, 2020, retrieved from internet, <https://www.breville.com/au/en/products/toasters/bta720.html>.*

Breville's Newest Color Will Make Your Kitchen the Coolest Room in Your Home, announced Sep. 19, 2019 [online], retrieved Nov. 4, 2020, retrieved from internet, <https://www.foodandwine.com/lifestyle/kitchen/breville-new-luxe-appliance-colors>.*

* cited by examiner

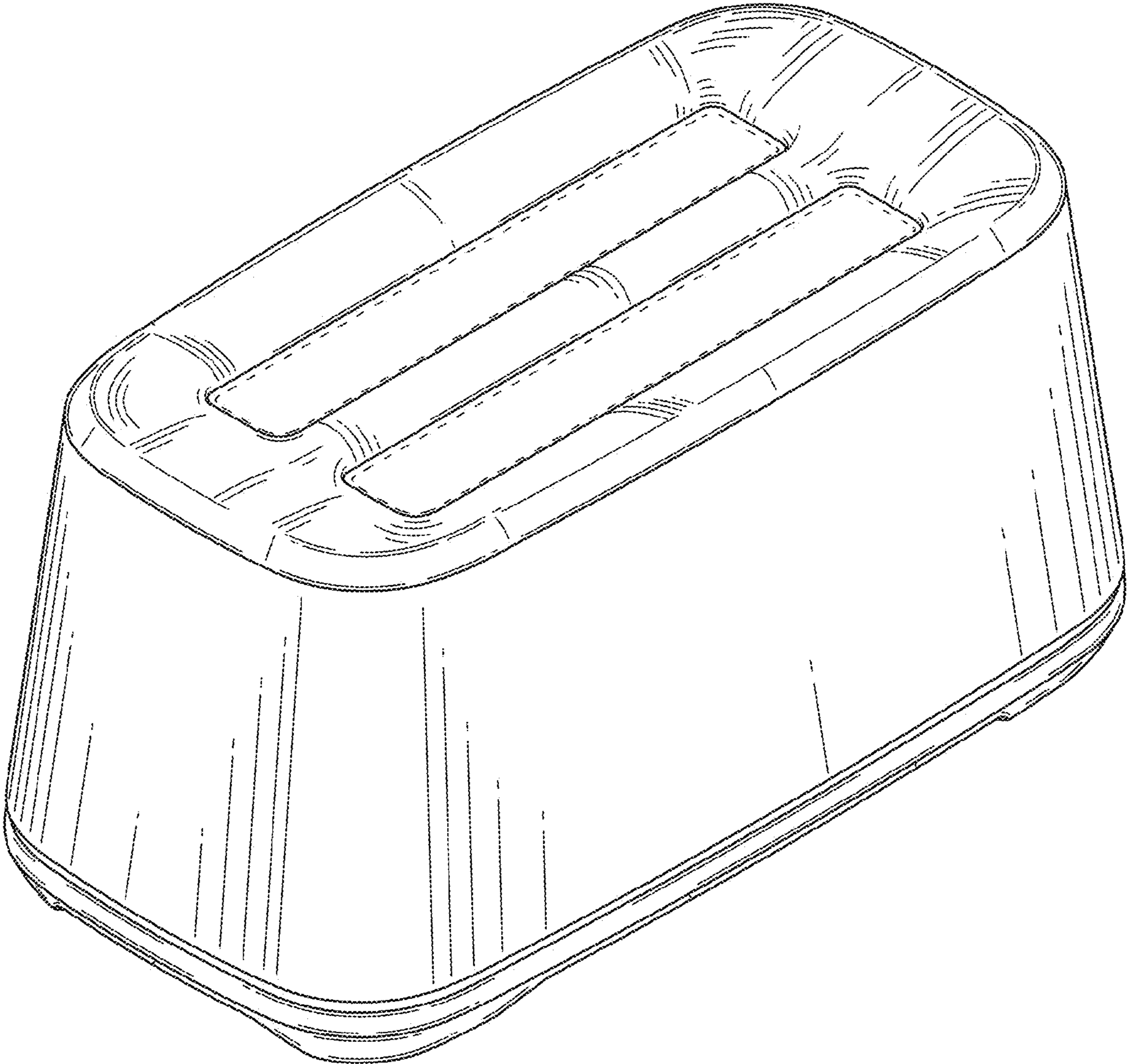


FIG. 1

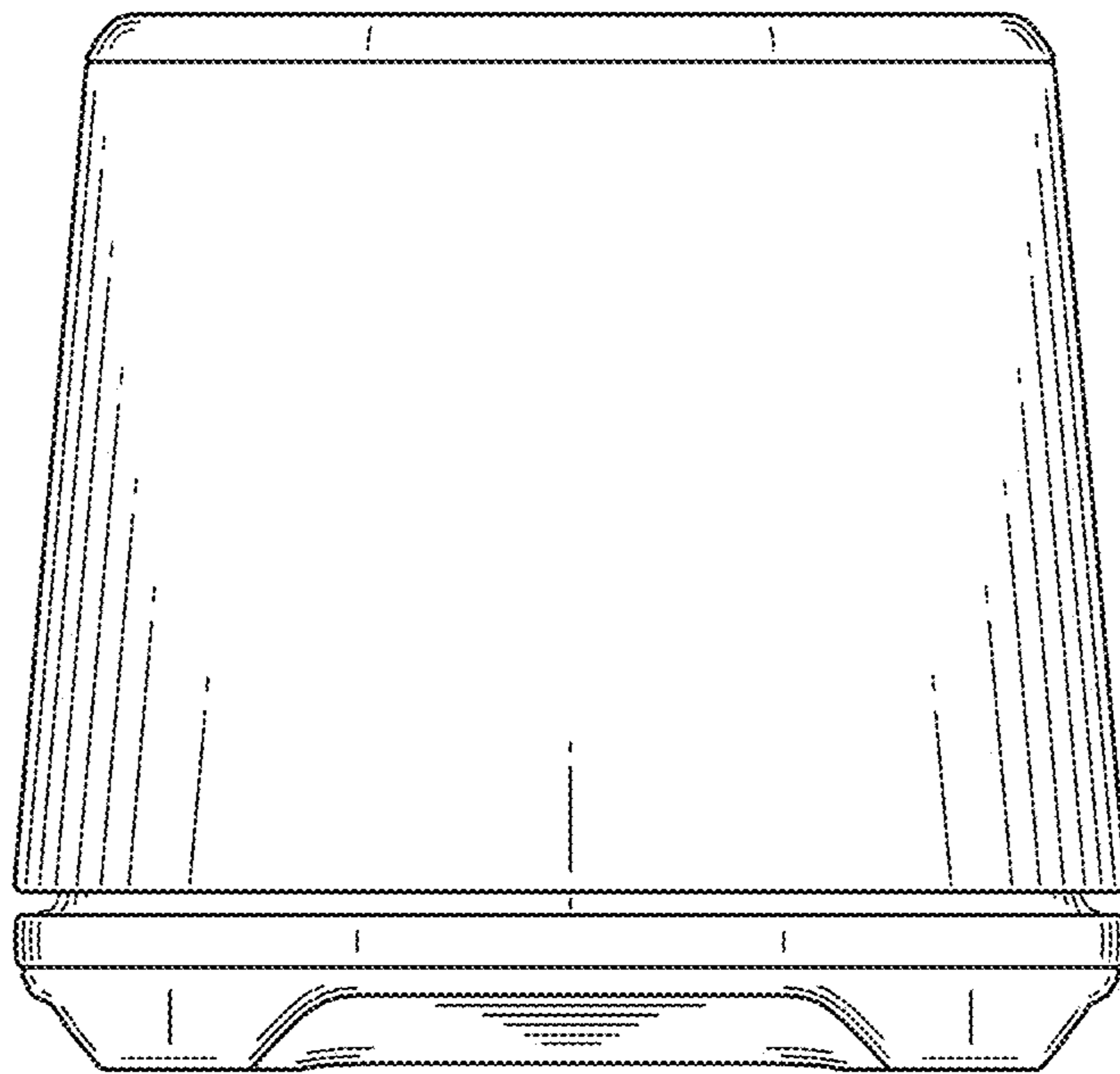


FIG. 2

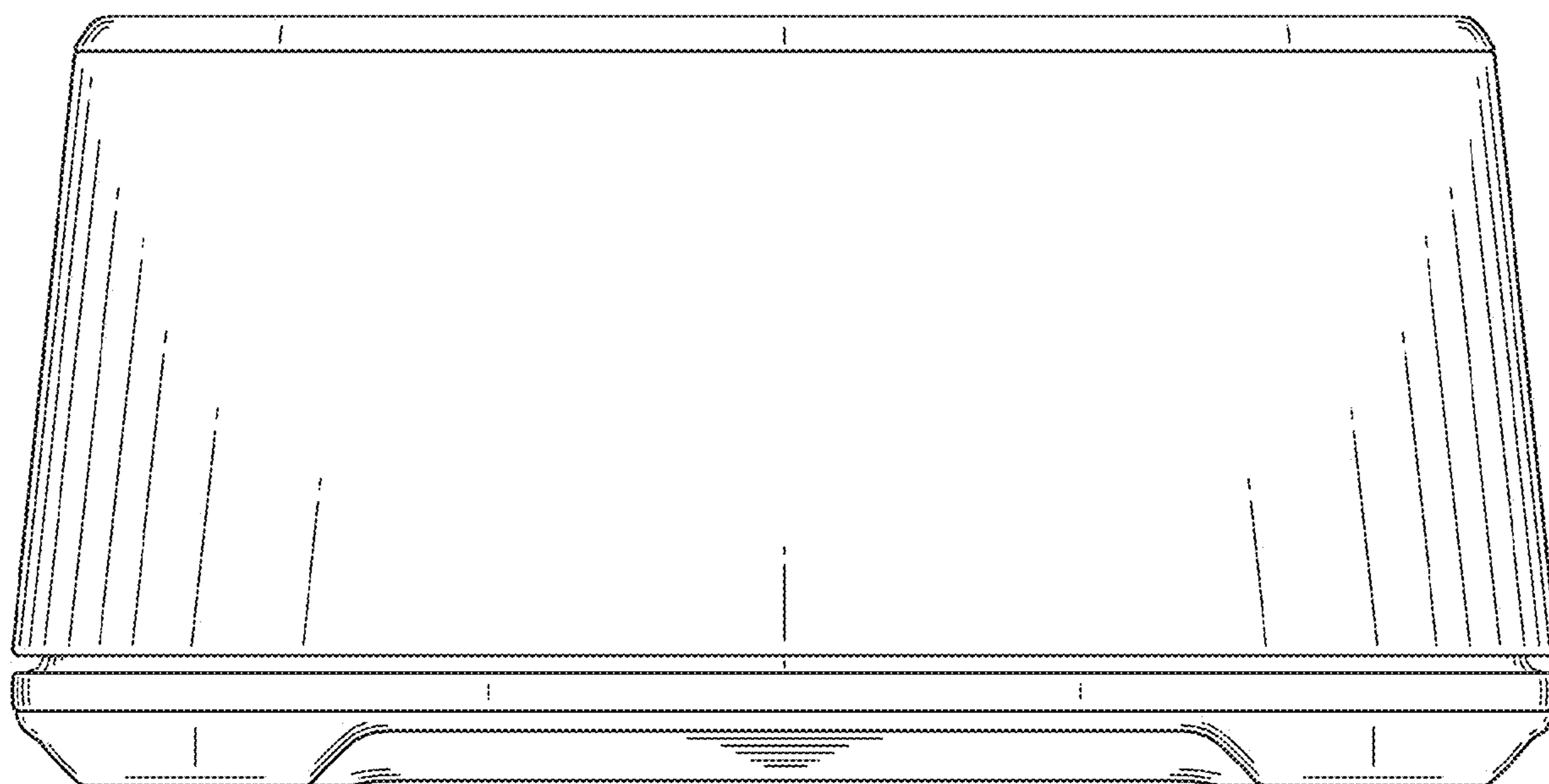


FIG. 3

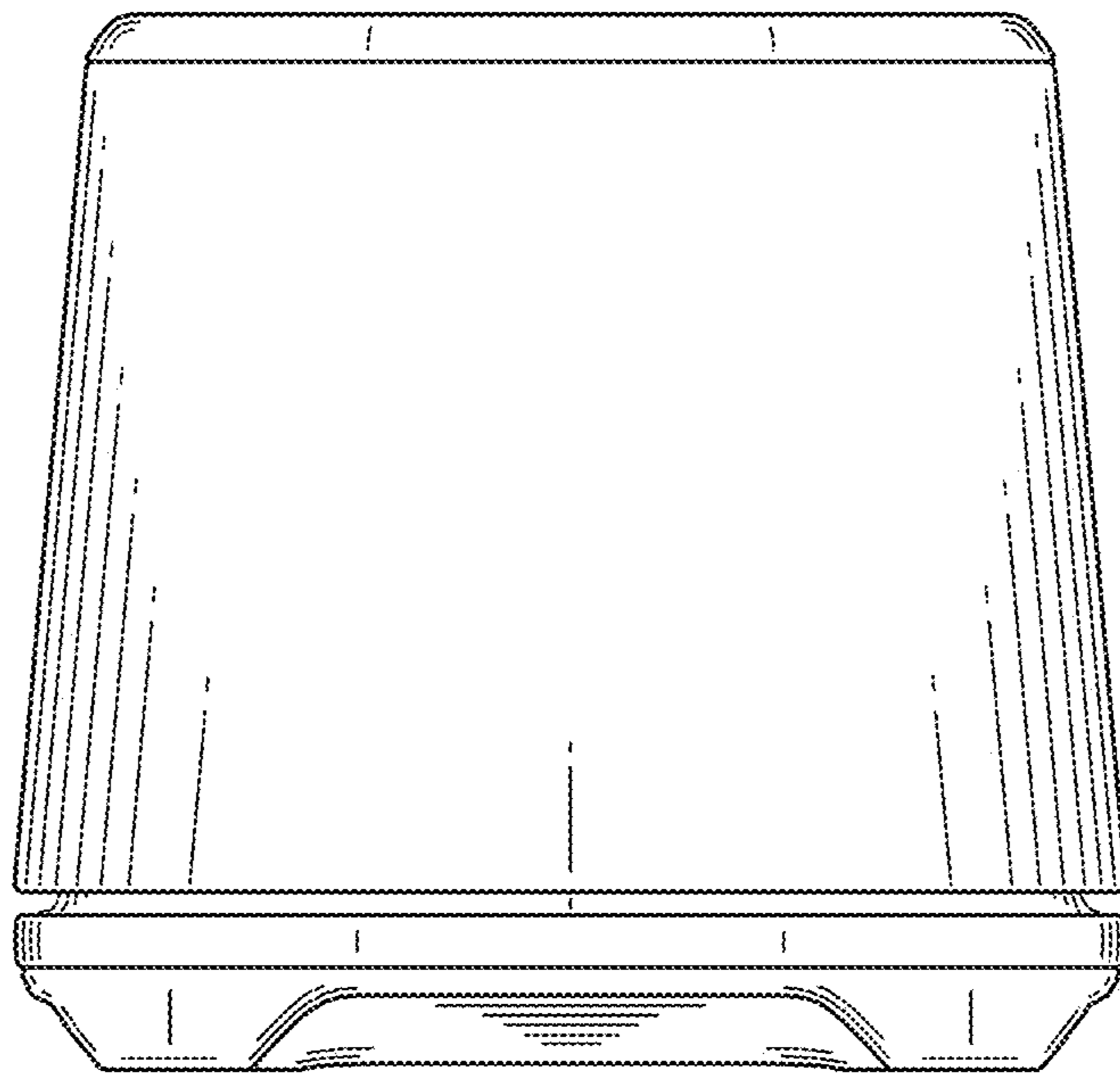


FIG. 4

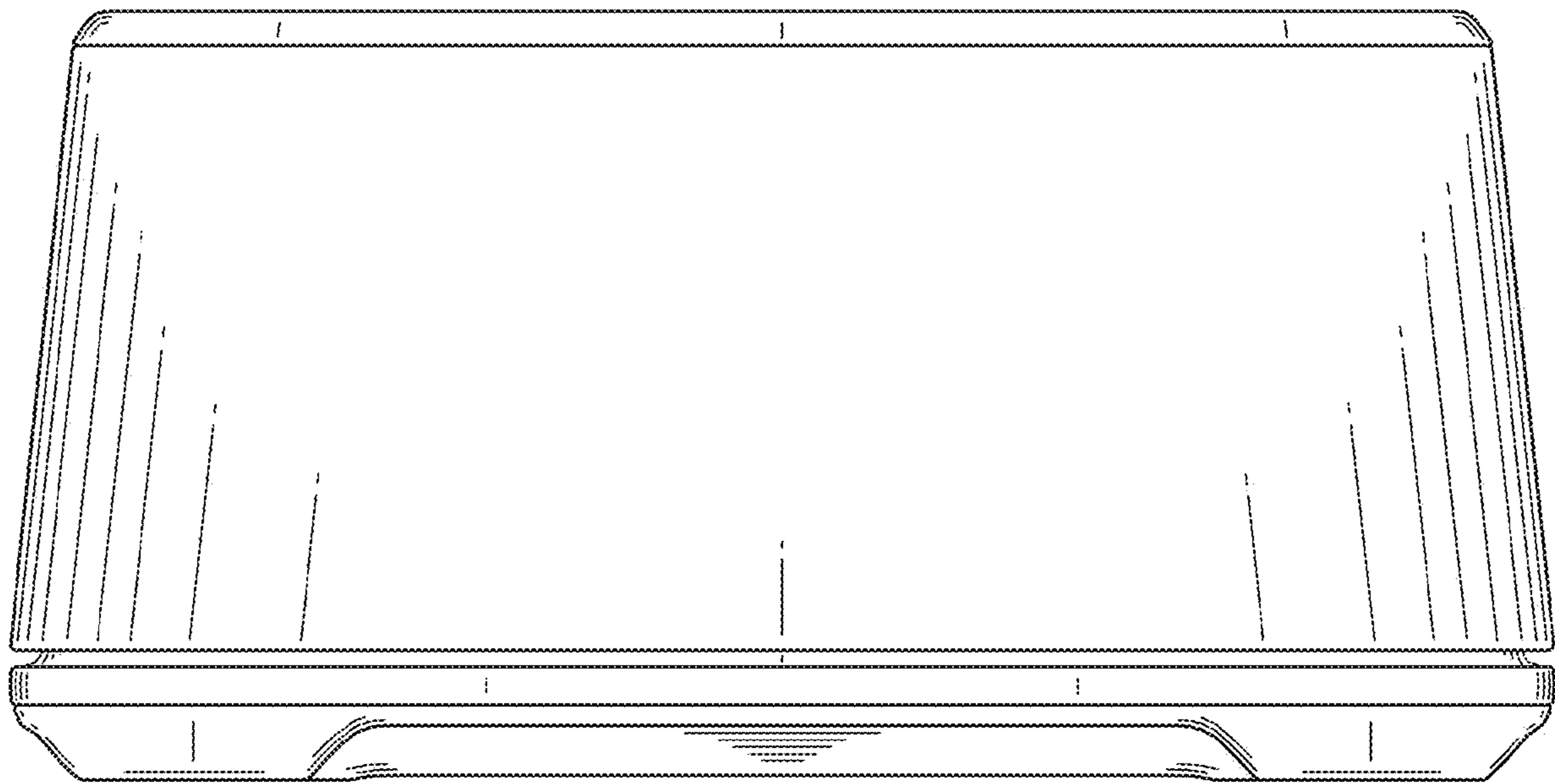


FIG. 5

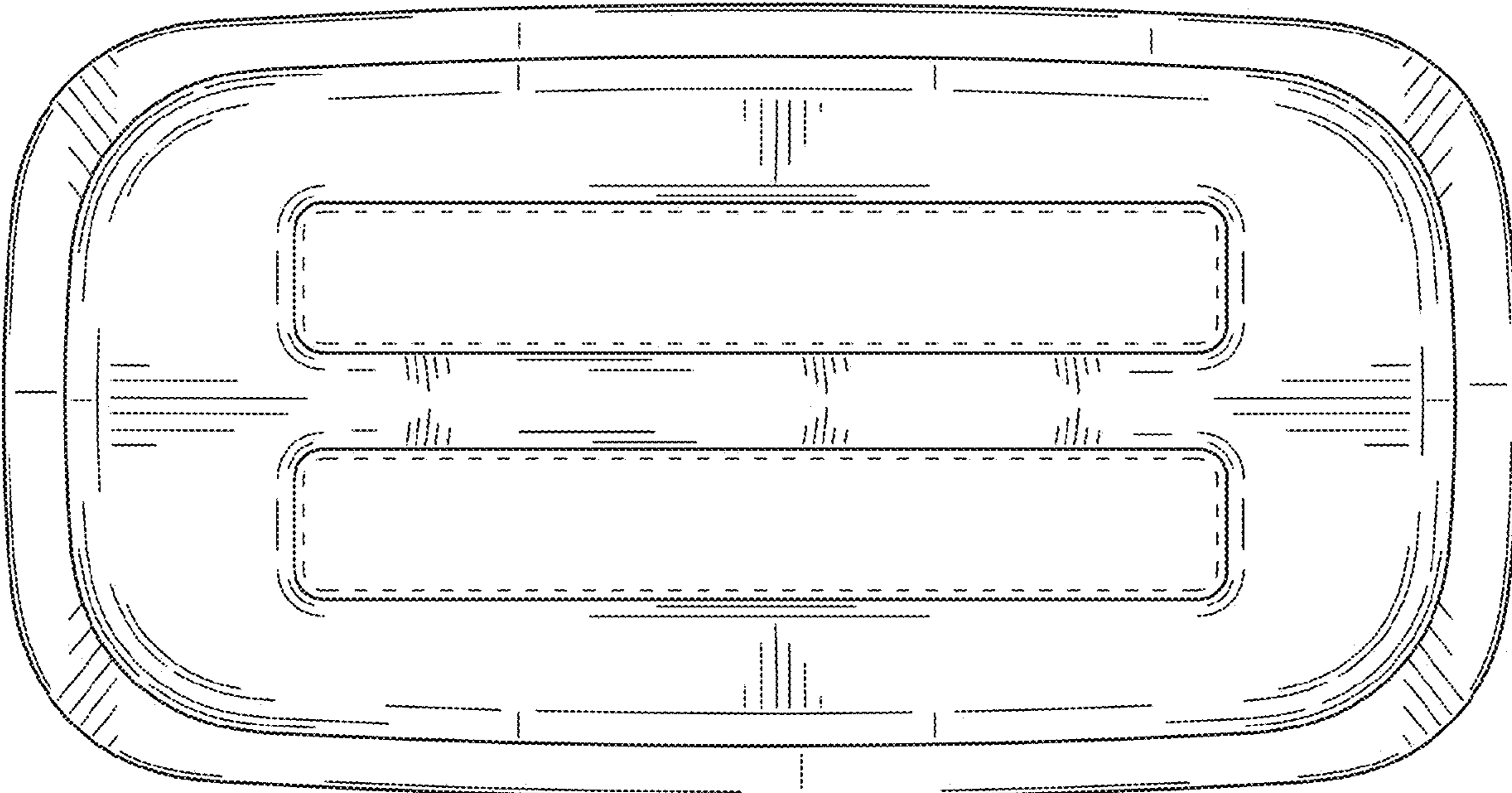


FIG. 6

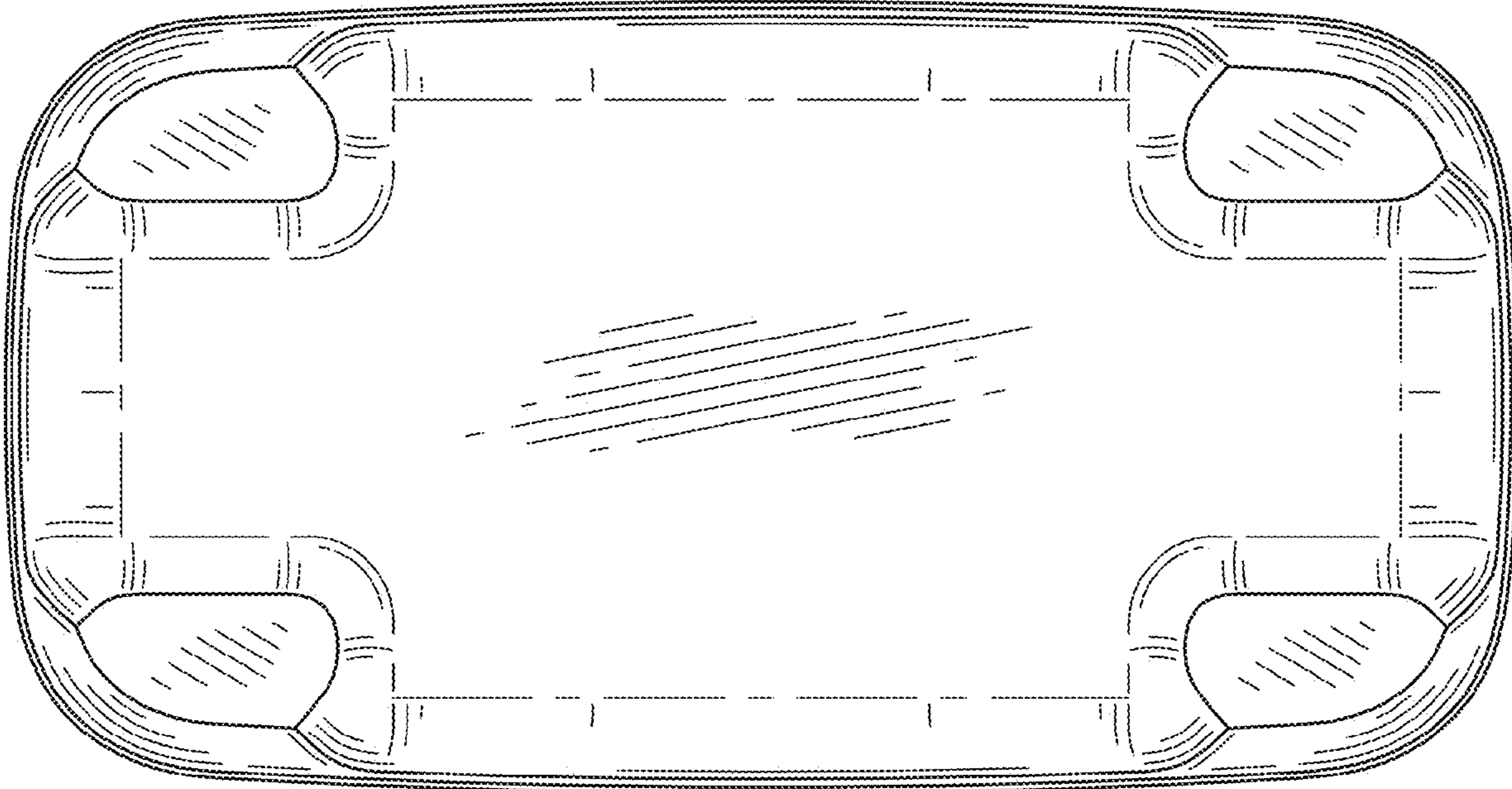


FIG. 7