



US00D927913S

(12) **United States Design Patent** (10) **Patent No.:** **US D927,913 S**
Yoo et al. (45) **Date of Patent:** **** Aug. 17, 2021**

(54) **FEEDING BOTTLE WARMER**

- (71) Applicant: **LG ELECTRONICS INC.**, Seoul (KR)
- (72) Inventors: **Taewoo Yoo**, Seoul (KR); **Nayeoung Kim**, Seoul (KR); **Jinsu Kim**, Seoul (KR); **Kyoungmin Baek**, Seoul (KR); **Hyojin Won**, Seoul (KR); **Hyunwoo Yoo**, Seoul (KR); **Hyejin Choi**, Seoul (KR)
- (73) Assignee: **LG ELECTRONICS INC.**, Seoul (KR)

- (**) Term: **15 Years**
- (21) Appl. No.: **29/712,216**
- (22) Filed: **Nov. 6, 2019**

(30) **Foreign Application Priority Data**

- May 10, 2019 (WO) WIPO83400
- (51) **LOC (13) Cl.** **07-02**
- (52) **U.S. Cl.**
USPC **D7/326**
- (58) **Field of Classification Search**
USPC D7/306, 309, 323, 326, 327, 338, 372,
D7/373, 374, 375, 376, 377, 378, 379,
(Continued)

(56) **References Cited**

U.S. PATENT DOCUMENTS

- 1,547,658 A * 7/1925 Kunze G03B 9/08
396/510
- 2,843,719 A * 7/1958 Smith A47J 36/2433
392/336

(Continued)

FOREIGN PATENT DOCUMENTS

- CN 201930608991.5 * 11/2019

OTHER PUBLICATIONS

Bottle Warmer and All Adapters, no announcement date [online], retrieved Nov. 18, 2020, retrieved from internet, https://shop.mother.ly/products/baby-shower-set-warmer-all-adapters-single-warmer?variant=33042780913746&gclid=Cj0KCQiAqdP9BRDVARIsAGSZ8Anxxn94hs5VShz62NZ5bUM1FfiwuRdcR9PyzsPmrSFBjv6irmHWgllaAkb3EALw.*

(Continued)

Primary Examiner — Dana K Weiland

Assistant Examiner — Messina L Smith

(74) *Attorney, Agent, or Firm* — Birch, Stewart, Kolasch & Birch LLP

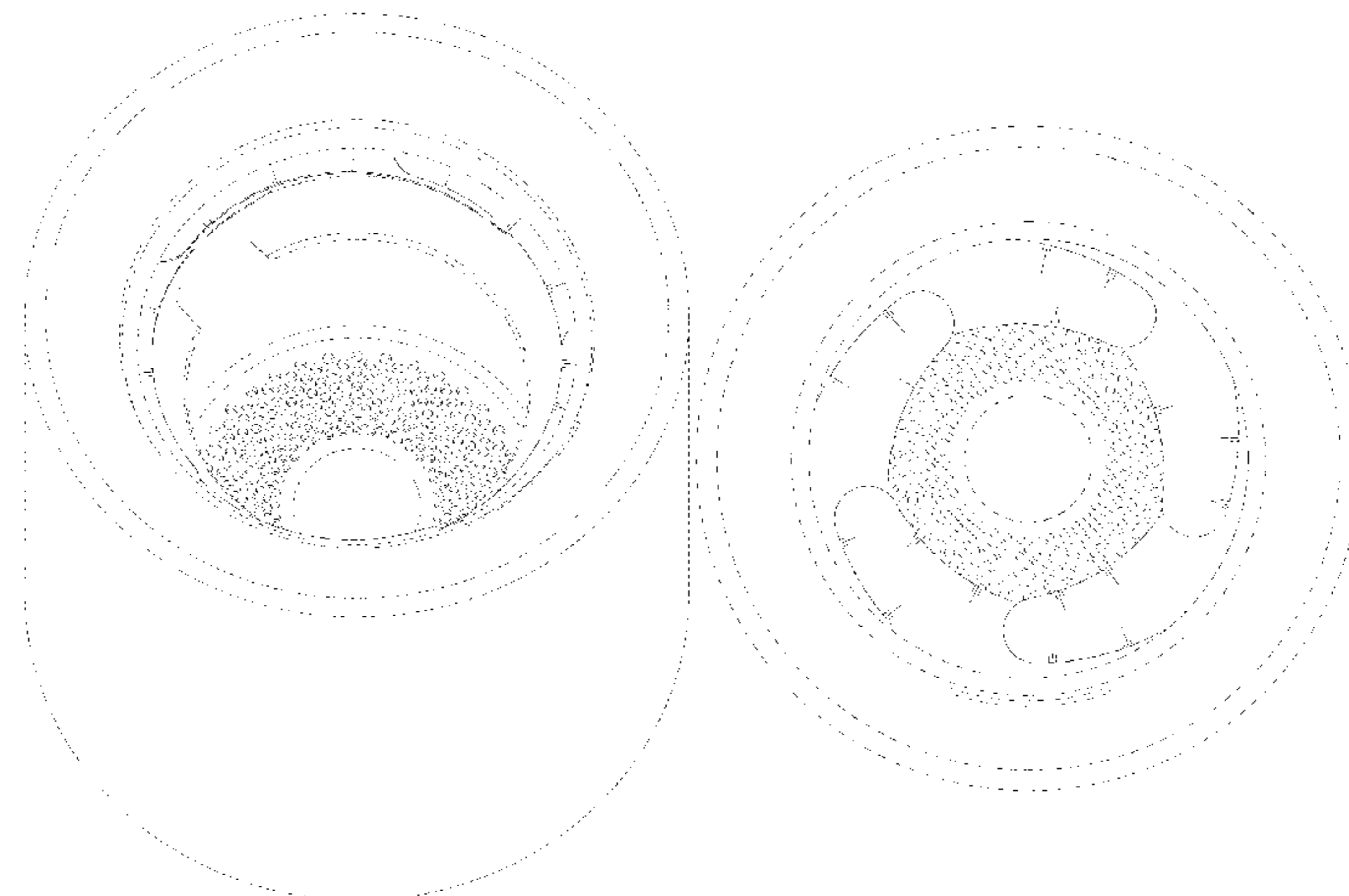
(57) **CLAIM**

The ornamental design for a feeding bottle warmer, as shown and described.

DESCRIPTION

FIG. 1 is a front perspective view of the feeding bottle warmer;
 FIG. 2 is a front view thereof;
 FIG. 3 is a rear view thereof;
 FIG. 4 is a left view thereof where the right view is a mirror image;
 FIG. 5 is a top view thereof;
 FIG. 6 is a bottom view thereof;
 FIG. 7 is a left top perspective view thereof;
 FIG. 8 is a front perspective view of the feeding bottle warmer shown in an alternate configuration;
 FIG. 9 is a front view of FIG. 8;
 FIG. 10 is a back view of FIG. 8;
 FIG. 11 is a left view of FIG. 8;
 FIG. 12 is a top view of FIG. 8;
 FIG. 13 is a bottom view of FIG. 8;
 FIG. 14 is a left top perspective view of FIG. 8; and,
 FIG. 15 is a perspective view of the feeding bottle warmer shown in an environment of use with a bottle.
 The broken line showing of the bottle in FIG. 15 is for environmental purposes only and forms no part of the

(Continued)



claimed design. All other broken lines in the drawings depict portions of the feeding bottle warmer that form no part of the claimed design.

1 Claim, 15 Drawing Sheets

(58) **Field of Classification Search**

USPC D7/380, 381, 382, 383, 384, 385, 386,
D7/402, 412, 413, 598, 602, 612, 629,
D7/694, 669, 679, 619.1
CPC .. A47J 43/04; A47J 43/25; A47J 43/27; A47J
43/042; A47J 43/044; A47J 43/046; A47J
43/075; A47J 43/0722; A47J 43/0727;
A47J 42/40; A21C 1/02; A21C 1/04;
A23G 9/045; A23N 1/00; A23N 1/02;
B01F 3/00; B01F 3/0807; B01F 3/0853;
B01F 13/0059; B01F 13/0064; B02C
1/08; B02C 4/42; B02C 4/142; B02C
4/143; B02C 4/423; B02C 13/1835; B28C
5/10; B28C 5/12; B28C 5/14; B28C 5/16

See application file for complete search history.

(56) **References Cited**

U.S. PATENT DOCUMENTS

D257,549 S * 11/1980 Chapman D10/46.2
D315,743 S * 3/1991 Martin D16/219
D378,972 S * 4/1997 Hug D7/381
D394,581 S * 5/1998 Paris D7/326
D479,940 S * 9/2003 English D7/338
D516,872 S * 3/2006 Rigberg D7/619.1

D581,723 S * 12/2008 Pan D23/261
8,087,528 B1 * 1/2012 Scarlett A47G 23/0216
220/23.89
D715,810 S * 10/2014 Tsukamoto D14/485
D776,428 S * 1/2017 Grebinoski D3/259
D777,526 S * 1/2017 Polack D7/619.1
D789,136 S * 6/2017 Russillo D7/326
D799,889 S * 10/2017 McClory D7/375
D799,890 S * 10/2017 McClory D7/375
D894,668 S * 9/2020 Feng D7/380
D894,681 S * 9/2020 Julian D7/412
D894,682 S * 9/2020 Julian D7/412
D897,752 S * 10/2020 Zhang D7/326
2008/0099505 A1 * 5/2008 Lawlor B60N 3/106
222/93
2019/0075973 A1 * 3/2019 Charleson B65D 47/142
2019/0343313 A1 * 11/2019 Sanborn A47G 23/0266

OTHER PUBLICATIONS

Baby Bottle Warmer, announced May 27, 2019 [online], retrieved Nov. 18, 2020, retrieved from internet, <https://www.amazon.com/Eccomum-Display-Accurate-Temperature-Constant/dp/B07QW94F8G>.*

Cup Holder Insert for Tesla Model 3 and Model Y, announced © 2018-2020 [online], retrieved Nov. 18, 2020, retrieved from internet, <https://evannex.com/products/tesla-cup-holder-insert>.*

What is the aperture width of a camera?, announced Nov. 15, 2011 [online], retrieved Nov. 20, 2020, retrieved from internet, <https://www.quora.com/What-is-the-aperture-width-of-a-camera>.*

What is Aperture? Understand Camera Aperture Guide, announced © 2020 [online], retrieved Nov. 20, 2020, retrieved from internet, <https://cameraharmony.com/aperture-explained/>.*

* cited by examiner

FIG. 1

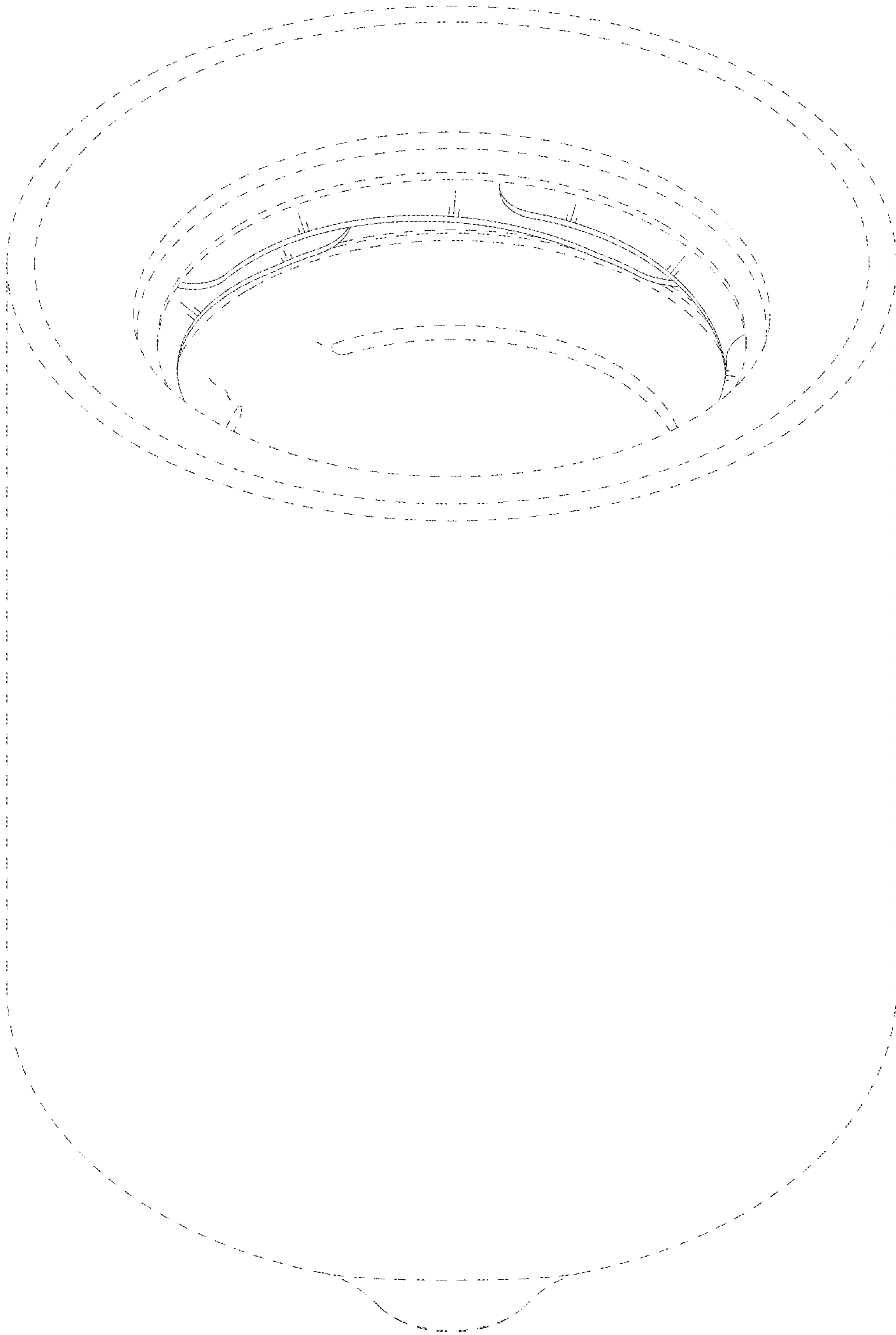


FIG. 2



FIG. 3

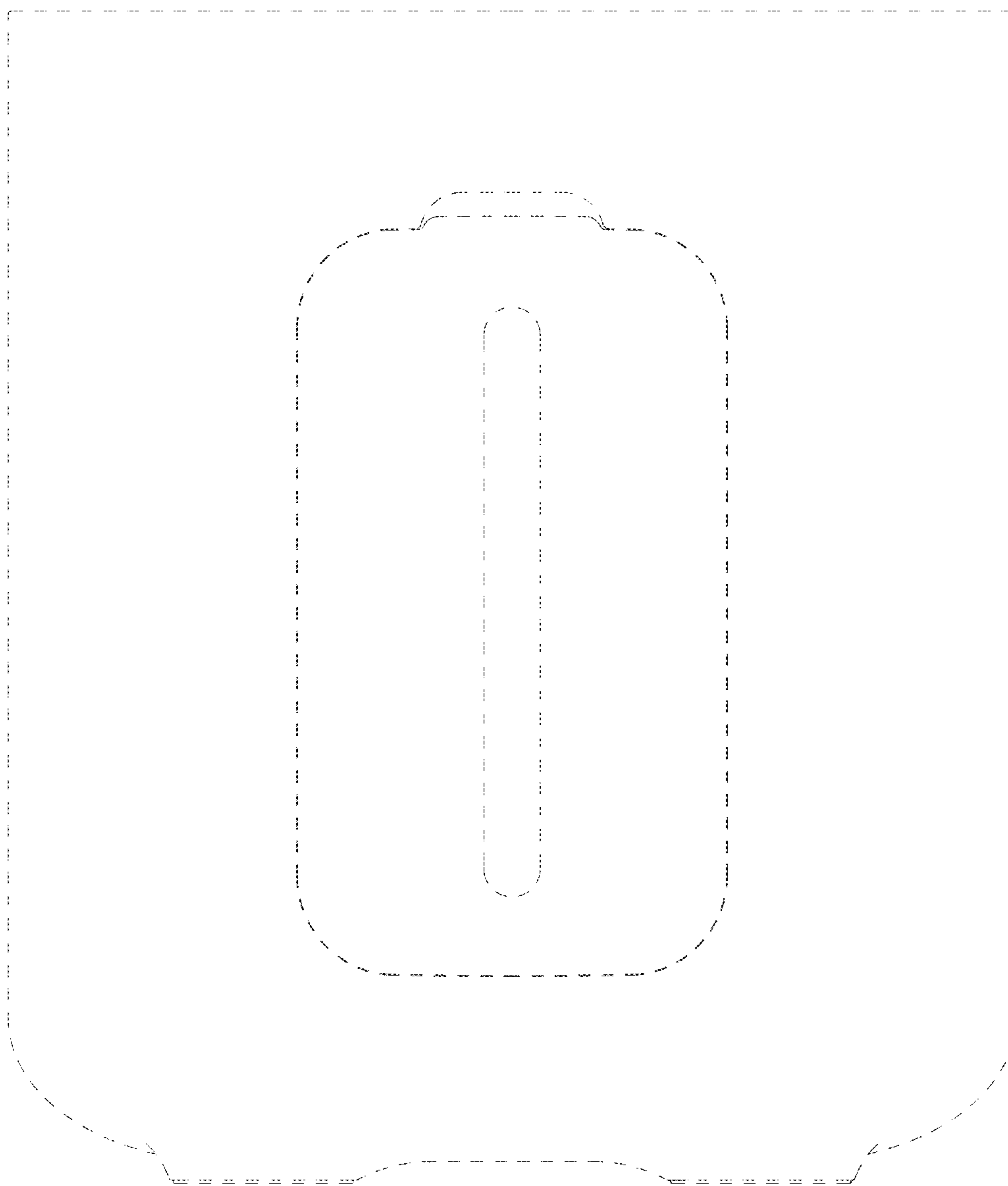


FIG. 4



FIG. 5

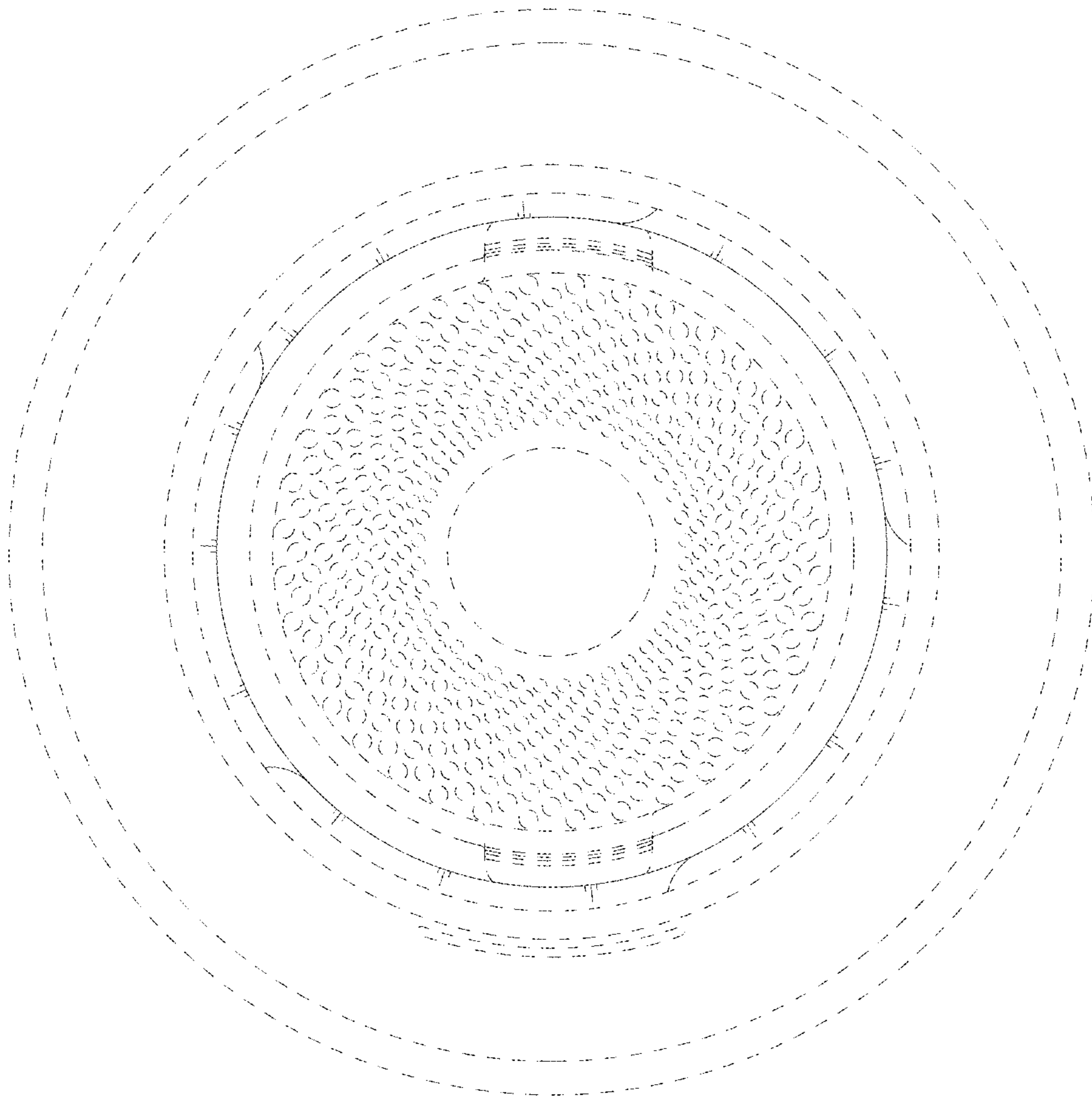


FIG. 6

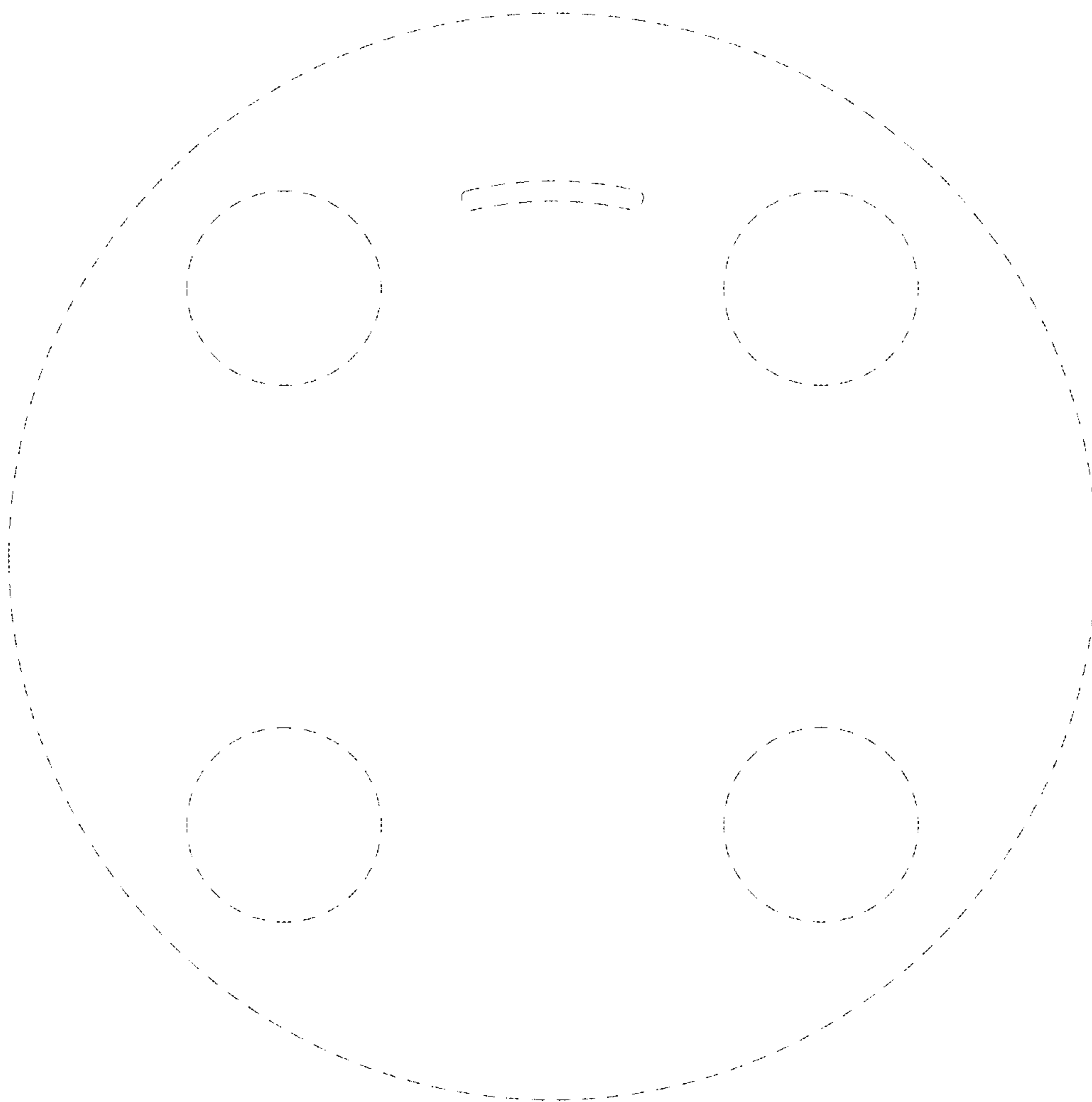


FIG. 7

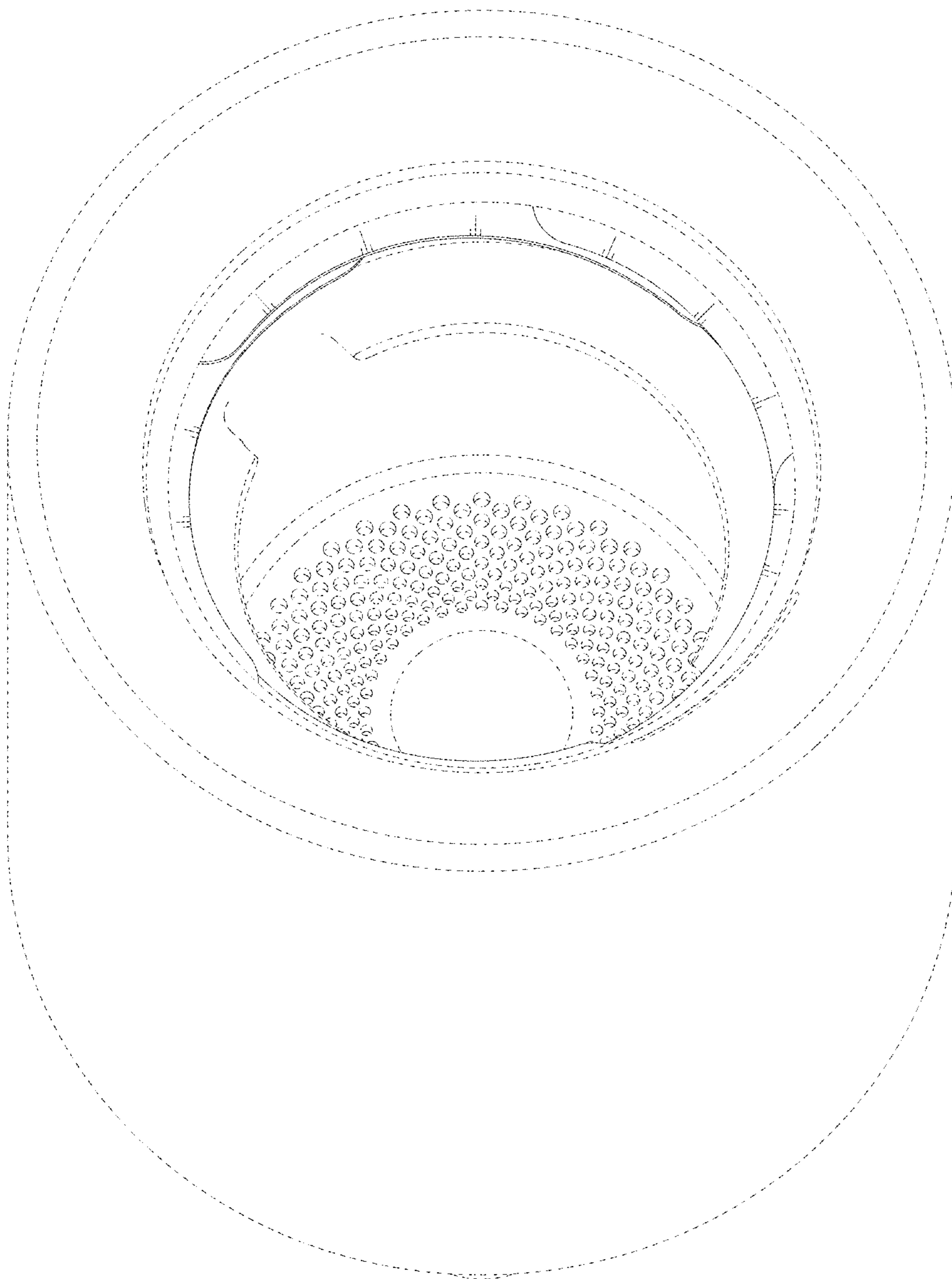


FIG. 8

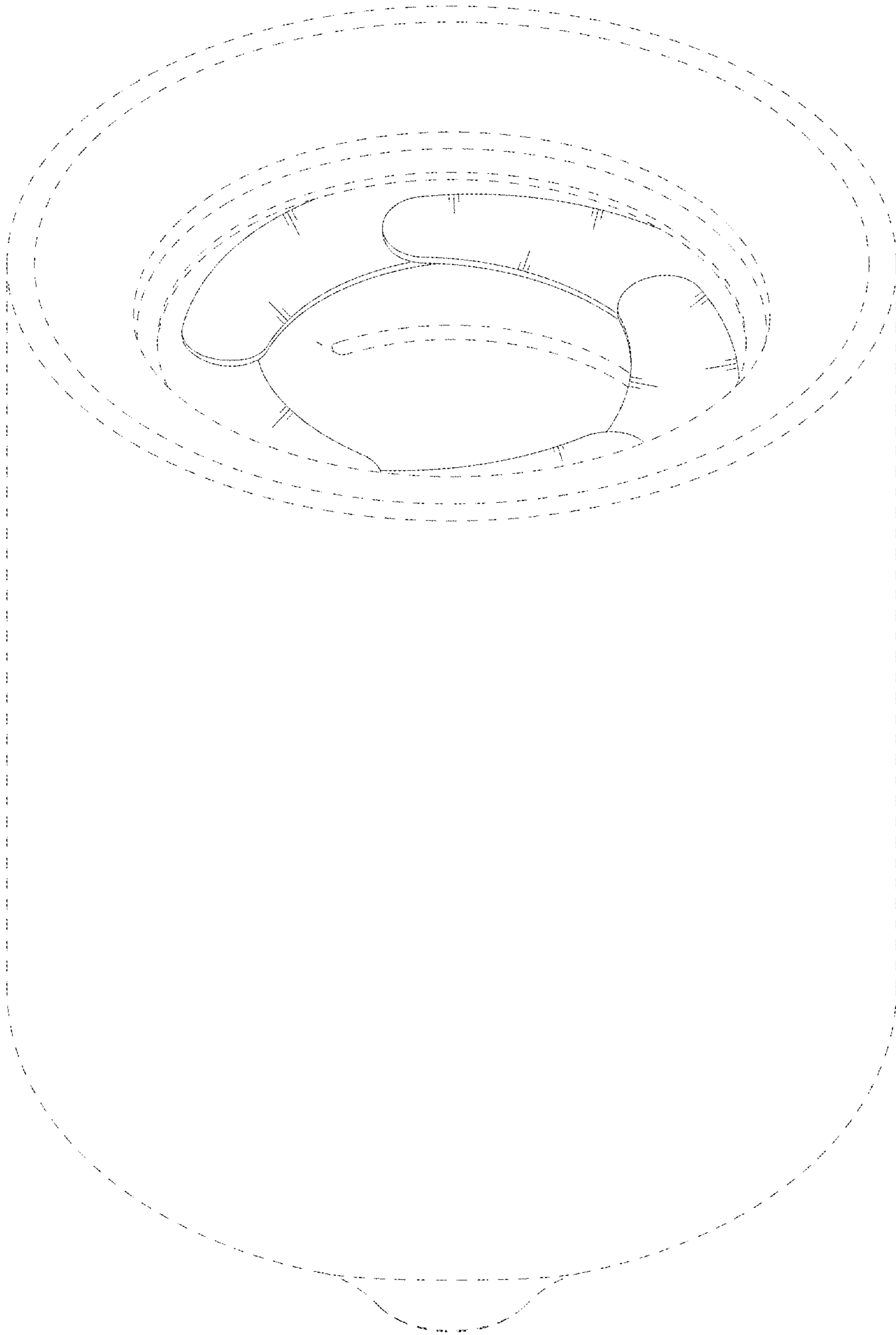


FIG. 9



FIG. 10

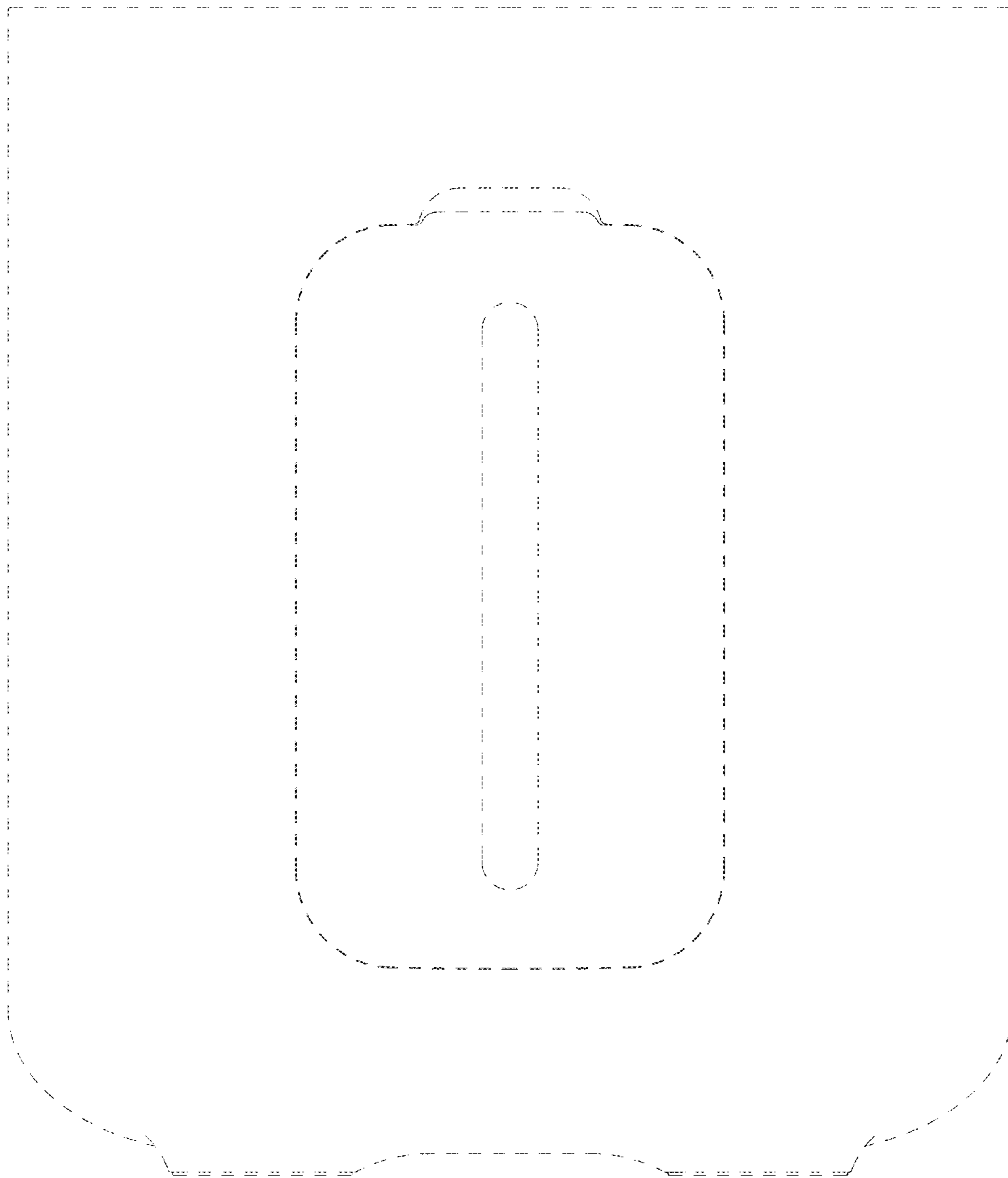


FIG. 11



FIG. 12

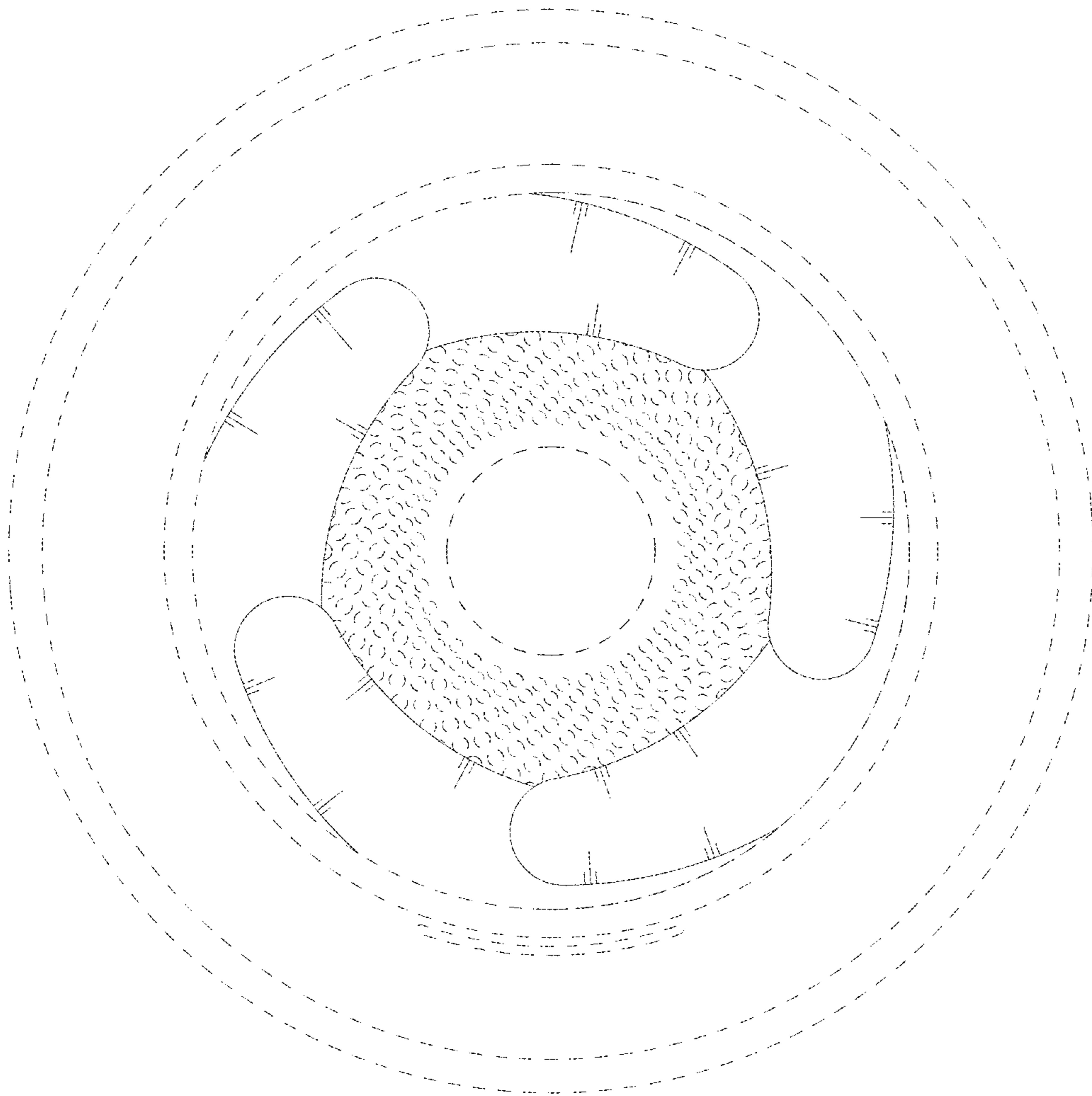


FIG. 13

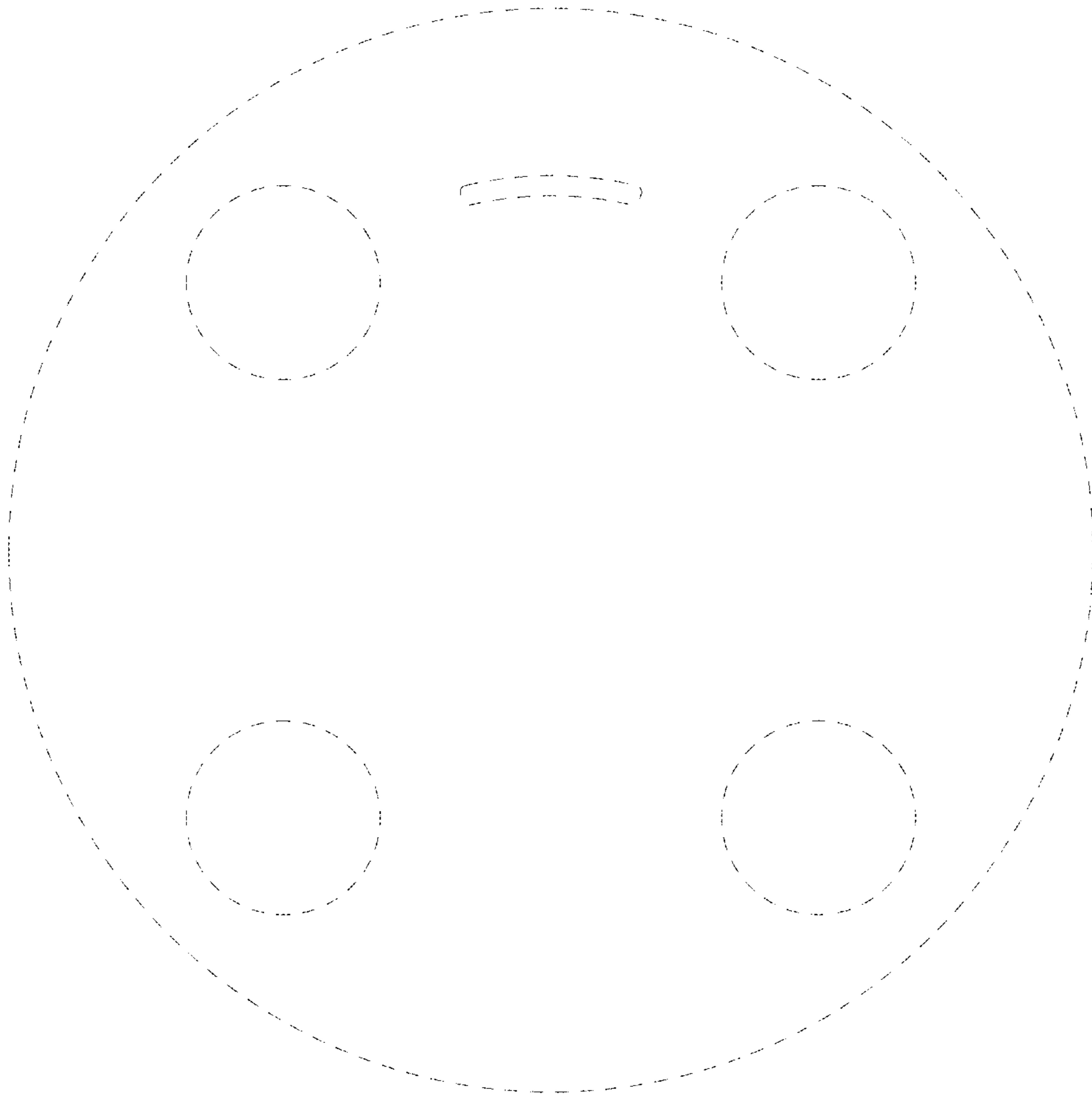


FIG. 14

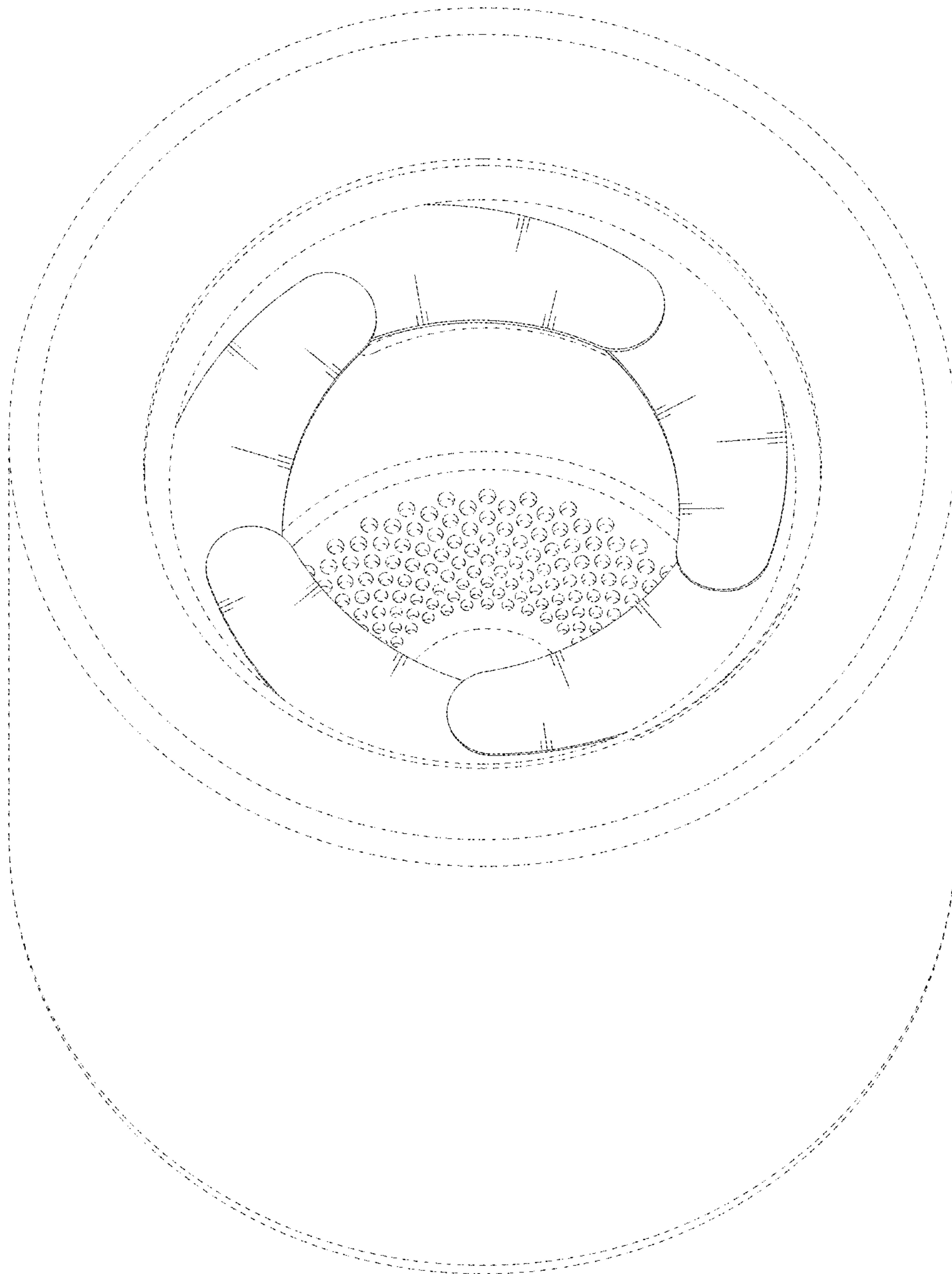


FIG. 15

