



US00D927912S

(12) **United States Design Patent**
Lee et al.

(10) **Patent No.:** **US D927,912 S**

(45) **Date of Patent:** **** Aug. 17, 2021**

(54) **COFFEE MAKER**

(71) Applicant: **Helen of Troy Limited**, St. Michael (BB)

(72) Inventors: **Edward Lee**, Brooklyn, NY (US);
Christopher Diskin, New York, NY (US)

(73) Assignee: **Helen of Troy Limited**, St. Michael (BB)

(**) Term: **15 Years**

(21) Appl. No.: **29/721,296**

(22) Filed: **Jan. 20, 2020**

(51) **LOC (13) Cl.** **07-02**

(52) **U.S. Cl.**
USPC **D7/309**

(58) **Field of Classification Search**
USPC D7/300, 304–322, 372–373, 376,
D7/397–401, 415; D20/4, 5; D23/201,
D23/207, 366; D24/216–217, 219, 224;
99/292, 293
CPC A47J 31/00; A47J 31/002; A47J 31/04;
A47J 31/043; A47J 31/057; A47J 31/007;
A47J 31/10; A47J 31/14; A47J 31/40;
A47J 31/407; A47J 31/42; B67D 1/00;
B67D 1/0043

See application file for complete search history.

(56) **References Cited**

U.S. PATENT DOCUMENTS

D270,699 S *	9/1983	Rakocy	D7/309
D345,484 S *	3/1994	Mason	D7/309
D430,770 S *	9/2000	Kirkwood	D7/307
D432,861 S *	10/2000	Lord	D7/309
D454,023 S *	3/2002	Wang	D7/309
D498,110 S *	11/2004	Picozza	D7/309
D511,066 S *	11/2005	Garner	D7/309
D584,098 S *	1/2009	Webster	D7/306

D604,087 S *	11/2009	Lavy	D7/309
D721,531 S *	1/2015	Krasne	D7/309
D742,680 S *	11/2015	Burrows	D7/309
D862,963 S	10/2019	Lee	
D863,857 S *	10/2019	Umholtz	D7/310

OTHER PUBLICATIONS

How to Use the OXO Brew 8-Cup Coffee Maker, first available Jul. 22, 2020, YouTube, [online], [site visited Jun. 23, 2020], Available from internet URL: <https://www.youtube.com/watch?v=Mnu7DR603Hg> (Year: 2020).*

(Continued)

Primary Examiner — Mary Ann Calabrese

Assistant Examiner — Natalya M Rapundalo

(74) *Attorney, Agent, or Firm* — Rankin, Hill & Clark LLP

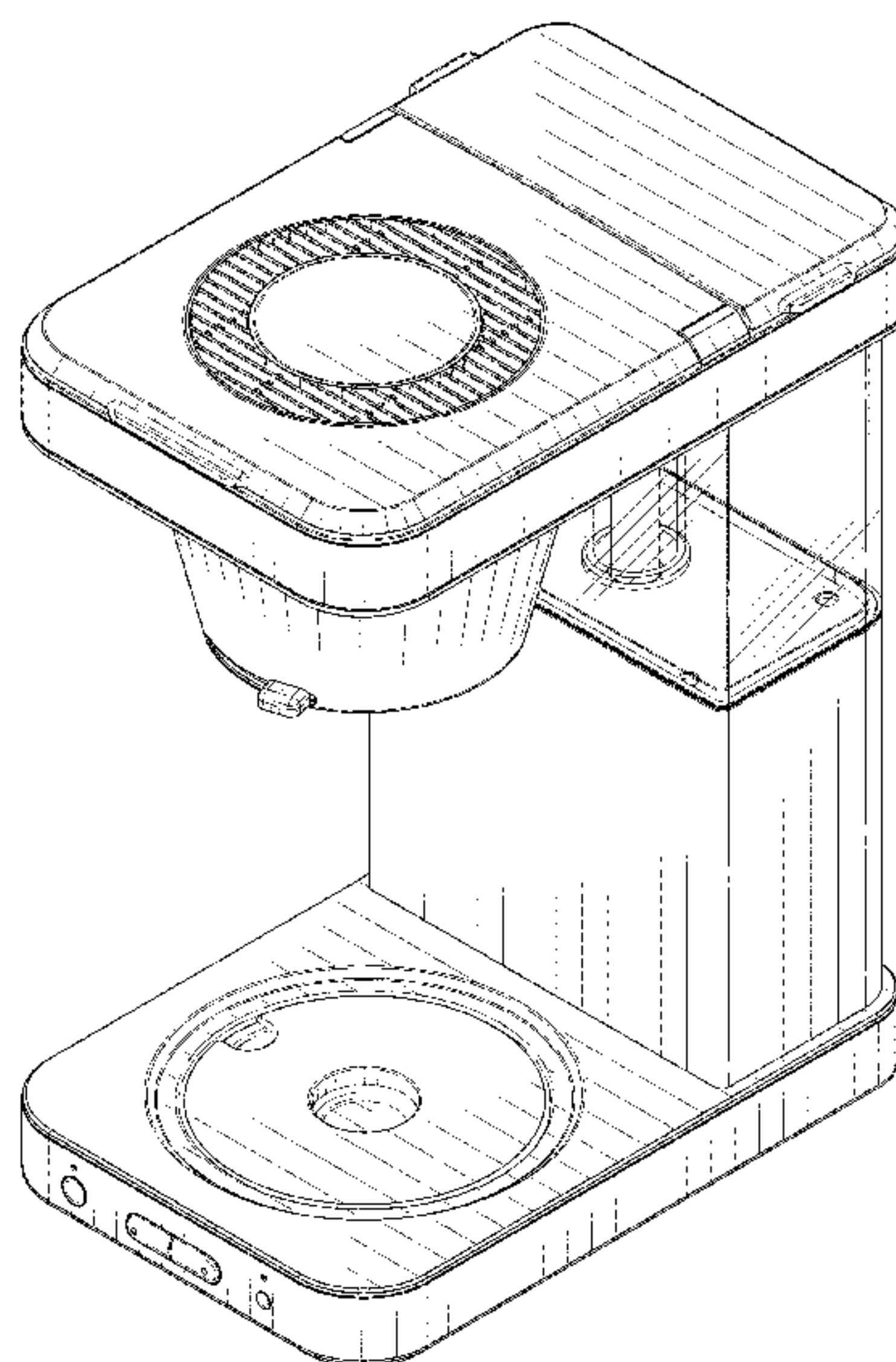
(57) **CLAIM**

The ornamental design for a coffee maker, as shown and described.

DESCRIPTION

FIG. 1 is a right front perspective view of a coffee maker with a well cover in a first orientation; FIG. 2 is a front elevation view thereof; FIG. 3 is a rear elevation view thereof; FIG. 4 is a left side elevation view thereof; FIG. 5 is a right side elevation view thereof; FIG. 6 is a top plan view thereof; FIG. 7 is a bottom plan view thereof; FIG. 8 left front perspective view thereof; FIG. 9 is a right front perspective view thereof with the well cover in a second orientation; and, FIG. 10 is a left front perspective view thereof with the well cover in a second orientation. The broken lines in the drawings depict portions of the coffee maker that form no part of the claimed design.

1 Claim, 10 Drawing Sheets



(56)

References Cited

OTHER PUBLICATIONS

OXO Brew 8 Cup Coffee Maker, Amazon, [online], [site visited Jun. 23, 2021], Available from internet URL: <https://www.amazon.com/OXO-Cup-Coffee-Maker-8718800/dp/B07H9G93WK> (Year: 2021).*

* cited by examiner

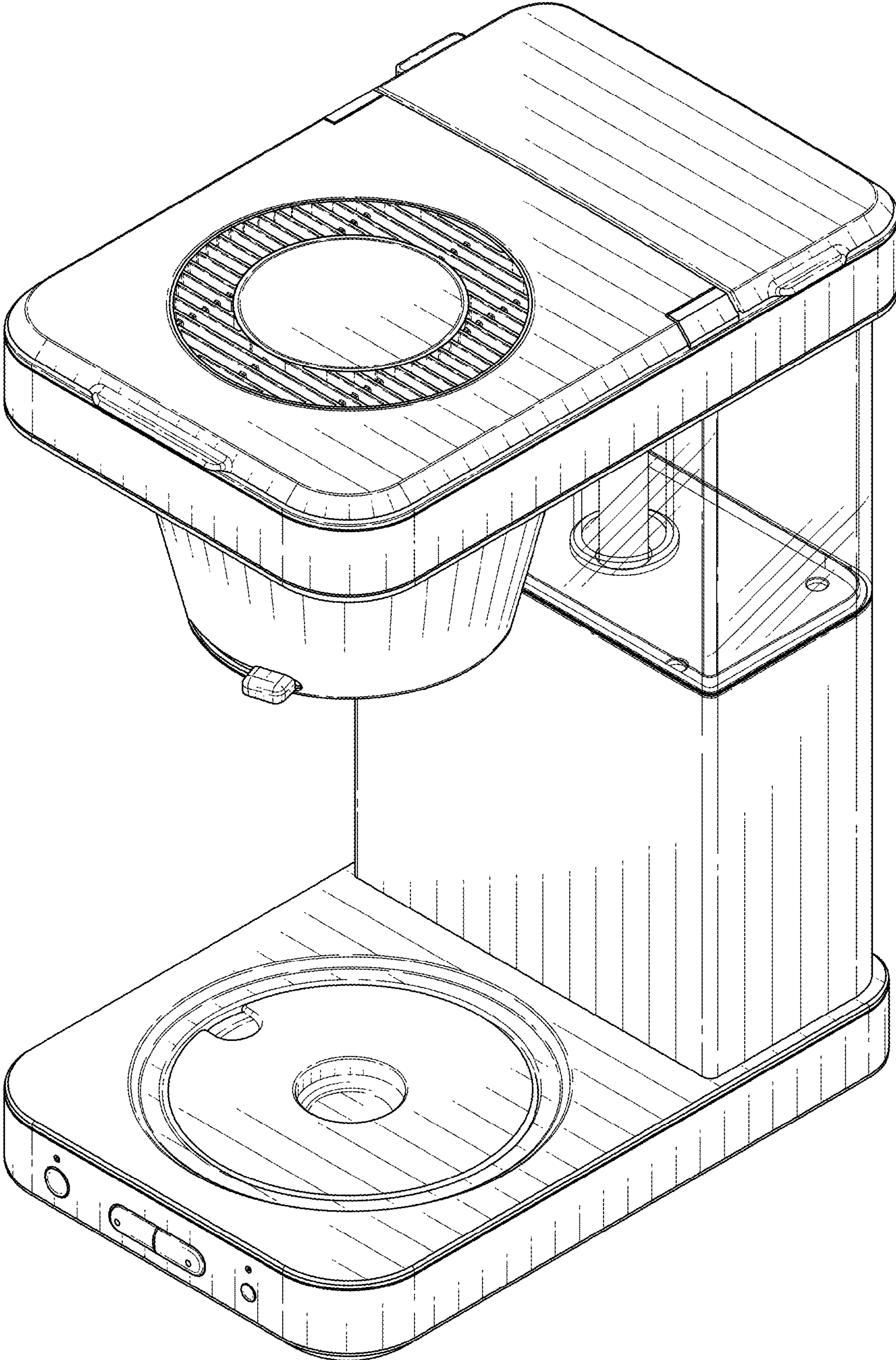


FIG. 1

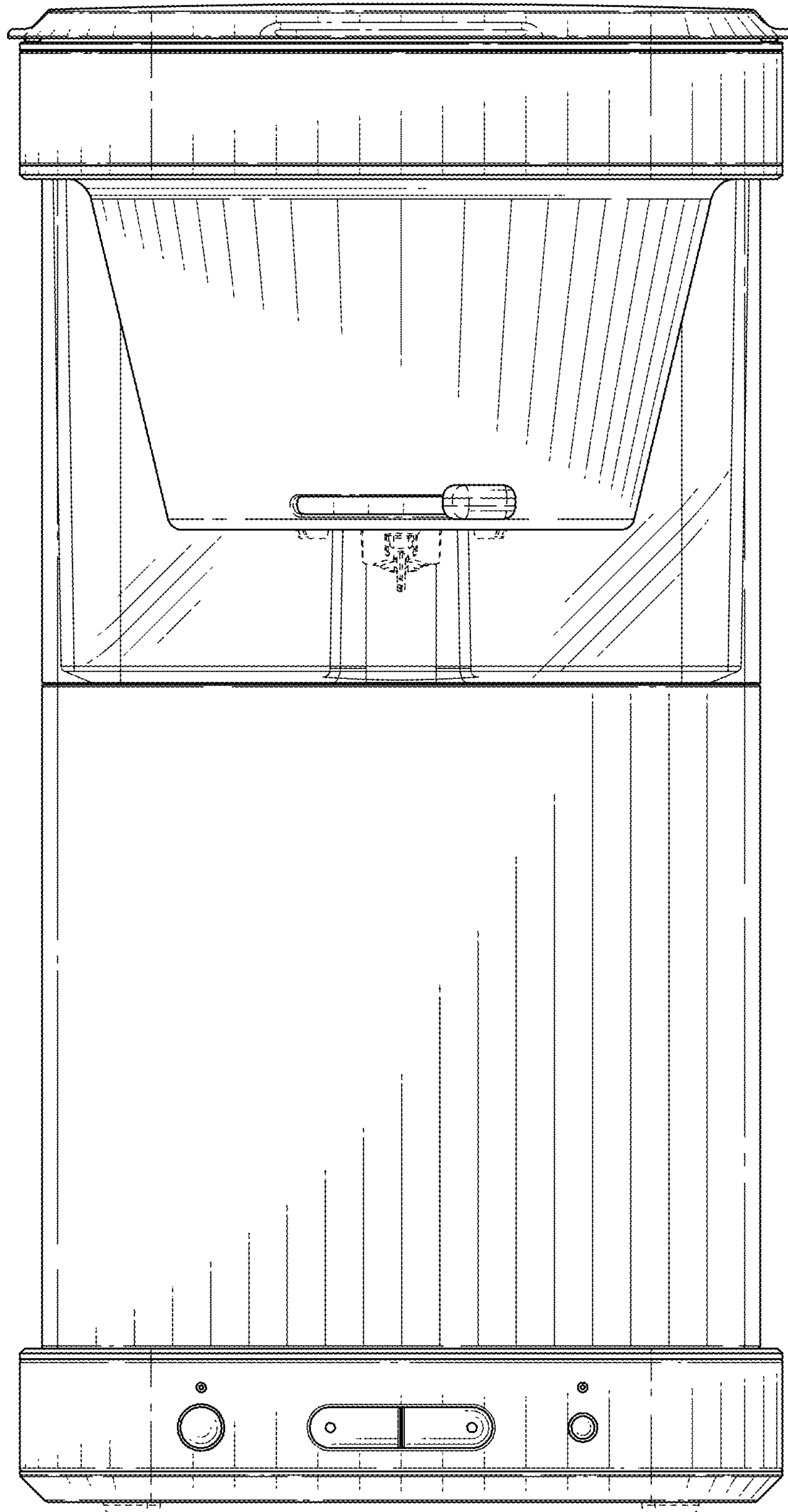


FIG. 2

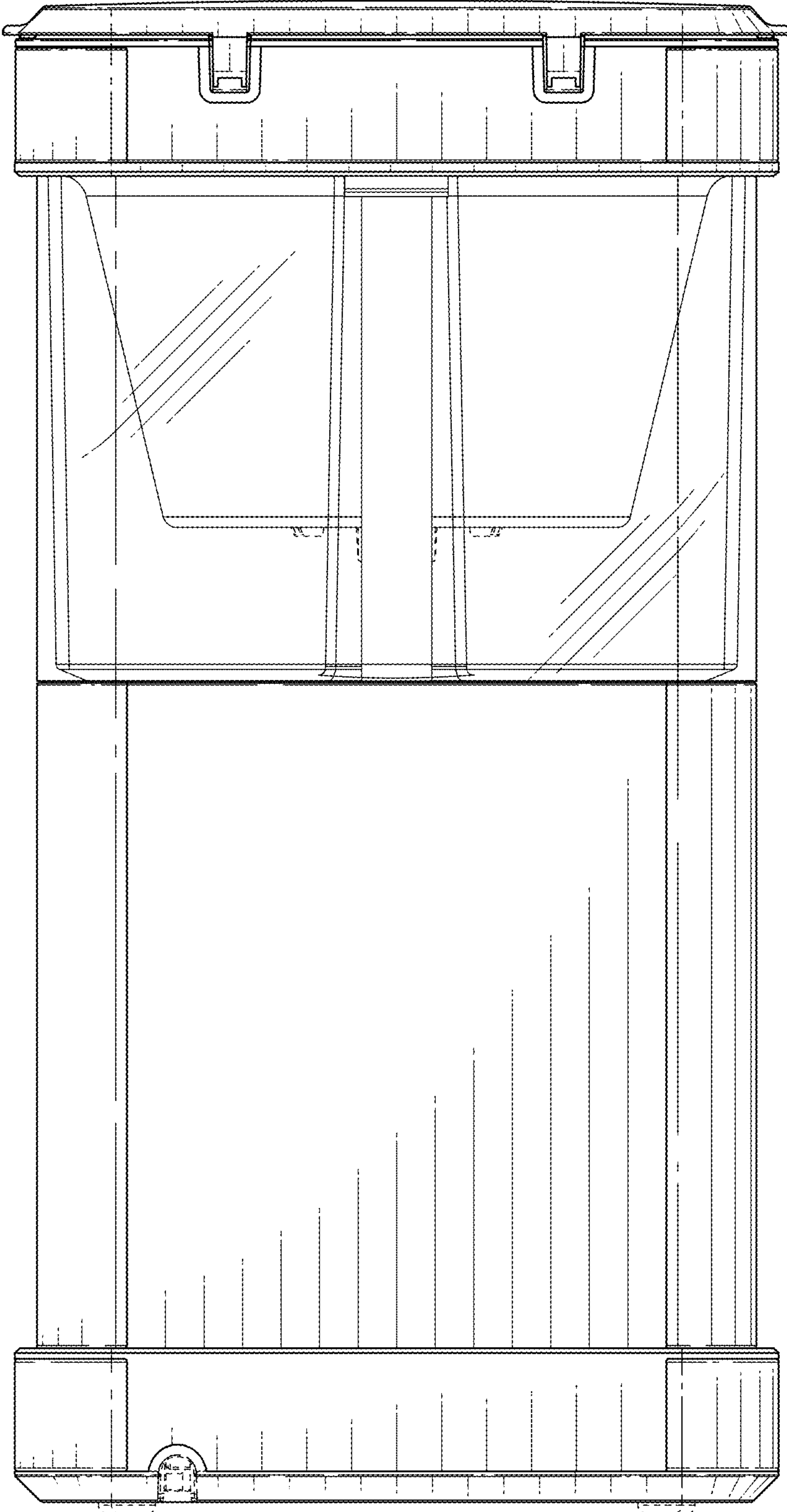


FIG. 3

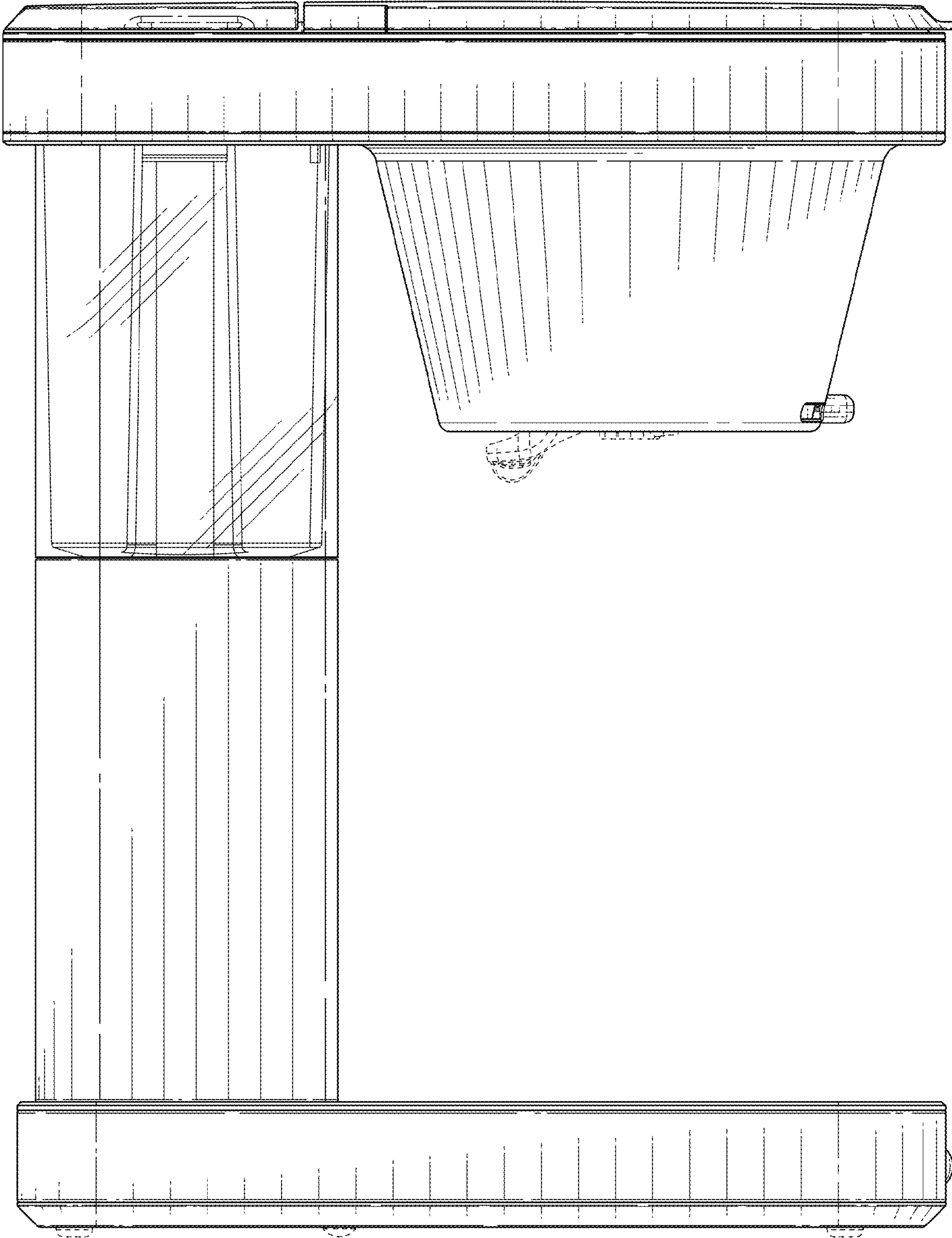


FIG. 4

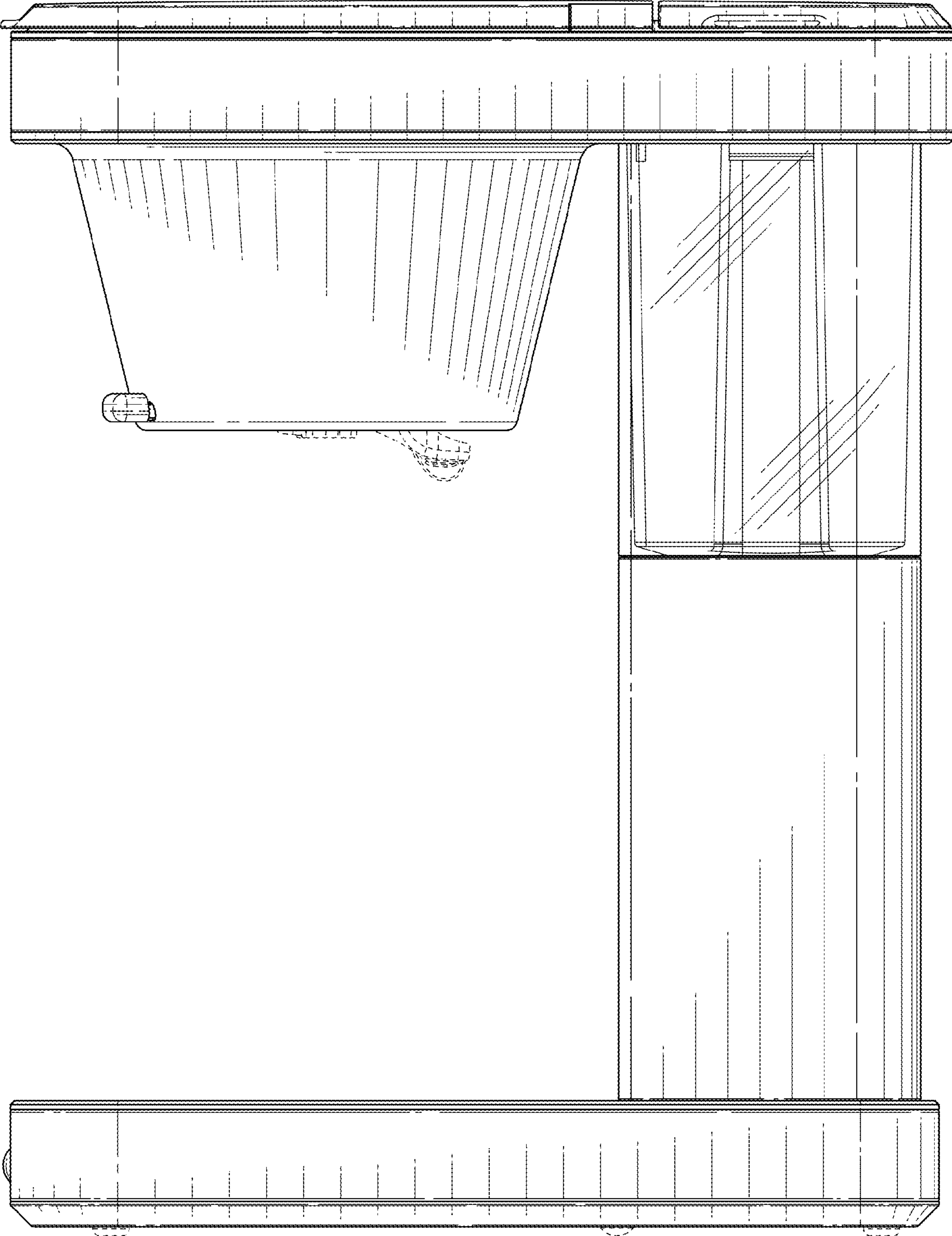


FIG. 5

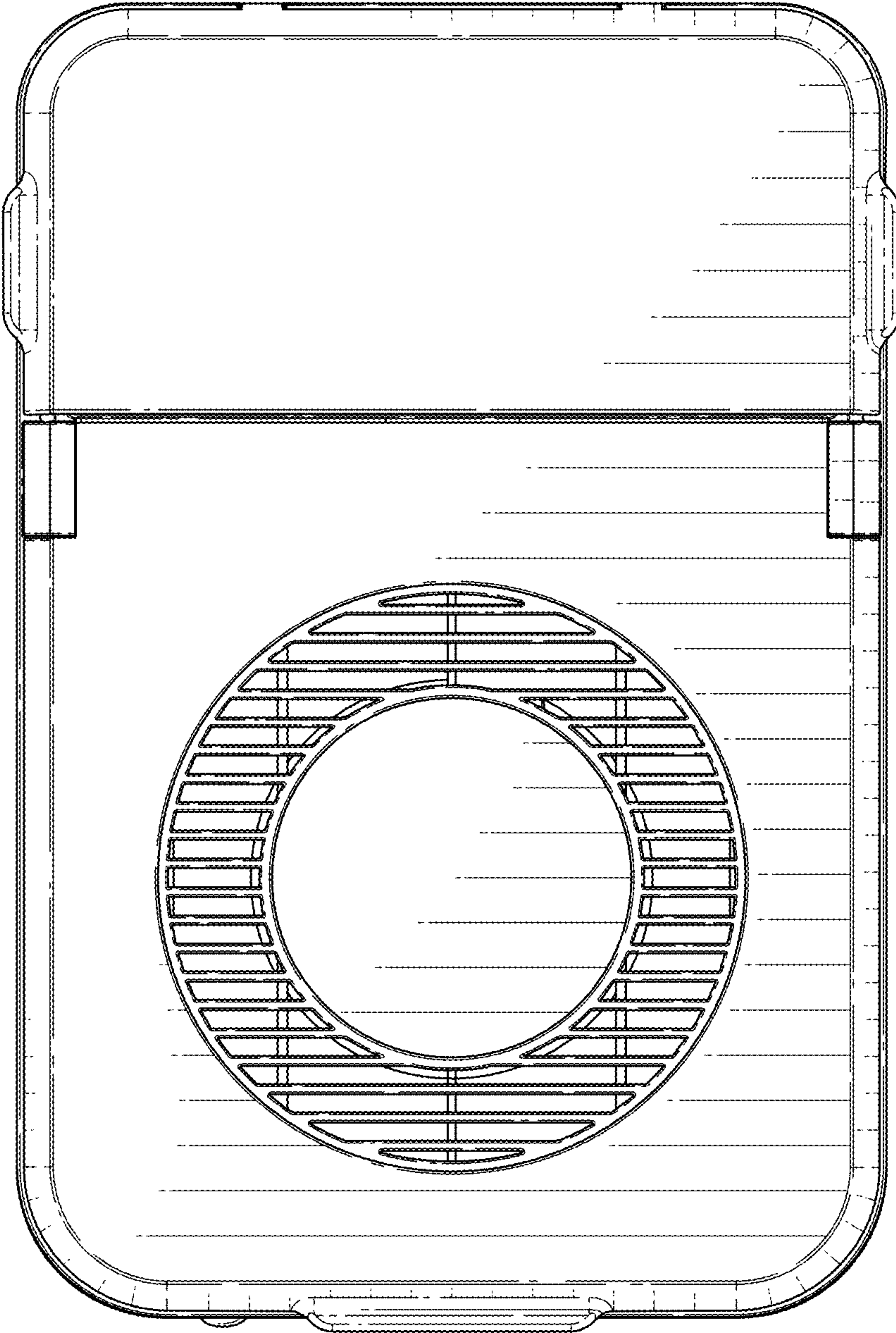


FIG. 6

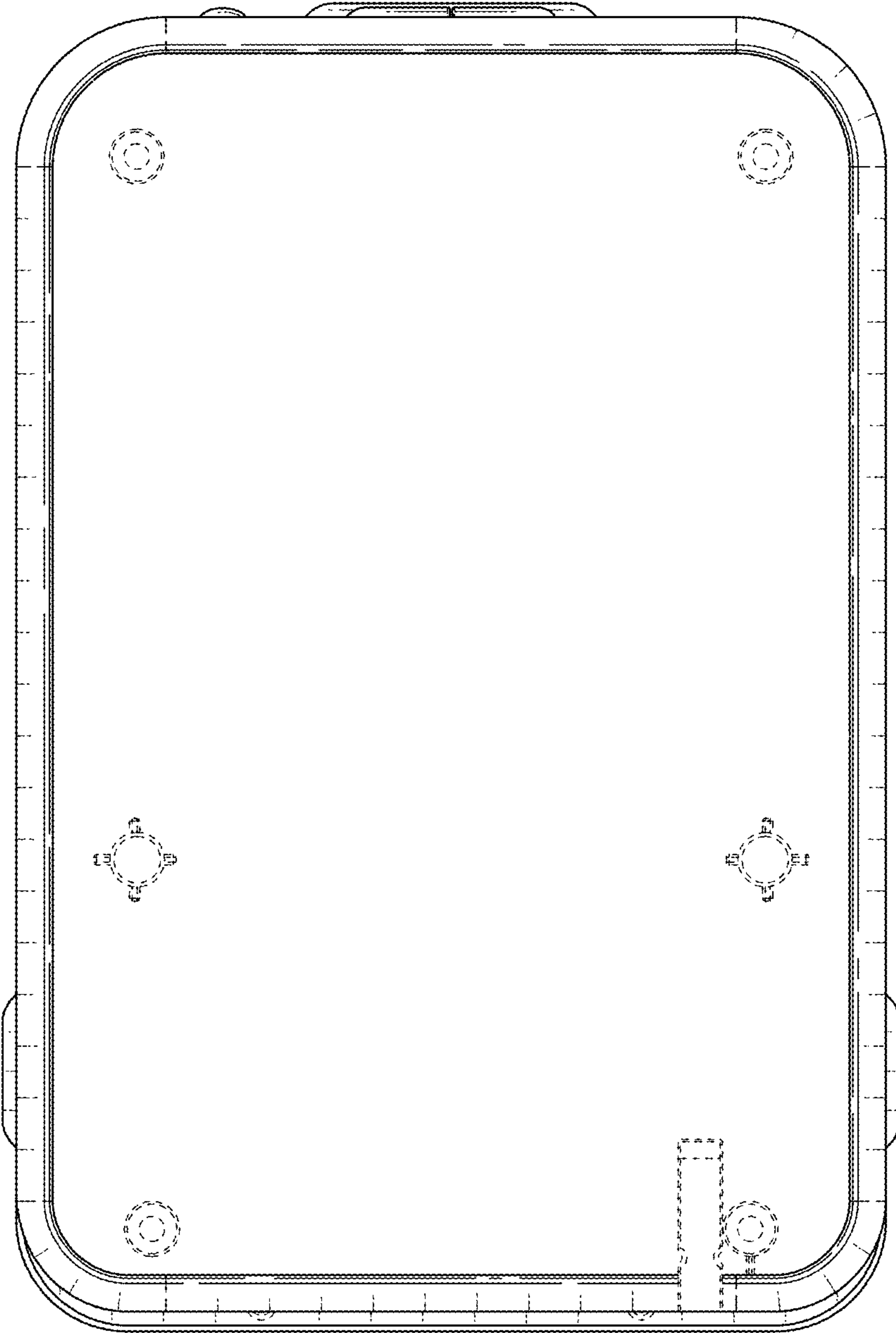


FIG. 7

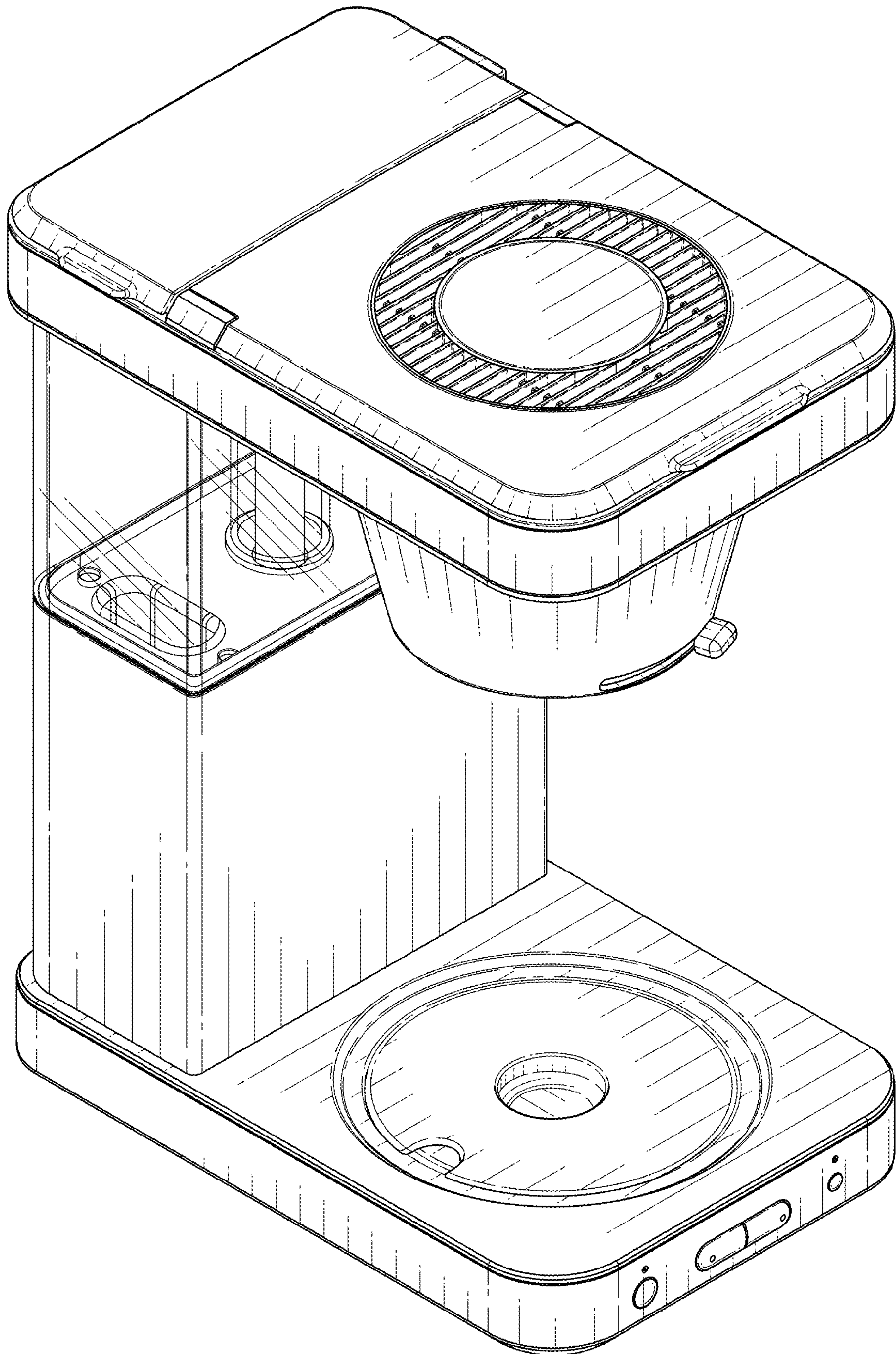


FIG. 8

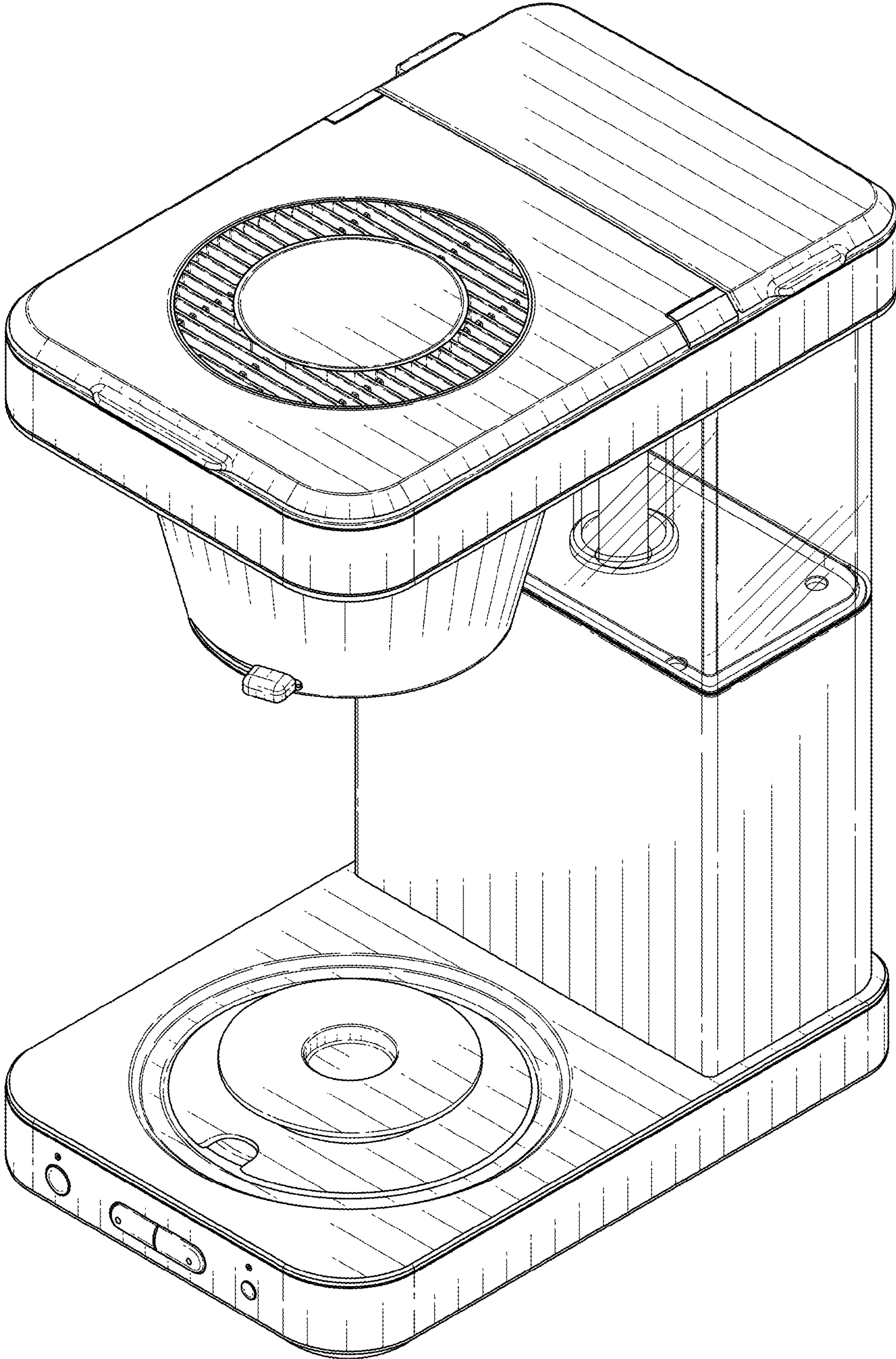


FIG. 9

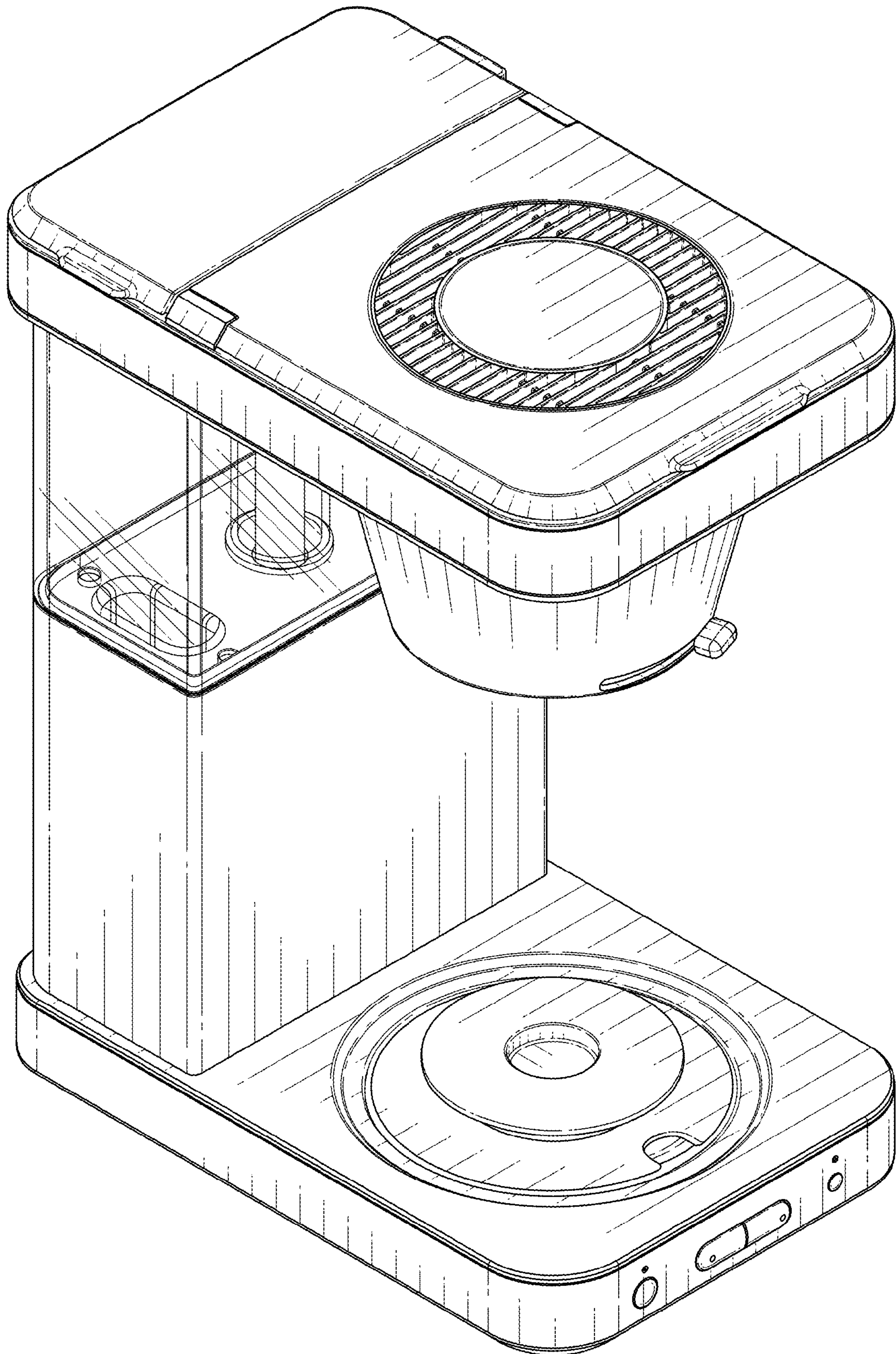


FIG. 10