



US00D927911S

(12) **United States Design Patent**
Cran et al.

(10) **Patent No.: US D927,911 S**
(45) **Date of Patent: ** Aug. 17, 2021**

(54) **STRAW**

D734,083 S * 7/2015 Hollander D7/300.2
D769,044 S * 10/2016 Hollander D7/300.2
D808,702 S * 1/2018 Hollander D7/300.2

(71) Applicant: **MAKE GREAT SALES LIMITED,**
Wanchai (HK)

(Continued)

(72) Inventors: **Bruce Peter Cran,** Ho Chi Minh (VN);
Kin Choi Lee, Wanchai (HK)

OTHER PUBLICATIONS

(73) Assignee: **MAKE GREAT SALES LIMITED,**
Hong Kong (HK)

Amazon website, Bent Metal Straws, Date first available on Amazon Apr. 4, 2017, [site visited Jun. 15, 2021], Available on the Internet URL <https://www.amazon.com/Stainless-Steel-Reusable-Metal-Straws/dp/B01M4IYRIX> (Year: 2017).*

(**) Term: **15 Years**

(Continued)

(21) Appl. No.: **29/711,124**

Primary Examiner — Karen S Acker

(22) Filed: **Oct. 29, 2019**

Assistant Examiner — Steven B Reinholdt, Jr.

(51) **LOC (13) Cl. 07-06**

(74) *Attorney, Agent, or Firm* — Onello & Mello, LLP

(52) **U.S. Cl.**

(57) **CLAIM**

USPC **D7/300.2**

The ornamental design for a straw, as shown and described.

(58) **Field of Classification Search**

DESCRIPTION

USPC D27/101; D7/300, 300.2, 301, 635;
D23/205, 209

FIG. 1 is a perspective view of a first embodiment of a straw, in accordance with our design;

CPC B65D 81/26; B65D 2517/0049;
A47G 21/18; A47G 21/187; A61J 7/0038

FIG. 2 is an exploded view of the straw of FIG. 1;

See application file for complete search history.

FIG. 3 is top view of the straw of FIG. 1;

(56) **References Cited**

FIG. 4 is a rear view of the straw of FIG. 1;

U.S. PATENT DOCUMENTS

FIG. 5 is a left side view of the straw of FIG. 1;

2,070,495 A * 2/1937 Strutz A47G 19/2222
215/391

FIG. 6 is a front view of the straw of FIG. 1;

D271,836 S * 12/1983 Border D7/300.2

FIG. 7 is a right side view of the straw of FIG. 1; and

5,628,713 A * 5/1997 Wilkinson A45B 3/00
482/51

FIG. 8 is a bottom view of the straw of FIG. 1.

6,283,294 B1 * 9/2001 Thorball A23L 2/52
206/438

FIG. 9 is a perspective view of a second embodiment of a straw in accordance with our design;

D487,375 S * 3/2004 Bengtsson D7/300.2

FIG. 10 is an exploded view of the straw of FIG. 9;

D564,278 S * 3/2008 Villalobos D7/300.2

FIG. 11 is top view of the straw of FIG. 9;

D575,570 S * 8/2008 Antonelli D7/300.2

FIG. 12 is a rear view of the straw of FIG. 9;

D599,110 S * 9/2009 Shepherd D3/254

FIG. 13 is a left side view of the straw of FIG. 9;

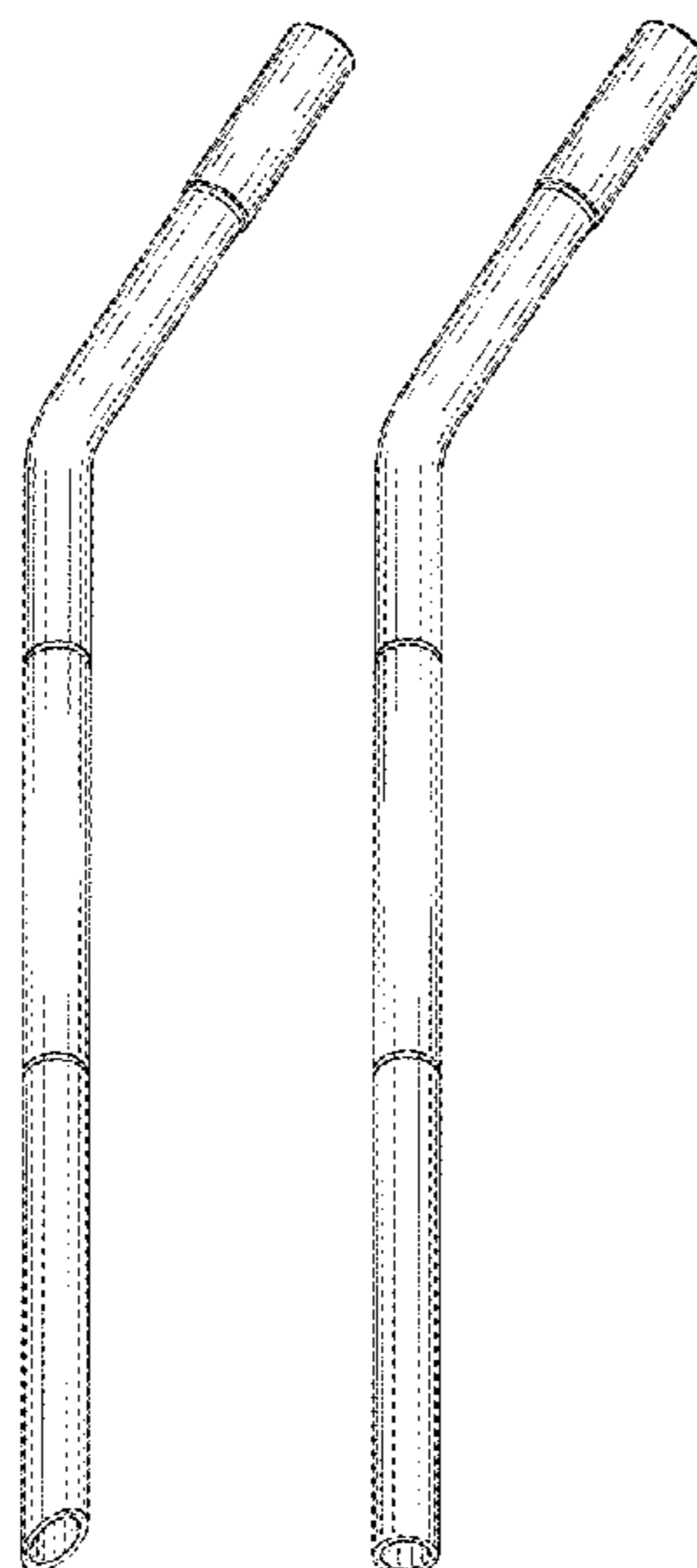
8,579,148 B2 * 11/2013 Slansky B65D 77/28
220/707

FIG. 14 is a front view of the straw of FIG. 9;

FIG. 15 is a right side view of the straw of FIG. 9; and,

FIG. 16 is a bottom view of the straw of FIG. 9.

1 Claim, 4 Drawing Sheets



(56)

References Cited

U.S. PATENT DOCUMENTS

D831,397 S * 10/2018 Diorio D7/300.2
D887,762 S * 6/2020 Chen D7/300.2
D896,016 S * 9/2020 Leinbach D7/300.2
D901,960 S * 11/2020 Serrahima D7/300.2
2005/0103879 A1* 5/2005 Robinson A61J 7/0038
239/33
2005/0274815 A1* 12/2005 Bergholtz A47G 21/18
239/16
2012/0138622 A1* 6/2012 Slansky A47G 21/18
220/780
2017/0079453 A1* 3/2017 Diorio A47G 21/18
2020/0029713 A1* 1/2020 Wang A47G 21/181
2020/0077823 A1* 3/2020 Burns A47G 21/18

OTHER PUBLICATIONS

Amazon website, 2 x collapsible metal straws with case, Date first available on Amazon Sep. 4, 2019, [site visited Jun. 15, 2021], Available on the Internet URL <https://www.amazon.com/Collapsible-Reusable-Smoothie-Stainless-Drinking/dp/B07XBWF1F7?th=1> (Year: 2019).*

* cited by examiner

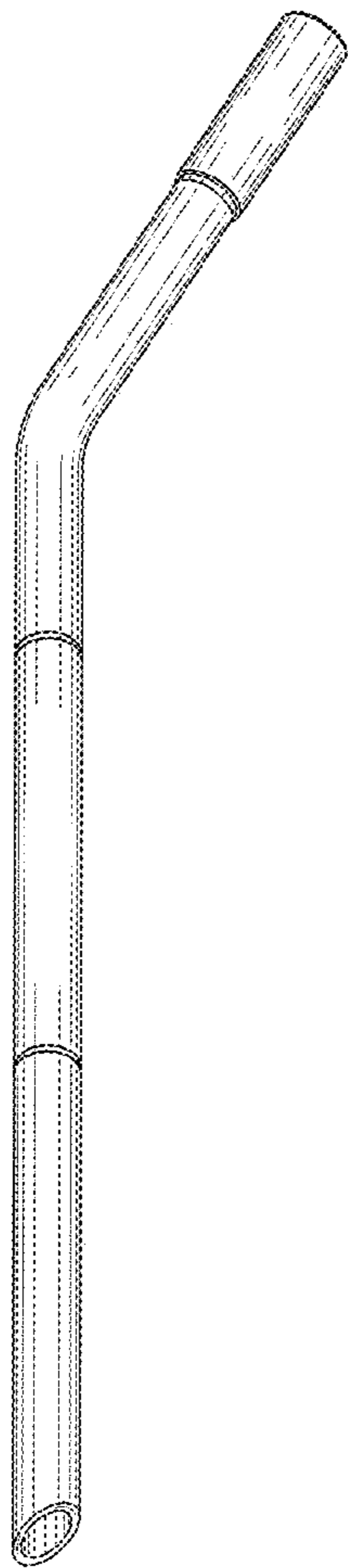
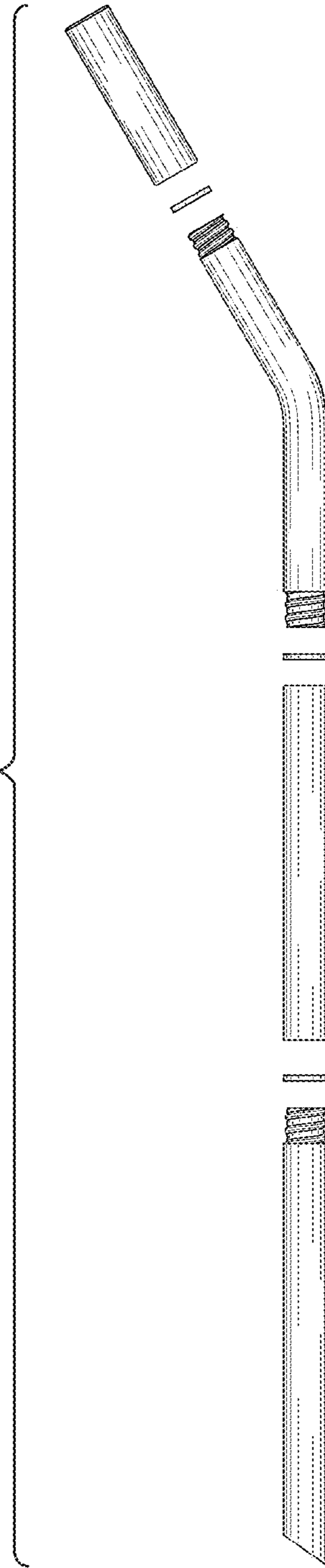


FIG. 1

FIG. 2



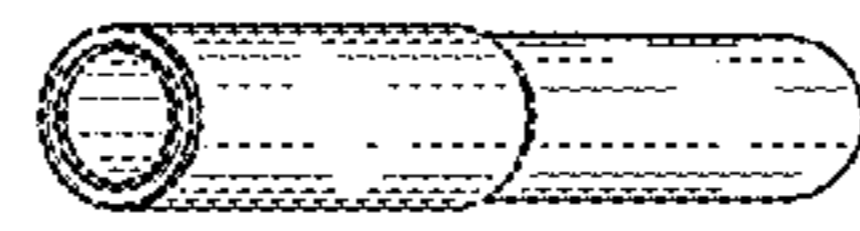


FIG. 3

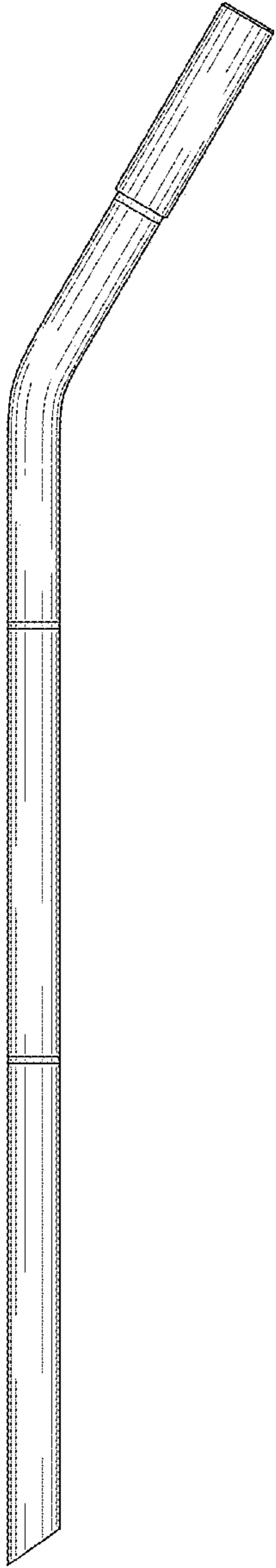


FIG. 4



FIG. 5

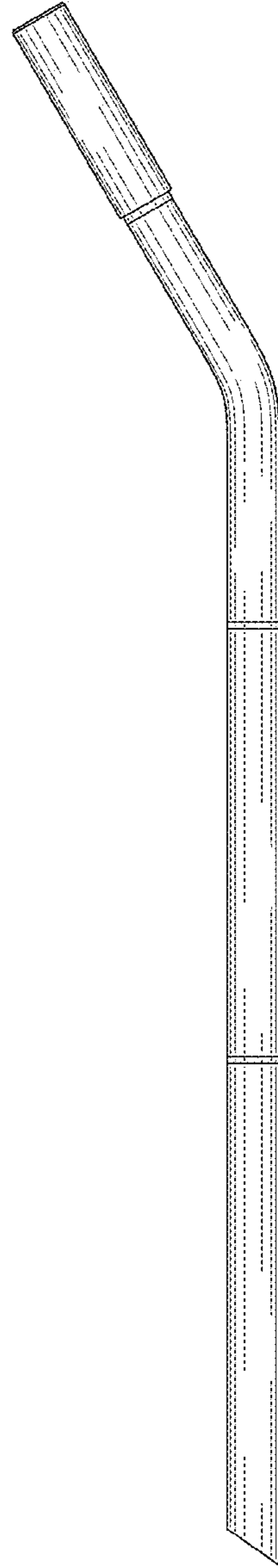


FIG. 6

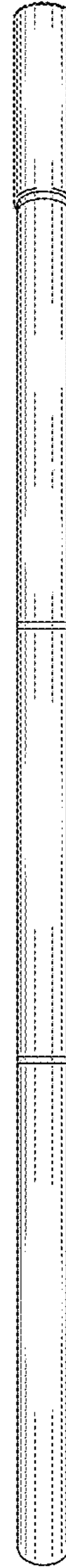


FIG. 7



FIG. 8

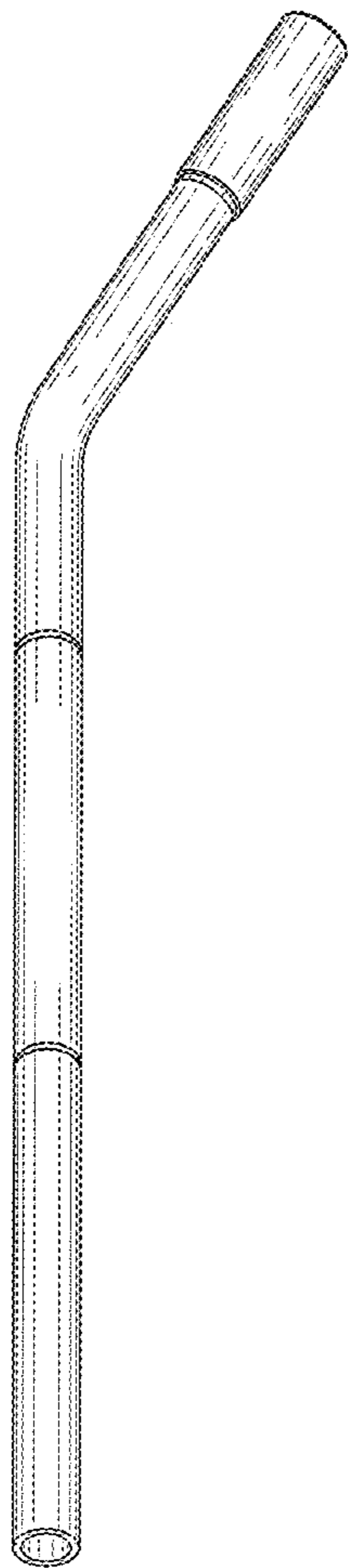
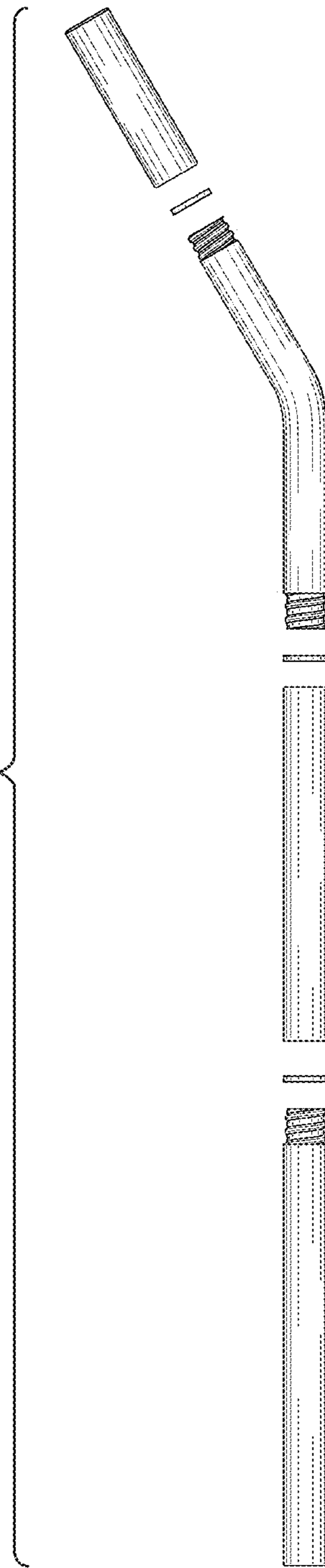


FIG. 9

FIG. 10



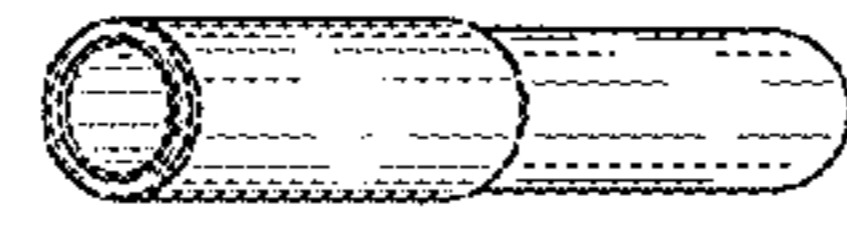


FIG. 11

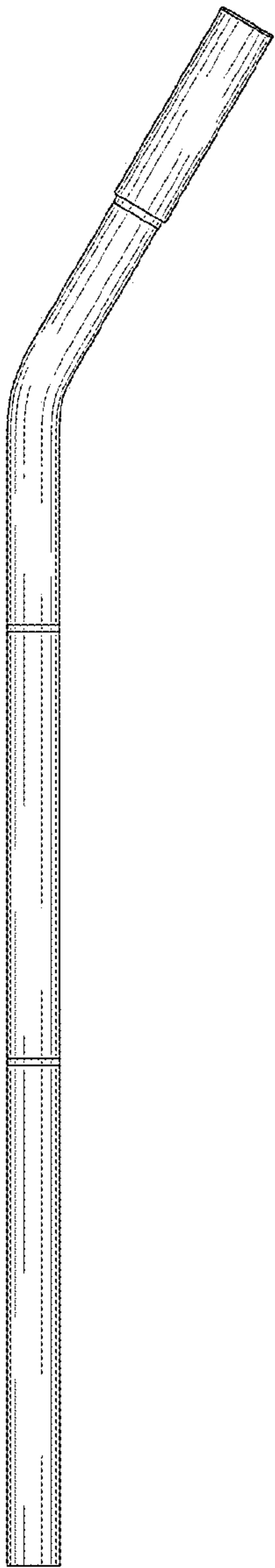


FIG. 12



FIG. 13

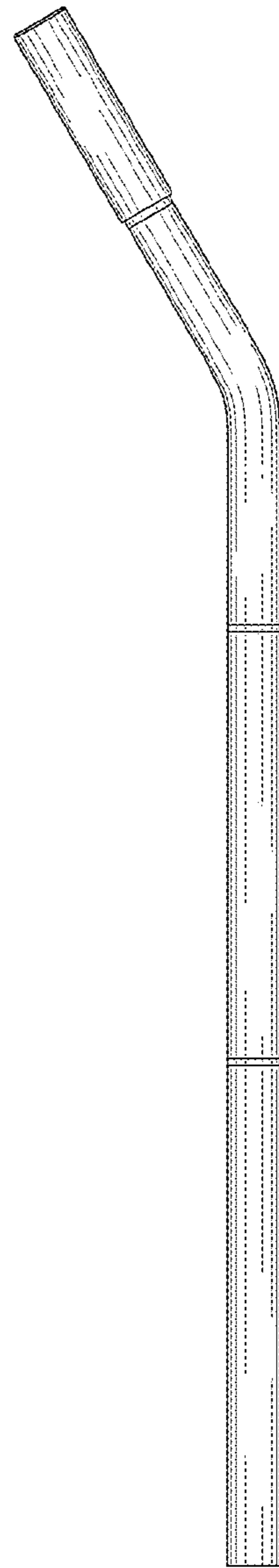


FIG. 14



FIG. 15



FIG. 16