



US00D927905S

(12) **United States Design Patent** (10) **Patent No.:** **US D927,905 S**
Huang et al. (45) **Date of Patent:** **** Aug. 17, 2021**

(54) **TABLE**

(71) Applicant: **Gabriella White, LLC**, Pelham, AL (US)

(72) Inventors: **Kai-ning Huang**, Pelham, AL (US);
Christopher Joseph Hutchens, Pelham, AL (US)

(73) Assignee: **Gabriella White, LLC**, Pelham, AL (US)

(**) Term: **15 Years**

(21) Appl. No.: **29/708,808**

(22) Filed: **Oct. 9, 2019**

(51) **LOC (13) Cl.** **06-03**

(52) **U.S. Cl.**
USPC **D6/692**

(58) **Field of Classification Search**

USPC D6/349, 685, 686, 690, 692, 692.1–692.6
CPC A47B 7/00; A47B 13/00; A47B 13/02;
A47B 13/023; A47B 13/04; A47B 13/06;
A47B 13/08; A47B 13/10; A47B 13/12;
A47B 2013/024; A47B 17/00; A47B
21/00; A47B 2200/0001; A47B
2200/0002; A47B 2200/0003; A47B
2200/0004; A47B 2200/0011; A47B
2200/002

See application file for complete search history.

(56) **References Cited**

U.S. PATENT DOCUMENTS

3,536,359 A * 10/1970 Amos A47C 13/00
297/462
D545,071 S * 6/2007 Potter D6/336
D590,632 S * 4/2009 Zak D6/668
D870,499 S * 12/2019 Aubry A47C 13/00
D6/692.3
D917,905 S * 5/2021 Li D6/352

OTHER PUBLICATIONS

Nausica Round Coffee Table—Lulu and Georgia <https://www.luluandgeorgia.com/nausica-round-coffee-table> retrieved from the internet on Nov. 1, 2020.*

Proctor Low Round Wood Table—CB2 https://www.cb2.com/proctor-low-round-wood-coffee-table/s324296?localedetail=US?&scid=scbplp324296&sc_intid=324296&msclkid=90654818e30019fb258a28d9fc906cce&utm_source=bing&utm_medium=cpc&utm_campaign=SC%20Shopping%20-%20CB2%20-%20Bing%20-%20Brand&utm_term=4582695758451766&utm_content=SC%20-%20All%20Products retrieved from the internet on Nov. 1, 2020.*

Raymond Cross Legs Coffee Table by Kosas Home—Perigold <https://www.perigold.com/furniture/pdp/kosas-home-raymond-cross-legs-coffee-table-kosa2545.html> retrieved from the internet on Jun. 9, 2021.*

VidaXL Coffee Table Solid Reclaimed Wood Round End Side Living Room Stand—Houzz <https://www.houzz.com/products/vidaxl-coffee-table-solid-reclaimed-wood-round-end-side-living-room-stand-prvw-vr~93990561> retrieved from the internet on Jun. 9, 2021.*

Clifton Coffee Table—Gabby Home <https://gabbyhome.com/products/clifton-coffee-table/> retrieved from internet on Jun. 9, 2021.*

* cited by examiner

* cited by examiner

Primary Examiner — Mary Ann Calabrese

(74) *Attorney, Agent, or Firm* — C. Brandon Browning; Maynard, Cooper & Gale, PC

(57) **CLAIM**

The ornamental design for a table, as shown and described.

DESCRIPTION

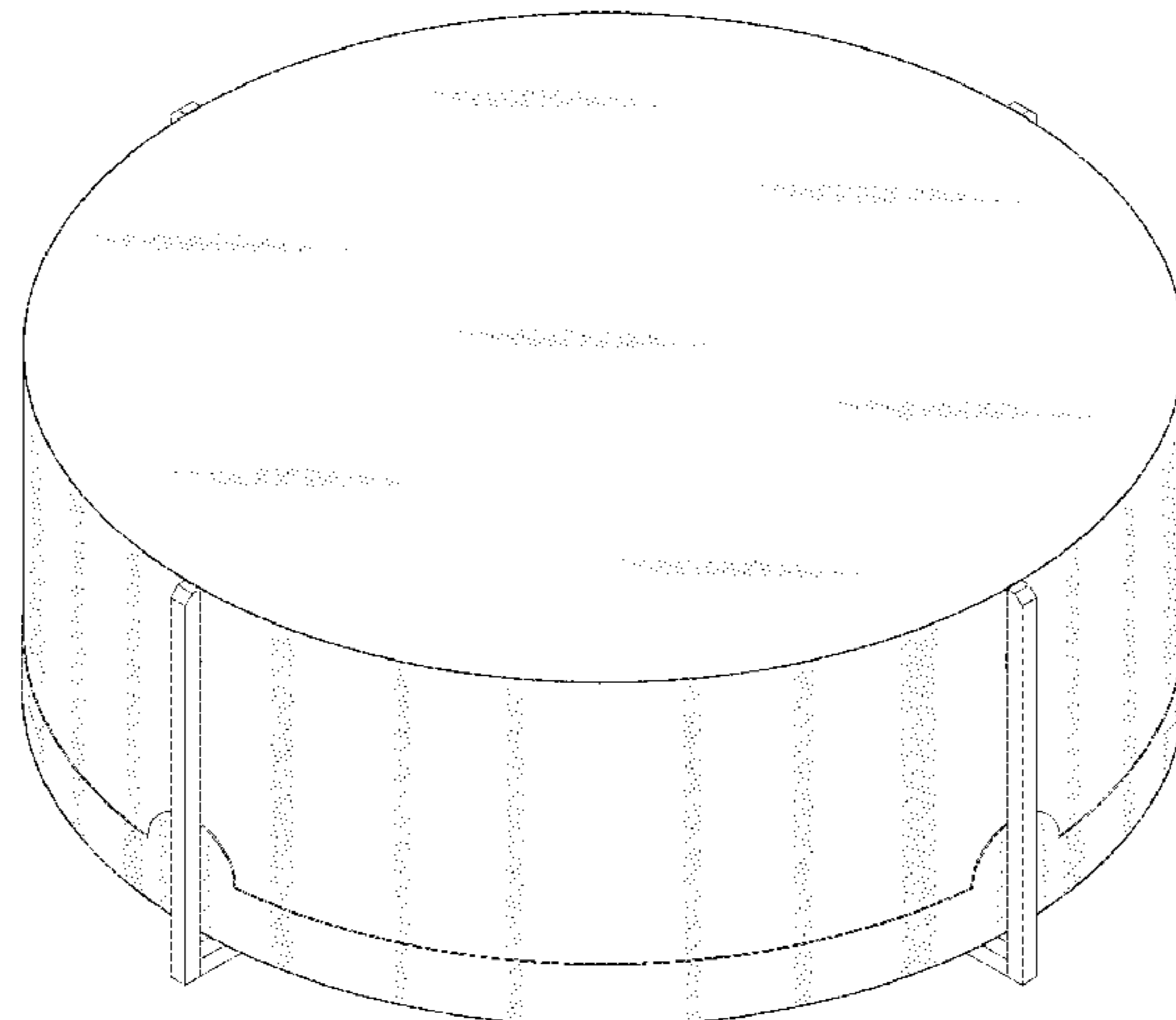
FIG. 1 shows a perspective view of a table showing my new design.

FIG. 2 shows a top view of the table.

FIG. 3 shows a front view of the table; and,

FIG. 4 shows a rear view of the table.

1 Claim, 4 Drawing Sheets



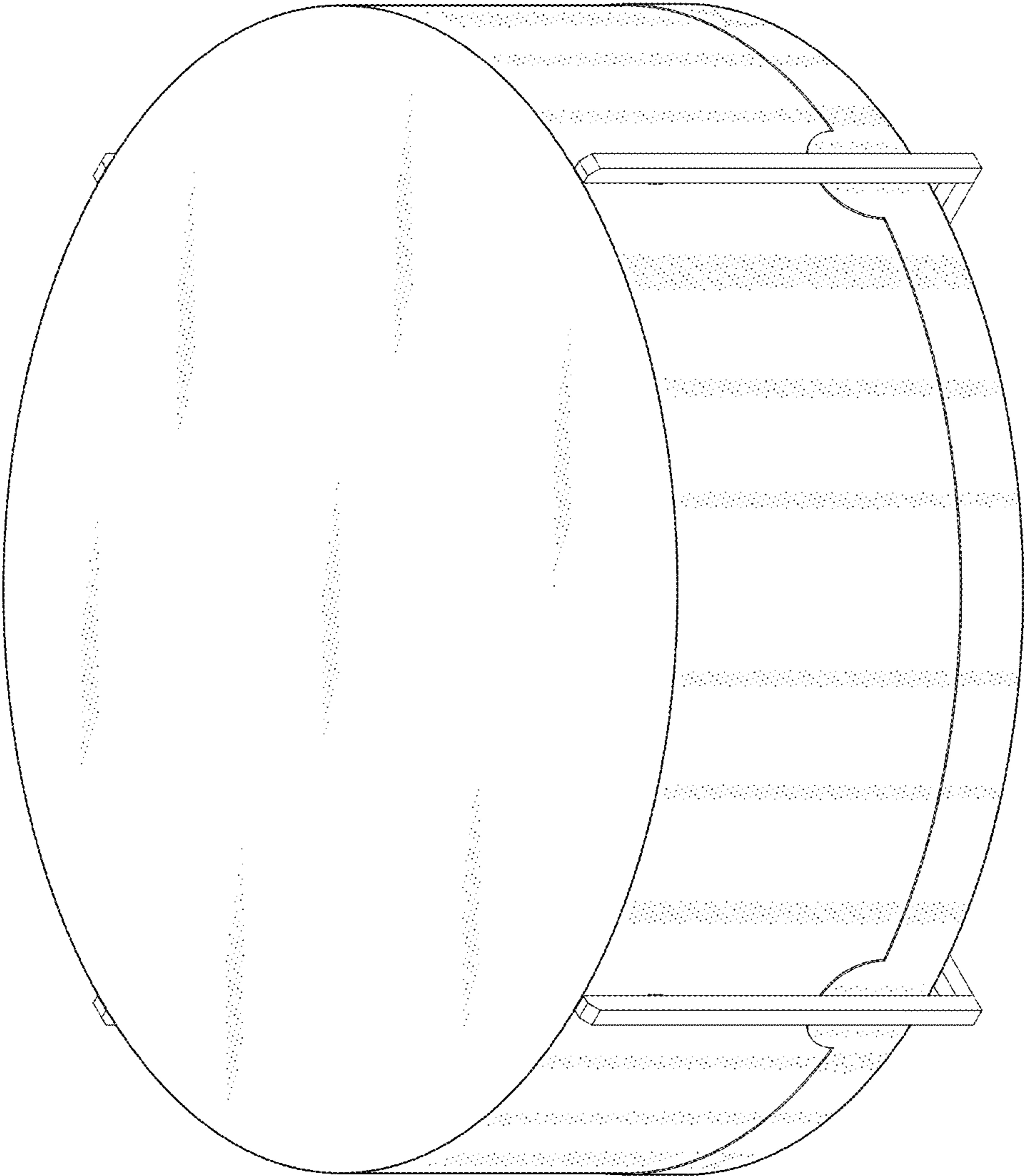


FIG. 1

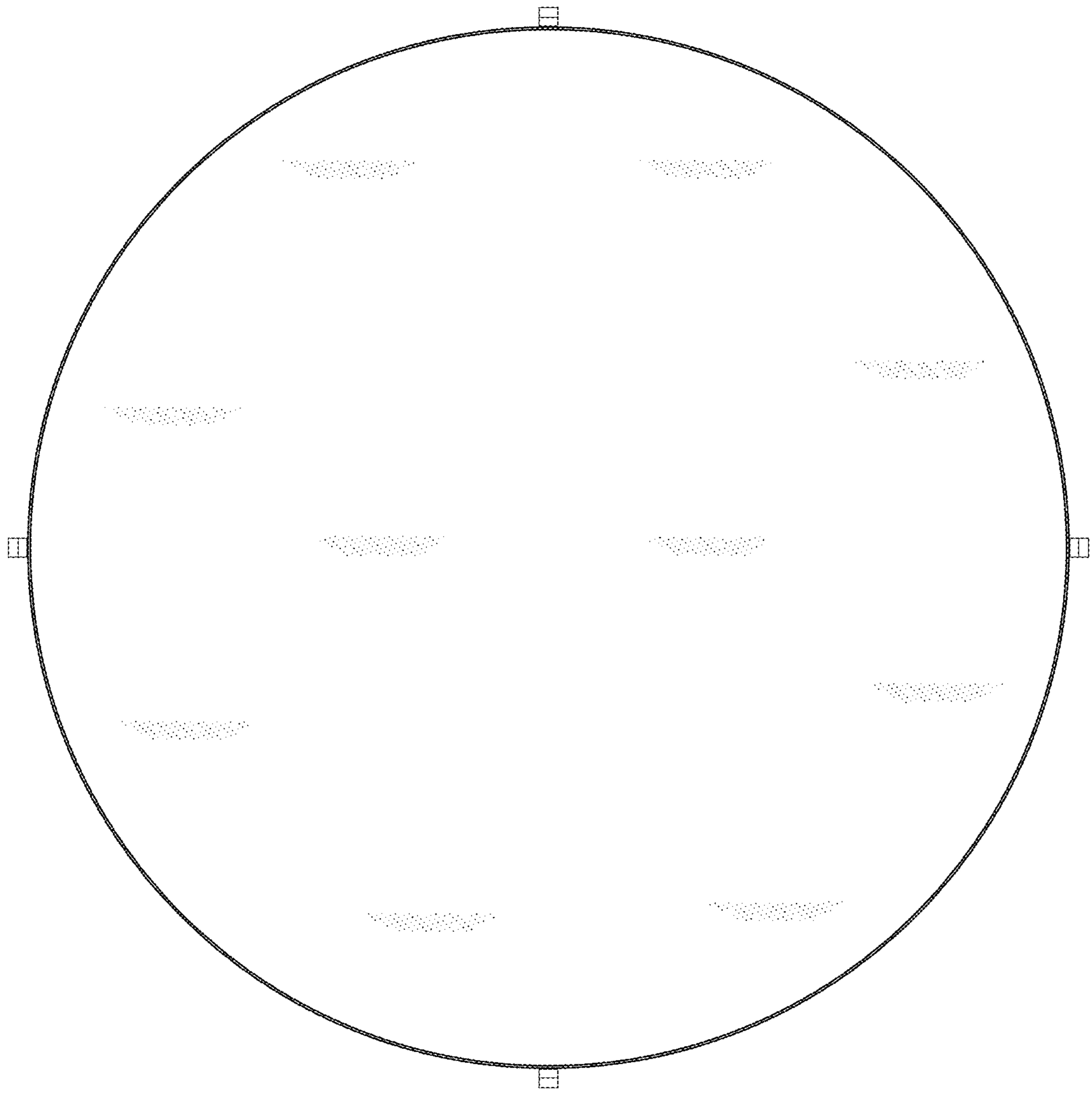


FIG. 2

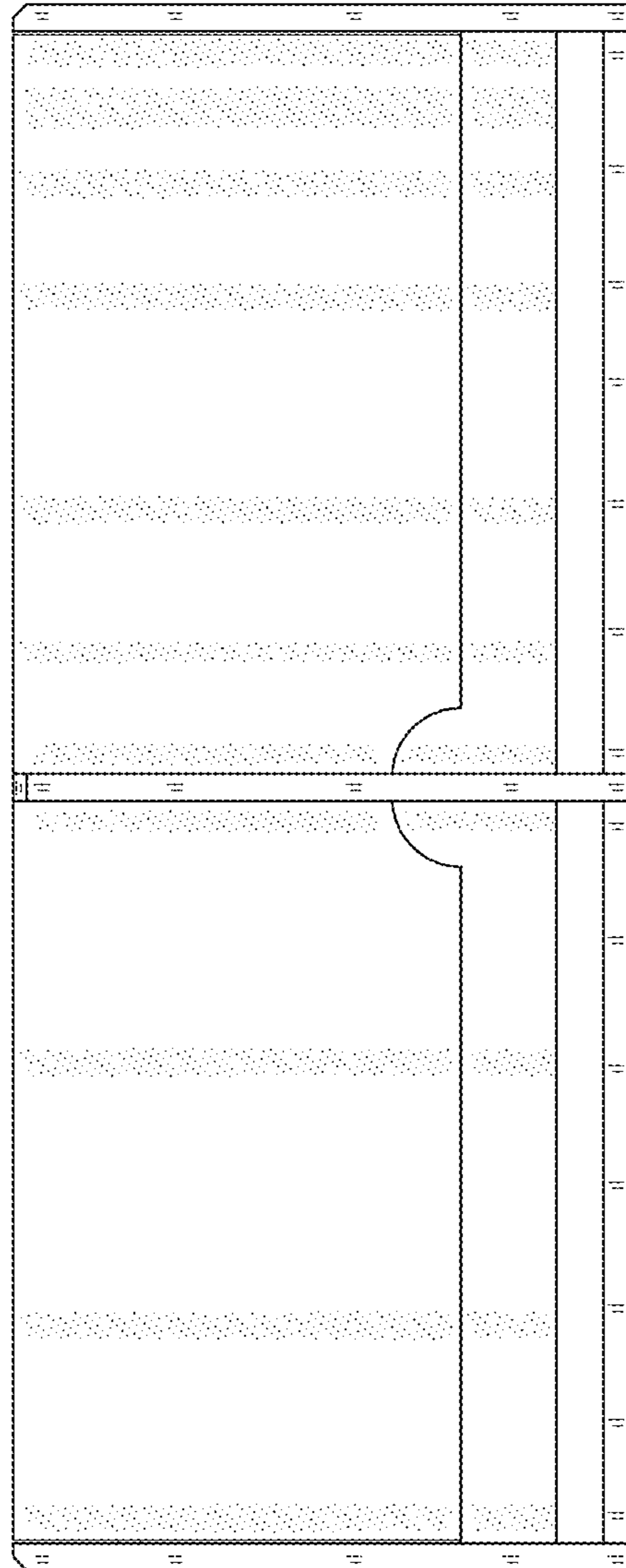


FIG. 3

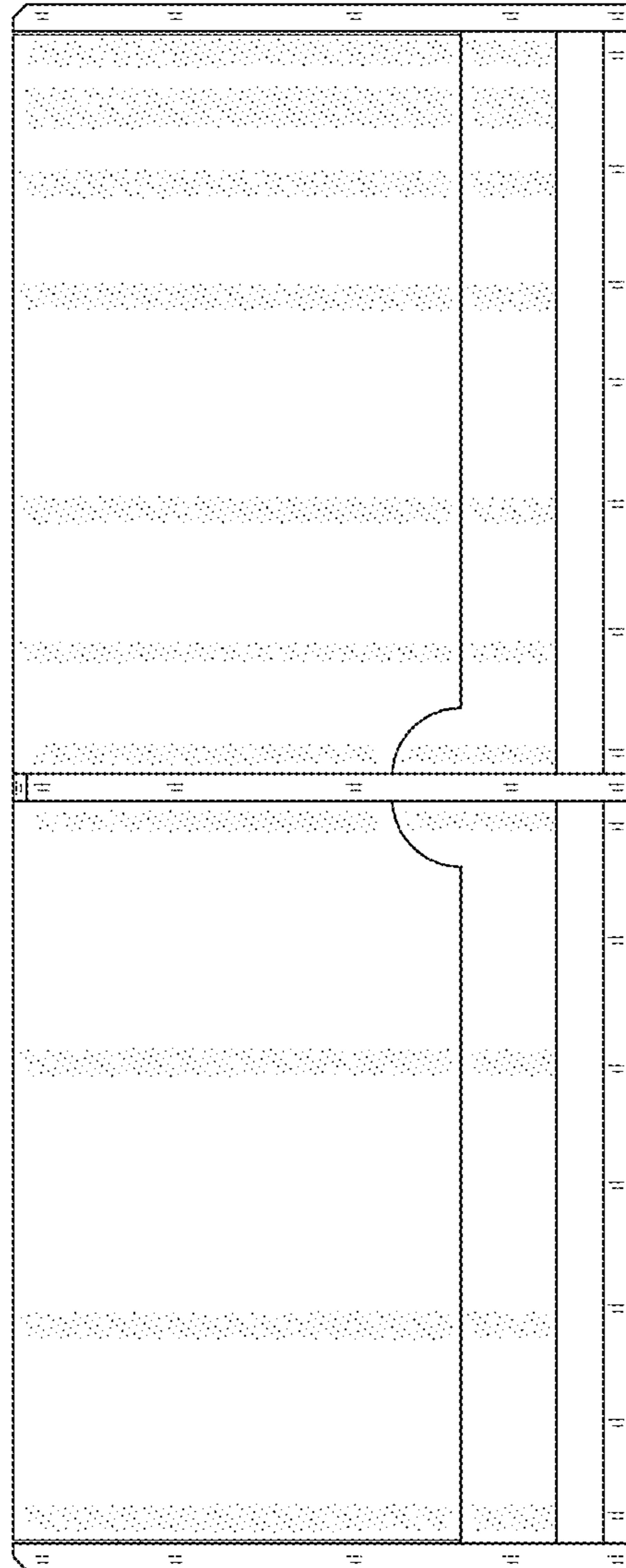


FIG. 4