



US00D927904S

(12) **United States Design Patent** (10) **Patent No.:** **US D927,904 S**
Pedersen et al. (45) **Date of Patent:** **** Aug. 17, 2021**

- (54) **DISPLAY TABLE**
- (71) Applicant: **Target Brands, Inc.**, Minneapolis, MN (US)
- (72) Inventors: **Sara L. Pedersen**, Minneapolis, MN (US); **Christopher S. Case**, Shakopee, MN (US); **Grace C. Manuel**, Minneapolis, MN (US)
- (73) Assignee: **Target Brands, Inc.**, Minneapolis, MN (US)

D572,499 S *	7/2008	Davis	D6/652
D650,612 S *	12/2011	Frinier	D6/691.3
D732,852 S *	6/2015	Park	D6/656
D736,020 S	8/2015	Martell et al.	
D741,094 S	10/2015	Martell et al.	
D766,625 S *	9/2016	Johnson	D6/675.3
D768,417 S *	10/2016	Johnson	D6/687
D777,481 S *	1/2017	Denby	D6/675.3
D781,085 S *	3/2017	Liu	D6/691
D801,092 S *	10/2017	Merritt	D6/691
D828,061 S *	9/2018	Davis	D6/691.3
D848,768 S *	5/2019	Johnson	D6/662.1

(**) Term: **15 Years**

(21) Appl. No.: **29/694,615**

(22) Filed: **Jun. 12, 2019**

(51) **LOC (13) Cl.** **06-03**

(52) **U.S. Cl.**
USPC **D6/691.3**

(58) **Field of Classification Search**
USPC D6/349, 656, 656.13, 656.14, 656.18, D6/685, 686, 691, 691.1-691.9
CPC A47B 7/00; A47B 13/00; A47B 13/02; A47B 13/04; A47B 13/06; A47B 13/08; A47B 13/10; A47B 13/12; A47B 21/00; A47B 2200/0001; A47B 2200/0011; A47B 2200/002

See application file for complete search history.

(56) **References Cited**

U.S. PATENT DOCUMENTS

D133,624 S *	9/1942	Hollander	D6/691.3
D196,440 S *	10/1963	Turner	D6/691.2

* cited by examiner

Primary Examiner — Mary Ann Calabrese

(74) *Attorney, Agent, or Firm* — Leanne Taveggia Farrell; Westman, Champlin & Koehler, P.A.

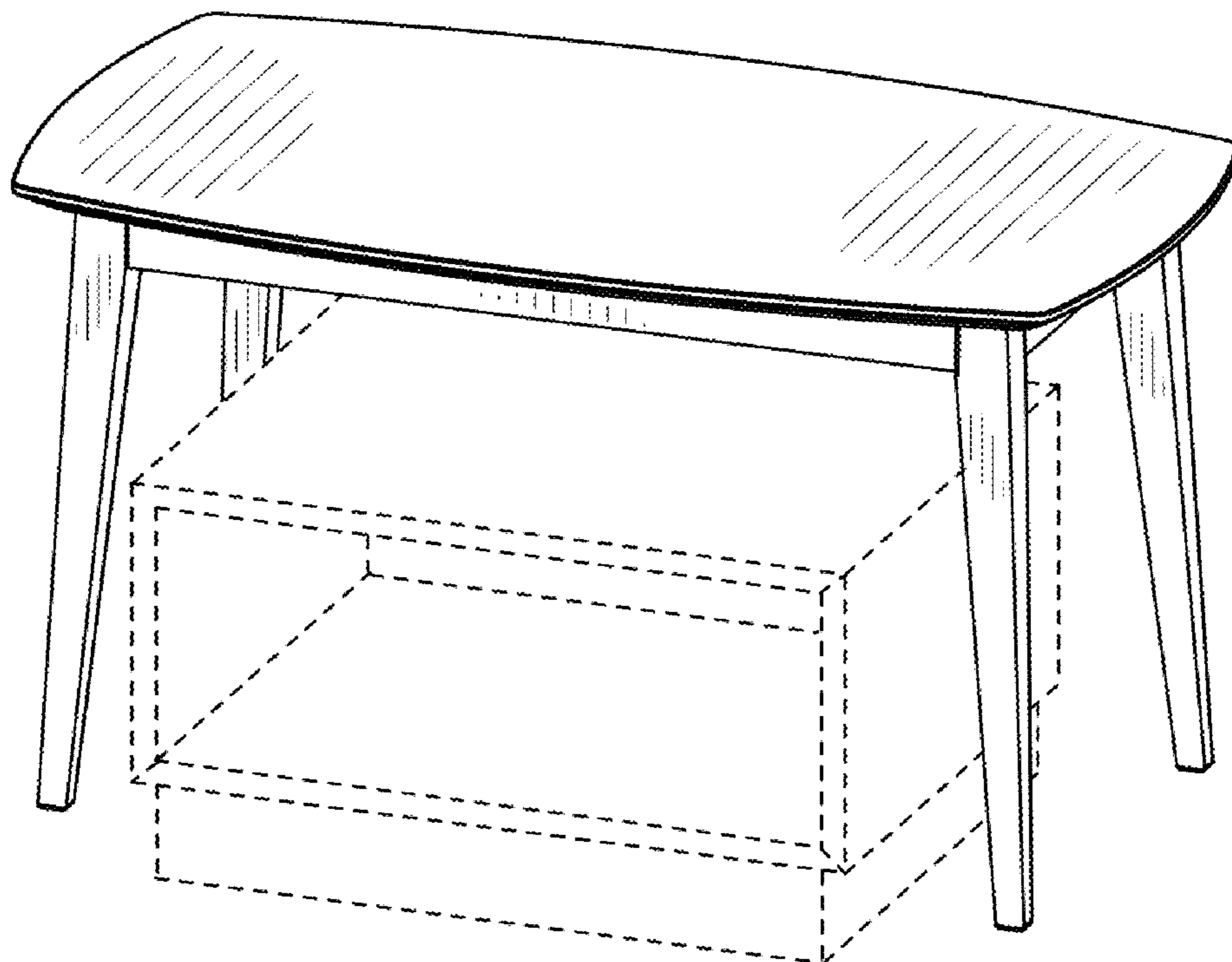
(57) **CLAIM**

The ornamental design for a display table, as shown and described.

DESCRIPTION

FIG. 1 is a perspective view of a display table showing our new design;
FIG. 2 is a top view thereof;
FIG. 3 is a front view thereof, the back view being identical; and,
FIG. 4 is a right side view thereof, the left side view being a mirror image.
The broken lines shown in the drawings are included for purposes of illustrating the environment of the display table and form no part of the claimed design.

1 Claim, 3 Drawing Sheets



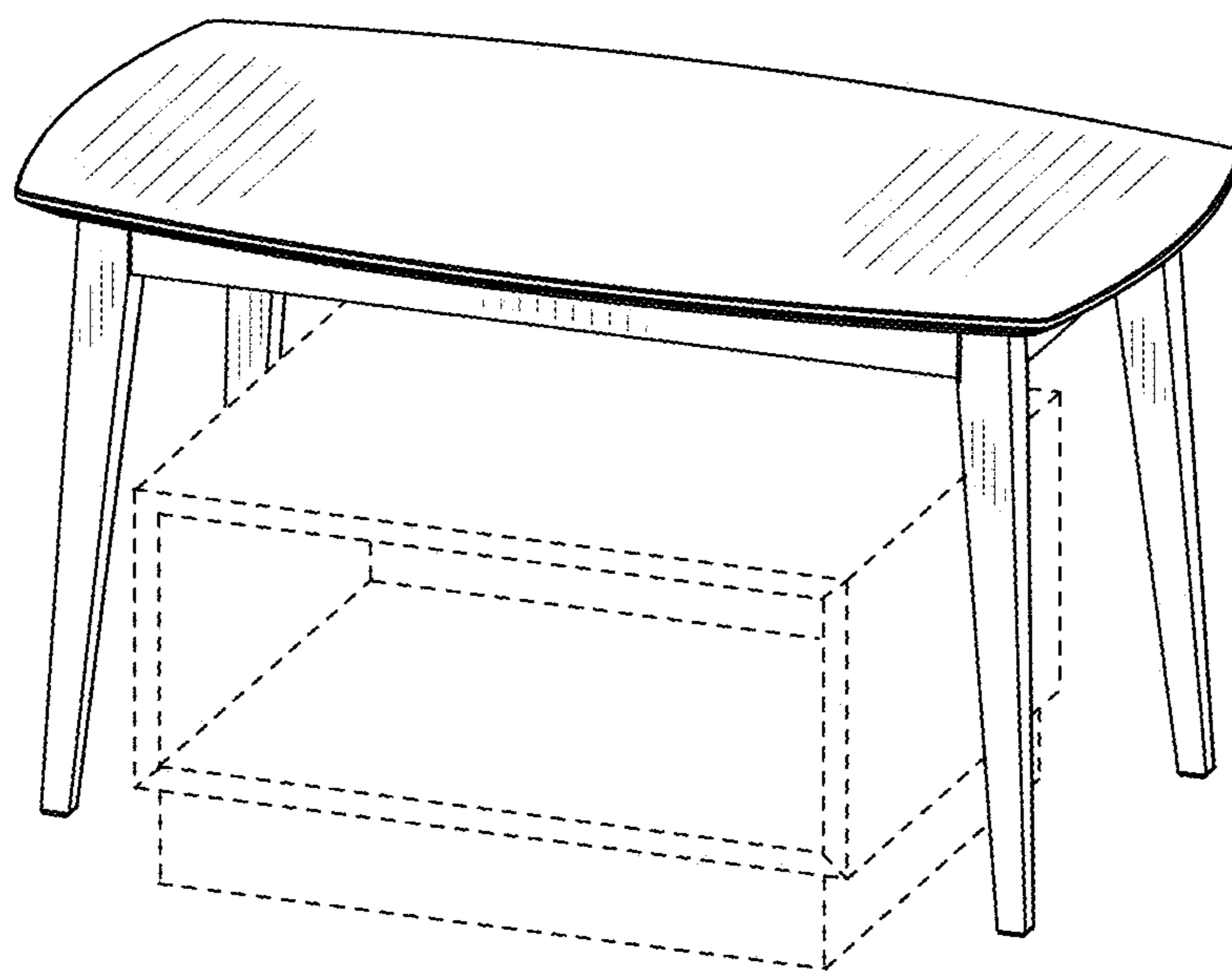


Fig. 1

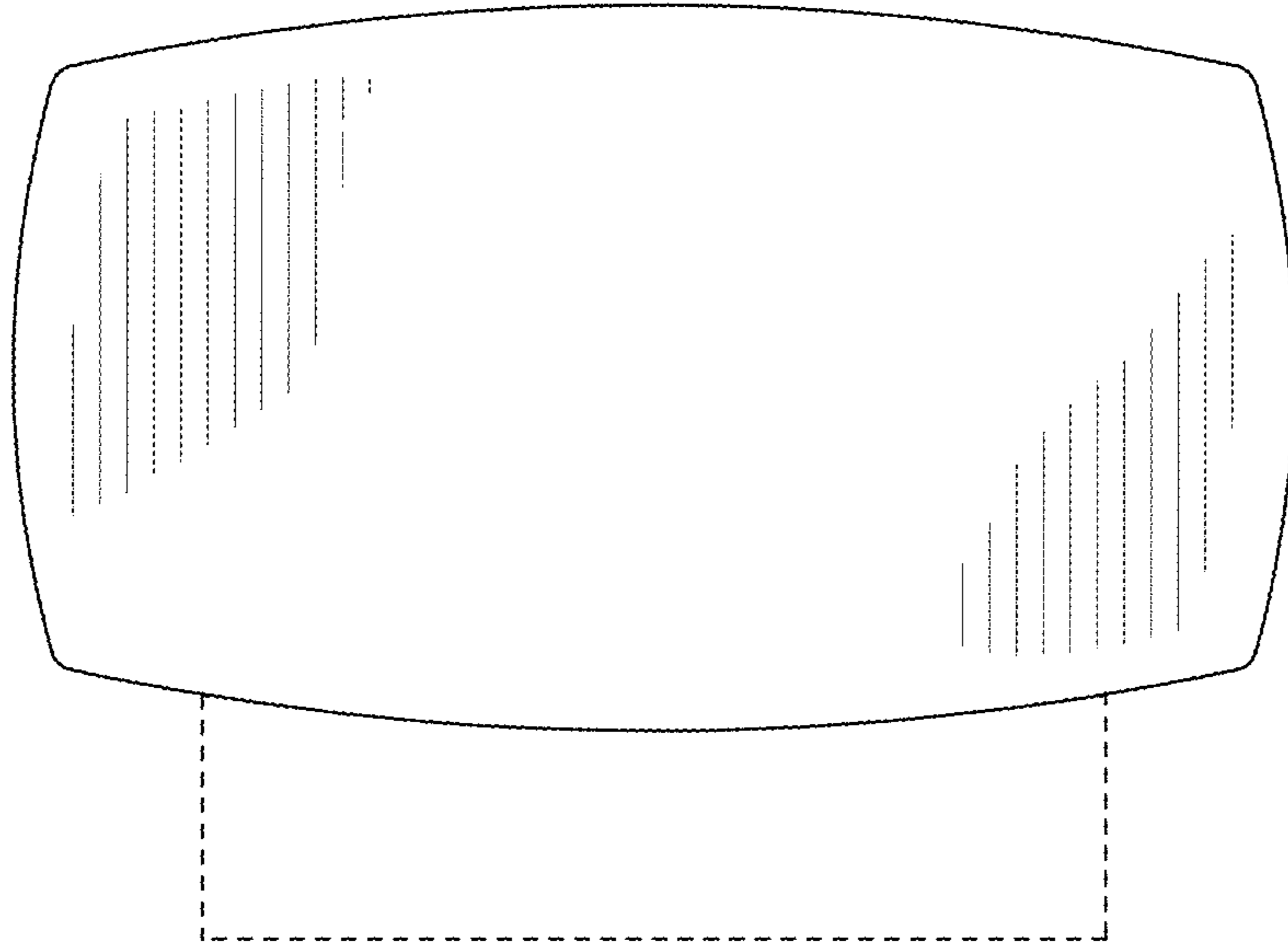


Fig. 2

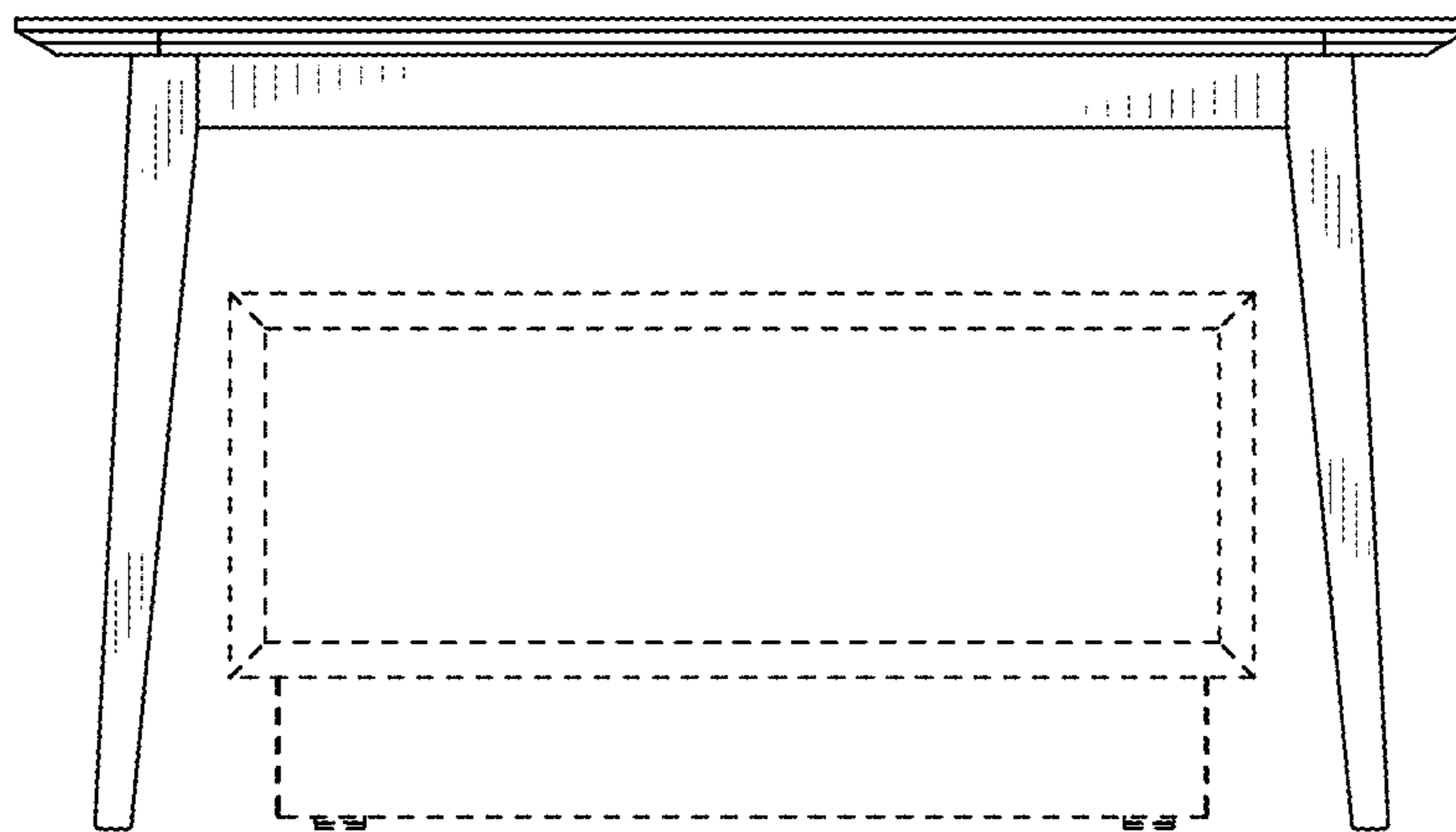


Fig. 3

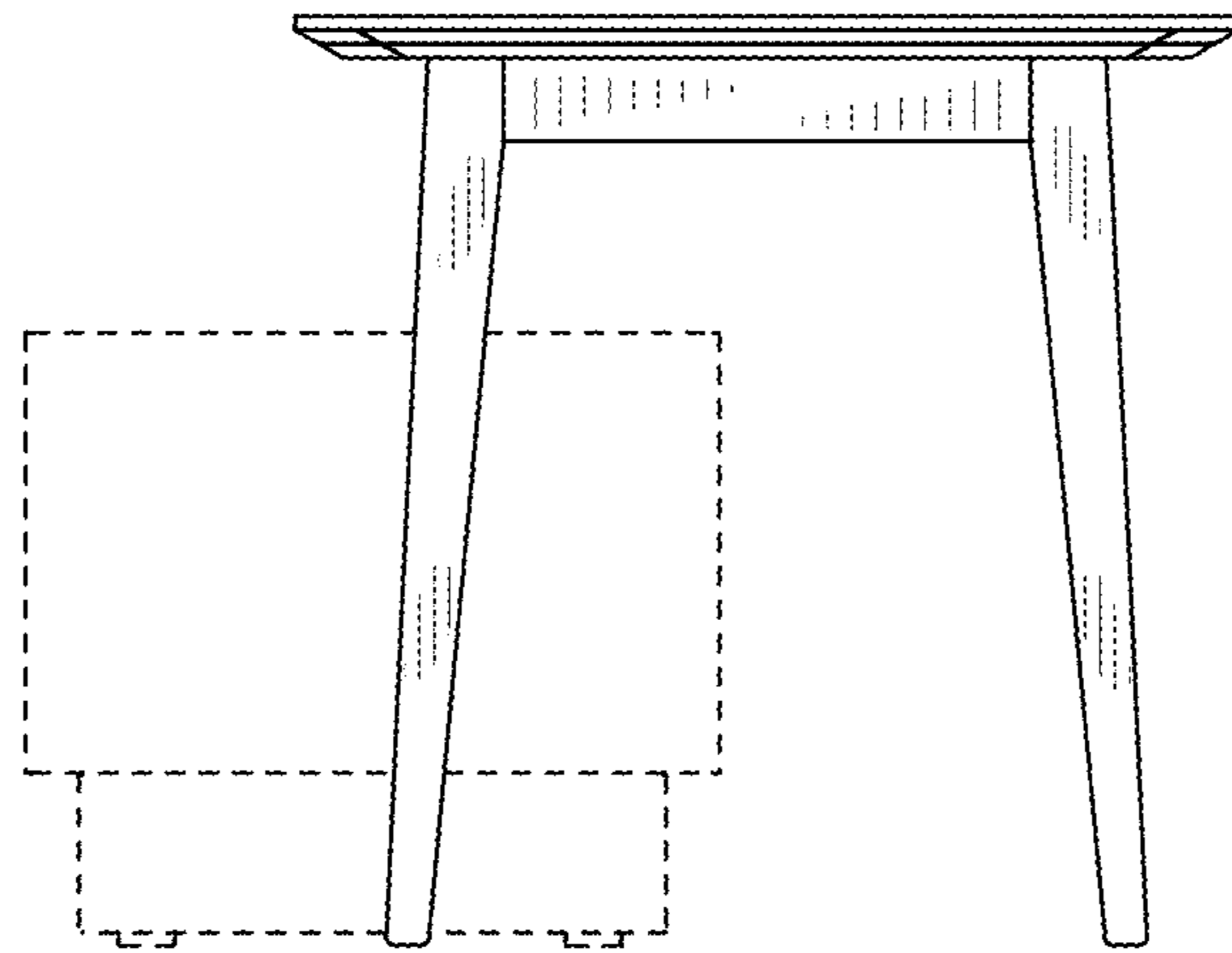


Fig. 4