



US00D927901S

(12) **United States Design Patent**  
**Sabounjian et al.**

(10) **Patent No.:** **US D927,901 S**

(45) **Date of Patent:** **\*\* Aug. 17, 2021**

(54) **WIRE STAND**

(71) Applicant: **Pro-Mart Industries, Inc.**, Irvine, CA (US)

(72) Inventors: **Sam C. Sabounjian**, Irvine, CA (US);  
**Azad Sabounjian**, Irvine, CA (US)

(\*\*) Term: **15 Years**

(21) Appl. No.: **29/699,658**

(22) Filed: **Jul. 26, 2019**

(51) **LOC (13) Cl.** ..... **06-06**

(52) **U.S. Cl.**  
USPC ..... **D6/675.5**

(58) **Field of Classification Search**  
USPC ..... D6/672, 675, 675.1, 675.3, 675.5;  
D7/600.1

CPC ..... A47B 47/021; A47B 55/02; A47F 5/00;  
A47F 5/0018; A47F 5/0056; A47F  
5/0043; A47F 5/01

See application file for complete search history.

(56) **References Cited**

**U.S. PATENT DOCUMENTS**

D215,773 S *	10/1969	Maslow	.....	D6/675.5
3,905,286 A *	9/1975	Le Grady	.....	A47J 37/0763
				99/450
5,097,971 A *	3/1992	Norris	.....	A47B 87/0207
				211/126.6
D413,218 S *	8/1999	Doty	.....	D6/675.5
6,318,570 B1 *	11/2001	Mueller	.....	A47B 87/0207
				211/126.7
D455,029 S *	4/2002	Gusdorf	.....	D6/675.4
D579,237 S *	10/2008	Gusdorf	.....	D6/675.2
D587,492 S *	3/2009	Gusdorf	.....	D6/675.5
D690,965 S *	10/2013	Goodman	.....	D6/675.5
D690,966 S *	10/2013	Goodman	.....	D6/675.5
D717,599 S *	11/2014	Lu	.....	D7/409

D719,383 S *	12/2014	Goodman	.....	D6/675.5
D723,309 S *	3/2015	Goodman	.....	D6/675.5
D724,358 S *	3/2015	Tsai	.....	D6/675.3
D725,414 S *	3/2015	Goodman	.....	D6/675.5
D730,666 S *	6/2015	Goodman	.....	D6/675.3
D742,664 S *	11/2015	Hsu	.....	D6/675.5
D742,665 S *	11/2015	Goodman	.....	D6/675.5
D747,629 S *	1/2016	Goodman	.....	D7/600.4
D771,984 S *	11/2016	Tsai	.....	D6/675.5
D911,131 S *	2/2021	Gong	.....	D7/698
2021/0112968 A1 *	4/2021	Ponomar	.....	A47C 13/00

\* cited by examiner

*Primary Examiner* — Kelley A Donnelly

(74) *Attorney, Agent, or Firm* — Stetina Brunda Garred & Brucker

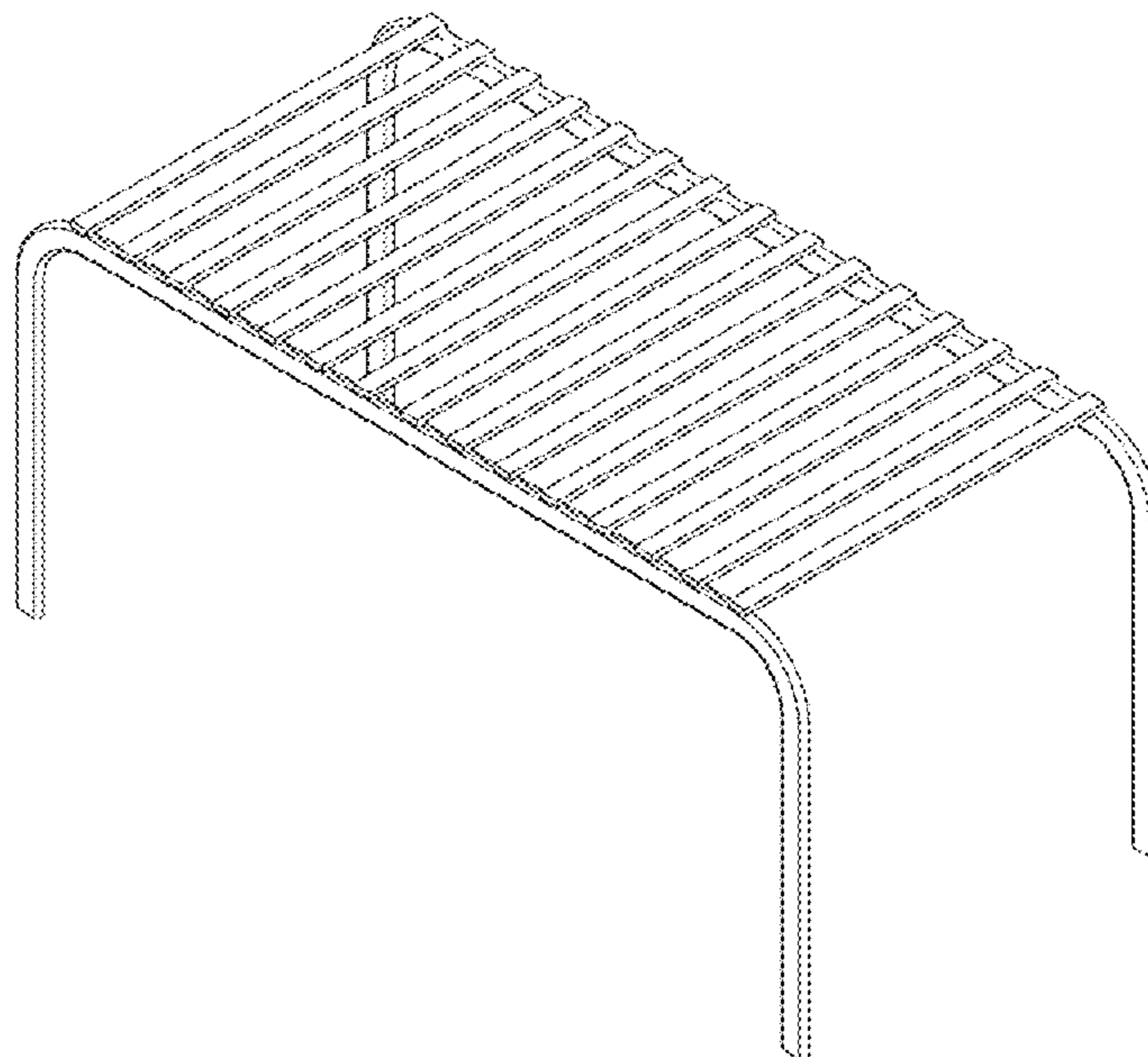
(57) **CLAIM**

The ornamental design for a wire stand, as shown and described.

**DESCRIPTION**

FIG. 1 is a perspective view of a wire stand according to an embodiment including flat wire cross members;  
 FIG. 2 is a front view of the wire stand of FIG. 1, the opposing back view being a mirror image thereof;  
 FIG. 3 is an end view of the wire stand of FIG. 1, the opposing end view being a mirror image thereof;  
 FIG. 4 is a top view of the wire stand of FIG. 1;  
 FIG. 5 is a bottom view of the wire stand of FIG. 1;  
 FIG. 6 is a perspective view of a wire stand according to an embodiment including round wire cross members;  
 FIG. 7 is a front view of the wire stand of FIG. 7, the opposing back view being a mirror image thereof;  
 FIG. 8 is an end view of the wire stand of FIG. 7, the opposing end view being a mirror image thereof;  
 FIG. 9 is a top view of the wire stand of FIG. 7; and,  
 FIG. 10 is a bottom view of the wire stand of FIG. 7.

**1 Claim, 6 Drawing Sheets**



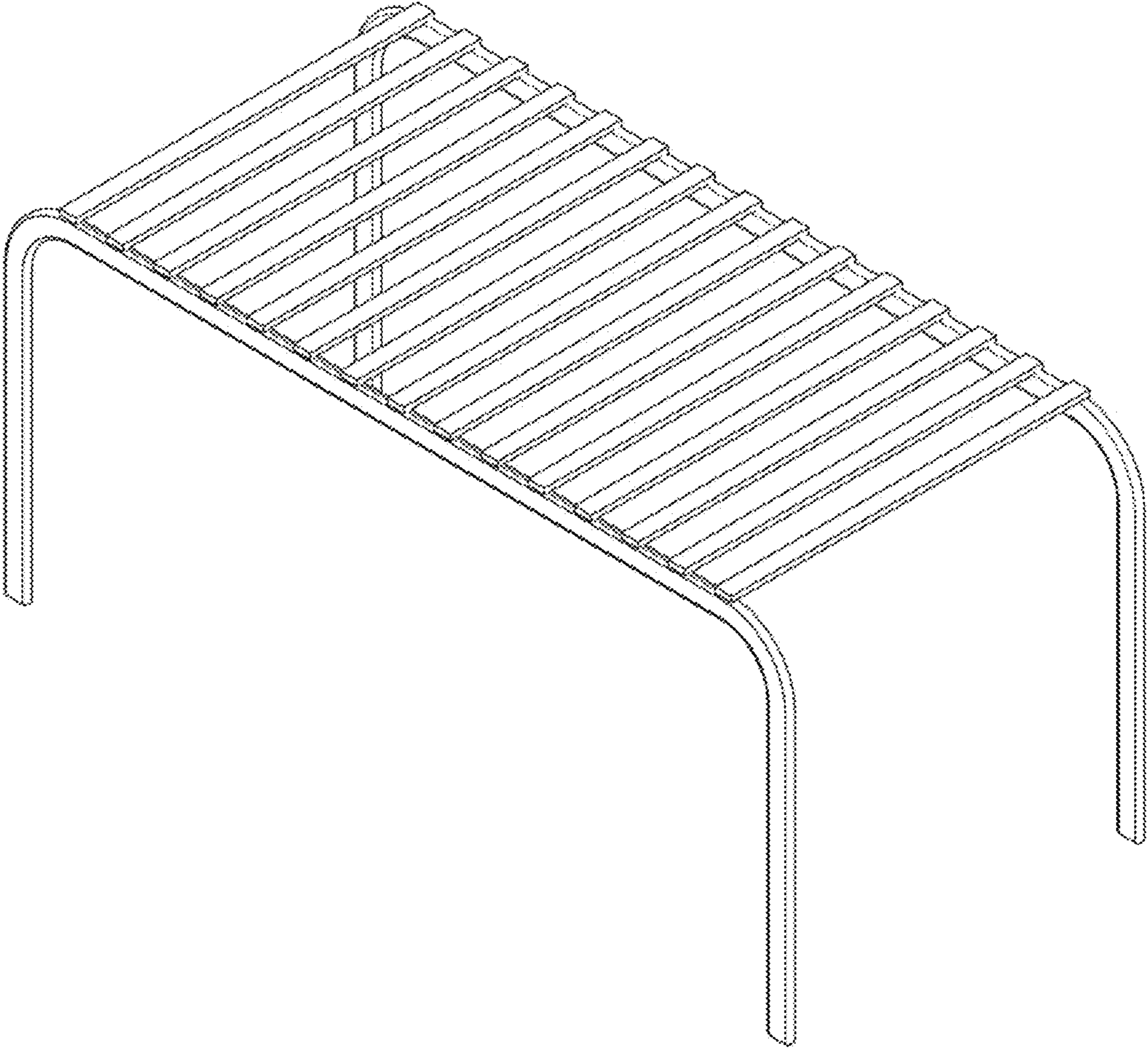


FIGURE 1

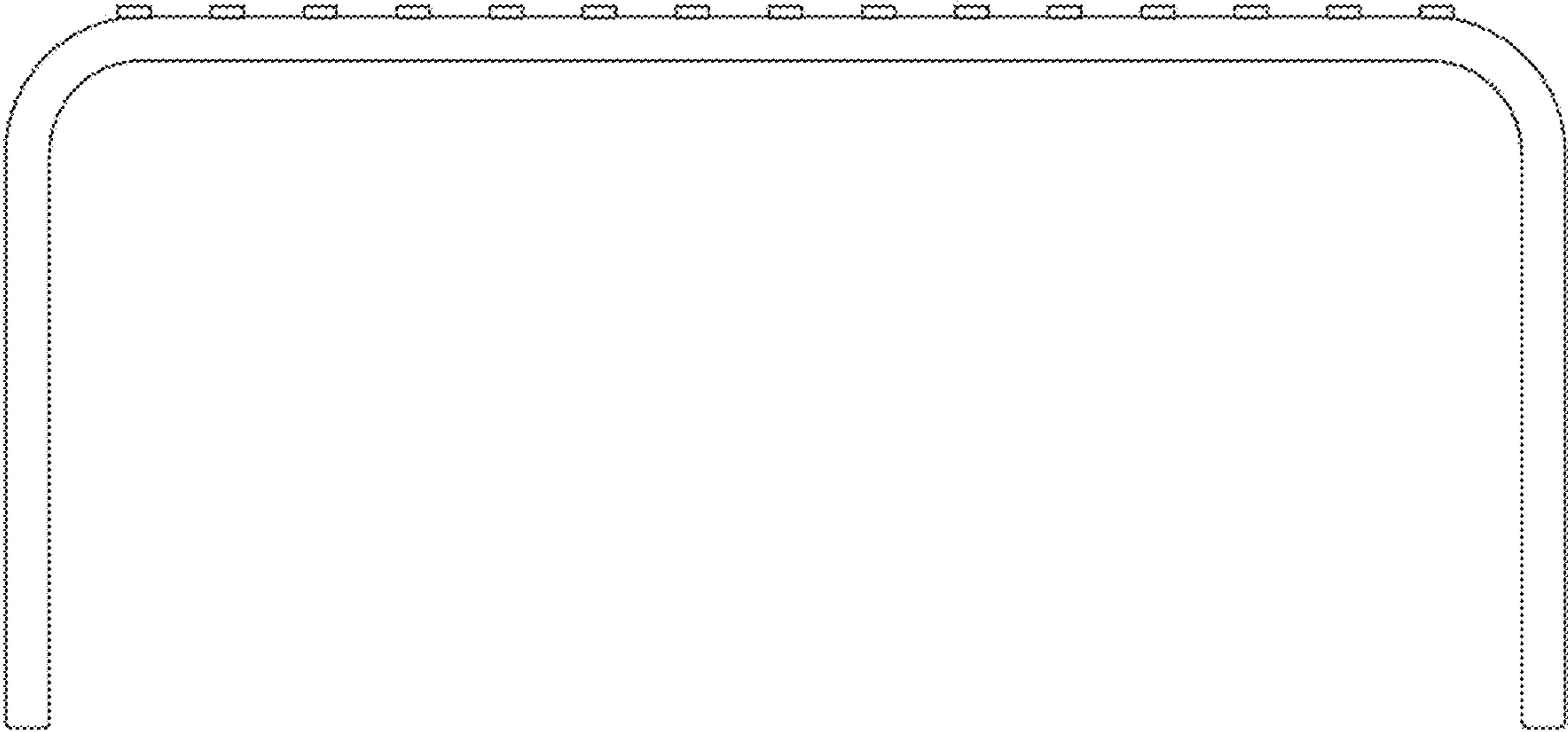


FIGURE 2

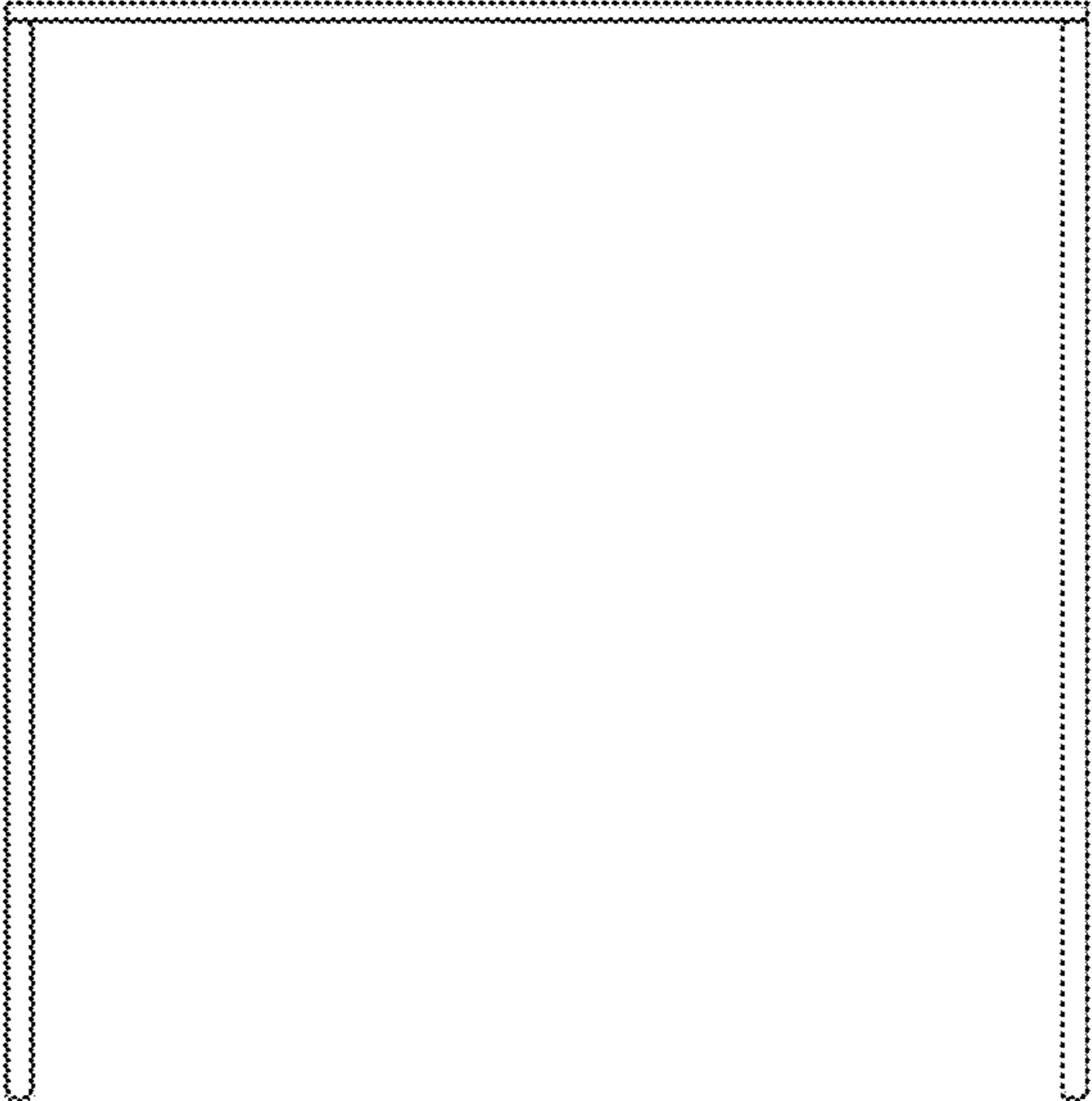


FIGURE 3

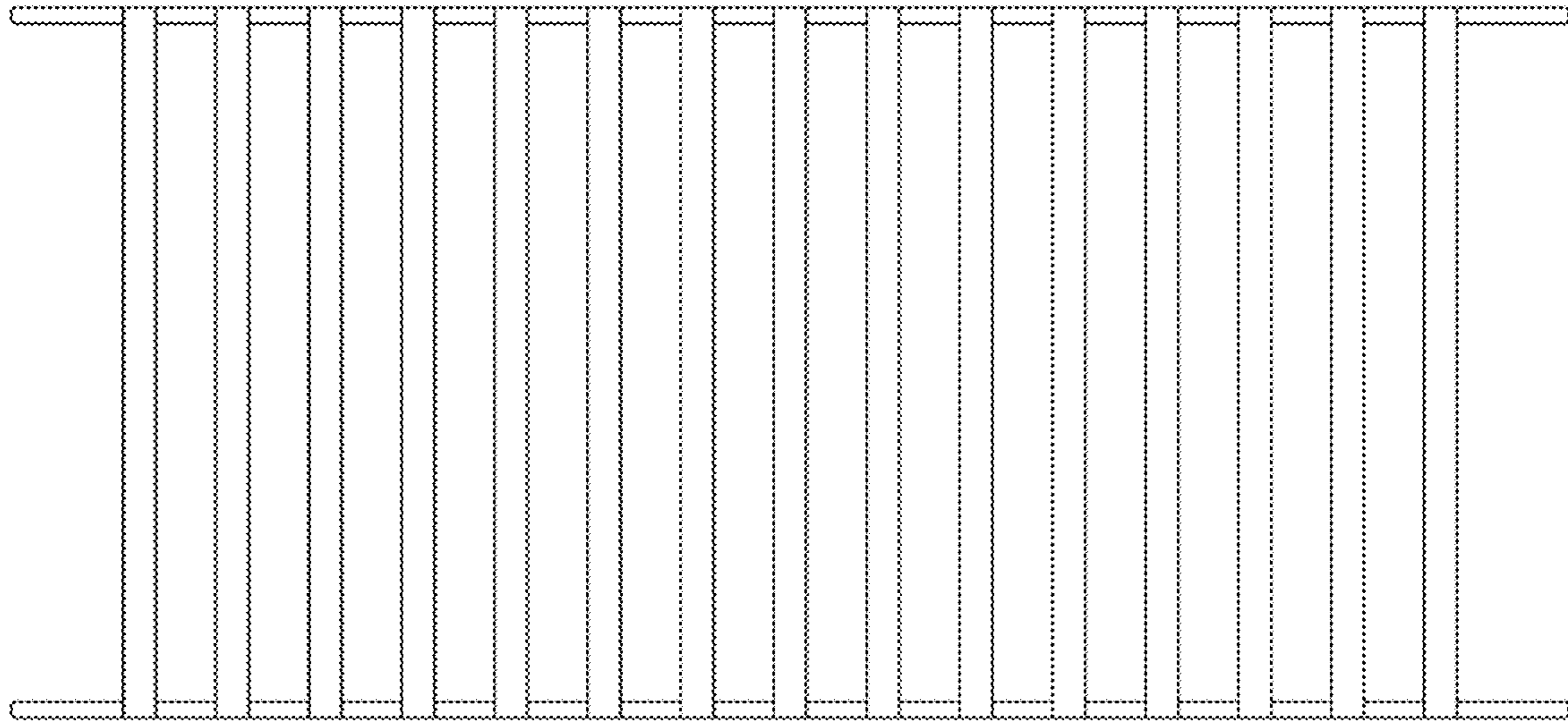


FIGURE 4

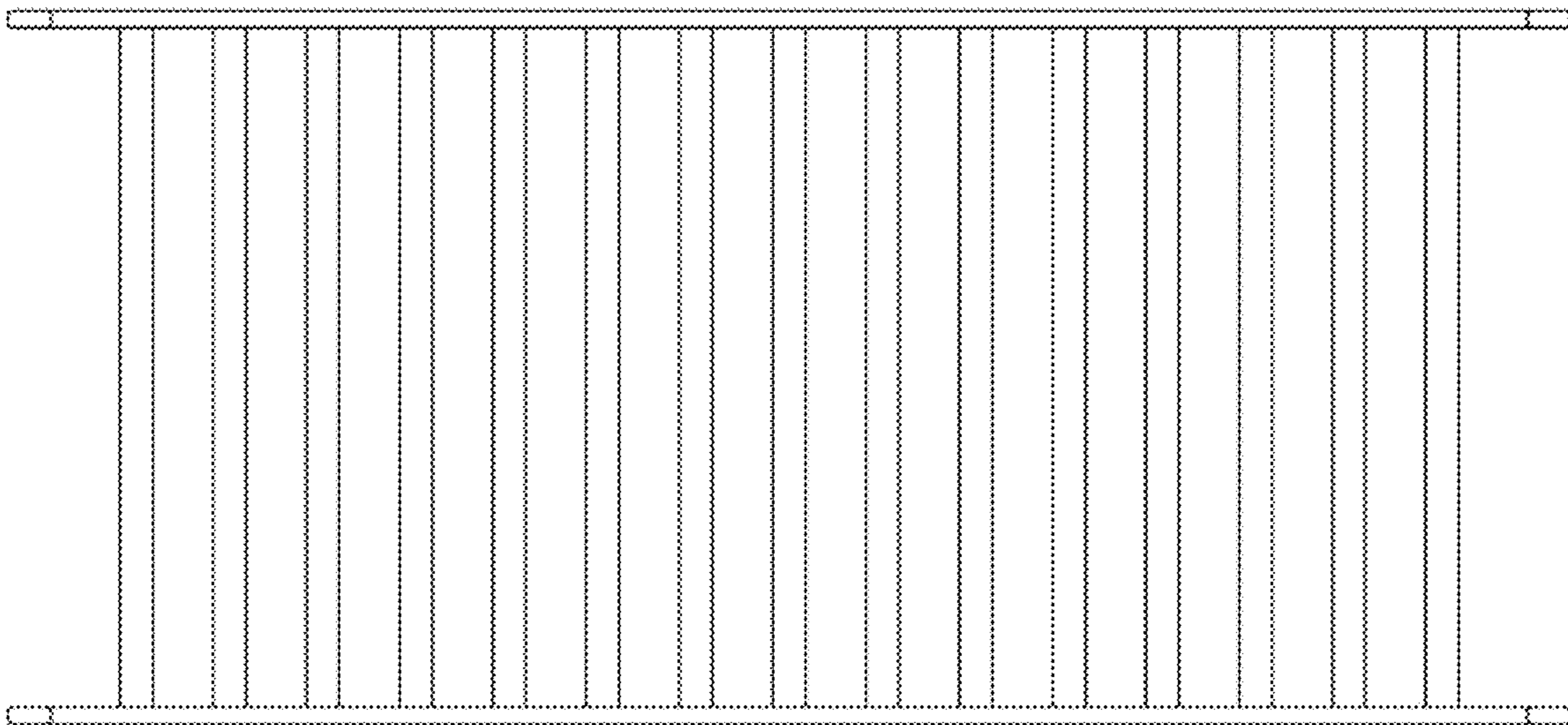


FIGURE 5

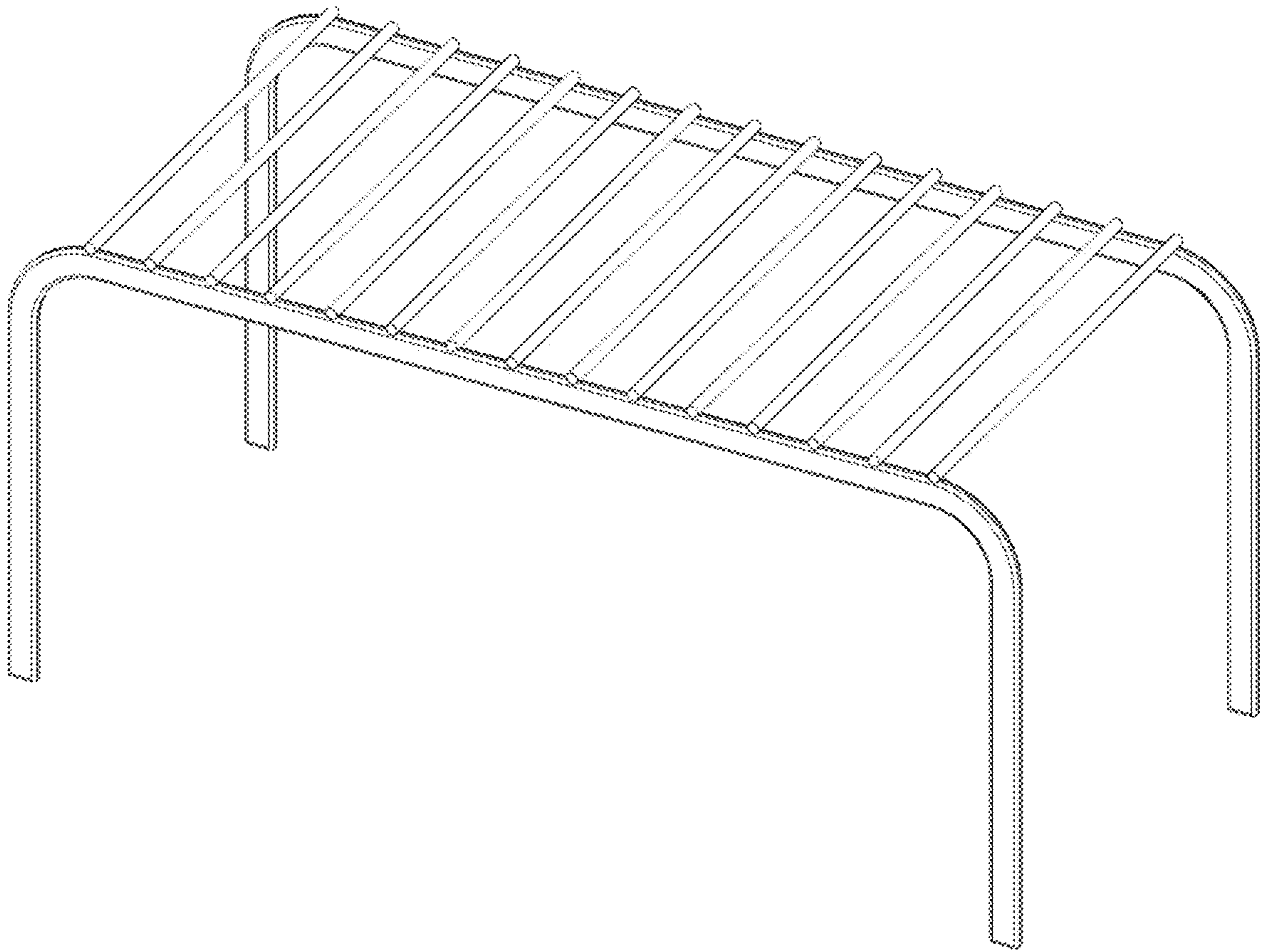


FIGURE 6

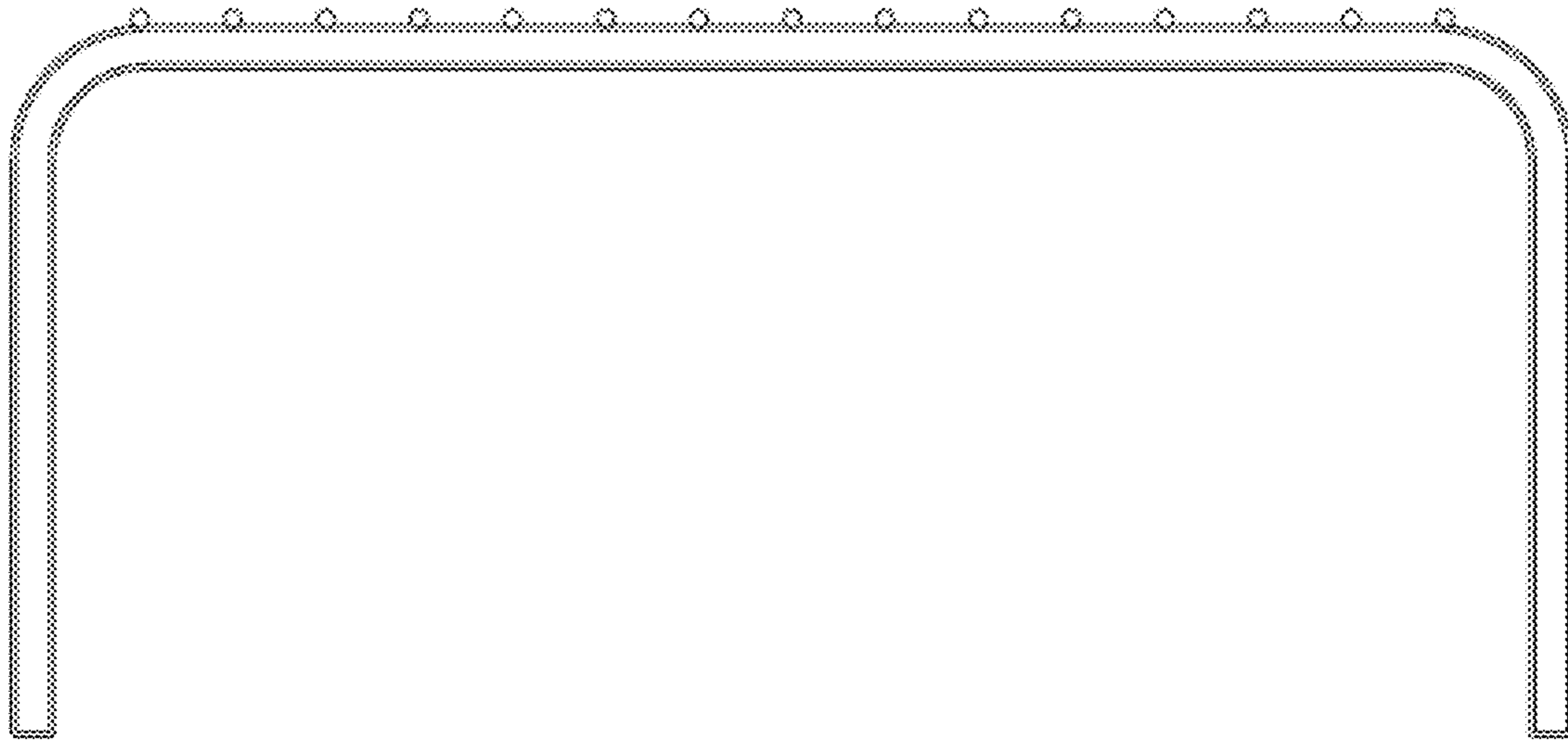


FIGURE 7

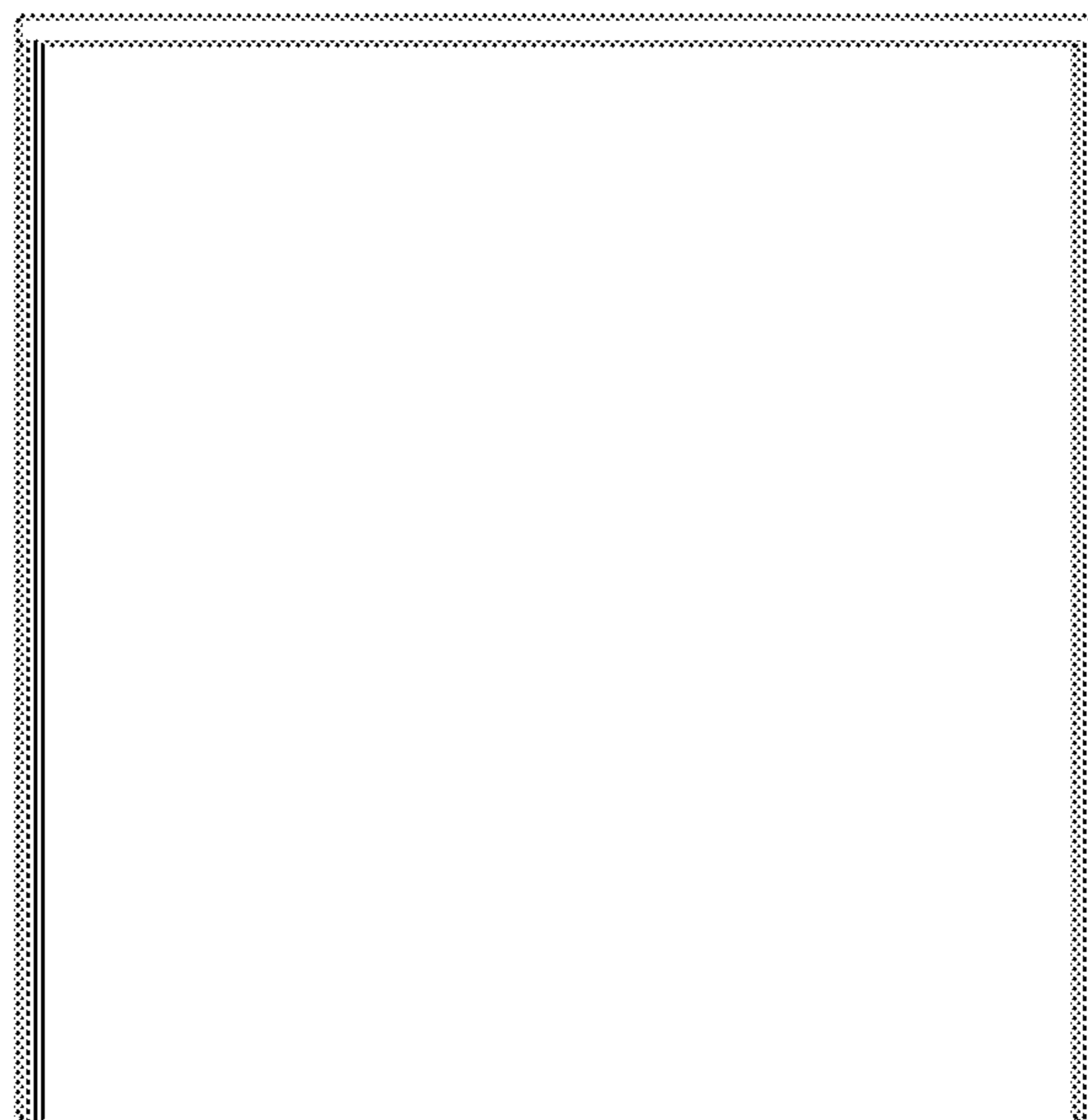


FIGURE 8

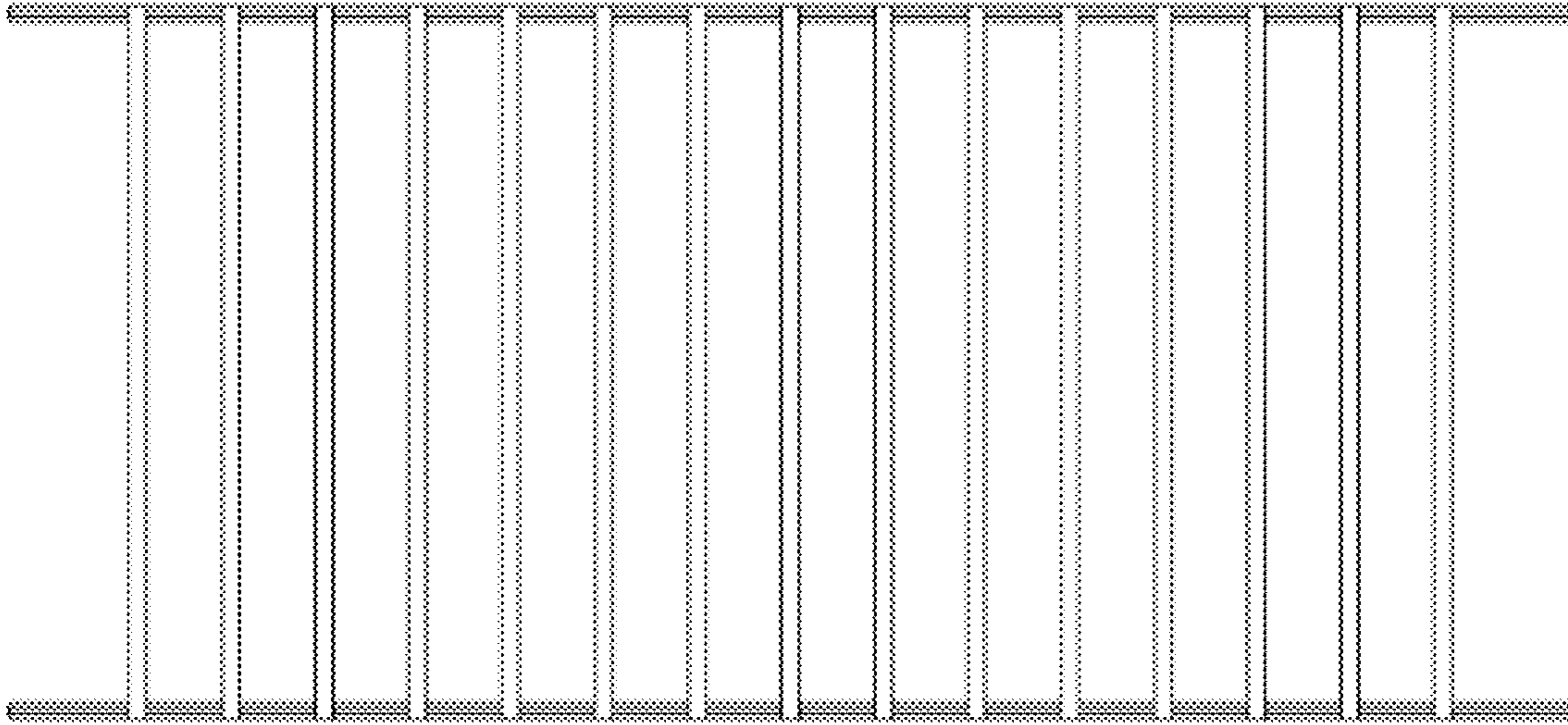


FIGURE 9

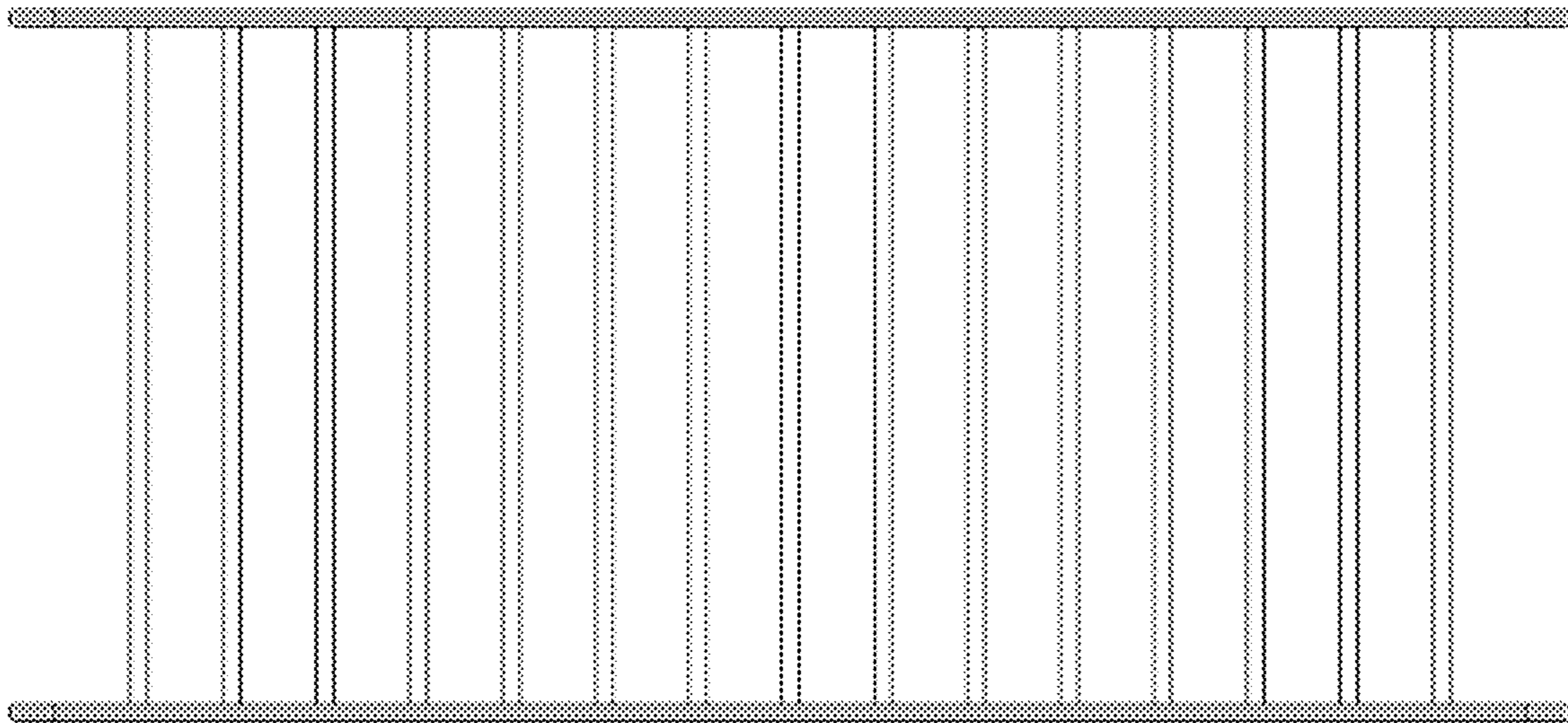


FIGURE 10