



US00D927900S

(12) **United States Design Patent** (10) **Patent No.:** **US D927,900 S**
Haller (45) **Date of Patent:** **** Aug. 17, 2021**

(54) DISPLAY WITH STAND	5,317,691 A * 5/1994 Traeger H04M 1/04 709/250
(71) Applicant: ELO TOUCH SOLUTIONS, INC., Milpitas, CA (US)	D358,951 S * 6/1995 Raynor D14/251 D368,184 S * 3/1996 Eley D6/406.4 D400,735 S * 11/1998 House D14/448 5,868,079 A * 2/1999 Charny F16M 11/42 108/7
(72) Inventor: Jeffrey T. Haller, Redwood City, CA (US)	D409,018 S * 5/1999 Deuschle D14/253 D430,166 S * 8/2000 Takagi D14/452 6,179,253 B1 * 1/2001 Cotton B60K 35/00 248/27.1
(73) Assignee: ELO TOUCH SOLUTIONS, INC., Milpitas, CA (US)	D454,136 S * 3/2002 Deuschle D14/447 D462,359 S * 9/2002 Scharer D14/451 D467,561 S * 12/2002 Kosciolek D14/129 D478,088 S * 8/2003 Hamouz D14/451 D487,270 S * 3/2004 Richter D14/447 D535,615 S * 1/2007 Iwai D13/108 D547,755 S * 7/2007 Wang D14/239 D551,663 S * 9/2007 Kita D14/239
(**) Term: 15 Years	
(21) Appl. No.: 29/740,614	
(22) Filed: Jul. 6, 2020	

(Continued)

Related U.S. Application Data

(63) Continuation of application No. 29/711,858, filed on Nov. 4, 2019, now Pat. No. Des. 891,827, which is a continuation of application No. 29/607,242, filed on Jun. 12, 2017, now Pat. No. Des. 865,771.

(51) **LOC (13) Cl.** **20-02**
(52) **U.S. Cl.**
USPC **D6/672**

(58) **Field of Classification Search**
USPC D6/672, 673, 675, 681, 682, 700;
D14/451, 448, 251, 217, 432
CPC F16M 11/00; F16M 11/04; F16M 13/00;
G06F 1/1637; G06F 1/1692; A61B
1/00045; H04N 5/64; H04N 5/645; Y10S
248/917

See application file for complete search history.

(56) **References Cited**

U.S. PATENT DOCUMENTS

D261,082 S * 10/1981 Lordahl D6/567
D277,662 S * 2/1985 Huntington D13/107
D283,954 S * 5/1986 Daws D6/310

Primary Examiner — Steven J Czyn

(74) *Attorney, Agent, or Firm* — Sterne, Kessler,
Goldstein & Fox P.L.L.C.

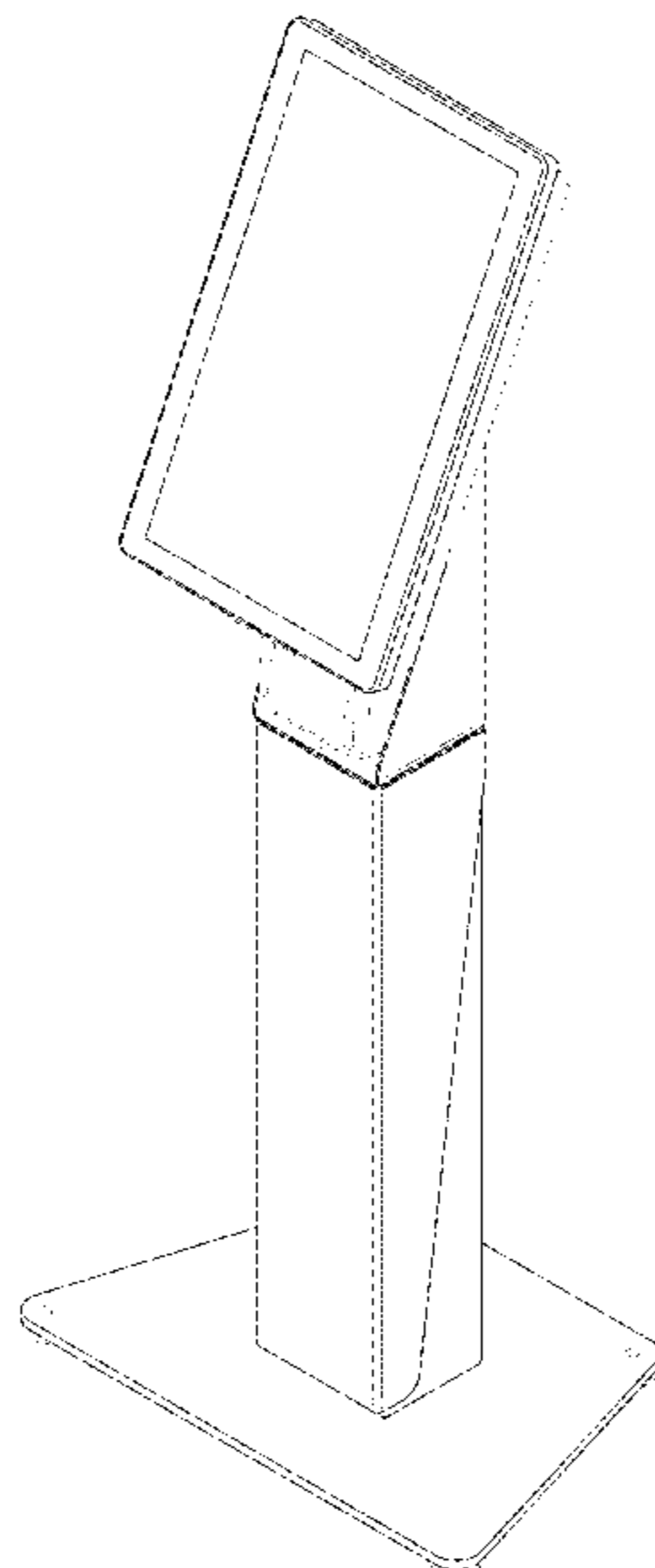
(57) **CLAIM**

The ornamental design for a display with stand, as shown and described.

DESCRIPTION

FIG. 1 is a top front perspective view of a display with stand showing the claimed design;
FIG. 2 is a top rear perspective view thereof;
FIG. 3 is a front view thereof;
FIG. 4 is a rear view thereof;
FIG. 5 is a left side view thereof;
FIG. 6 is a right side view thereof;
FIG. 7 is a top view thereof; and,
FIG. 8 is a bottom view thereof.
The broken lines in the figures show environment and portions of the display with stand that form no part of the claimed design.

1 Claim, 7 Drawing Sheets



(56)

References Cited

U.S. PATENT DOCUMENTS

7,274,555 B2 * 9/2007 Kim F16M 11/046
 248/125.1
 D562,588 S * 2/2008 Bays D6/672
 7,392,965 B2 * 7/2008 Jung F16M 11/28
 248/176.3
 D584,075 S * 1/2009 Hung D14/239
 D605,426 S * 12/2009 Mason D6/672
 D605,588 S * 12/2009 Nomi D13/108
 D613,684 S * 4/2010 Nishizawa D13/108
 D615,072 S * 5/2010 Saitou D14/239
 D615,514 S * 5/2010 Mellingen D14/126
 D631,481 S * 1/2011 Floersch D14/451
 D645,847 S * 9/2011 Chau D14/217
 D646,904 S * 10/2011 Feldstein D6/310
 D647,898 S * 11/2011 Haller D14/336
 D652,045 S * 1/2012 Hong D14/447
 D655,293 S * 3/2012 Gioscia D14/434
 D663,736 S * 7/2012 Stanek D14/451
 D671,934 S * 12/2012 Alman D14/253
 D680,118 S * 4/2013 Schmelling D14/434
 D683,141 S * 5/2013 Symons D6/310
 D685,806 S * 7/2013 Kim D14/451
 D686,852 S * 7/2013 Lalo D6/675.4
 D688,673 S * 8/2013 Haller D14/451
 D722,794 S * 2/2015 Luong D6/673
 D725,182 S * 3/2015 Haller D18/4.4
 D734,074 S * 7/2015 Jouin D6/672
 D736,211 S * 8/2015 Kirkpatrick H05K 7/20136
 D14/434
 D741,626 S * 10/2015 Tapias D6/672
 9,247,861 B2 * 2/2016 Kan H04N 5/655
 D755,788 S * 5/2016 Mitchell D14/371
 D760,845 S * 7/2016 Plakas D21/385

D771,615 S * 11/2016 Pignotti D14/253
 D775,123 S * 12/2016 Guimaraes D14/336
 D778,277 S * 2/2017 Haller D14/336
 D778,279 S * 2/2017 Pendse D14/341
 D782,226 S * 3/2017 Zheng D6/672
 D782,975 S * 4/2017 Chen D13/108
 D787,522 S * 5/2017 Lee D14/451
 D787,866 S * 5/2017 Baraldi D6/681.3
 D788,778 S * 6/2017 Magi D14/434
 D792,413 S * 7/2017 Floersch D14/447
 D792,414 S * 7/2017 Floersch D14/447
 D794,630 S * 8/2017 Pendse D14/341
 D798,636 S * 10/2017 Van Landingham, Jr.
 D6/677.4
 D806,159 S * 12/2017 Haller D18/4.5
 D806,450 S * 1/2018 Seong D6/672
 D810,014 S * 2/2018 Haranaka D13/108
 D811,753 S * 3/2018 Conrad D6/310
 D813,850 S * 3/2018 Young, III D14/224
 D825,575 S * 8/2018 Gao D14/447
 D830,369 S * 10/2018 Grundstrom D14/447
 D837,387 S * 1/2019 Vollum D24/185
 D837,800 S * 1/2019 Haller D14/451
 D842,305 S * 3/2019 Gao D14/447
 D842,862 S * 3/2019 Ellis D14/447
 D864,194 S * 10/2019 Perry D14/336
 D865,771 S * 11/2019 Haller D14/451
 D868,793 S * 12/2019 Germe D14/451
 D876,431 S * 2/2020 Pendse D14/341
 D877,743 S * 3/2020 Pei D14/451
 D890,551 S * 7/2020 Von Holzhausen D6/672
 D891,827 S * 8/2020 Haller D6/672
 D894,196 S * 8/2020 Wu D14/451
 D894,651 S * 9/2020 Chu D6/700
 D902,218 S * 11/2020 Lee D14/451
 D913,297 S * 3/2021 Coman D14/451

* cited by examiner

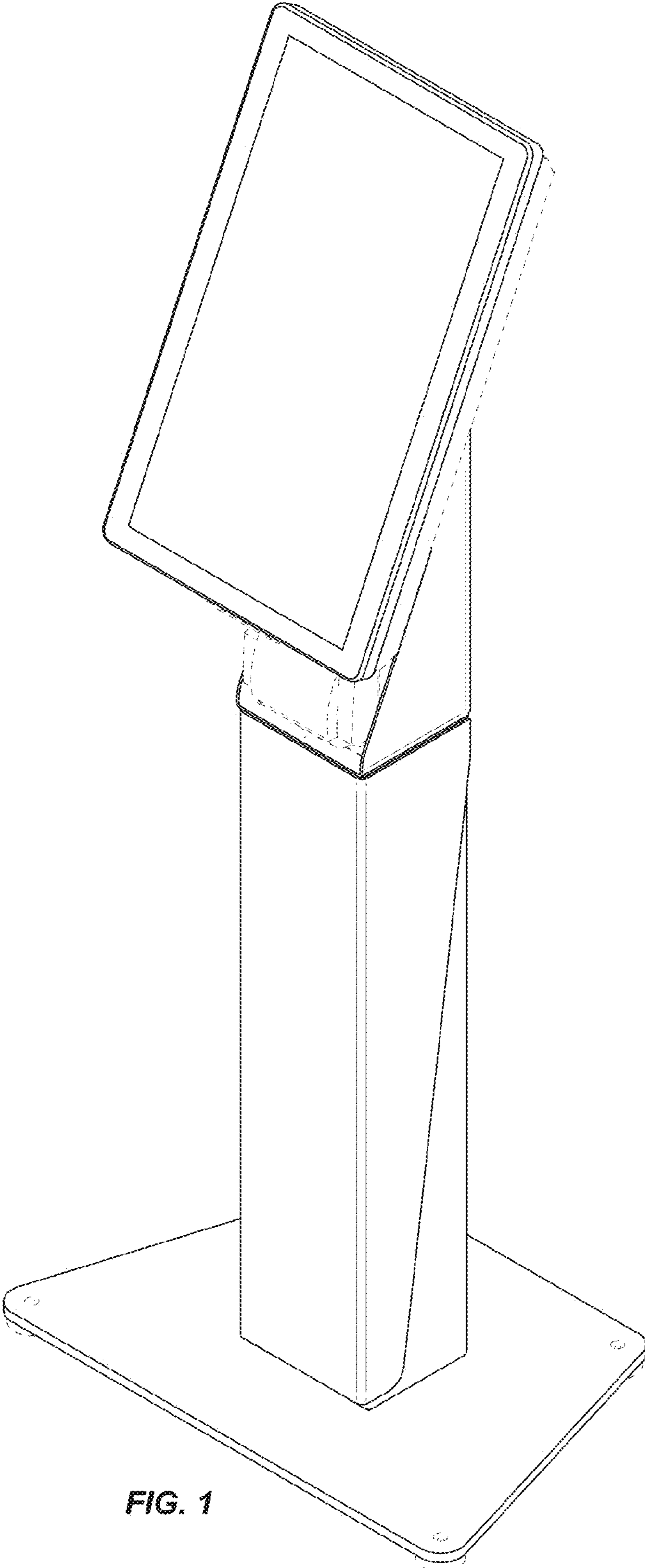


FIG. 1

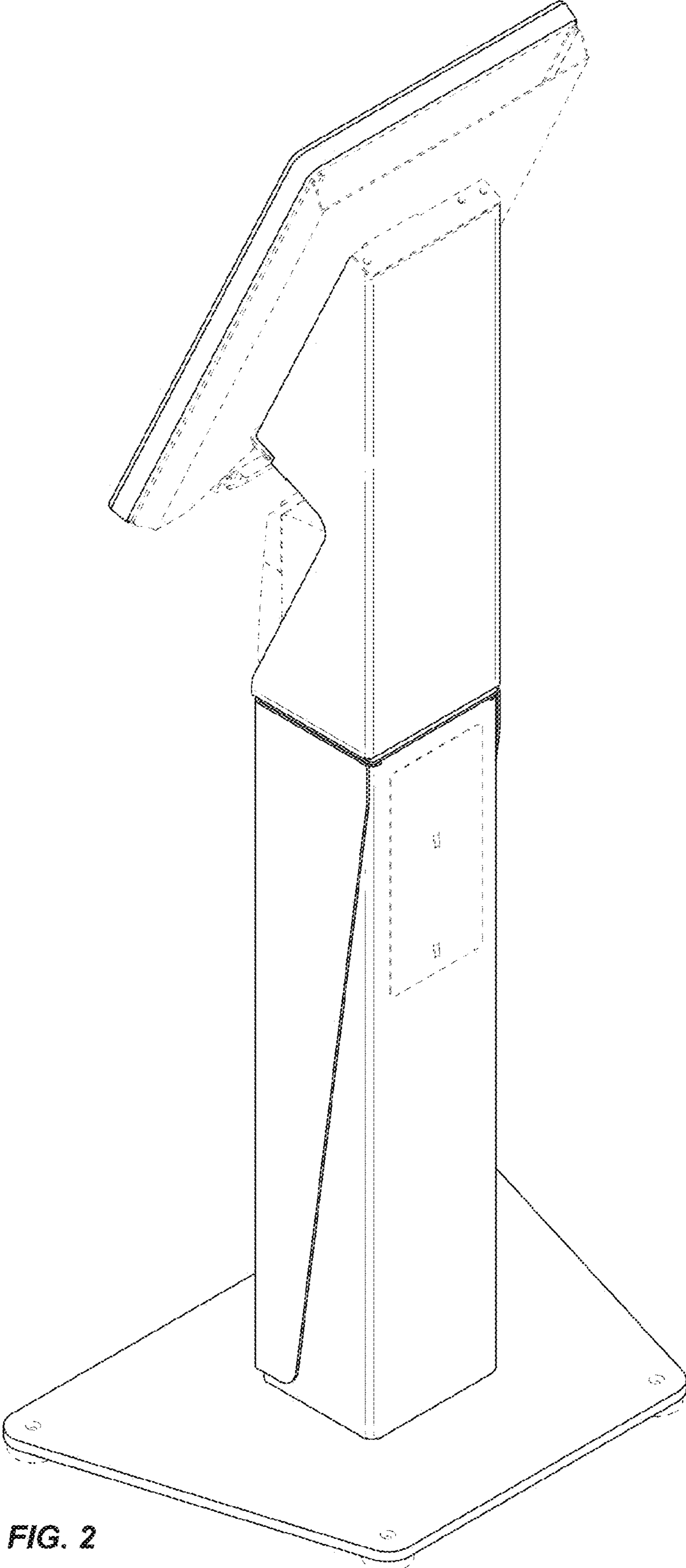


FIG. 2

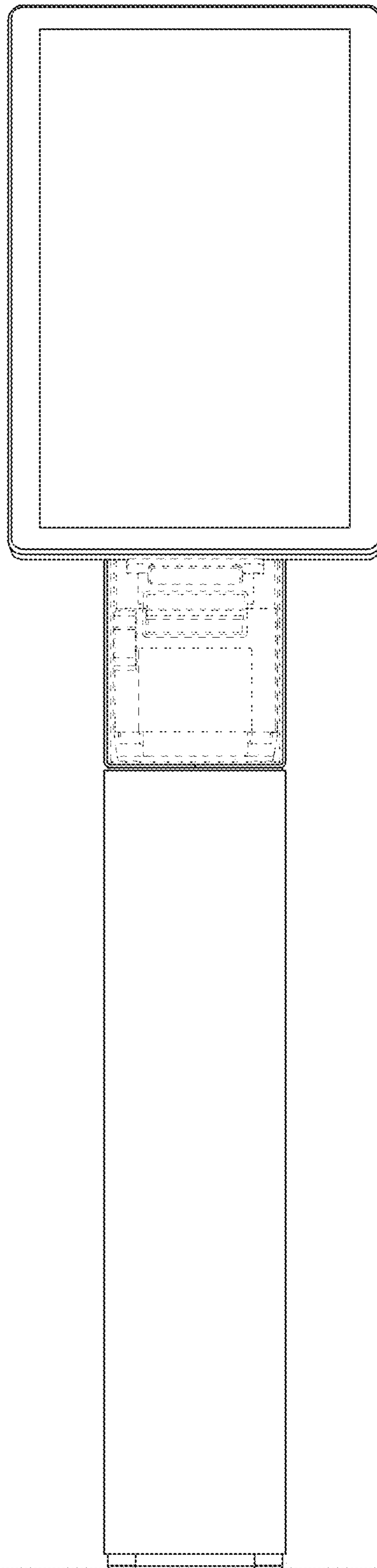
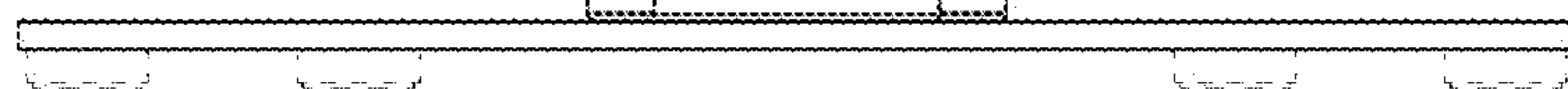


FIG. 3



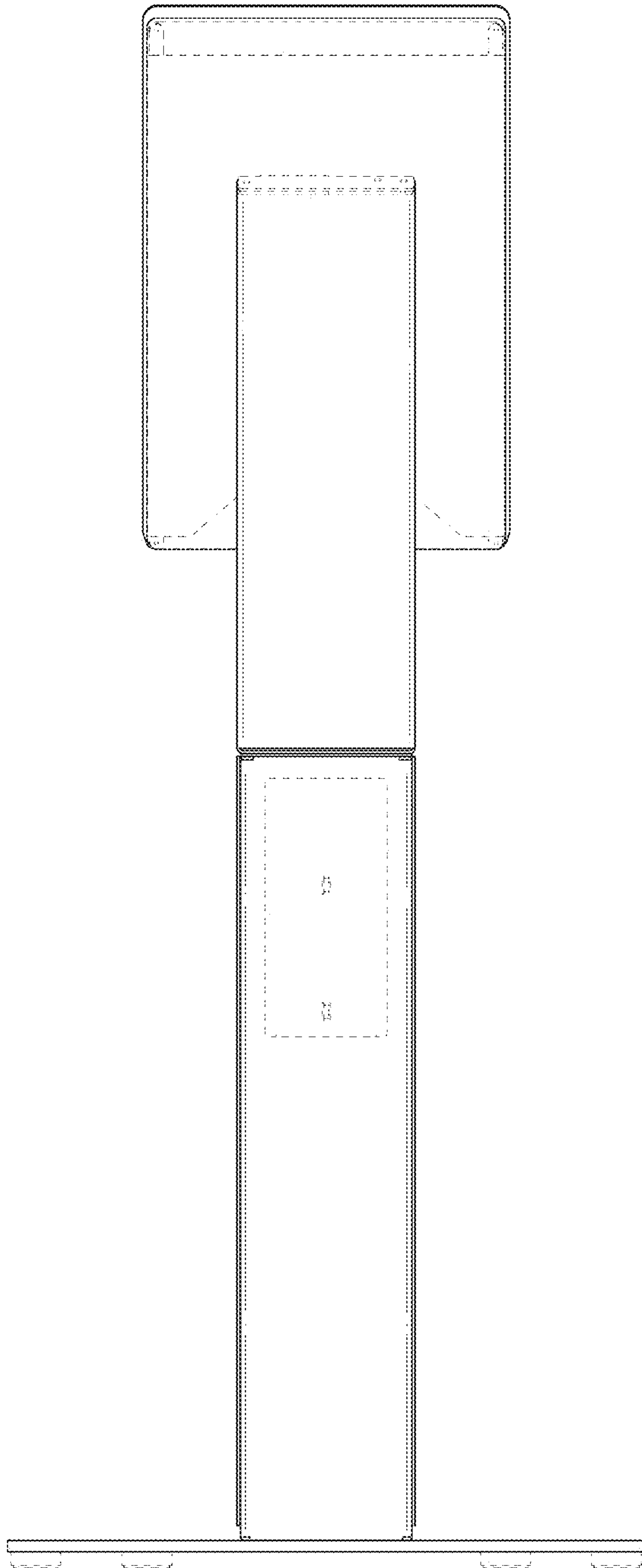


FIG. 4

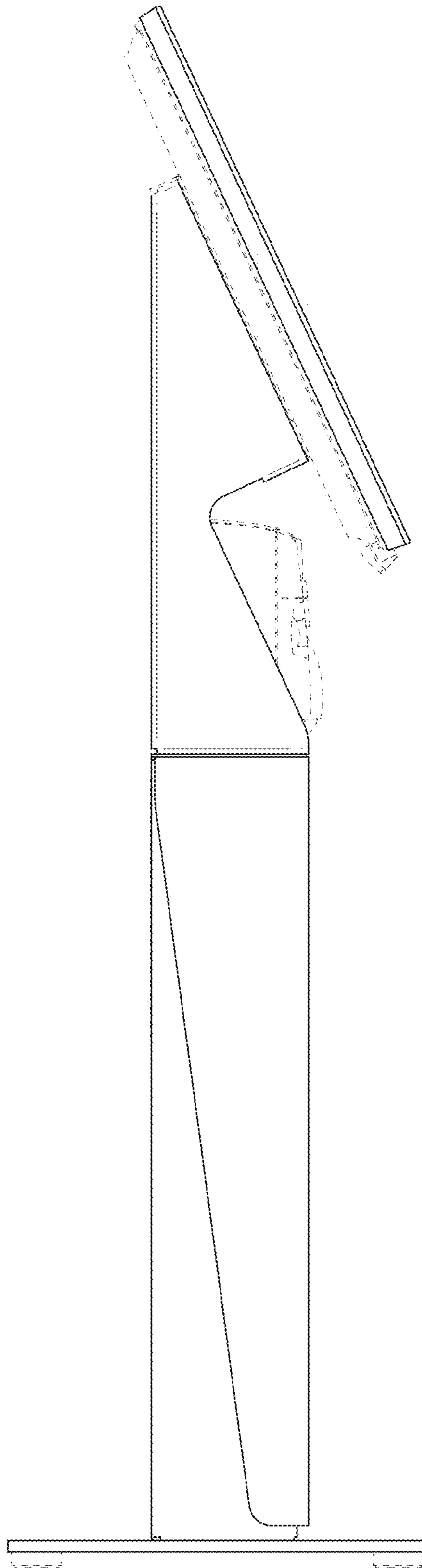


FIG. 5

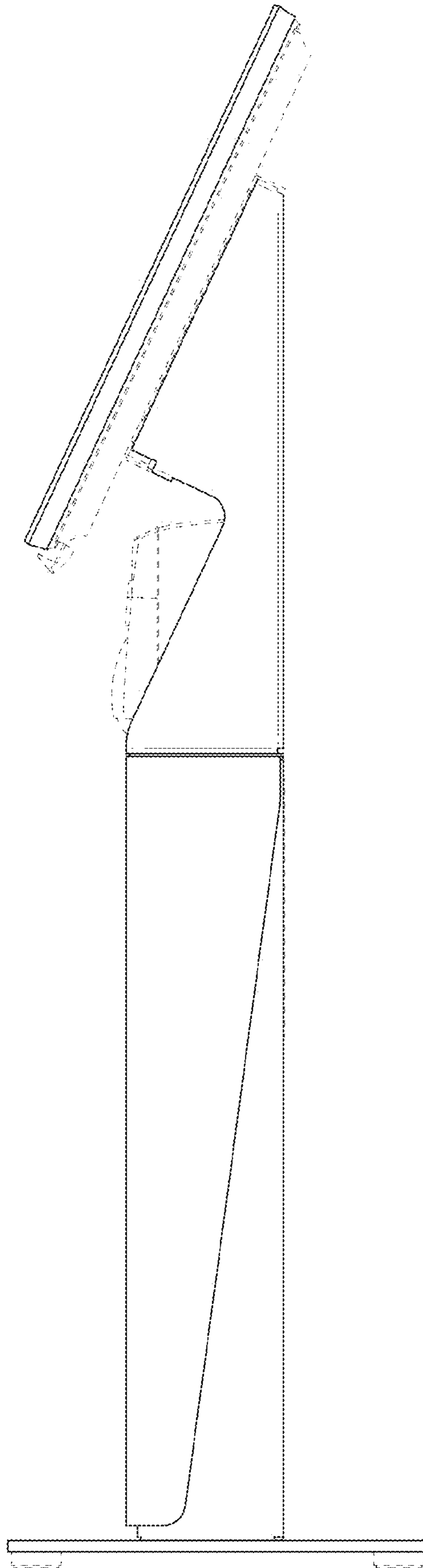


FIG. 6

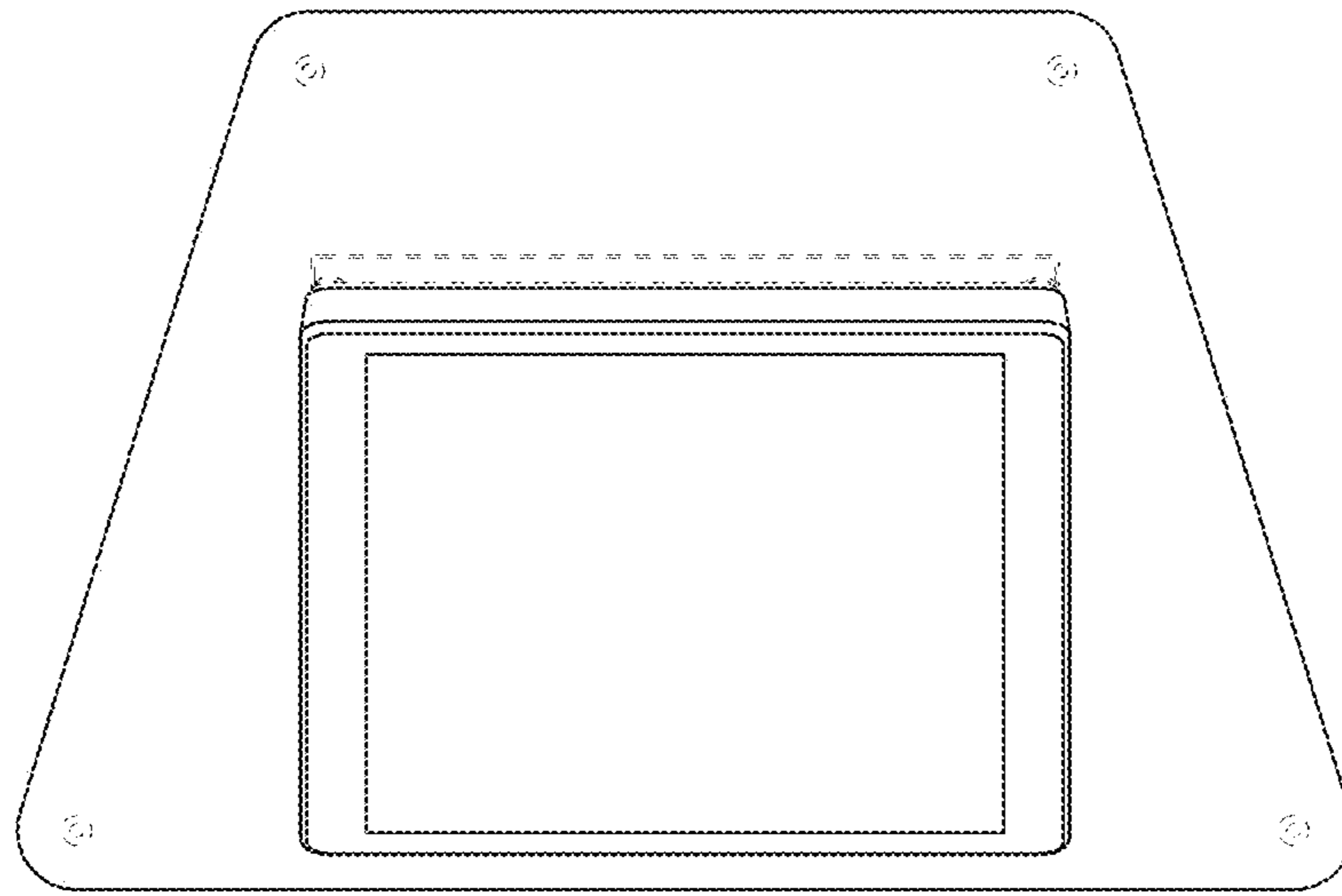


FIG. 7

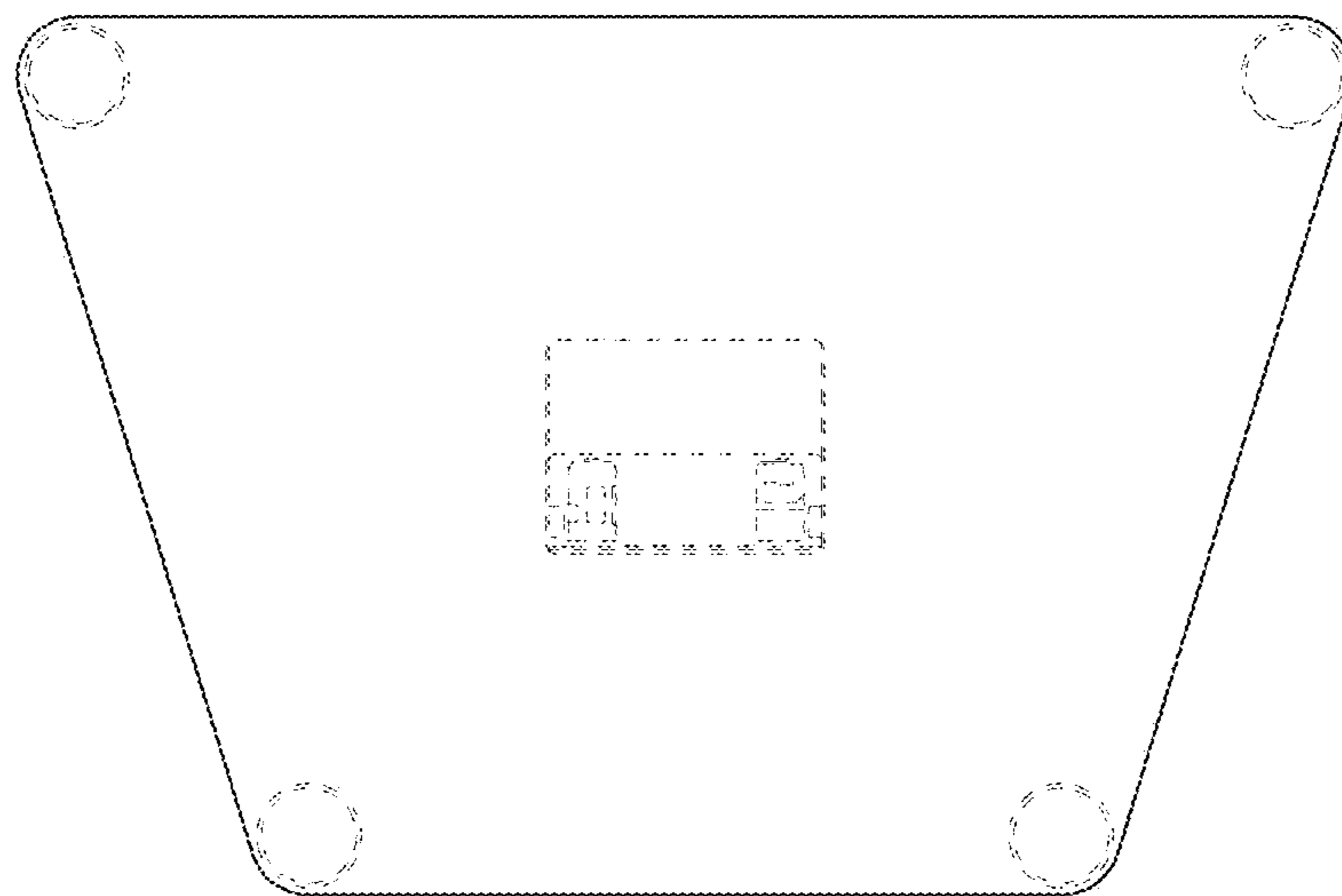


FIG. 8