



US00D927896S

(12) **United States Design Patent** (10) **Patent No.:** **US D927,896 S**  
**Pedersen et al.** (45) **Date of Patent:** **\*\* Aug. 17, 2021**

(54) **DISPLAY UNIT**  
(71) Applicant: **Target Brands, Inc.**, Minneapolis, MN (US)  
(72) Inventors: **Sara L. Pedersen**, Minneapolis, MN (US); **Christopher S. Case**, Shakopee, MN (US); **Grace C. Manuel**, Minneapolis, MN (US)

6,283,563 B1 \* 9/2001 Lambright ..... A47B 45/00  
312/203  
D487,853 S \* 3/2004 Woods ..... D6/662  
D576,421 S \* 9/2008 Grabowski ..... D6/653.1  
D808,198 S \* 1/2018 Sun ..... D6/671.1  
D836,953 S \* 1/2019 Brodbeck ..... D6/657  
D864,621 S \* 10/2019 Prontera ..... D6/662  
D894,642 S \* 9/2020 Chapman ..... D6/662  
2014/0265807 A1 \* 9/2014 Kendall ..... F25D 25/021  
312/408  
2019/0284859 A1 \* 9/2019 Rupp ..... E05D 15/264

(73) Assignee: **Target Brands, Inc.**, Minneapolis, MN (US)

(\*\*) Term: **15 Years**

(21) Appl. No.: **29/696,550**

(22) Filed: **Jun. 28, 2019**

(51) **LOC (13) Cl.** ..... **06-04**

(52) **U.S. Cl.**  
USPC ..... **D6/657**

(58) **Field of Classification Search**  
USPC ..... D6/657, 659, 660, 661, 662, 663, 669  
CPC ..... A47B 46/00; A47B 47/00; A47B 47/02;  
A47B 47/021; A47B 47/022; A47B  
47/04; A47B 55/00; A47B 67/00; A47B  
67/02; A47B 67/04; A47B 81/00; A47B  
57/04

See application file for complete search history.

(56) **References Cited**

**U.S. PATENT DOCUMENTS**

2,626,198 A \* 1/1953 Vanderveld ..... A47B 96/1416  
312/108  
D249,427 S \* 9/1978 Neveux ..... D6/657  
D250,369 S \* 11/1978 Ornatek ..... D6/662  
D394,763 S \* 6/1998 Zaidman ..... D6/662.1

**OTHER PUBLICATIONS**

Design U.S. Appl. No. 29/696,030, filed Jun. 25, 2019 entitled "Display Unit", 10 pages.

\* cited by examiner

*Primary Examiner* — R. Johnson

(74) *Attorney, Agent, or Firm* — Leanne Taveggia Farrell; Westman, Champlin & Koehler, P.A.

(57) **CLAIM**

The ornamental design for a display unit, as shown and described.

**DESCRIPTION**

FIG. 1 is a perspective view of a display unit showing our new design;

FIG. 2 is a top view thereof;

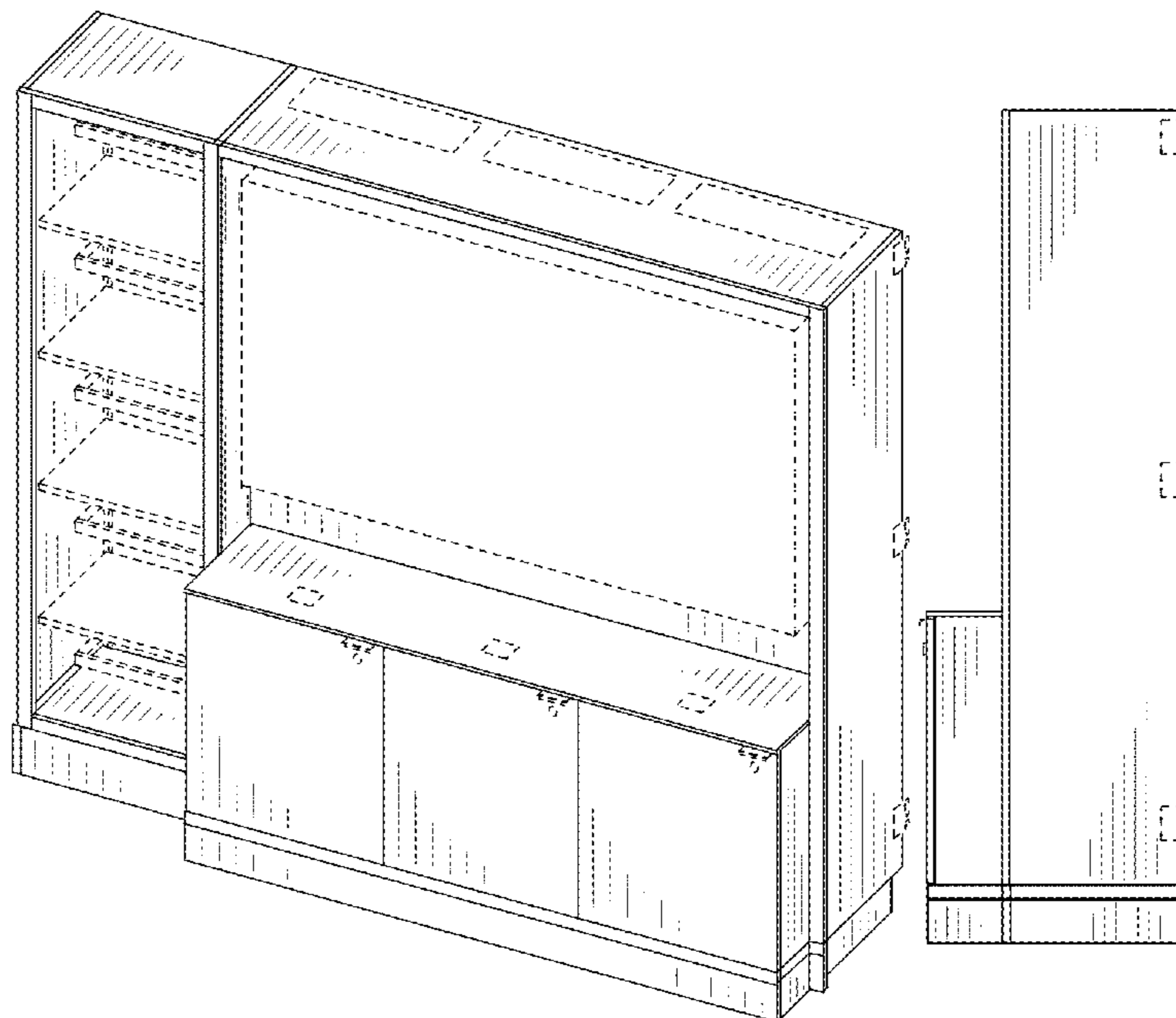
FIG. 3 is a front view thereof;

FIG. 4 is a right side view thereof; and,

FIG. 5 is a left side view thereof.

The broken lines shown in the drawings are included for the purposes of illustrating the portions of the display unit that form no part of the claimed design.

**1 Claim, 3 Drawing Sheets**



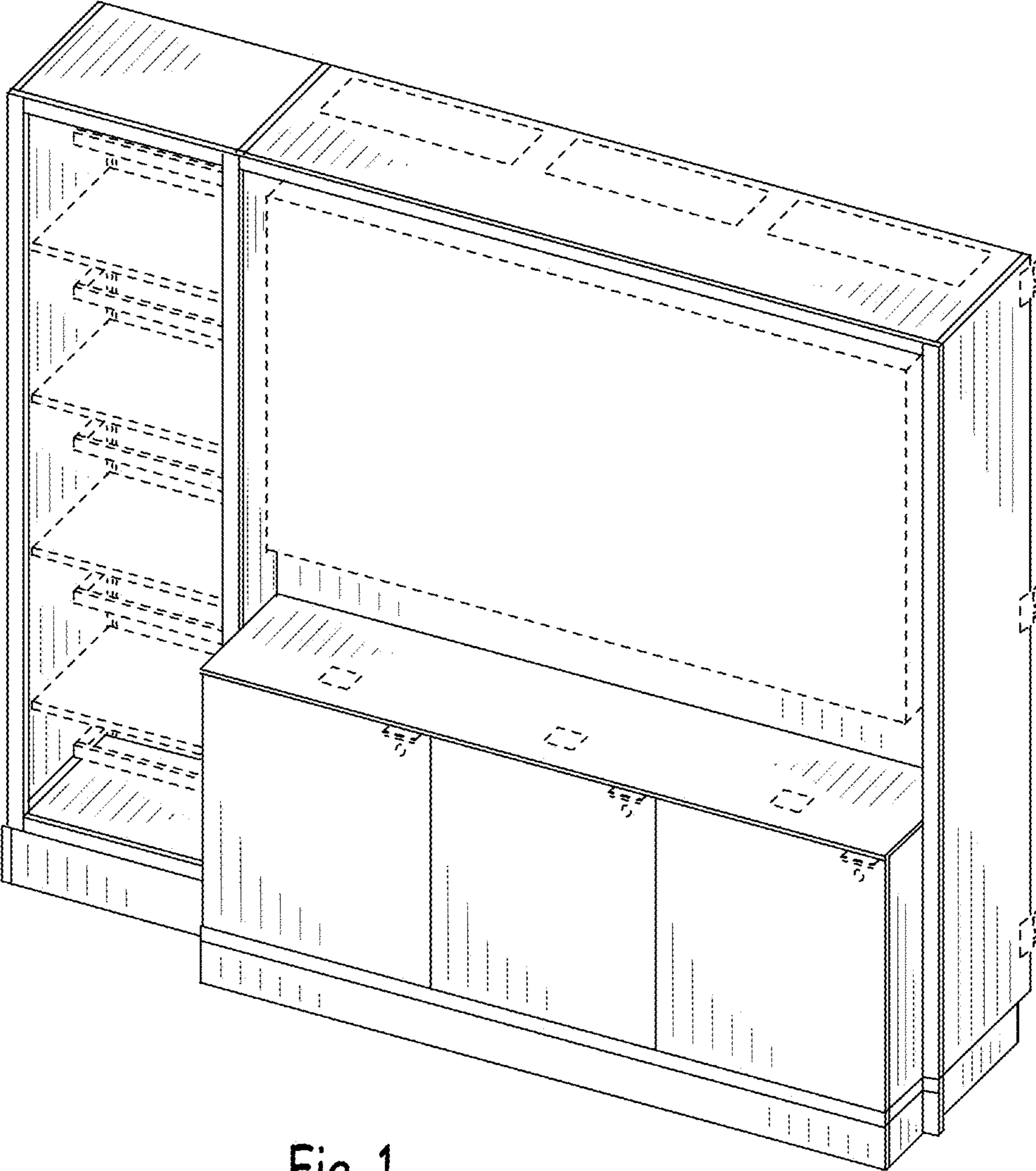


Fig. 1

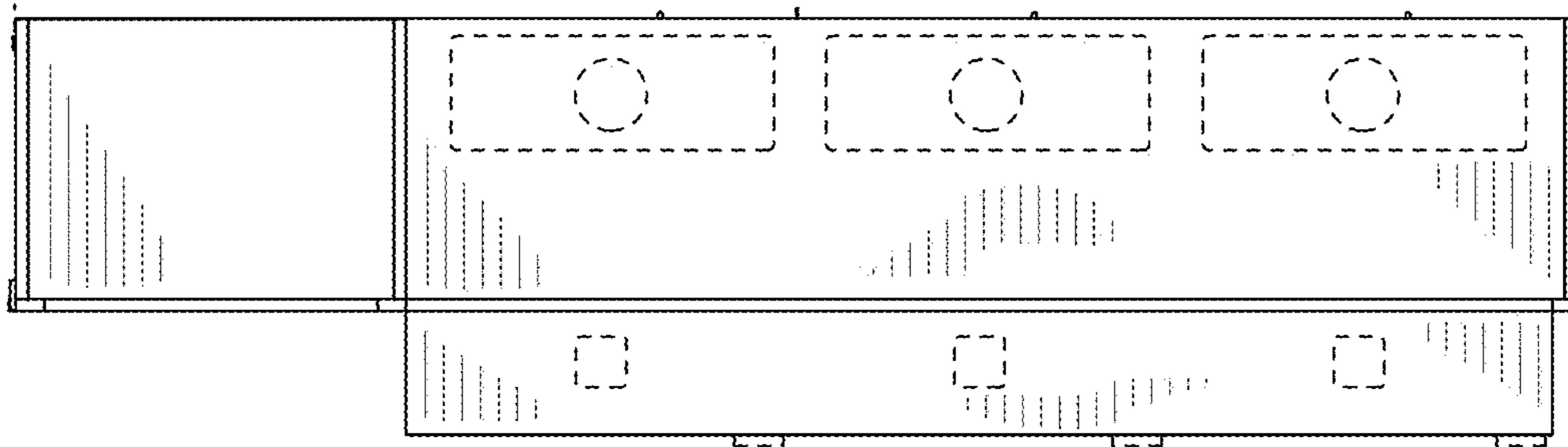


Fig. 2

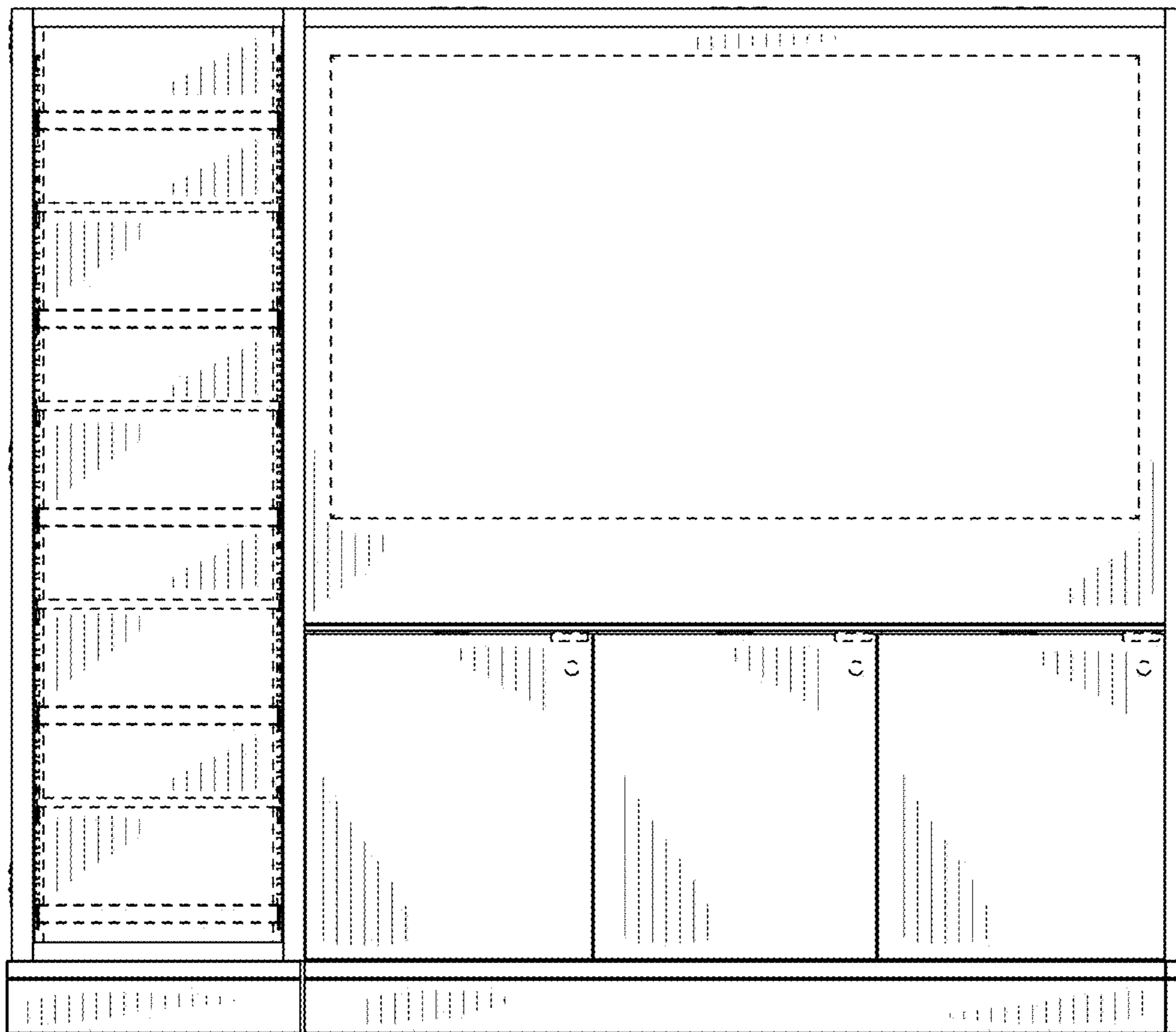


Fig. 3

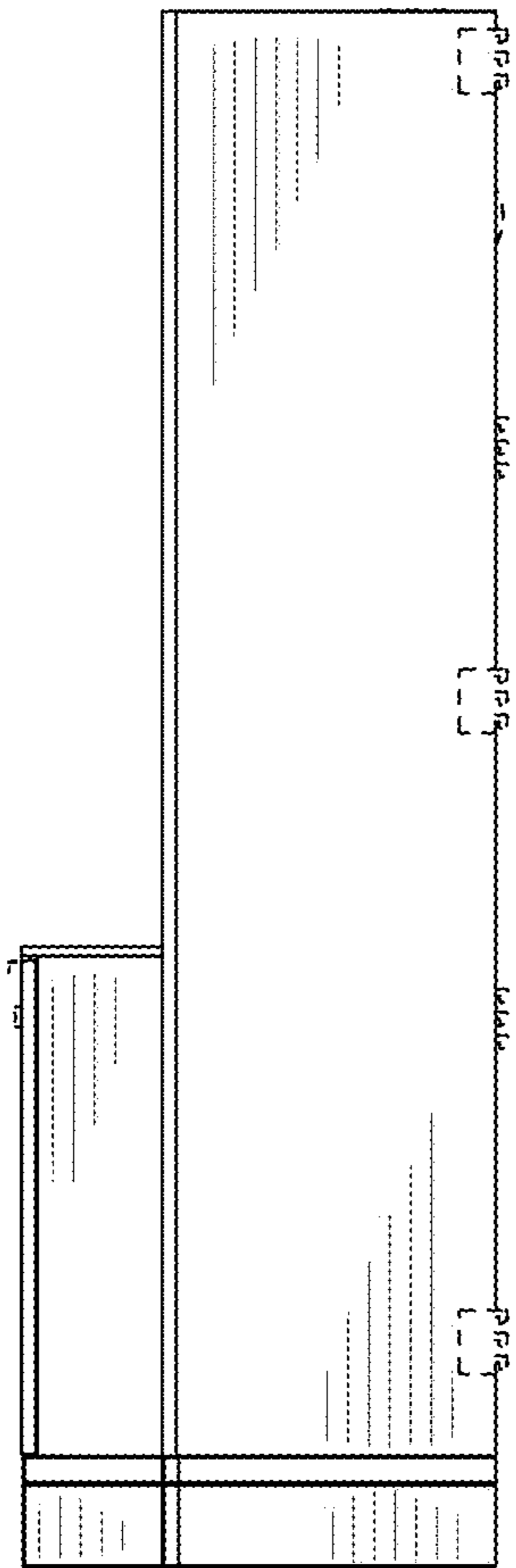


Fig. 4

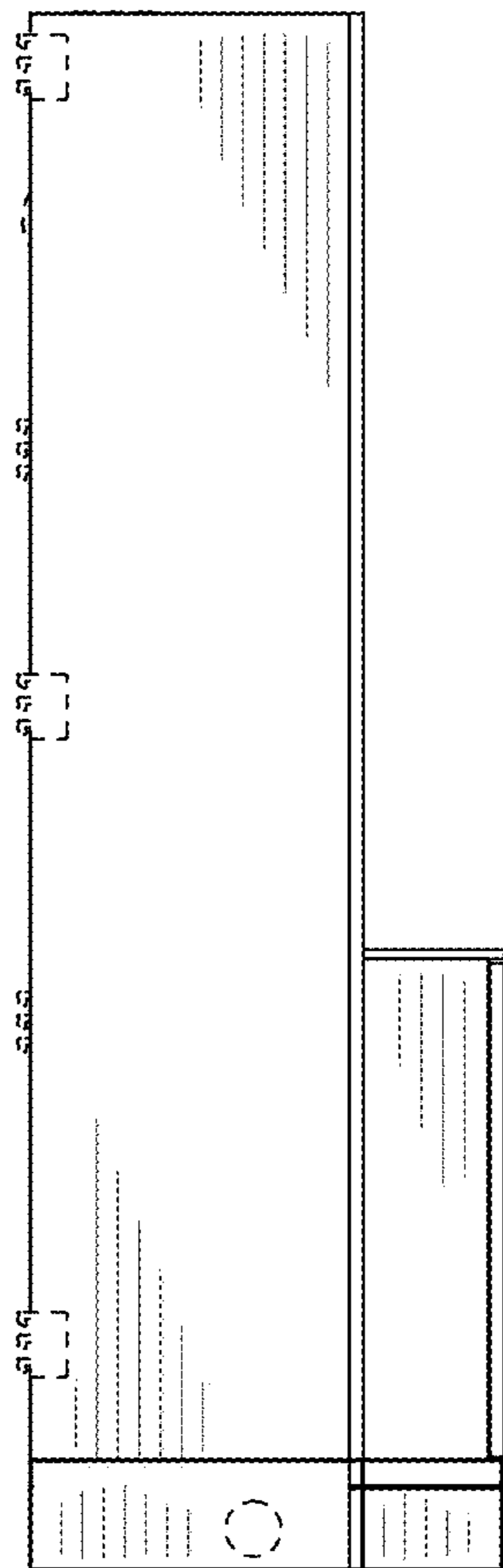


Fig. 5