



US00D927895S

(12) **United States Design Patent**
Hu

(10) **Patent No.:** **US D927,895 S**
(45) **Date of Patent:** **** Aug. 17, 2021**

(54) **GAMING DESK**

(71) Applicant: **Yajun Hu**, El Dorado Hills, CA (US)

(72) Inventor: **Yajun Hu**, El Dorado Hills, CA (US)

(73) Assignees: **Yajun Hu**, El Dorado Hills, CA (US);
EURAKA LLC., El Dorado Hills, CA (US)

(**) Term: **15 Years**

(21) Appl. No.: **29/735,386**

(22) Filed: **May 20, 2020**

(51) **LOC (13) Cl.** **06-03**

(52) **U.S. Cl.**
USPC **D6/656.13**

(58) **Field of Classification Search**
USPC D6/641, 642, 648, 648.1, 650, 650.1,
D6/655, 656, 656.1, 656.11, 656.12,
D6/656.13, 656.14, 656.15, 656.16,
D6/656.17, 656.18, 656.19, 675, 686,
D6/688.14, 688.15, 691, 691.5, 691.1,
D6/691.6, 691.7, 694.2, 697, 705, 705.4,
D6/705.5, 705.7, 706, 707, 707.18,
D6/707.19, 707.22

CPC A47B 1/00; A47B 7/00; A47B 9/10; A47B
9/16; A47B 2009/006; A47B 11/00; A47B
13/00; A47B 13/081; A47B 21/0073;
A47B 21/02; A47B 21/03; A47B
2200/0064; A47B 9/00; A47B 9/02; A47B
9/04; A47B 9/12; A47B 2200/0035; A47B
2200/005; A47B 2200/0056

See application file for complete search history.

(56) **References Cited**

U.S. PATENT DOCUMENTS

5,086,711 A * 2/1992 Matthews A47B 3/02
108/119
D478,225 S 8/2003 Wang

D499,273 S 12/2004 Chang
D499,576 S 12/2004 Long
D526,812 S 8/2006 Chen
D546,588 S * 7/2007 Massaud D6/691
D547,970 S 8/2007 Chou
D549,009 S 8/2007 Lin
D592,892 S * 5/2009 Sexton D6/691
D668,077 S * 10/2012 Edi D6/686
D668,884 S * 10/2012 Jauregui D6/691.6
D726,464 S * 4/2015 Lin D6/709
D743,192 S * 11/2015 Davis D6/691.5
D775,877 S * 1/2017 Lin D6/691

(Continued)

OTHER PUBLICATIONS

It's_Organized Gaming Desk, posted at Amazon.com, posted on Jul. 10, 2020, site visited Apr. 21, 2021. online, available from internet: https://www.amazon.com/Its_Organized-Computer-Workstation-Controller-Headphone/dp/B08CRGNW5G (Year: 2020).*

Primary Examiner — Mary Ann Calabrese
Assistant Examiner — Catherine Ho

(57) **CLAIM**

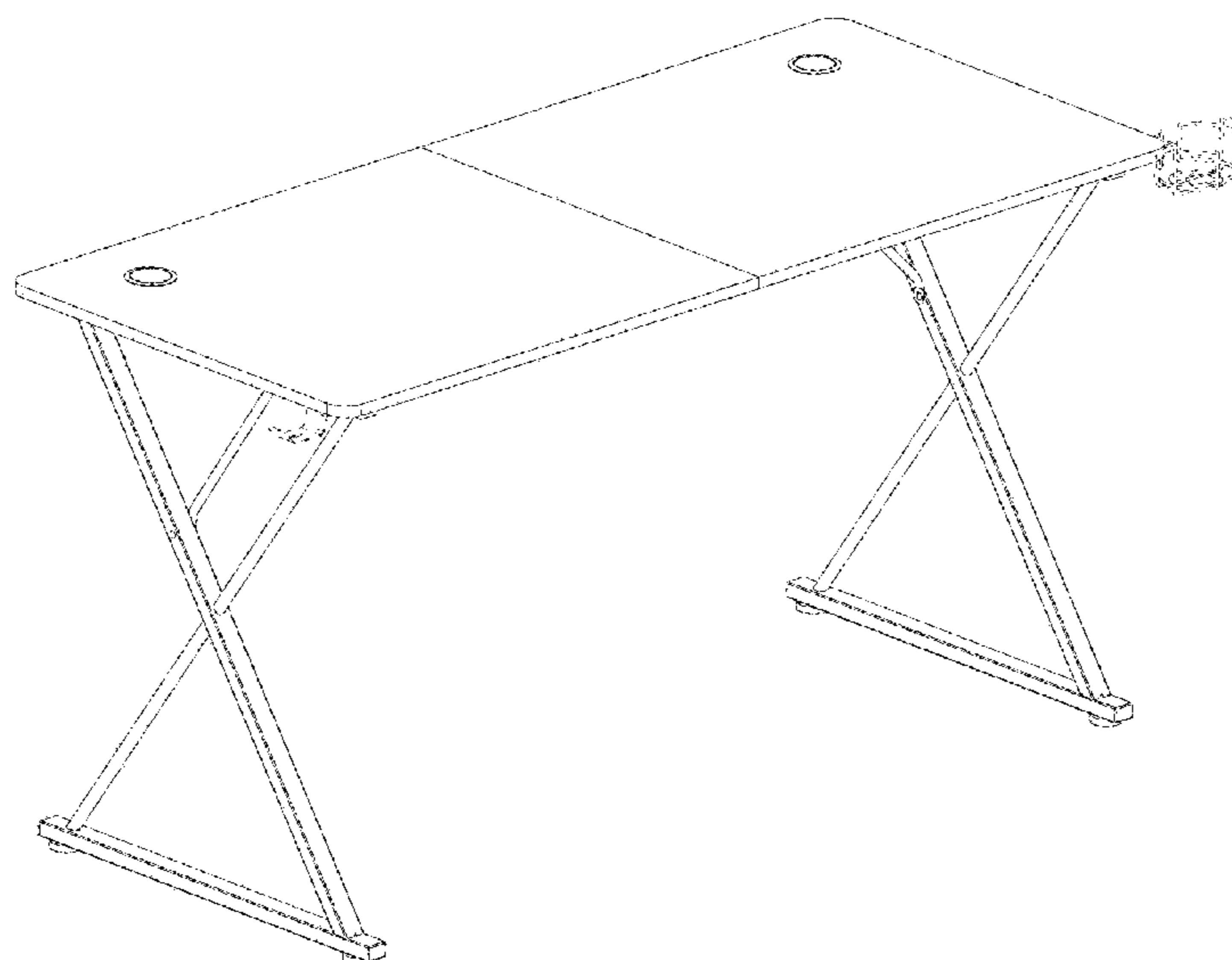
The ornamental design for a gaming desk, as shown and described.

DESCRIPTION

FIG. 1 is a perspective view of a gaming desk, showing my new design;
FIG. 2 is a rear perspective view thereof;
FIG. 3 is a front view thereof;
FIG. 4 is a bottom view thereof;
FIG. 5 is a top view thereof;
FIG. 6 is a rear side view thereof;
FIG. 7 is a left side view thereof; and,
FIG. 8 is a right side view thereof.

The broken line portion of the figure drawings is included to show portions of the article that forms no part of the claimed design.

1 Claim, 8 Drawing Sheets



(56)

References Cited

U.S. PATENT DOCUMENTS

9,591,919 B2 3/2017 Ergun et al.
9,635,932 B2 5/2017 Kelley et al.
D801,265 S * 10/2017 Dahari D13/102
D808,204 S * 1/2018 Davis D6/691
D848,770 S * 5/2019 Davis D6/675.1
D860,632 S * 9/2019 Thomas D3/26
D861,381 S * 10/2019 Hu D6/656.11
10,499,735 B1 * 12/2019 Cooper A47B 83/045
D885,091 S * 5/2020 Davis D6/675.3

* cited by examiner

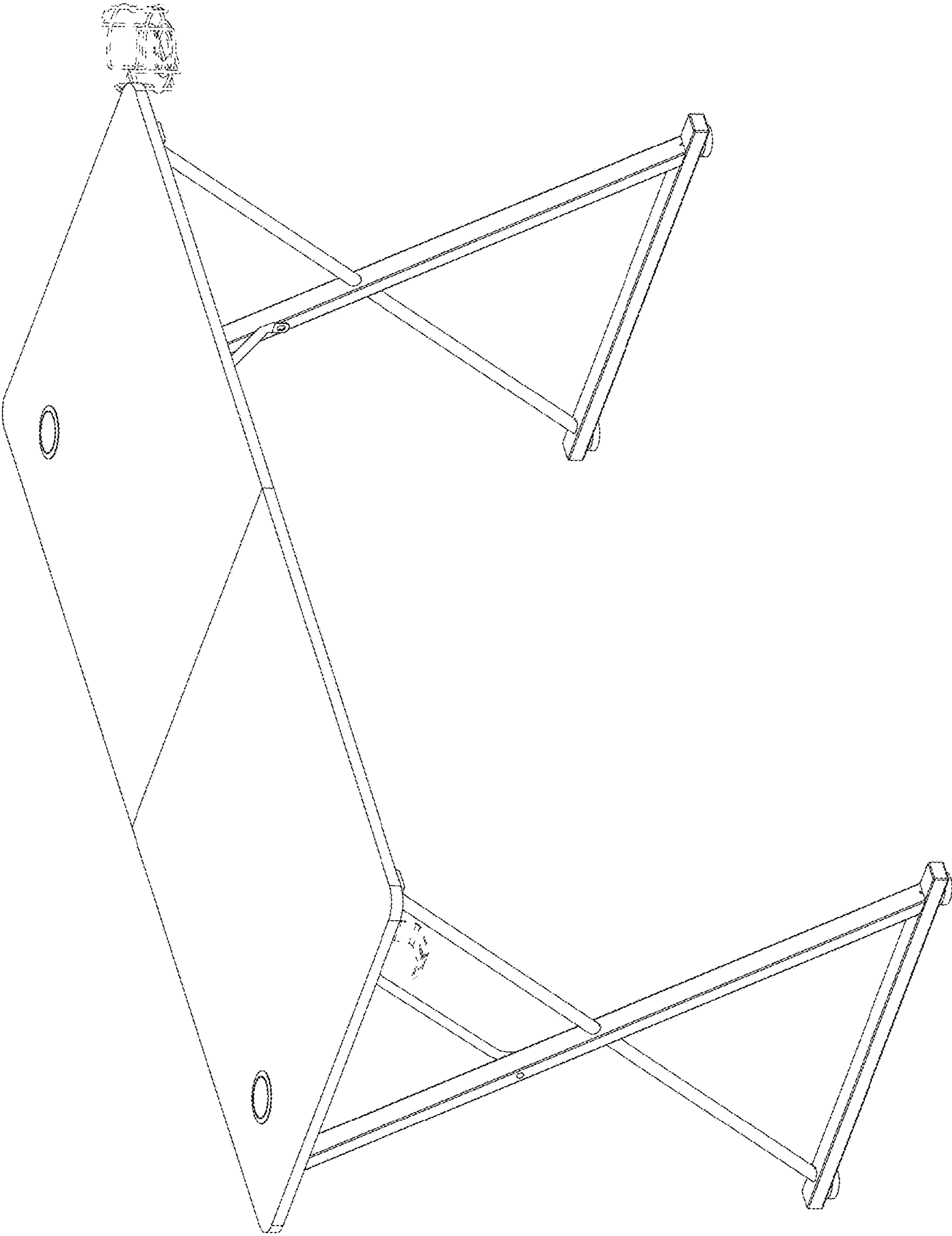


FIG.1

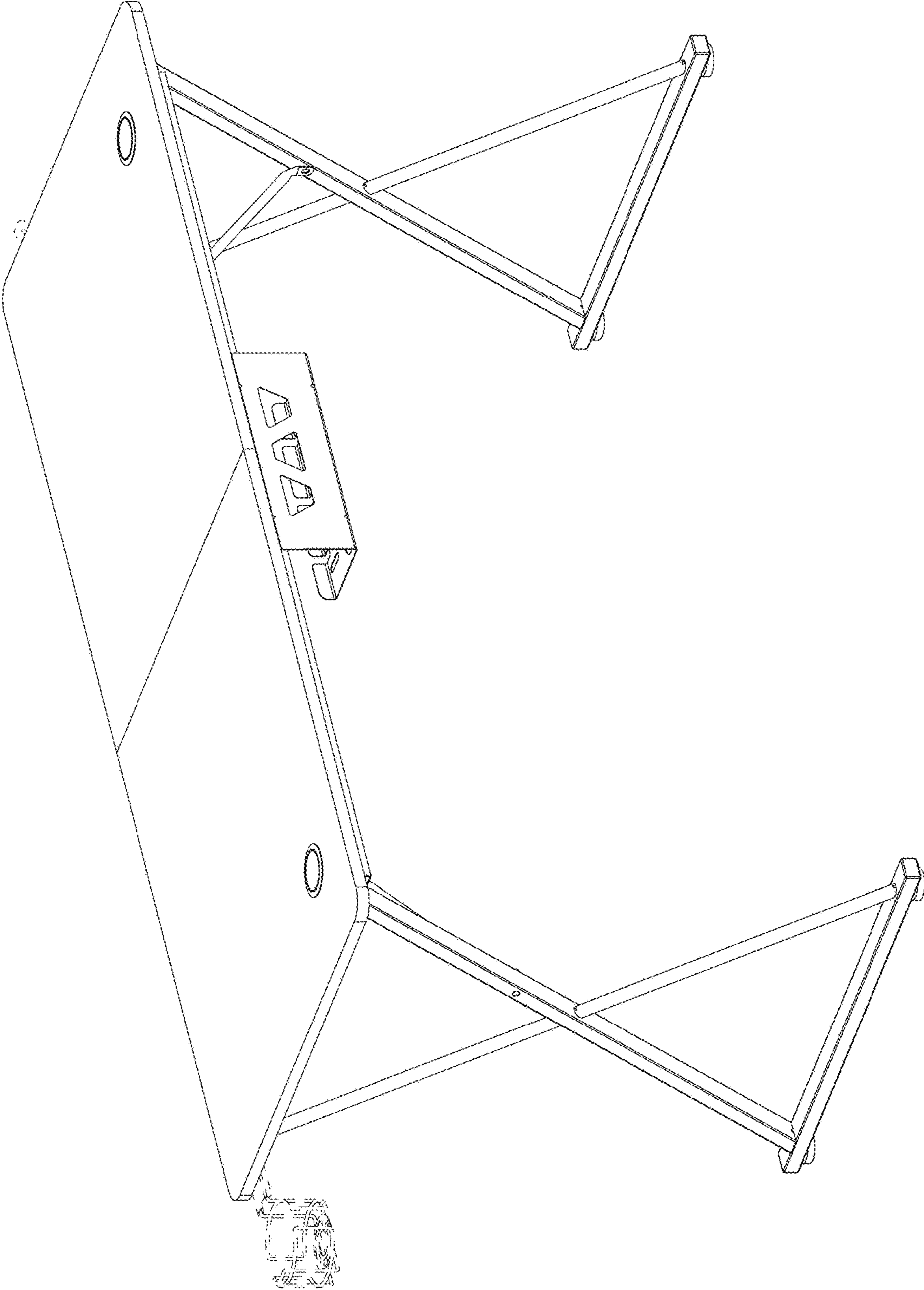


FIG.2

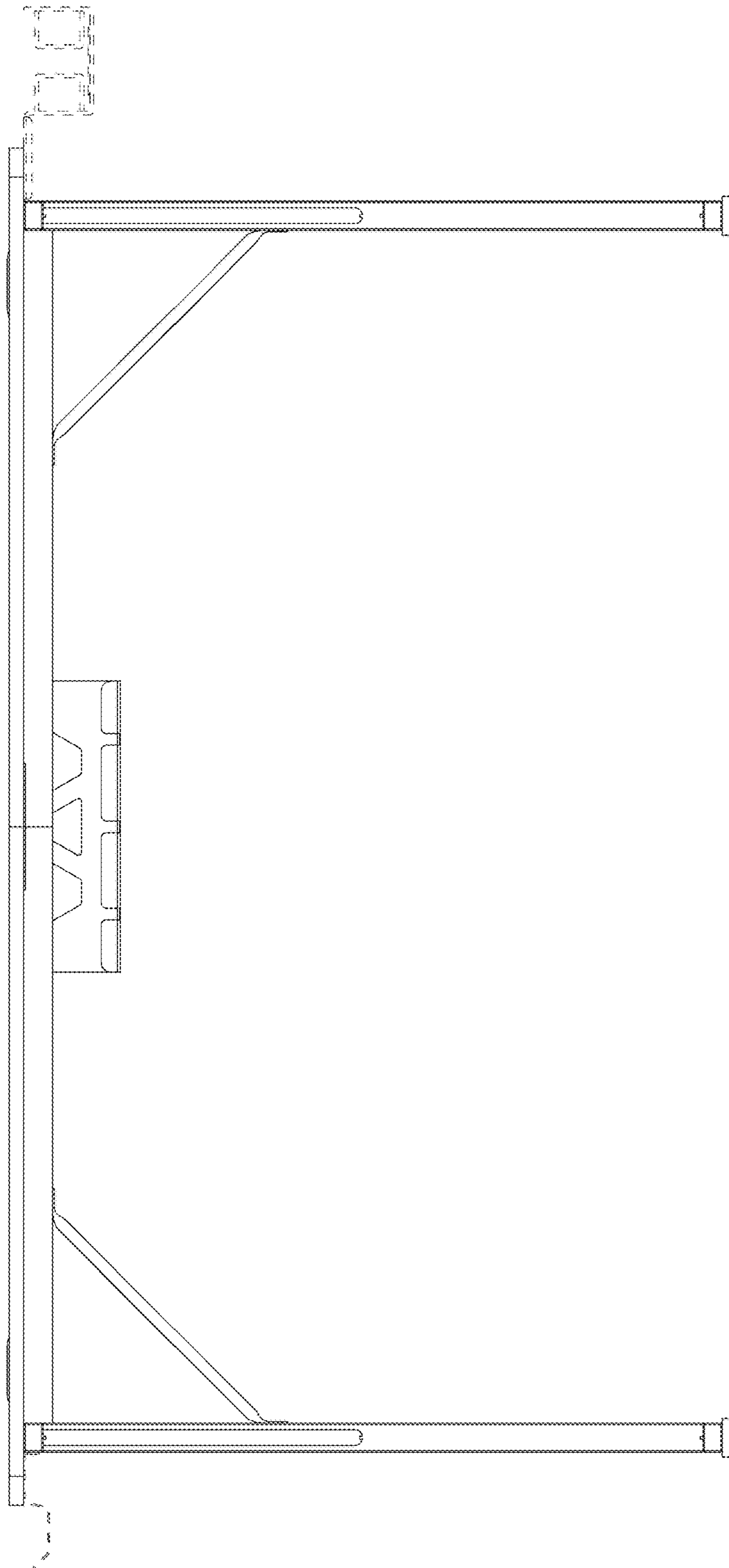


FIG.3

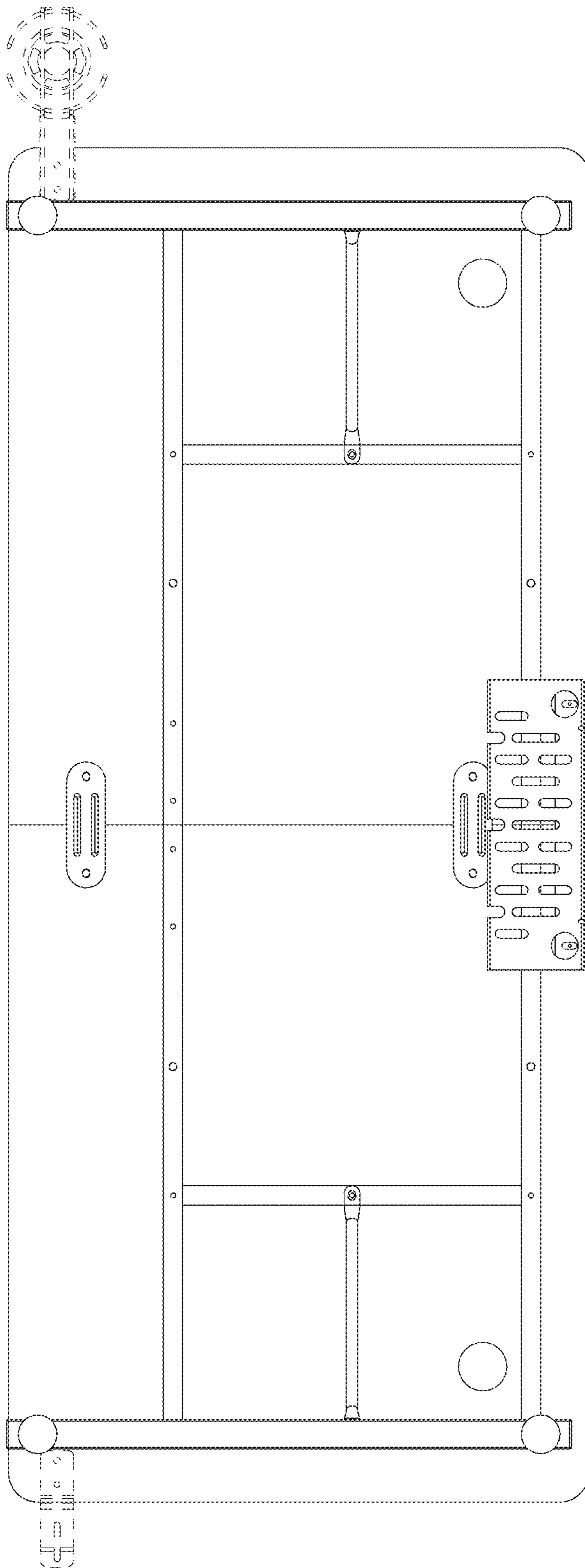


FIG.4



FIG.5

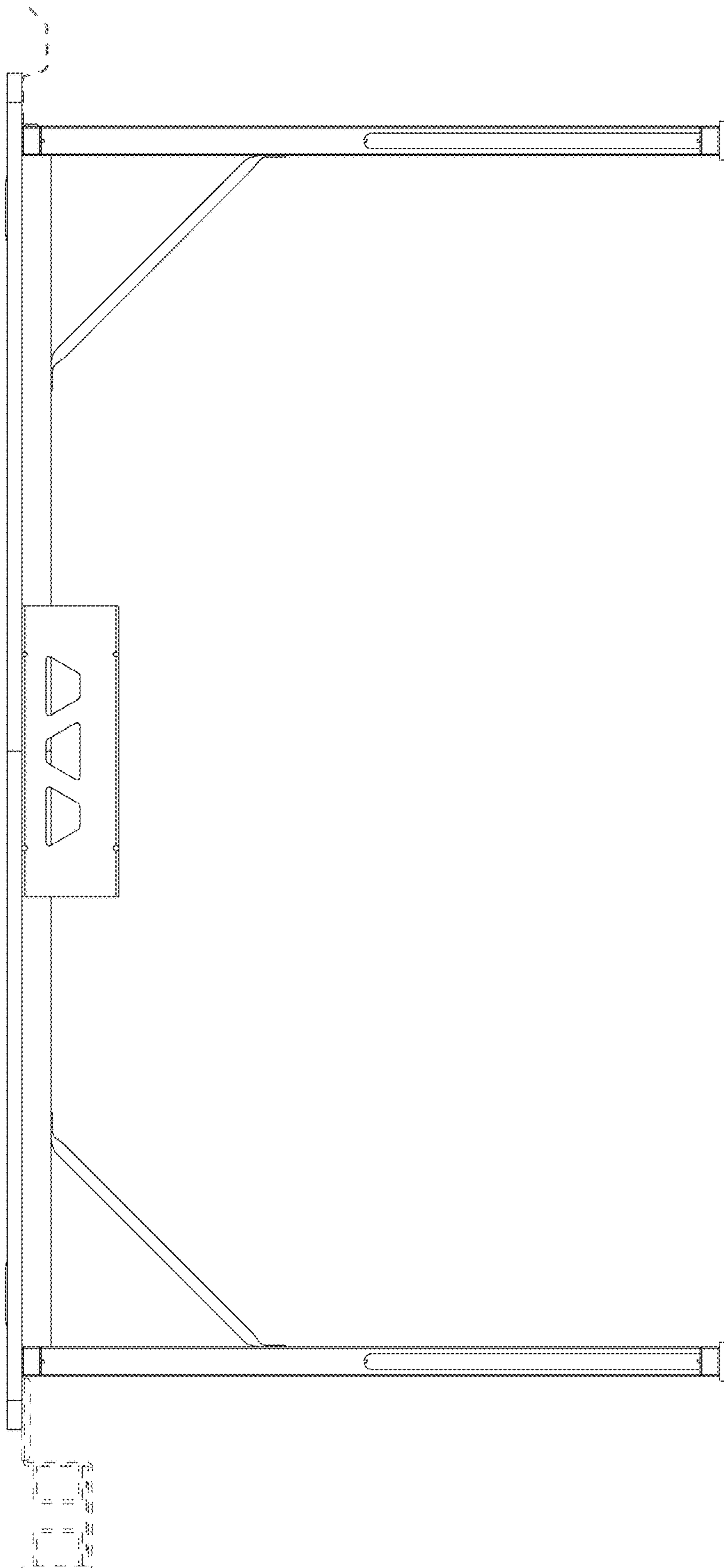


FIG.6

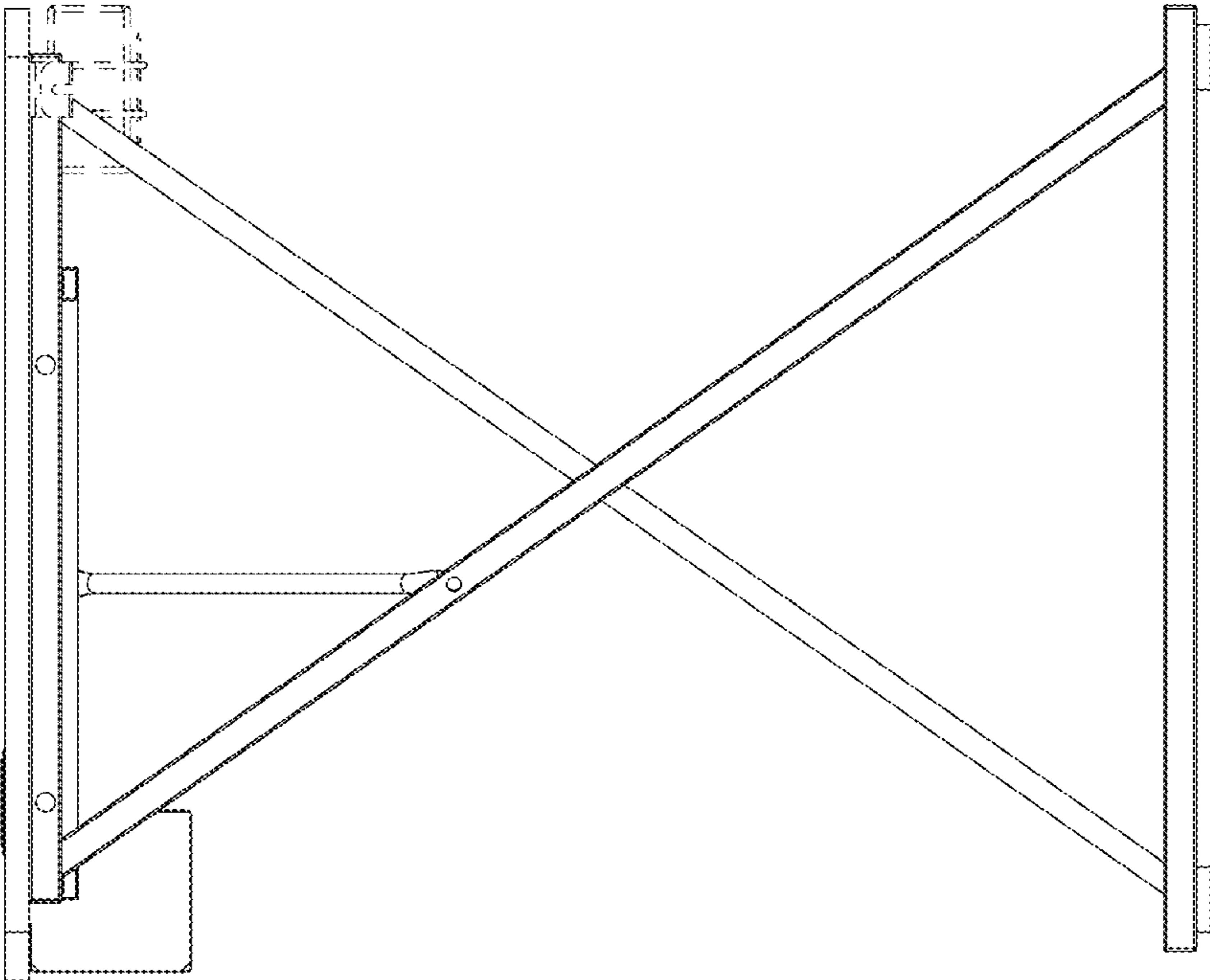


FIG.7

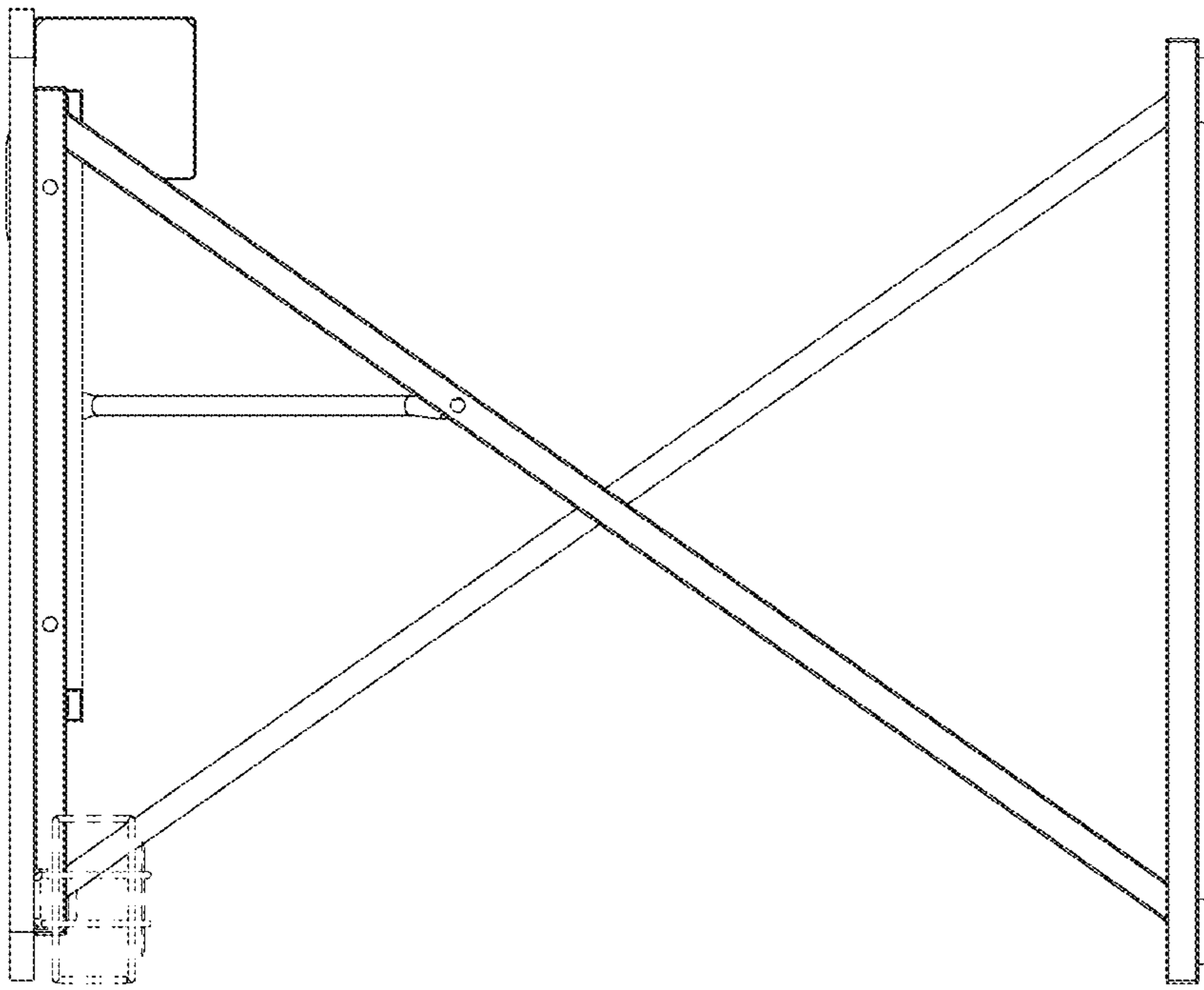


FIG.8