



US00D927894S

(12) **United States Design Patent** (10) **Patent No.:** **US D927,894 S**
Jia (45) **Date of Patent:** **** Aug. 17, 2021**

(54) **FOLDABLE DESK**
(71) Applicant: **SHENZHEN BESTQI INNOVATION TECHNOLOGY CO., LTD**, Shenzhen (CN)
(72) Inventor: **Daqiang Jia**, Shenzhen (CN)
(73) Assignee: **SHENZHEN BESTQI INNOVATION TECHNOLOGY CO., LTD**, Shenzhen (CN)

(**) Term: **15 Years**
(21) Appl. No.: **29/756,491**
(22) Filed: **Oct. 29, 2020**
(51) **LOC (13) Cl.** **06-03**
(52) **U.S. Cl.**
USPC **D6/656**
(58) **Field of Classification Search**
USPC D6/641, 642, 656, 656.1, 656.13, 656.14, 656.16, 656.18, 656.19, 685, 686, 691, 691.6
CPC .. A47B 7/00; A47B 9/00; A47B 13/00; A47B 13/02; A47B 13/04; A47B 13/06; A47B 13/08; A47B 13/10; A47B 13/12; A47B 17/00; A47B 17/003; A47B 17/006; A47B 21/00

See application file for complete search history.

(56) **References Cited**

U.S. PATENT DOCUMENTS

3,128,727 A * 4/1964 Rainwater A47B 3/10 108/129
D220,704 S * 5/1971 Kramer A47B 3/0918 D6/691.8
D228,107 S * 8/1973 Klotz et al. A47B 13/06 D6/691.6
D239,670 S * 4/1976 Varea A47B 3/10 D6/382
D244,114 S * 4/1977 Neff D6/691.8
6,182,578 B1 * 2/2001 Fanuzzi A47B 3/0912 108/132

D616,674 S * 6/2010 Sexton D6/656.18
D815,473 S * 4/2018 Westergard et al.
D845,679 S * 4/2019 Li D6/656
D866,232 S * 11/2019 Davis D6/691.6
10,477,962 B1 * 11/2019 Kourieh A47B 13/06
D884,399 S * 5/2020 Tan
D908,400 S * 1/2021 Wu D6/656
D910,342 S * 2/2021 Li D6/656
2015/0272315 A1 * 10/2015 Mery A47B 3/0918 108/50.02

OTHER PUBLICATIONS

Coavas Folding Desk—Amazon, Date first available—Apr. 3, 2017 [https://www.amazon.com/dp/B06XZV3F8F?ots=1&slotNum=13&imprToken=e8bd0aa6-e578-aa27-a63&ascsubtag=\[st\[p\]cjun3811d00cpl7y6jfccy9z3\[i\]XLokQa\[u\]1\[t\]w\[r\]google.com\[d\]D\[z\]m&tag=thestrategistsite-20](https://www.amazon.com/dp/B06XZV3F8F?ots=1&slotNum=13&imprToken=e8bd0aa6-e578-aa27-a63&ascsubtag=[st[p]cjun3811d00cpl7y6jfccy9z3[i]XLokQa[u]1[t]w[r]google.com[d]D[z]m&tag=thestrategistsite-20) retrieved from the internet on Jun. 16, 2021.*

* cited by examiner

Primary Examiner — Mary Ann Calabrese

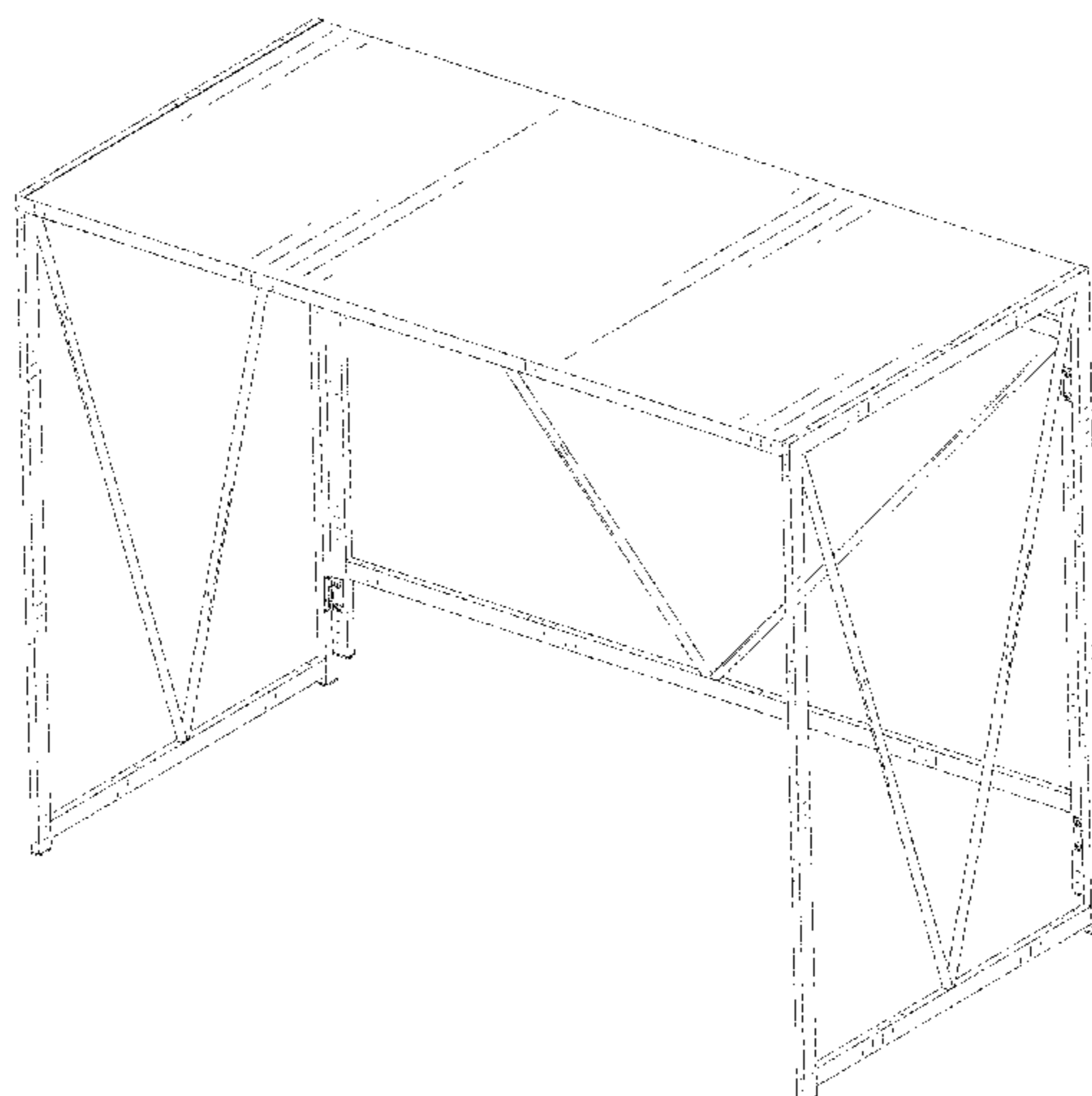
(57) **CLAIM**

The ornamental design for a foldable desk, as shown and described.

DESCRIPTION

FIG. 1 is a top front perspective view of a foldable desk showing my new design;
FIG. 2 is a bottom rear perspective thereof;
FIG. 3 is a front elevational view thereof;
FIG. 4 is a rear elevational view thereof;
FIG. 5 is a left side elevational view thereof;
FIG. 6 is a right side elevational view thereof;
FIG. 7 is a top plan view thereof;
FIG. 8 is a bottom plan view thereof; and,
FIG. 9 is an exploded perspective view of the foldable desk showing the sides in a folded state.
The broken lines in the drawings depict portions of the foldable desk that form no part of the claimed design.

1 Claim, 9 Drawing Sheets



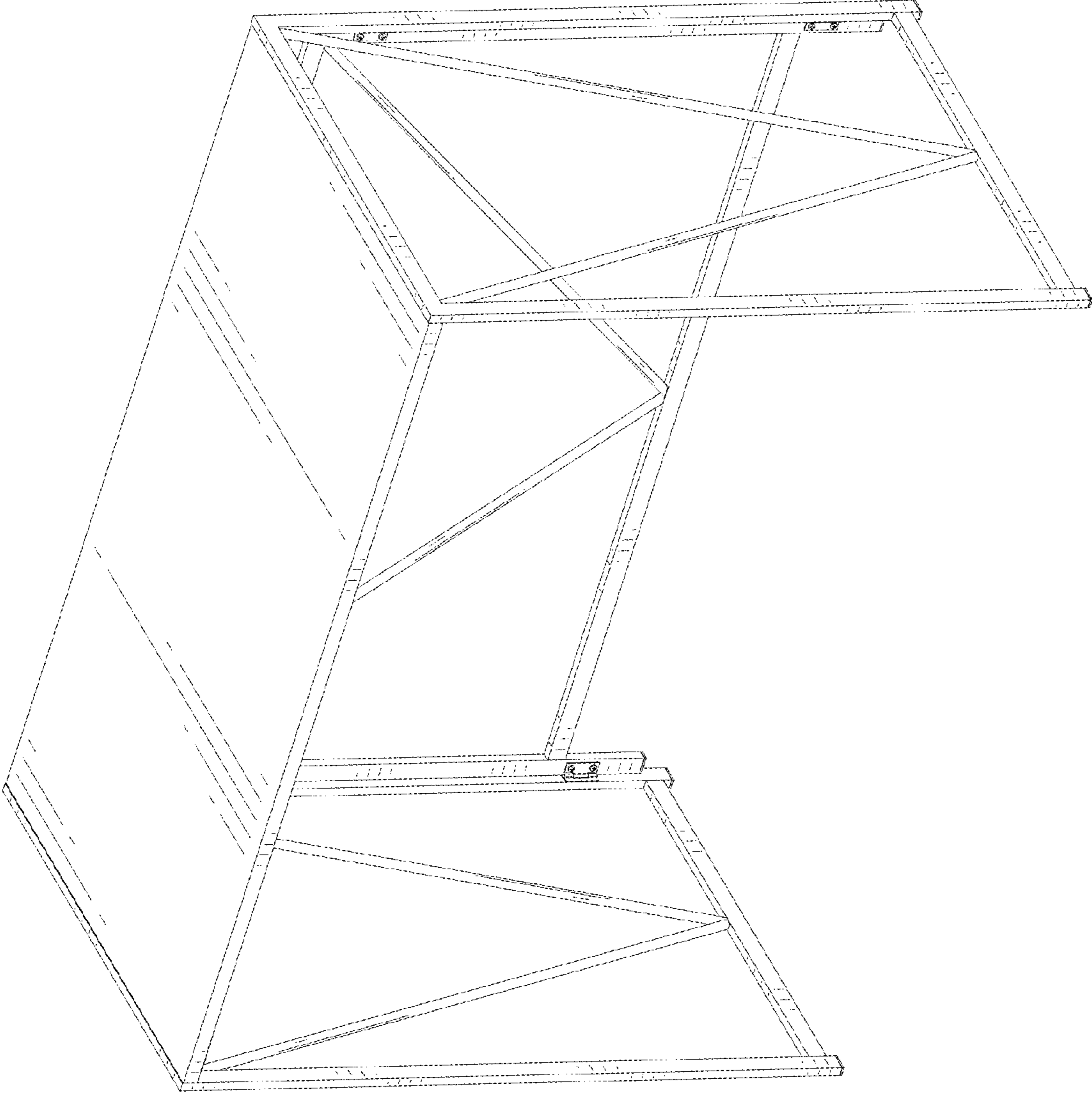


FIG. 1

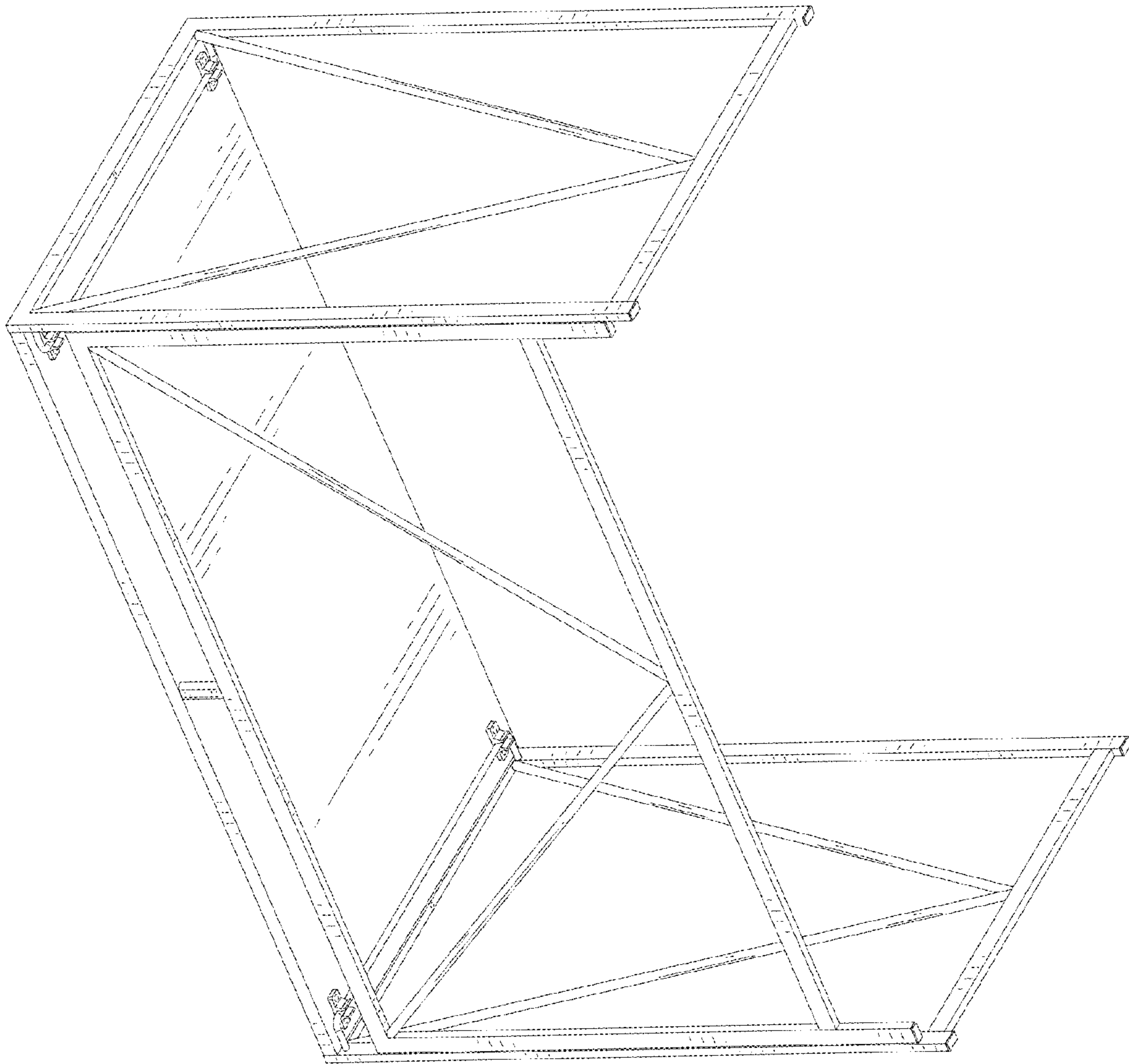


FIG. 2

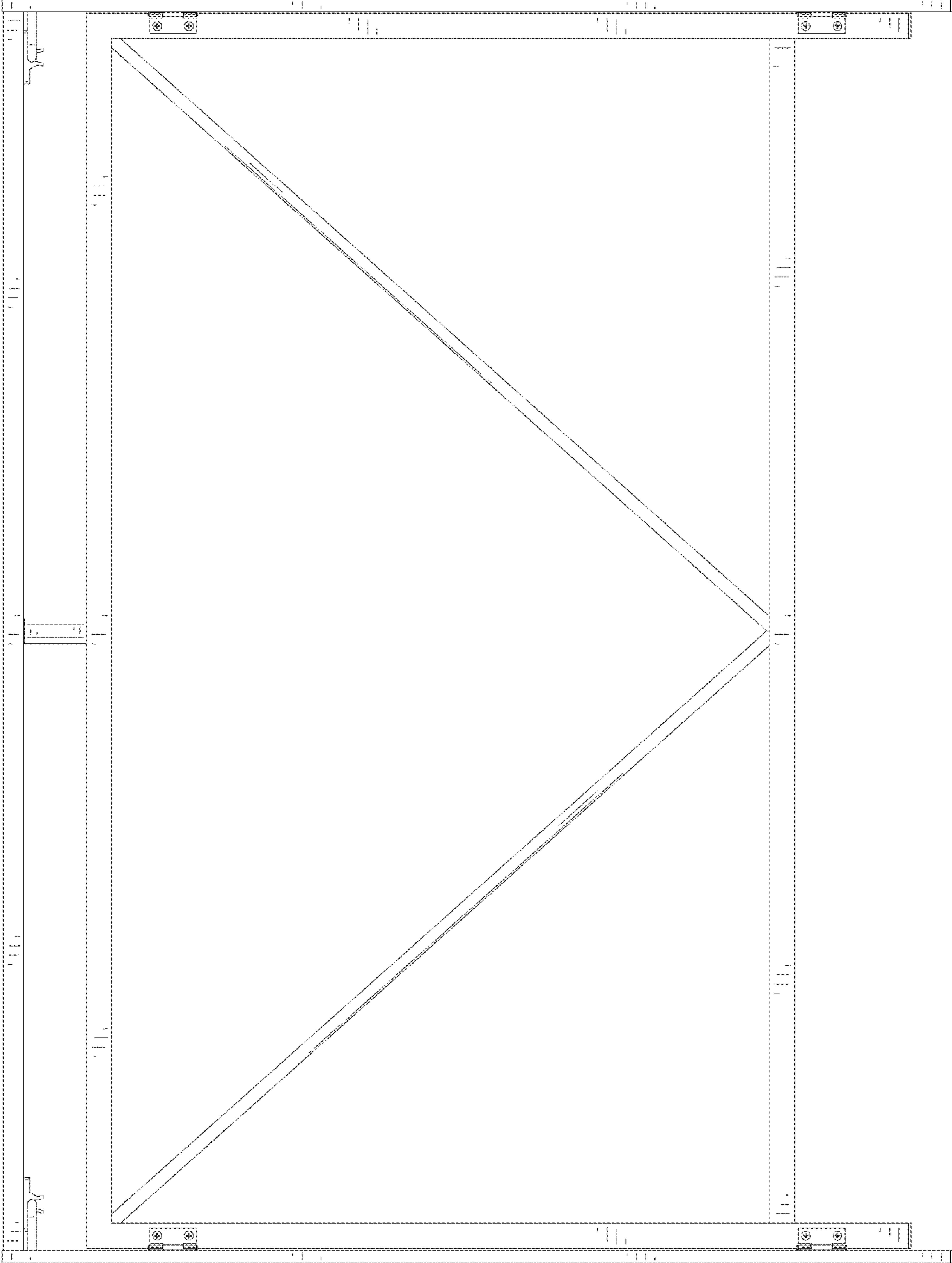


FIG. 3

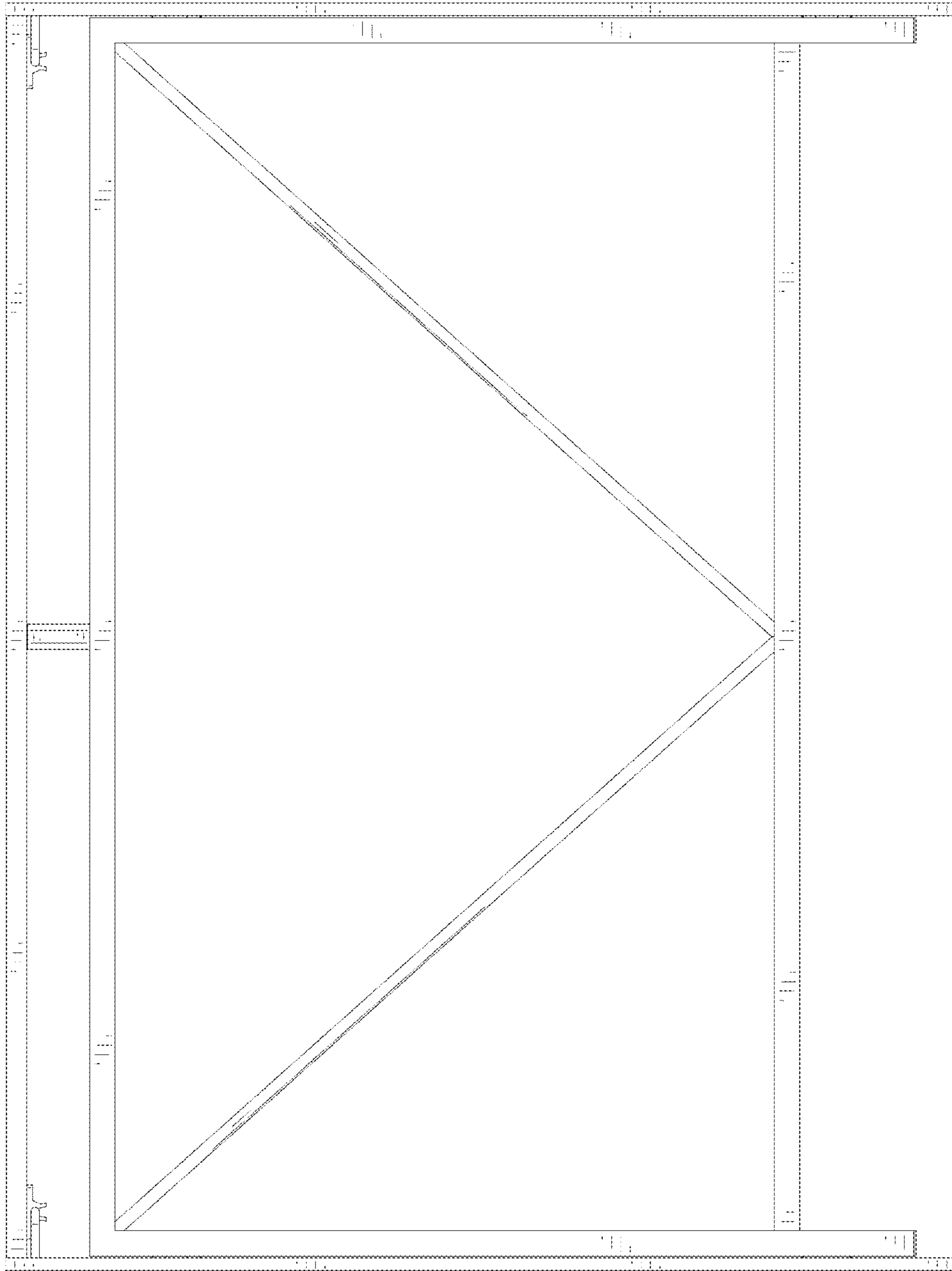


FIG. 4

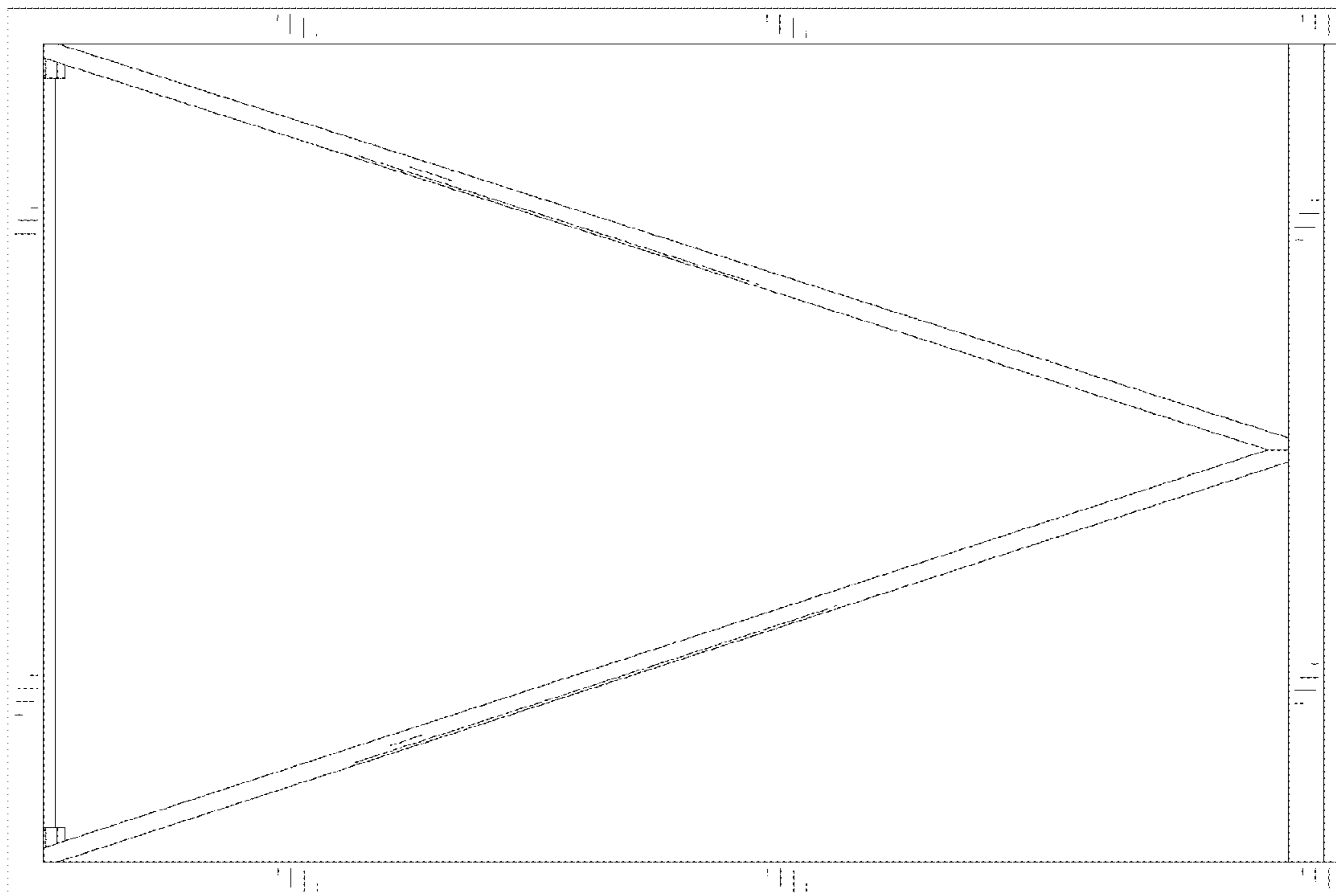


FIG. 5

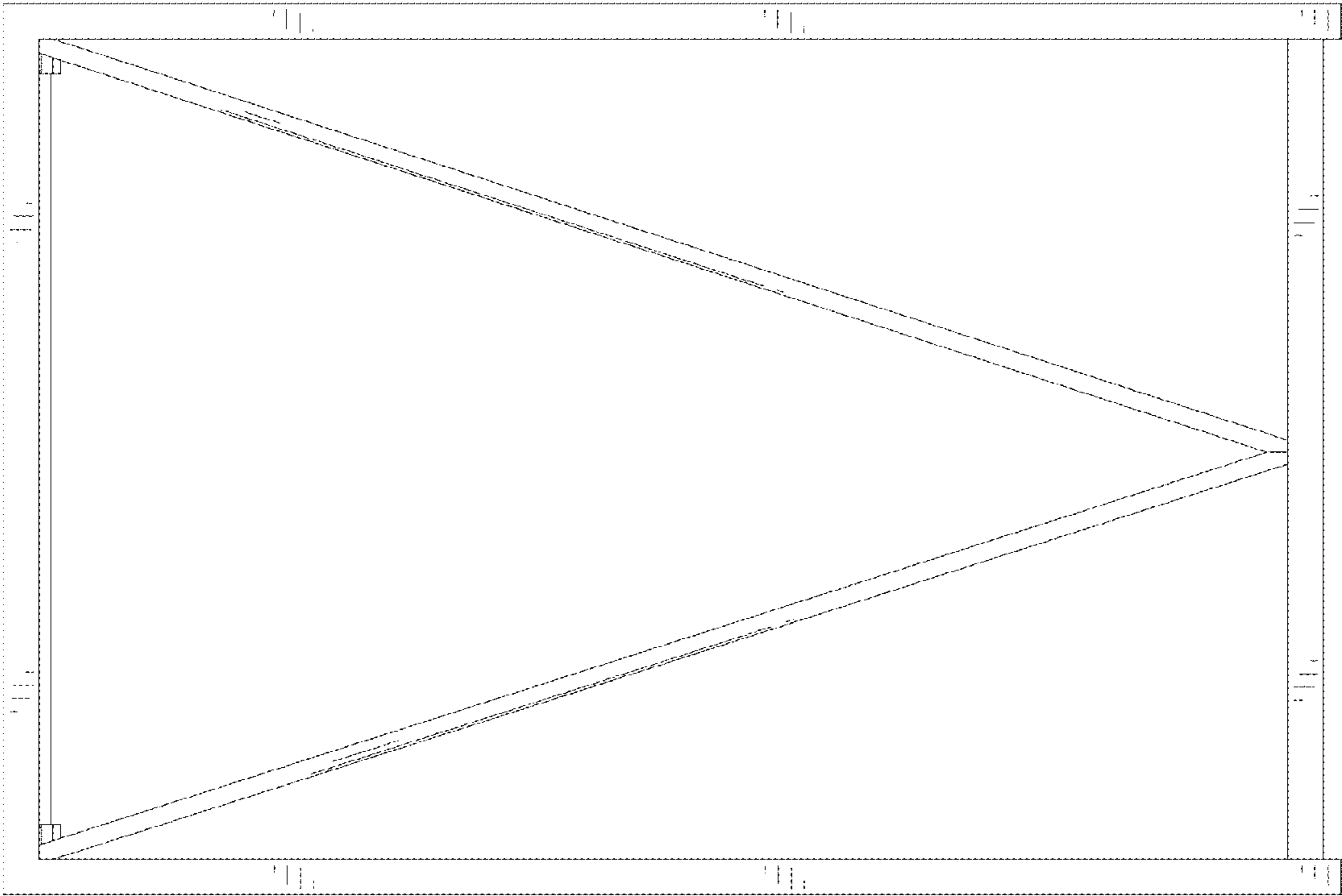


FIG. 6

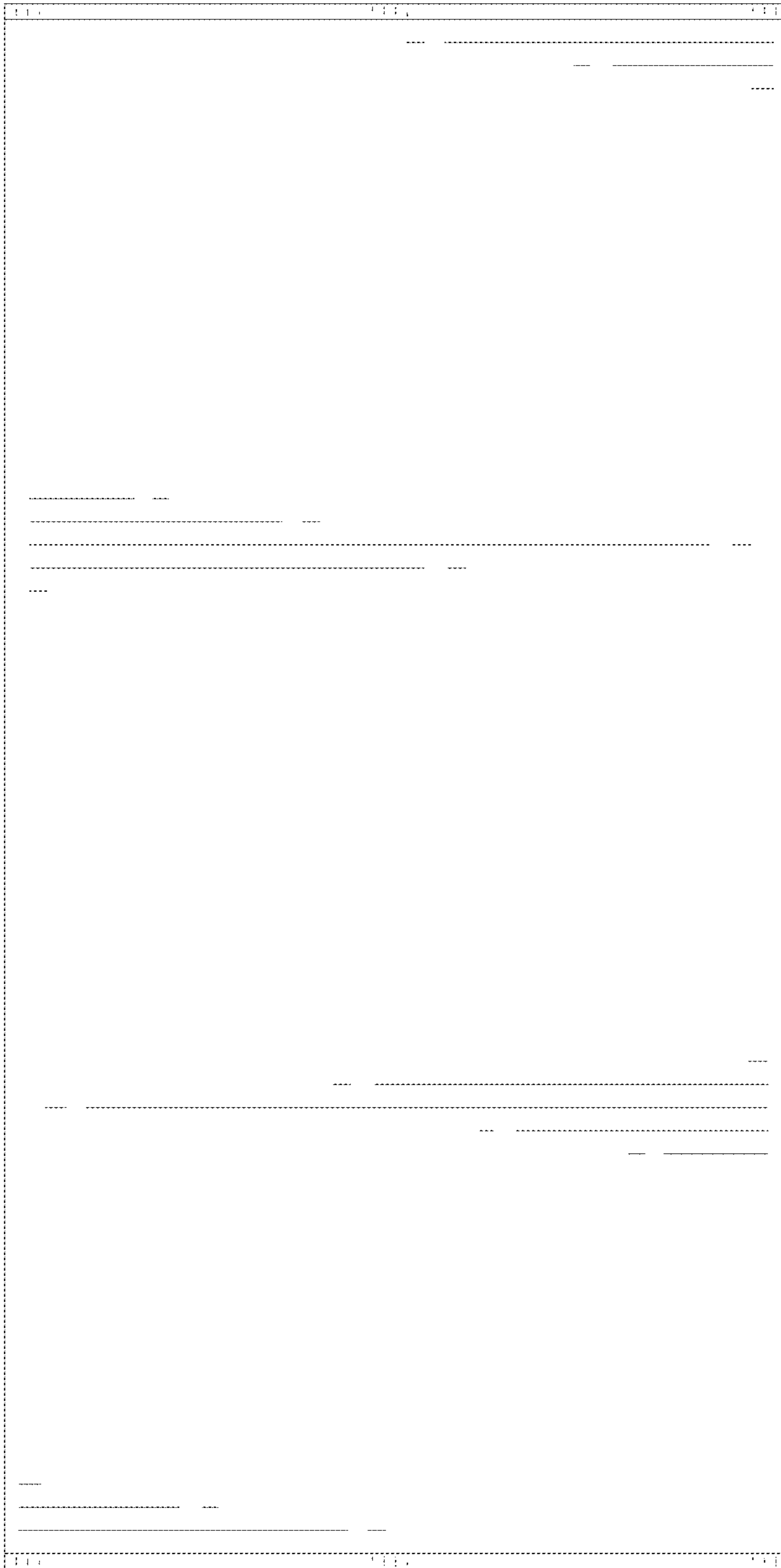


FIG. 7

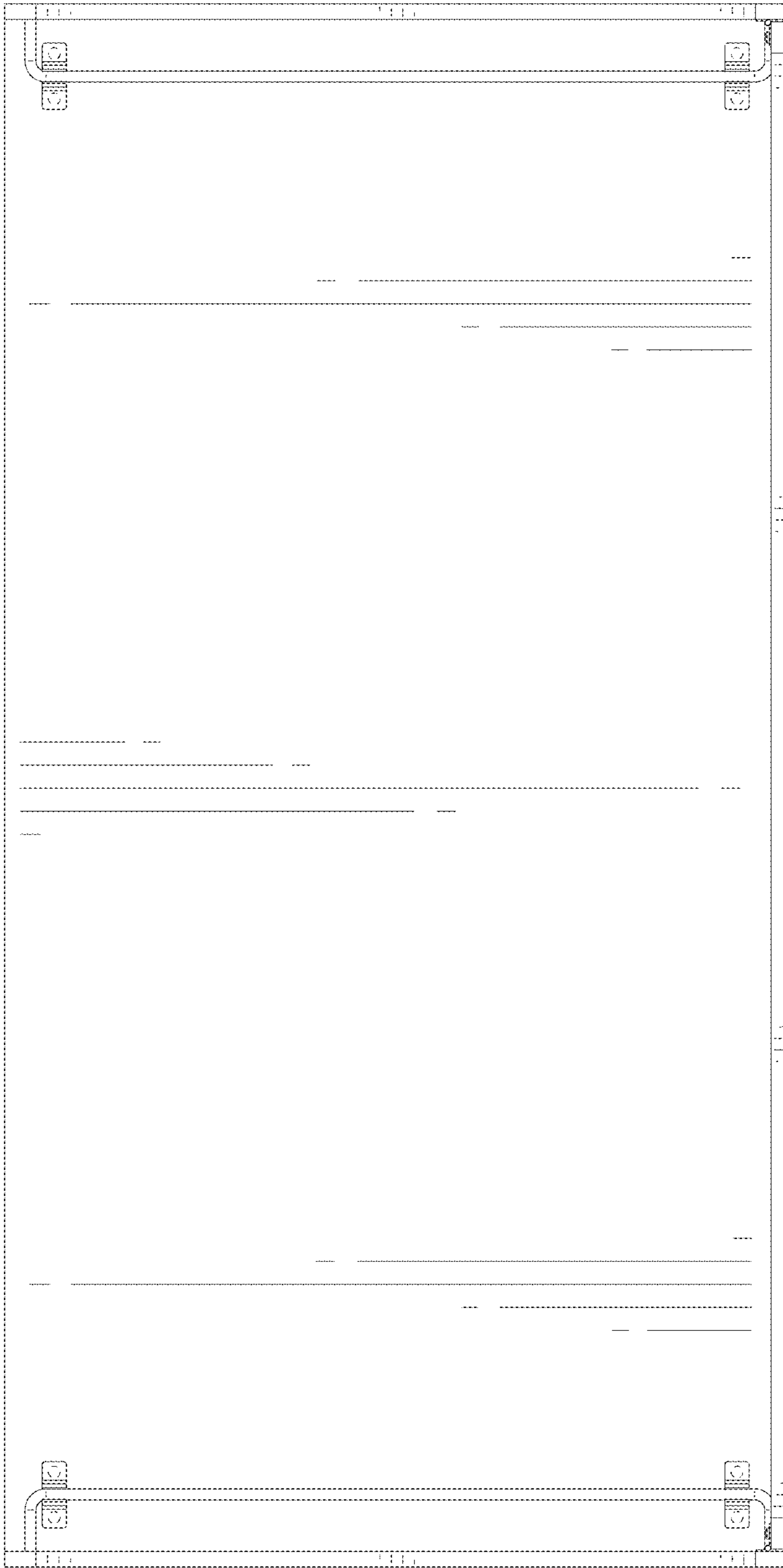


FIG. 8

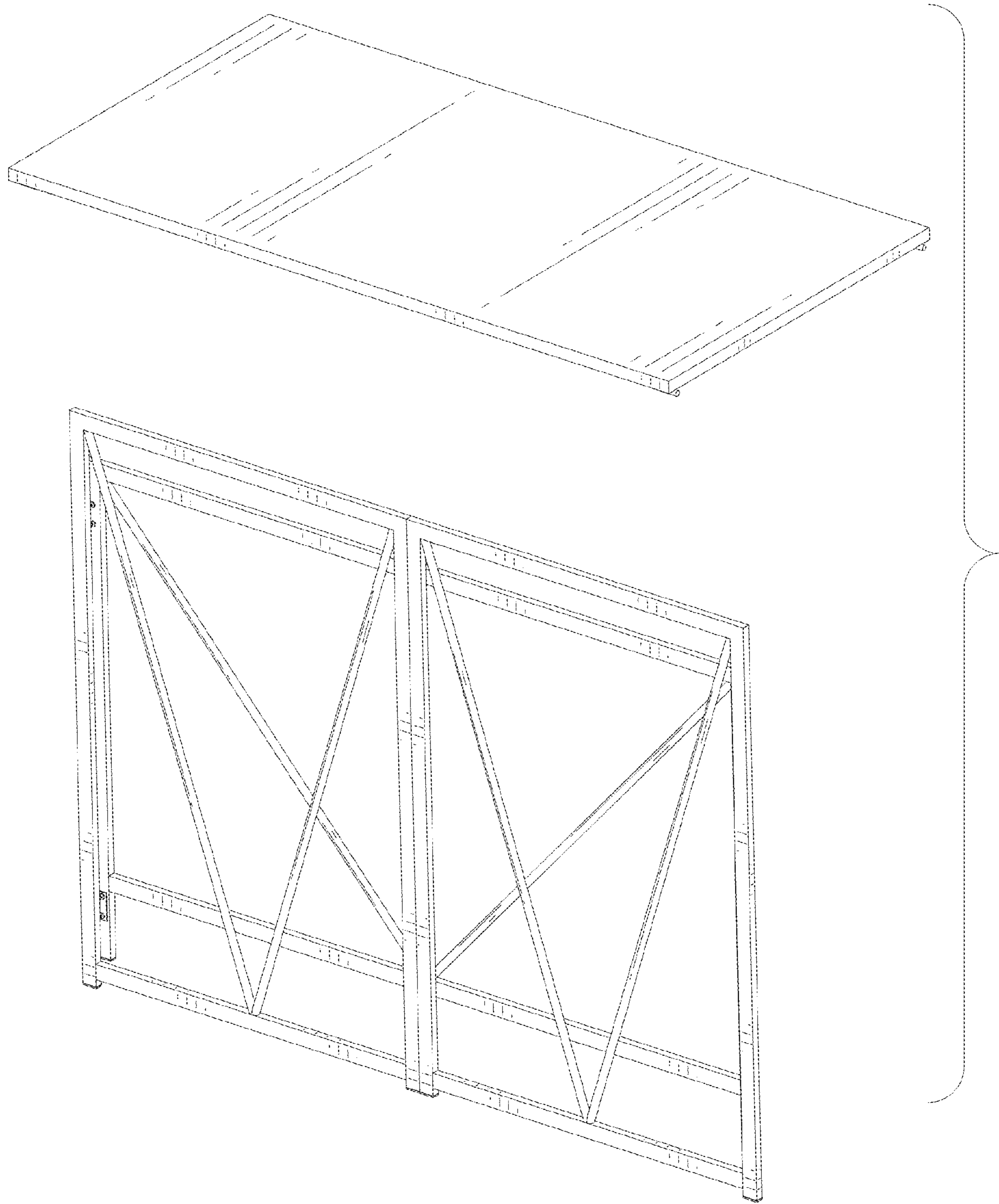


FIG. 9