



US00D927892S

(12) **United States Design Patent** (10) **Patent No.:** **US D927,892 S**  
**McKay** (45) **Date of Patent:** **\*\* \*Aug. 17, 2021**

- (54) **HAIR WRAP TOWEL**
- (71) Applicant: **William Douglas McKay**, Phoenix, AZ (US)
- (72) Inventor: **William Douglas McKay**, Phoenix, AZ (US)
- (73) Assignee: **MYSA Towel, LLC**, Phoenix, AZ (US)
- (\*) Notice: This patent is subject to a terminal disclaimer.
- (\*\*) Term: **15 Years**
- (21) Appl. No.: **29/670,649**
- (22) Filed: **Nov. 19, 2018**
- (51) **LOC (13) Cl.** ..... **06-13**
- (52) **U.S. Cl.**  
USPC ..... **D6/608; D2/880**
- (58) **Field of Classification Search**  
USPC ..... D6/582-583, 587-592, 595-609, D6/617-622; D24/189; D2/880  
CPC ..... A47G 9/06; A47G 9/062; A47G 9/066; A47G 9/068; A47G 9/08; A47G 2009/0276; A47G 9/0284; A47G 9/0292; A47G 9/04; A42B 1/041; A42B 1/04; A45D 20/00  
See application file for complete search history.

- (56) **References Cited**  
U.S. PATENT DOCUMENTS  
1,920,387 A \* 8/1933 Harper ..... A42B 1/12 2/68  
5,365,613 A \* 11/1994 Henegan ..... A42B 1/041 2/171  
D381,790 S \* 8/1997 Harris ..... D2/865  
D412,234 S \* 7/1999 Cox ..... D2/865  
D414,915 S \* 10/1999 Anderson ..... D2/869

- 6,427,251 B1 \* 8/2002 Leach ..... A42B 1/041 2/174
- D486,622 S \* 2/2004 Matsuda ..... D2/867
- D498,345 S \* 11/2004 Maya ..... D2/880
- 7,412,729 B1 \* 8/2008 McGovern ..... A42B 1/041 2/174
- D632,058 S \* 2/2011 Pritchett ..... D2/825
- D641,140 S \* 7/2011 Clarke ..... D2/867
- 9,138,025 B1 \* 9/2015 Lunsford ..... A42B 1/04
- D753,373 S \* 4/2016 Esmer ..... D2/880
- 9,907,381 B2 \* 3/2018 Tussey ..... A42B 1/041
- 10,021,930 B2 \* 7/2018 De Jesu ..... A42B 1/12
- D836,302 S \* 12/2018 Alba ..... D2/867
- 2007/0056079 A1 \* 3/2007 Didier ..... A42B 1/041 2/171
- 2008/0229479 A1 \* 9/2008 Butterly ..... A45D 44/08 2/174

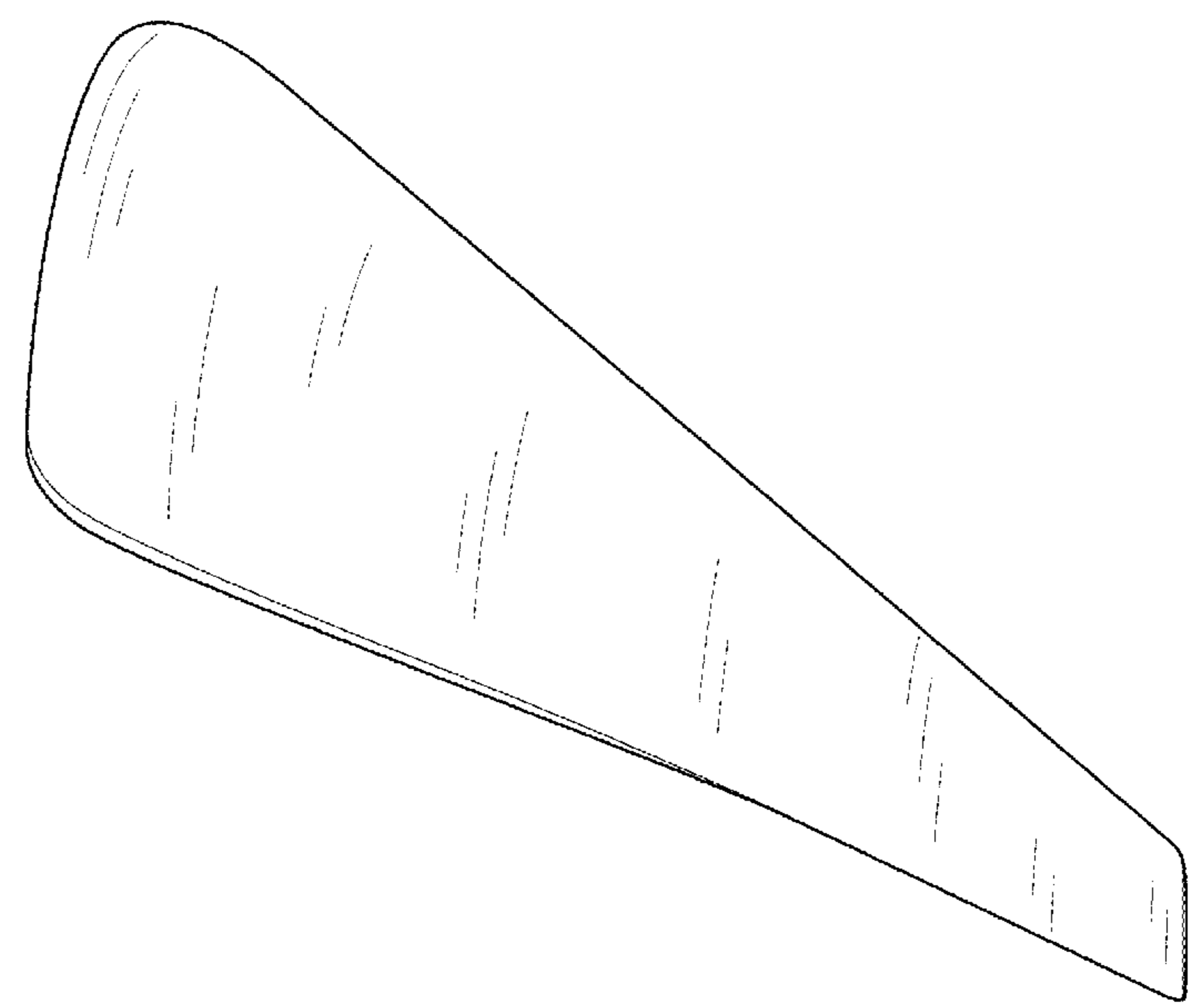
(Continued)

*Primary Examiner* — Jennifer L Rempfer  
(74) *Attorney, Agent, or Firm* — Dinsmore & Shohl LLP

(57) **CLAIM**  
The ornamental design for a hair wrap towel, as shown.

**DESCRIPTION**  
FIG. 1 is a perspective view of a hair wrap towel showing a rear, a top, and a left side view of my new design; FIG. 2 is a perspective view of the hair wrap towel showing a front, a bottom, and a right side view of my new design; FIG. 3 is the rear view thereof; FIG. 4 is the front side view thereof; FIG. 5 is the right side view thereof, the left side is not shown and is a mirror configuration of the right side view; FIG. 6 is the bottom view thereof; FIG. 7 is the top view thereof; and FIG. 8 is a front perspective view of the hair wrap towel in a general environmental setting of use; and, FIG. 9 is a rear perspective view of the hair wrap towel in a general environmental setting of use.  
The broken lines form no part of the claimed design.

**1 Claim, 4 Drawing Sheets**



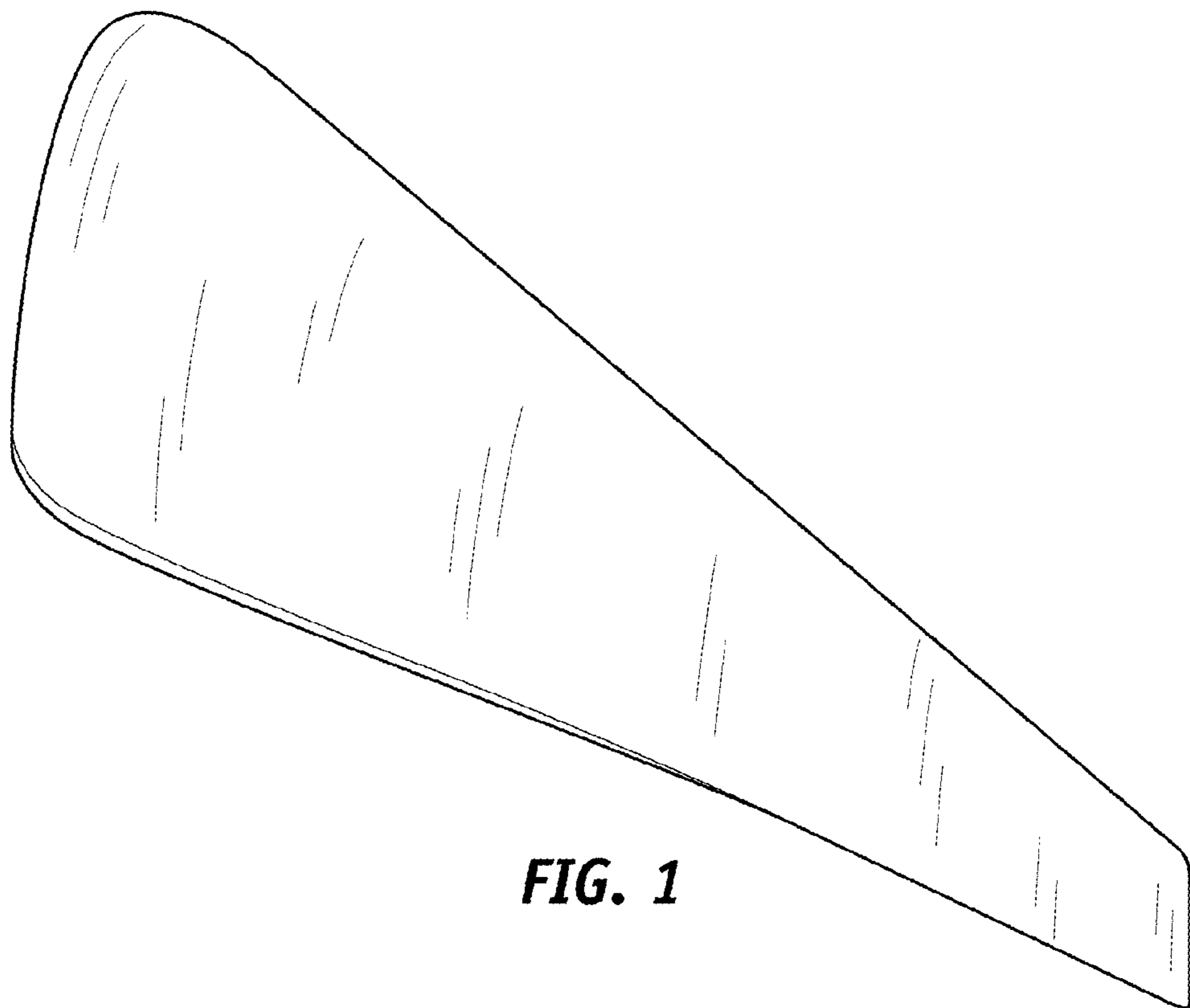
(56)

**References Cited**

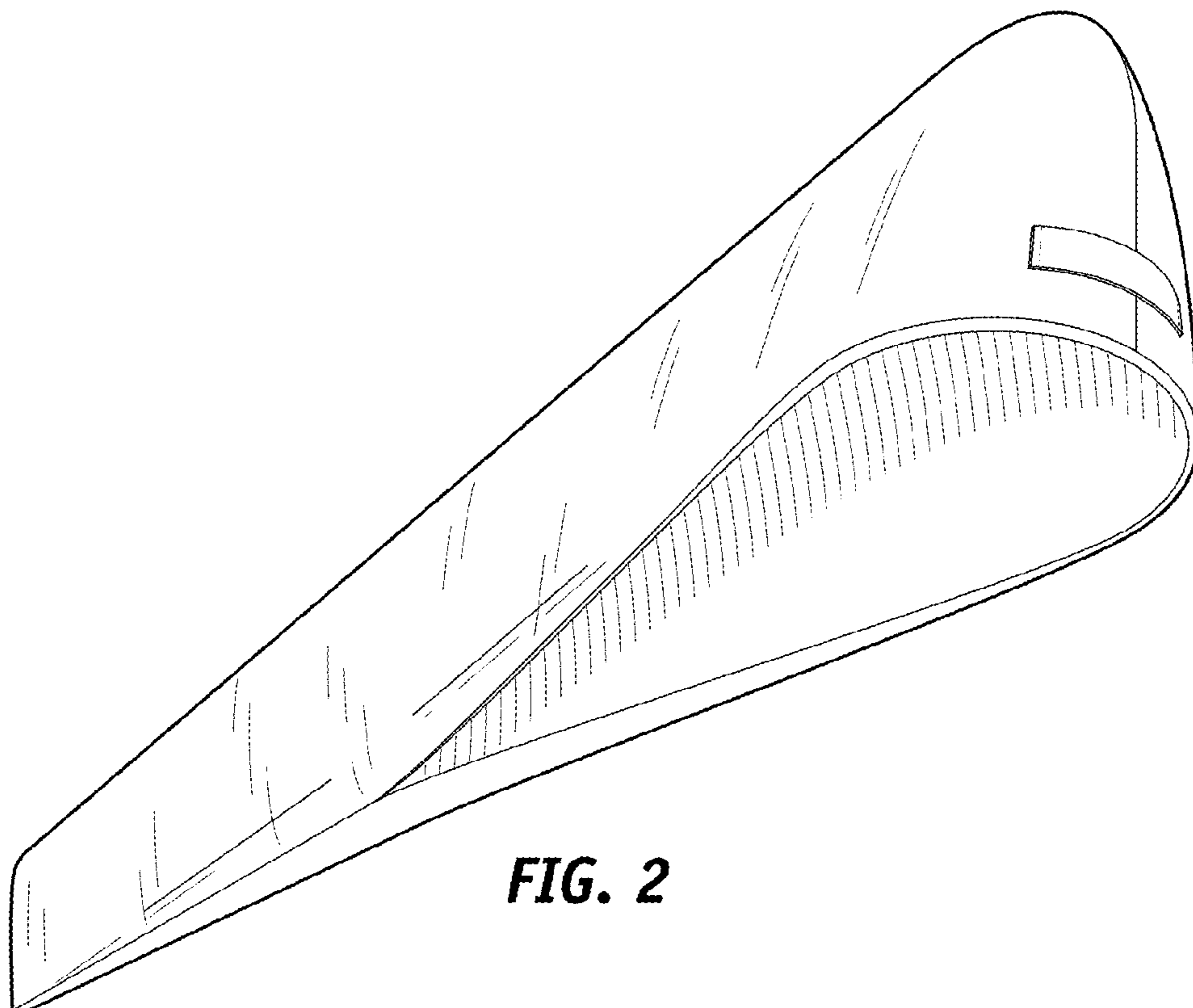
U.S. PATENT DOCUMENTS

2009/0151048 A1\* 6/2009 Laury ..... A45D 44/00  
2/202  
2012/0079643 A1\* 4/2012 Clarke ..... A42B 1/041  
2/171  
2015/0335087 A1\* 11/2015 Martin ..... A45D 20/00  
2/174  
2017/0042268 A1\* 2/2017 Lessard ..... A47K 10/02  
2017/0105504 A1\* 4/2017 Oishi ..... A45D 19/16  
2018/0235411 A1\* 8/2018 Guerra-Sievers ..... A42B 1/00

\* cited by examiner



**FIG. 1**



**FIG. 2**

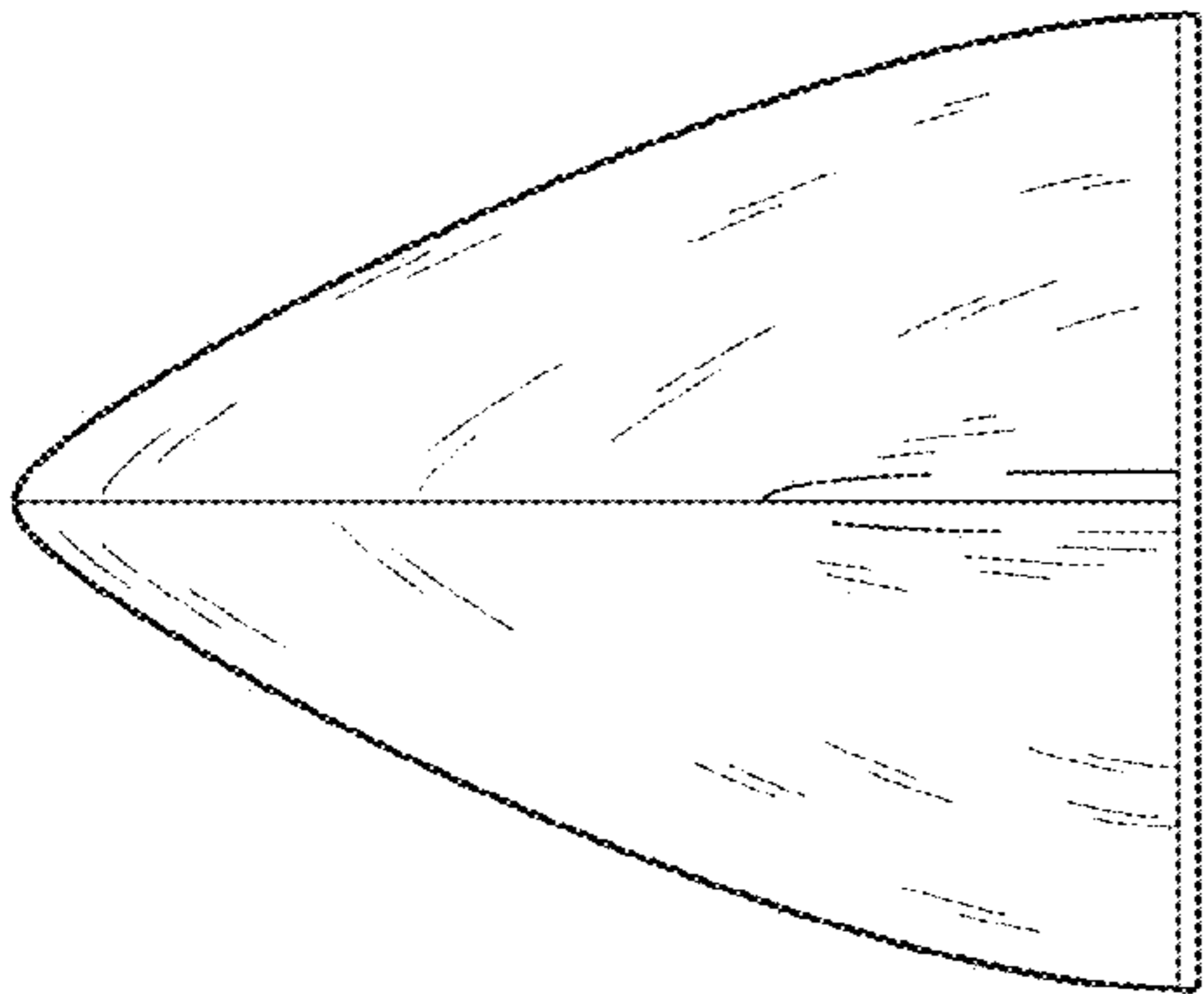


FIG. 3

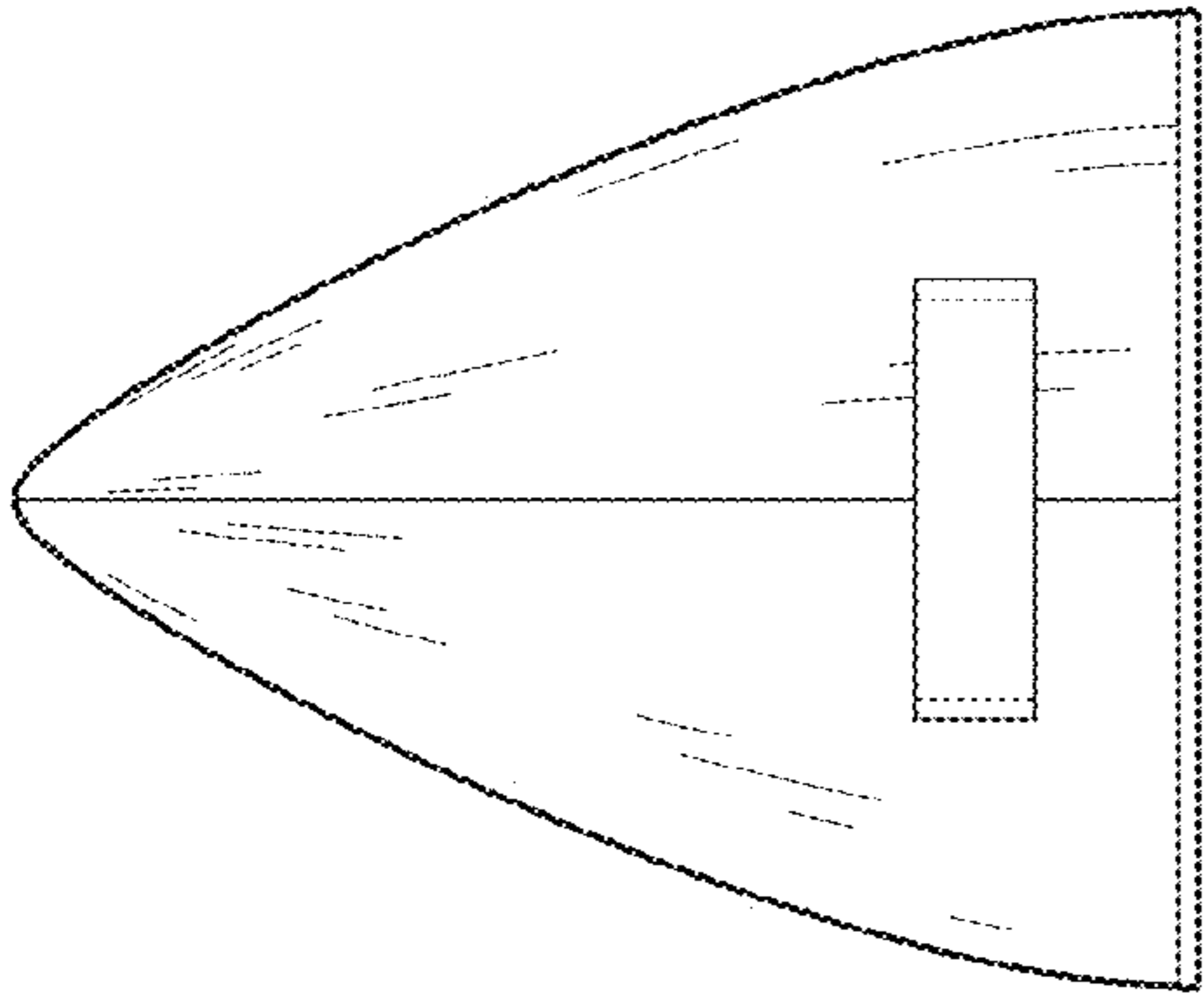


FIG. 4

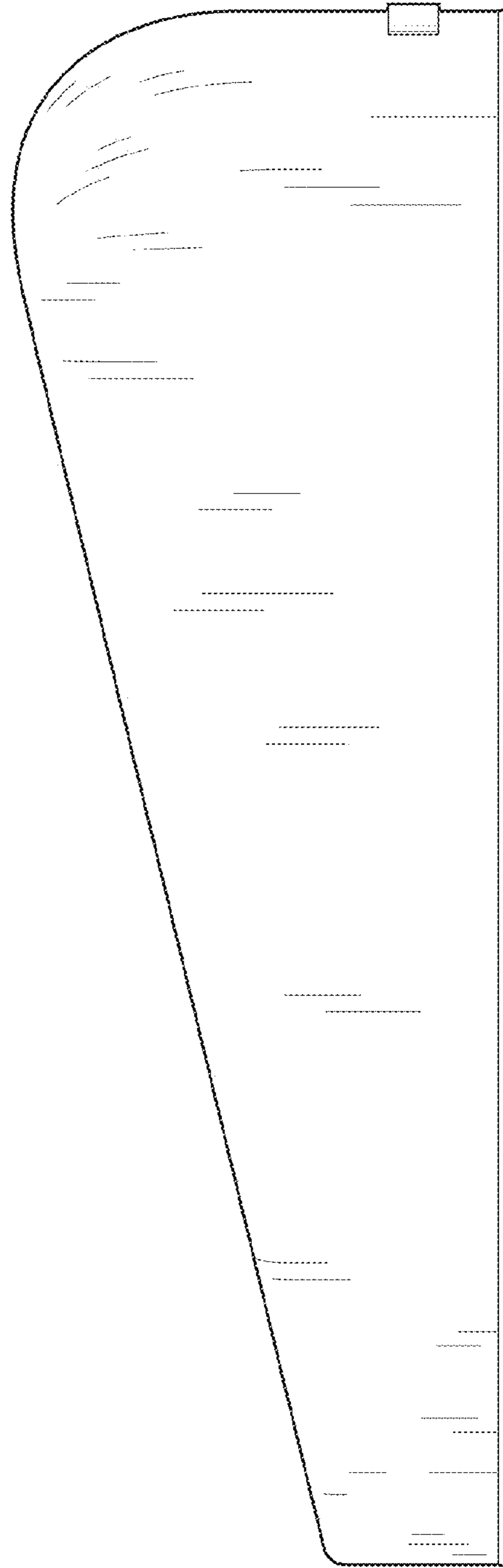
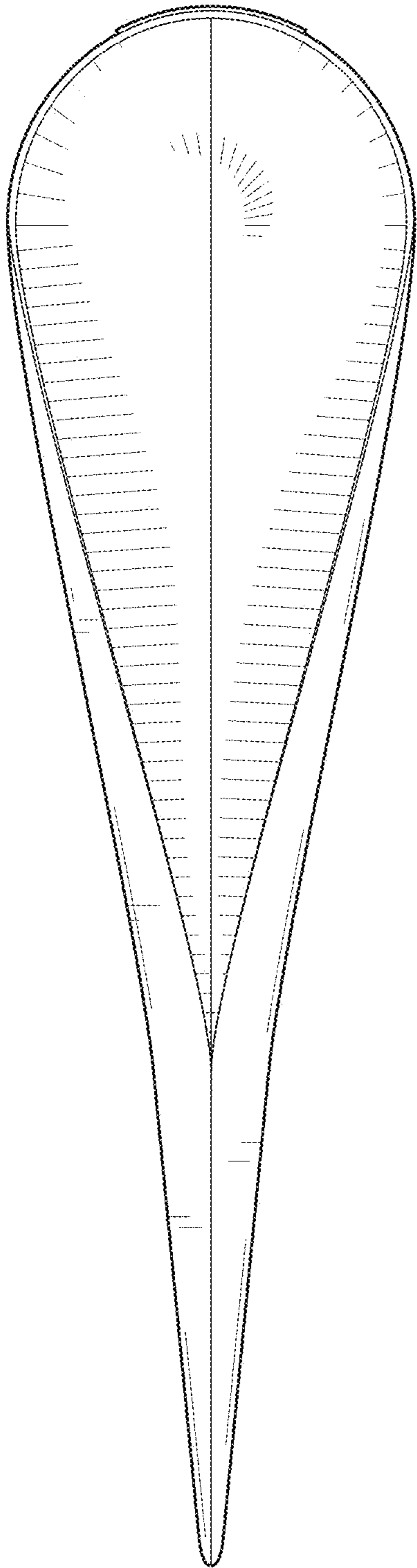
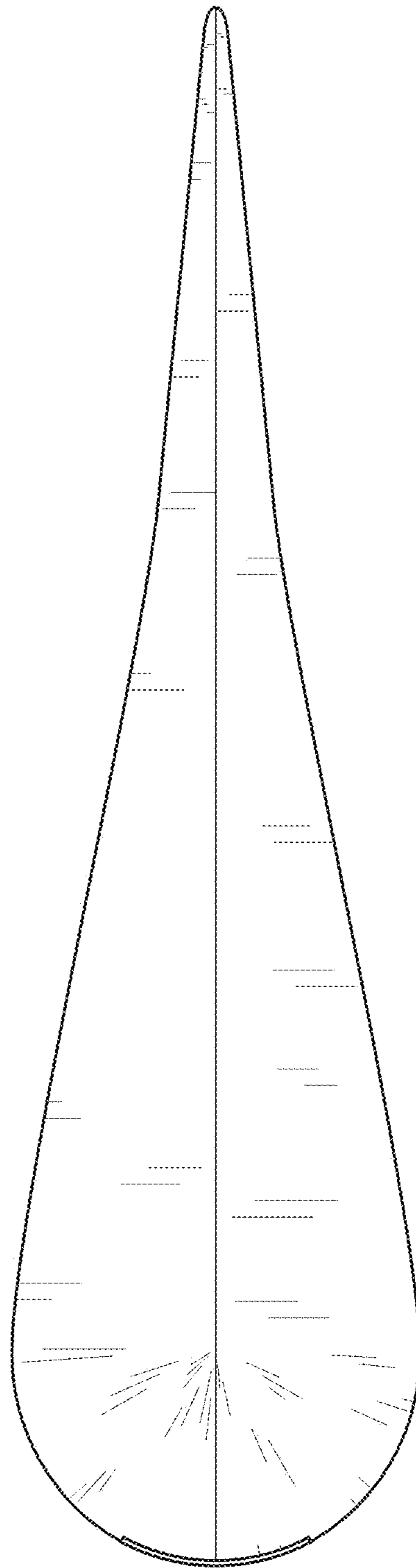


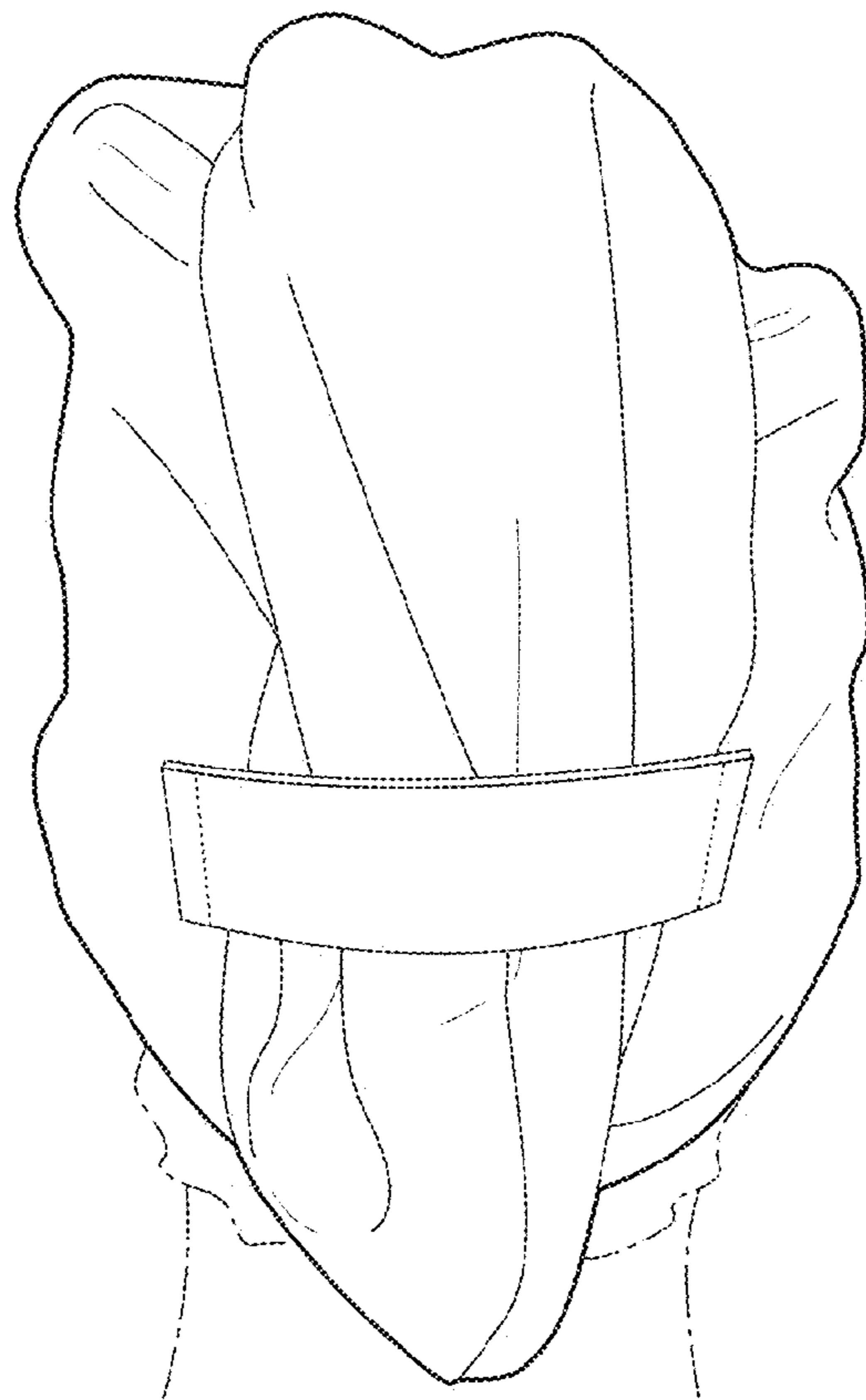
FIG. 5



**FIG. 6**



**FIG. 7**



**FIG. 8**



**FIG. 9**