



US00D927891S

(12) **United States Design Patent**
Petzold

(10) **Patent No.:** **US D927,891 S**

(45) **Date of Patent:** **** *Aug. 17, 2021**

(54) **BUMPER FOR BED FRAME**

(71) Applicant: **Heidi Pamela Petzold**, Los Angeles, CA (US)

(72) Inventor: **Heidi Pamela Petzold**, Los Angeles, CA (US)

(*) Notice: This patent is subject to a terminal disclaimer.

(**) Term: **15 Years**

(21) Appl. No.: **29/622,179**

(22) Filed: **Oct. 14, 2017**

(51) **LOC (13) Cl.** **06-02**

(52) **U.S. Cl.**
USPC **D6/606**

(58) **Field of Classification Search**
USPC D6/596, 601, 605, 606, 718, 718.26,
D6/718.3, 719; D30/118

(Continued)

(56) **References Cited**

U.S. PATENT DOCUMENTS

113,605 A 4/1871 Willmot
1,699,498 A 1/1929 Darwin

(Continued)

OTHER PUBLICATIONS

Petzold, H., U.S. Appl. No. 15/173,857, filed Jun. 6, 2016, Protective, Collapsible, Lightweight Bed Finishing Frame.

Primary Examiner — Leanne Was-Englehart

(74) *Attorney, Agent, or Firm* — Law Office of David Hong

(57) **CLAIM**

The ornamental design for a bumper for bed frame, as shown and described.

DESCRIPTION

FIG. 1 is a top perspective view of the bumper for bed frame, showing my new design;

FIG. 2 is a bottom perspective view thereof;
FIG. 3 is an end elevation view thereof;
FIG. 4 is the opposite end elevation view thereof;
FIG. 5 is a side elevation view thereof;
FIG. 6 is the opposite side elevation view thereof;
FIG. 7 is a top plan view thereof;
FIG. 8 is a bottom plan view thereof;
FIG. 9 is a top perspective view of a second embodiment of my new design;
FIG. 10 is a bottom perspective view of the second embodiment of FIG. 9;
FIG. 11 is an end elevation view of the second embodiment of FIG. 9;
FIG. 12 is the opposite end elevation view of the second embodiment of FIG. 9;
FIG. 13 is a side elevation view of the second embodiment of FIG. 9;
FIG. 14 is the opposite side elevation view of the second embodiment of FIG. 9;
FIG. 15 is a top plan view of the second embodiment of FIG. 9;
FIG. 16 is a bottom plan view of the second embodiment of FIG. 9;
FIG. 17 is another perspective view of the designs of FIGS. 1 and 9, but shown in use over a box-spring or mattress foundation;
FIG. 18 is another perspective view of the designs of FIGS. 1 and 9, but shown in use over a box-spring or mattress foundation with casters;
FIG. 19 is an exploded perspective view thereof;
FIG. 20 is a top perspective view of a third embodiment of my new design;
FIG. 21 is a bottom perspective view of the third embodiment of FIG. 20;
FIG. 22 is an end elevation view of the third embodiment of FIG. 20;
FIG. 23 is the opposite end elevation view of the third embodiment of FIG. 20;
FIG. 24 is a side elevation view of the third embodiment of FIG. 20;
FIG. 25 is the opposite side elevation view of the third embodiment of FIG. 20;

(Continued)

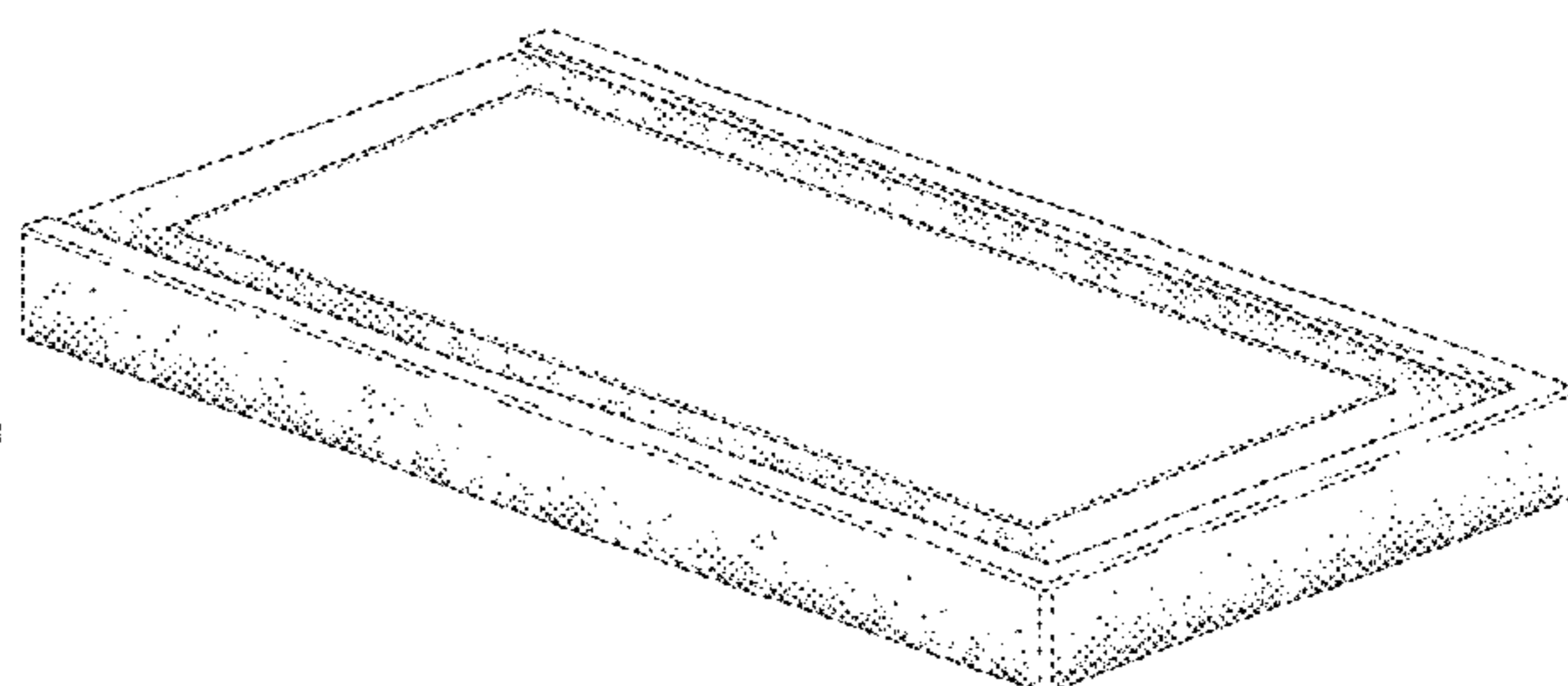
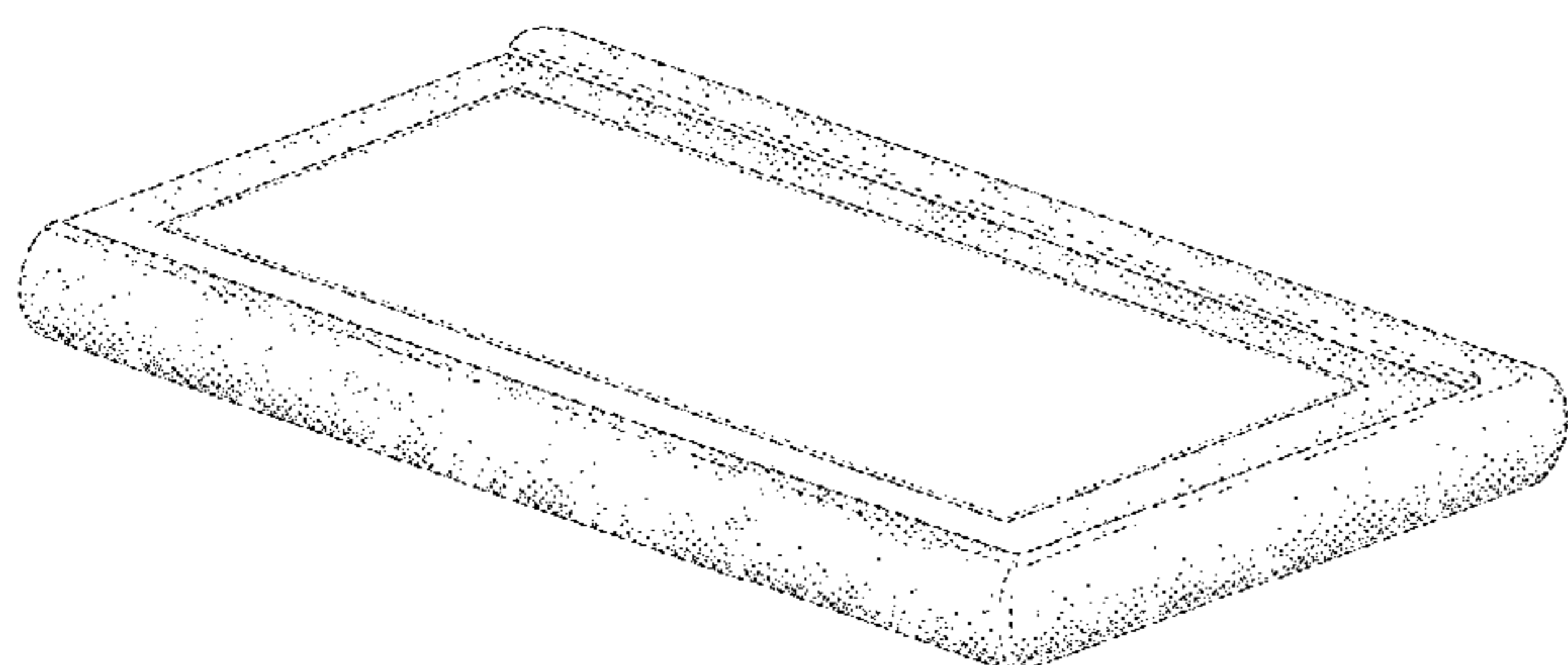


FIG. 26 is a top plan view of the third embodiment of FIG. 20;
 FIG. 27 is a bottom plan view of the third embodiment of FIG. 20;
 FIG. 28 is a top perspective view of a fourth embodiment of my new design;
 FIG. 29 is a bottom perspective view of the fourth embodiment of FIG. 28;
 FIG. 30 is an end elevation view of the fourth embodiment of FIG. 28;
 FIG. 31 is the opposite end elevation view of the fourth embodiment of FIG. 28;
 FIG. 32 is a side elevation view of the fourth embodiment of FIG. 28;
 FIG. 33 is the opposite side elevation view of the fourth embodiment of FIG. 28;
 FIG. 34 is a top plan view of the fourth embodiment of FIG. 28;
 FIG. 35 is a bottom plan view of the fourth embodiment of FIG. 28;
 FIG. 36 is another perspective view of the designs of FIGS. 20 and 28, but shown in use over a box-spring or mattress foundation;
 FIG. 37 is another perspective view of the designs of FIGS. 20 and 28, but shown in use over a box-spring or mattress foundation with casters; and,
 FIG. 38 is an exploded perspective view thereof.
 The broken lines shown in the drawing views are included for the purpose of showing environmental structure that forms no part of the claimed design.

1 Claim, 16 Drawing Sheets

(58) **Field of Classification Search**
 CPC A47B 95/043; A47C 21/00; A47C 21/06;
 A47C 19/02; A47C 31/105; A47C 27/003
 See application file for complete search history.

(56) **References Cited**

U.S. PATENT DOCUMENTS

1,710,591 A 4/1929 Jane
 3,619,824 A * 11/1971 Doyle A47D 15/008
 5/143
 D245,747 S * 9/1977 Ikeda D6/606
 4,117,782 A * 10/1978 Cahill A47B 95/043
 108/27
 4,153,230 A 5/1979 Giacini
 4,286,344 A * 9/1981 Ikeda A47C 21/08
 5/420
 4,437,704 A * 3/1984 Hovsepian A47C 4/02
 297/440.14
 4,514,871 A 5/1985 Fisher
 4,534,078 A * 8/1985 Viesturs A61G 7/05769
 5/681
 4,637,082 A * 1/1987 Moore A47C 27/085
 5/680
 4,663,790 A * 5/1987 Santo A47C 27/085
 156/227
 4,873,734 A 10/1989 Pollard

5,021,279 A 6/1991 Whitener
 5,027,454 A 7/1991 Peng
 5,103,514 A * 4/1992 Leach A47D 13/08
 5/417
 5,247,897 A 9/1993 Pepp
 5,473,785 A 12/1995 Lager
 5,496,609 A 3/1996 Michelstein
 5,508,078 A 4/1996 Steinaker
 5,551,108 A * 9/1996 Butler, III A47D 5/006
 190/1
 5,639,072 A 6/1997 McCall
 5,822,817 A * 10/1998 Carew A47C 27/144
 5/732
 5,903,938 A * 5/1999 Padilla A47C 21/06
 160/369
 5,937,458 A * 8/1999 DeRosa A47D 15/008
 5/424
 6,026,525 A * 2/2000 Davis A47D 7/002
 5/655
 6,076,212 A 6/2000 Feld
 6,199,230 B1 * 3/2001 Parikh A47D 13/063
 5/420
 6,393,639 B1 * 5/2002 Ohsner A47D 5/006
 5/425
 D461,356 S * 8/2002 Thomas D6/610
 6,708,941 B1 * 3/2004 Bowen A47B 95/043
 108/27
 6,848,130 B1 2/2005 Wilson
 7,086,101 B2 8/2006 Welch
 7,338,024 B2 * 3/2008 Chen A47B 95/043
 248/345.1
 D588,390 S * 3/2009 Brill-Cass D6/596
 7,904,977 B1 3/2011 Singh
 D642,413 S * 8/2011 Rinehart D6/596
 8,266,747 B1 * 9/2012 Sobran A47C 27/003
 5/200.1
 D674,644 S * 1/2013 Stewart D6/601
 8,434,178 B2 * 5/2013 Sobran A47C 27/003
 5/680
 D713,165 S * 9/2014 Robinson D6/391
 D785,391 S * 5/2017 King-Hunte D6/596
 D875,420 S * 2/2020 Furuland D6/390
 2005/0278858 A1 12/2005 Polevoy
 2006/0037146 A1 2/2006 Heng
 2007/0017034 A1 1/2007 Creekmuir
 2007/0090259 A1 4/2007 Chen
 2007/0283668 A1 12/2007 Oh
 2008/0111043 A1 5/2008 Chen
 2008/0172799 A1 7/2008 Constantinescu
 2009/0200445 A1 8/2009 Benn
 2009/0239005 A1 9/2009 Hawkins
 2010/0192299 A1 * 8/2010 Schermel A47C 27/053
 5/421
 2010/0287707 A1 11/2010 Beard
 2011/0127892 A1 6/2011 Joachinmeyer
 2011/0219540 A1 9/2011 Polevoy
 2012/0047651 A1 * 3/2012 O'Reagan A47C 21/08
 5/411
 2013/0025051 A1 1/2013 Syrowitz
 2013/0117932 A1 * 5/2013 Stewart A47C 19/005
 5/400
 2015/0305495 A1 10/2015 Tsai
 2016/0235192 A1 8/2016 Kramer
 2016/0174709 A1 10/2016 Ustach
 2016/0353898 A1 * 12/2016 Petzold A47C 19/02
 2018/0014660 A1 1/2018 Iwata
 2018/0049558 A1 2/2018 Jurcenko
 2018/0125253 A1 5/2018 Choi

* cited by examiner

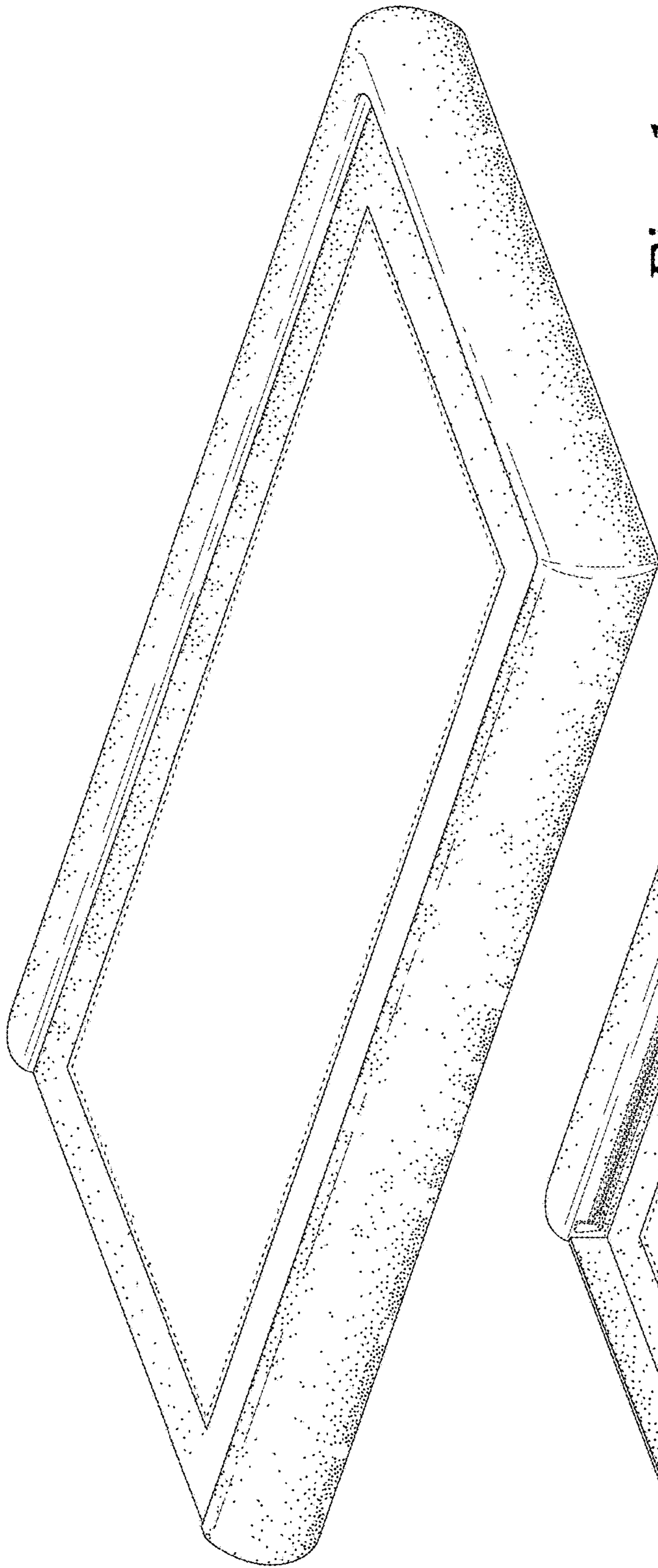


Fig. 1

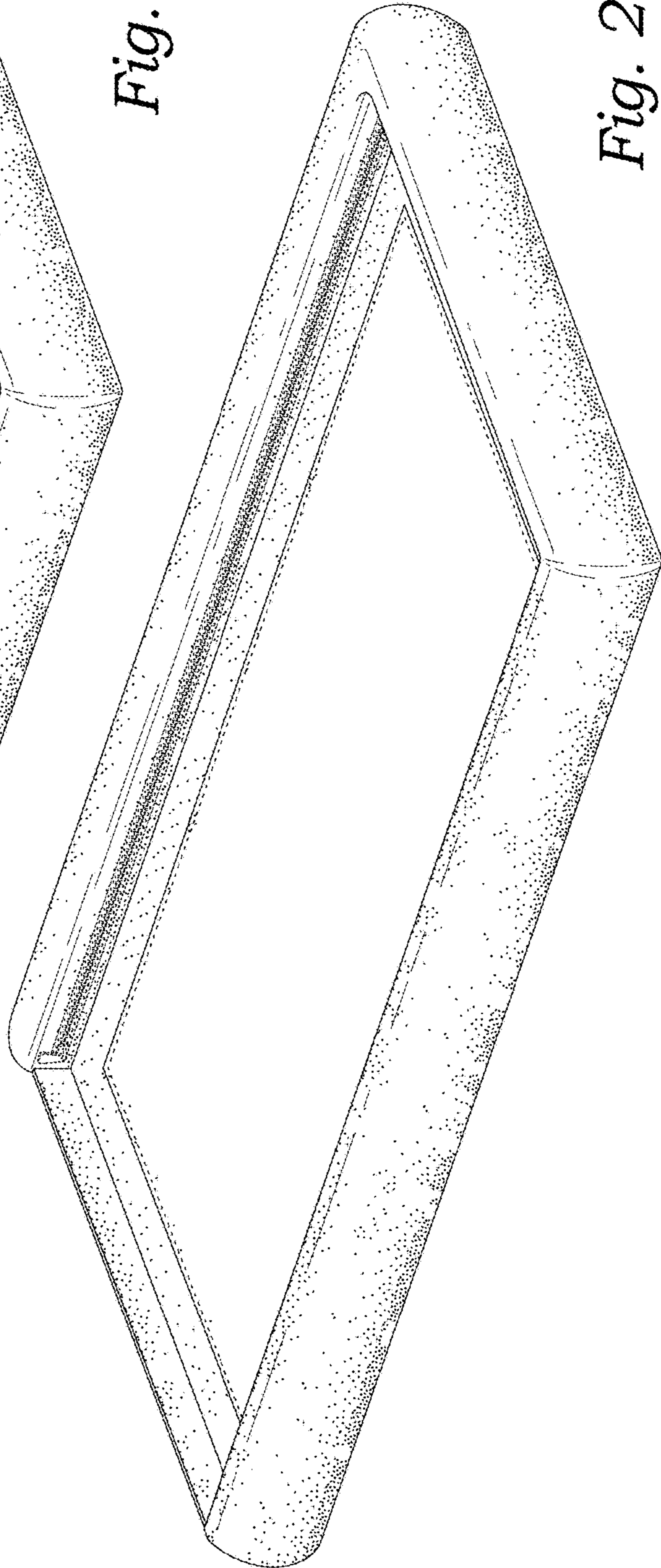


Fig. 2

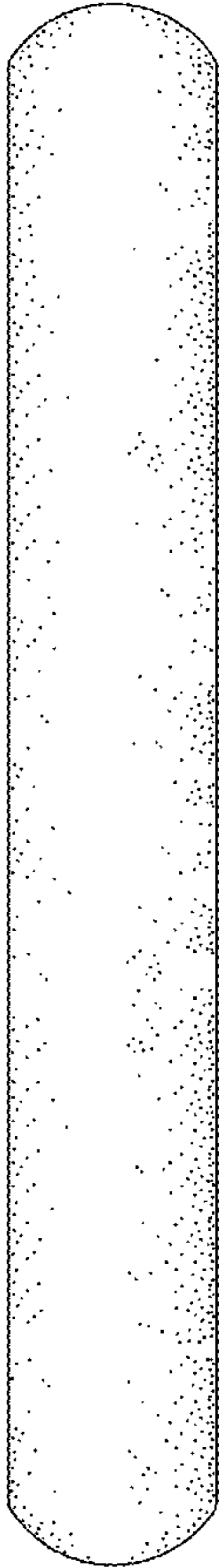


Fig. 3

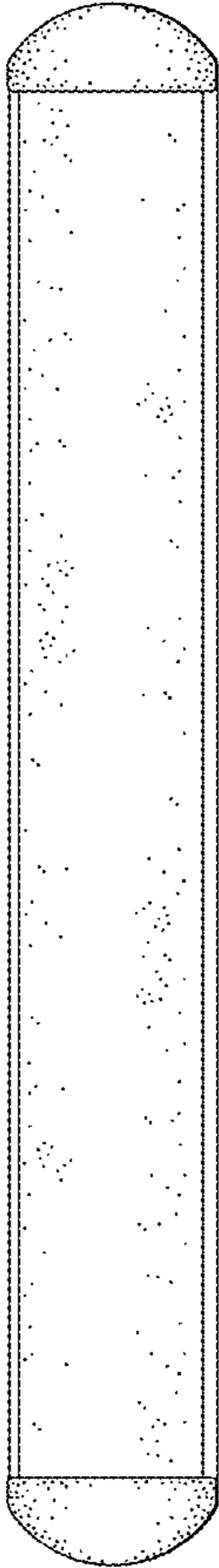


Fig. 4

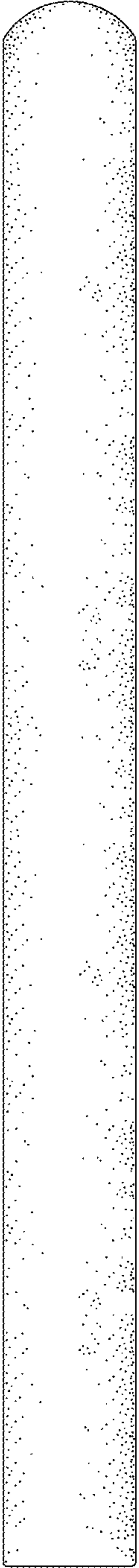


Fig. 5

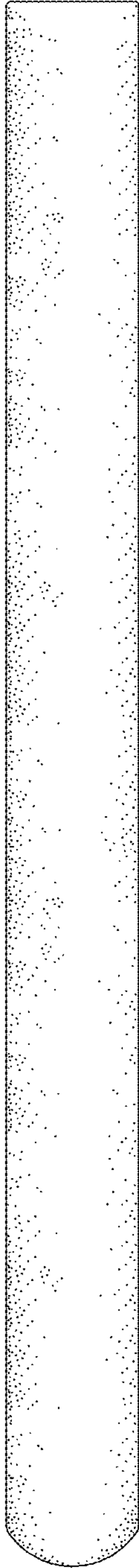


Fig. 6

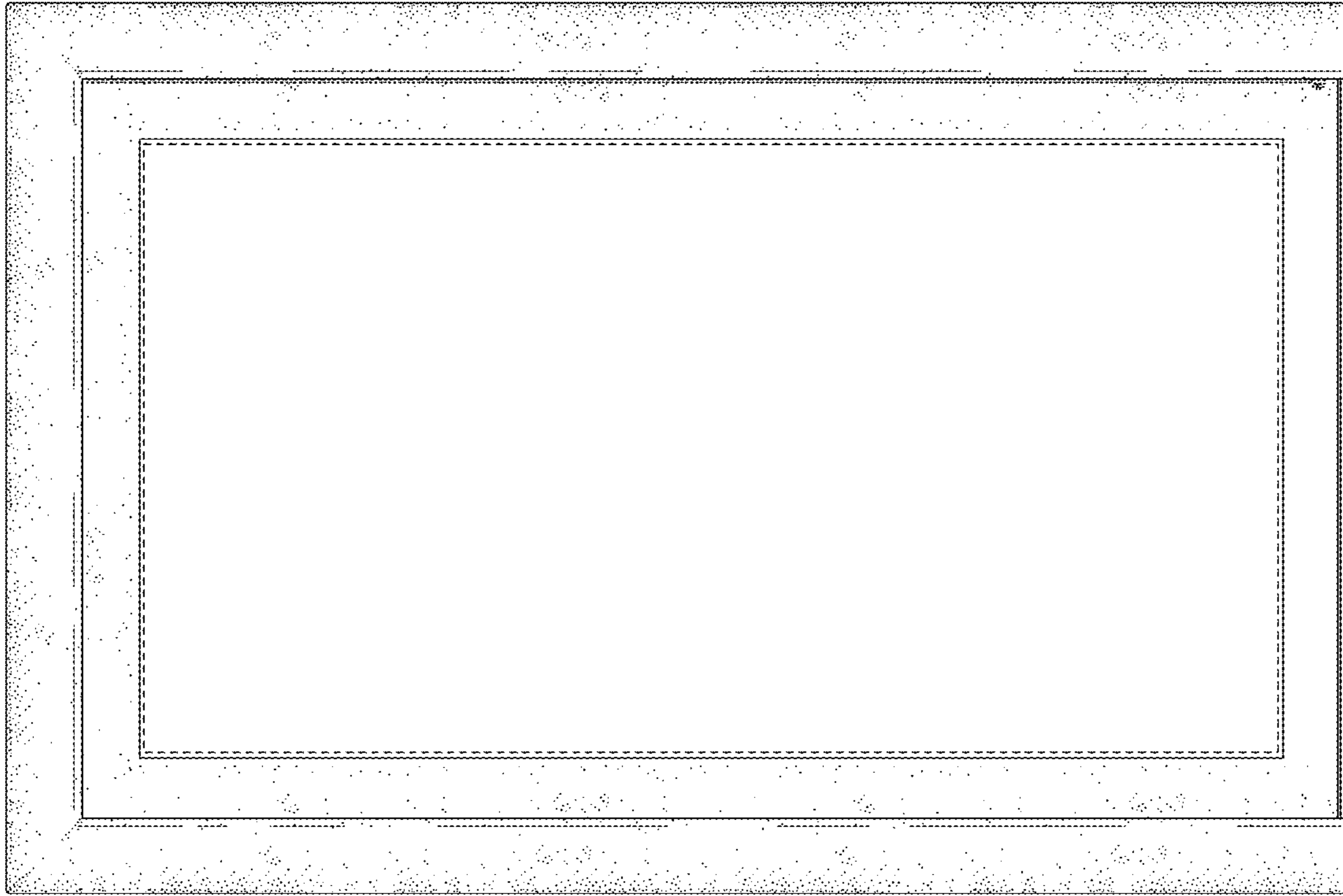


Fig. 8

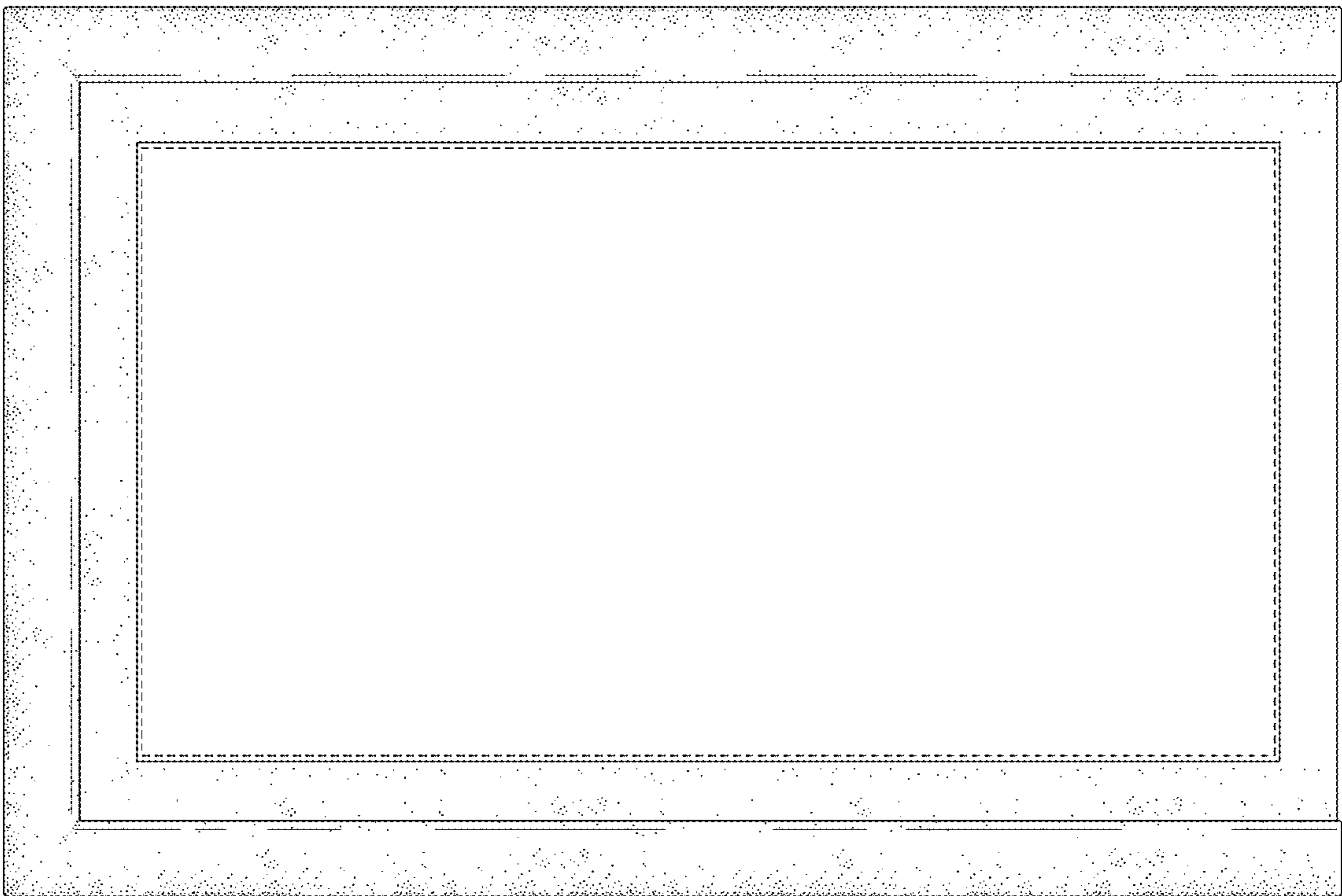


Fig. 7

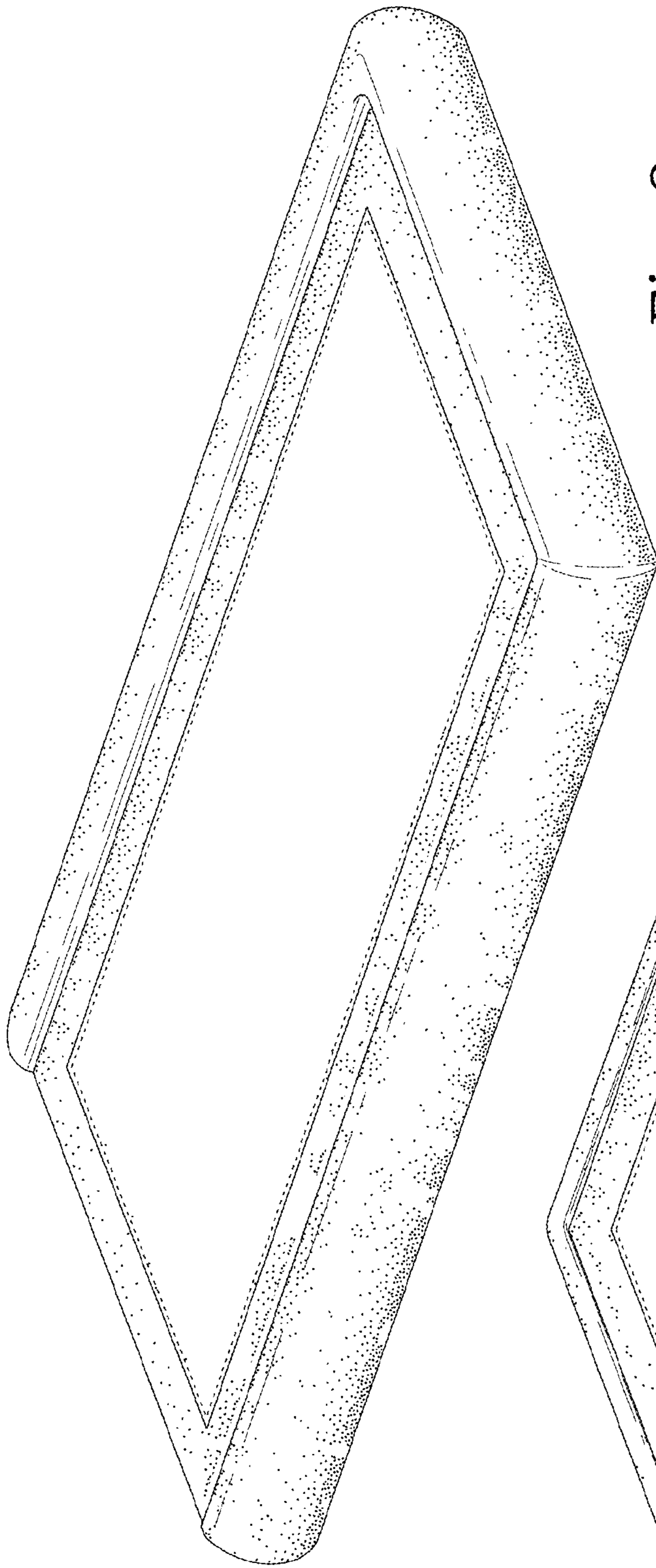


Fig. 9

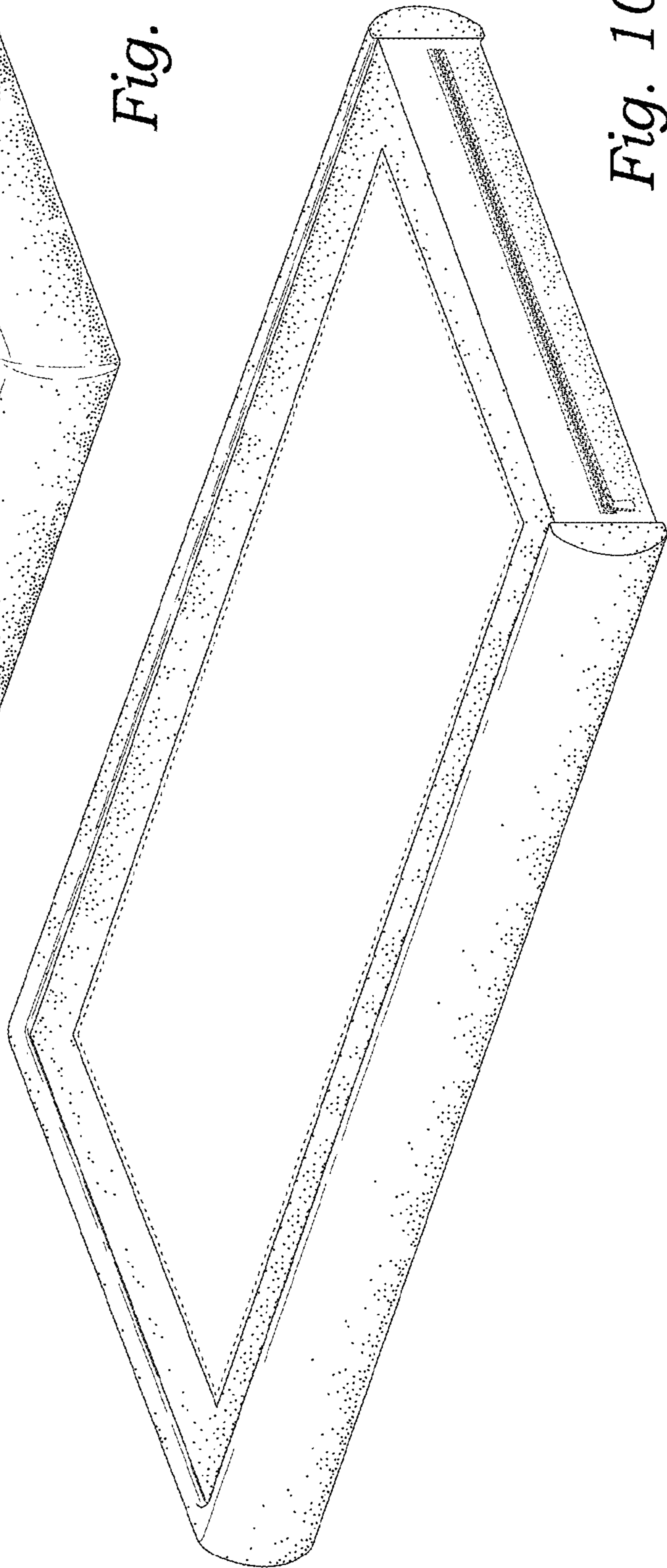


Fig. 10

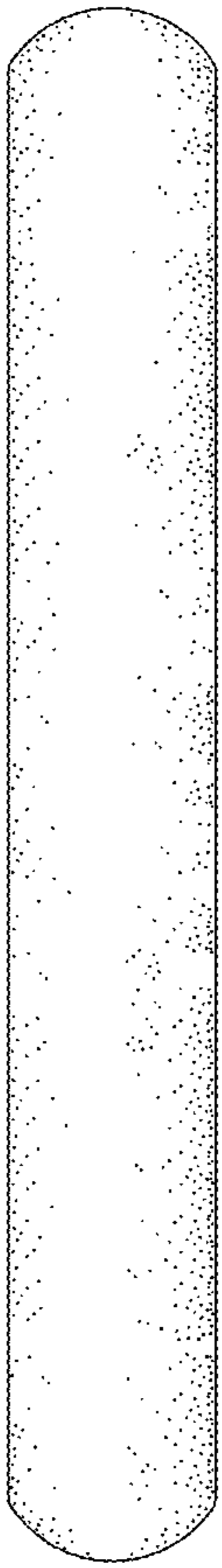


Fig. 11

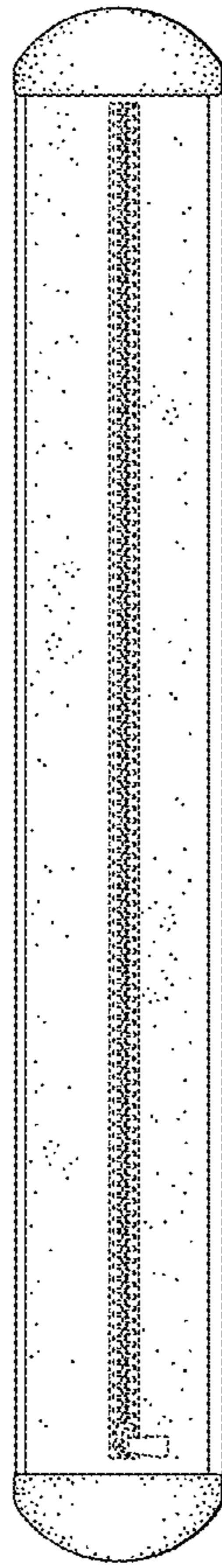


Fig. 12

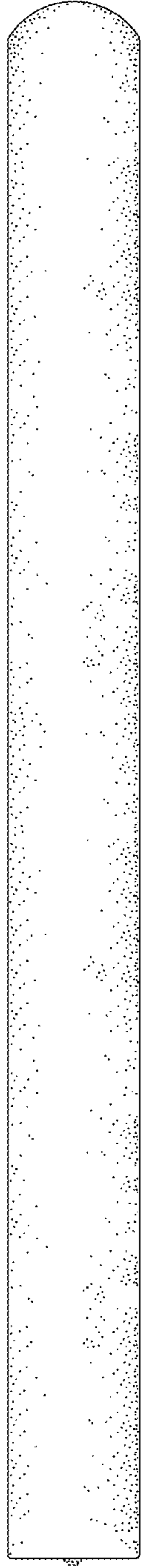


Fig. 13

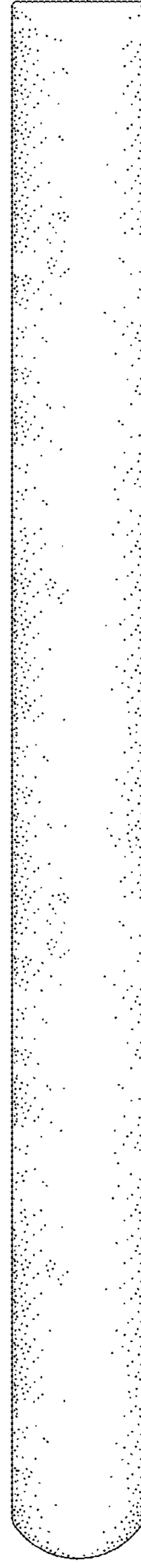


Fig. 14



Fig. 16

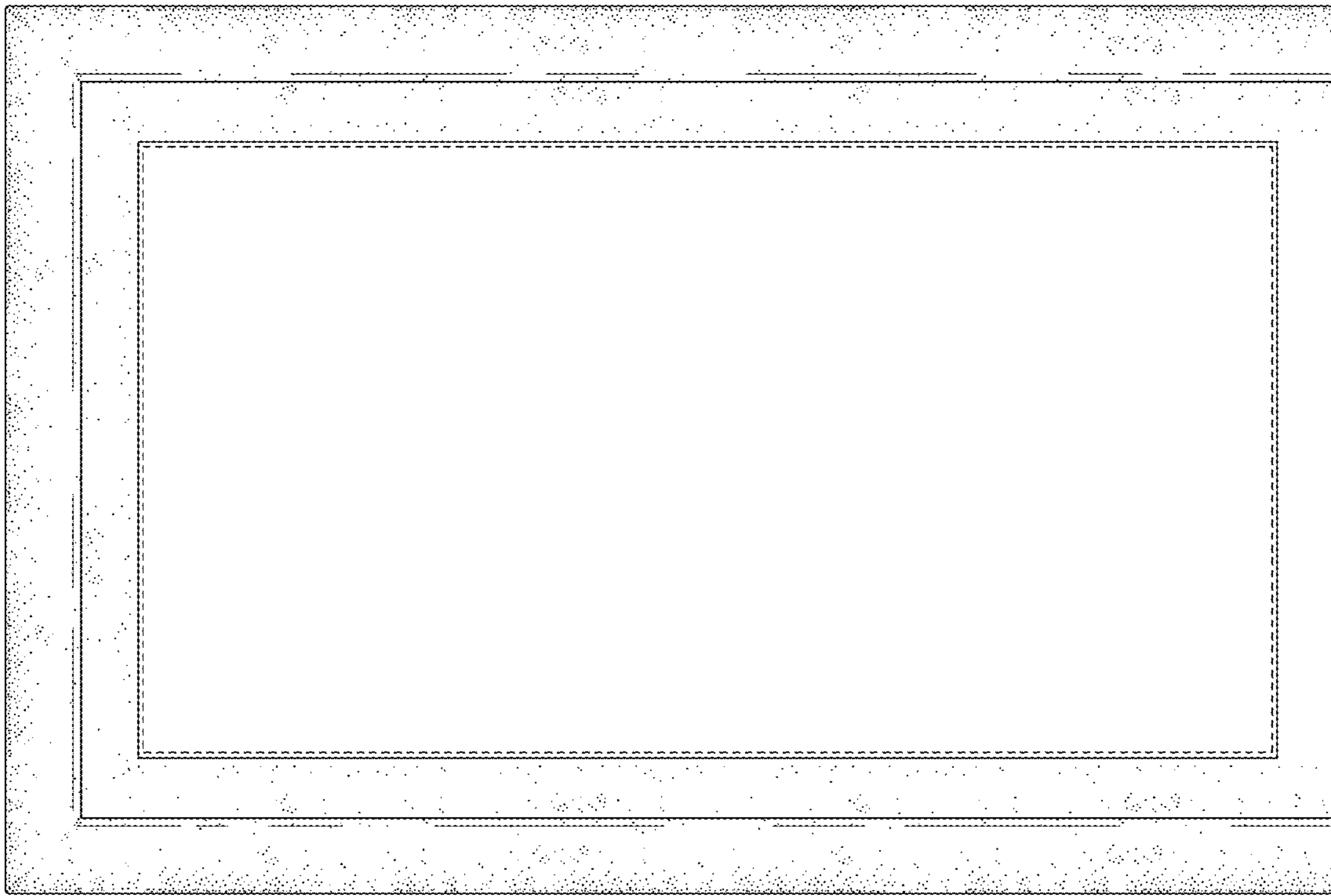


Fig. 15

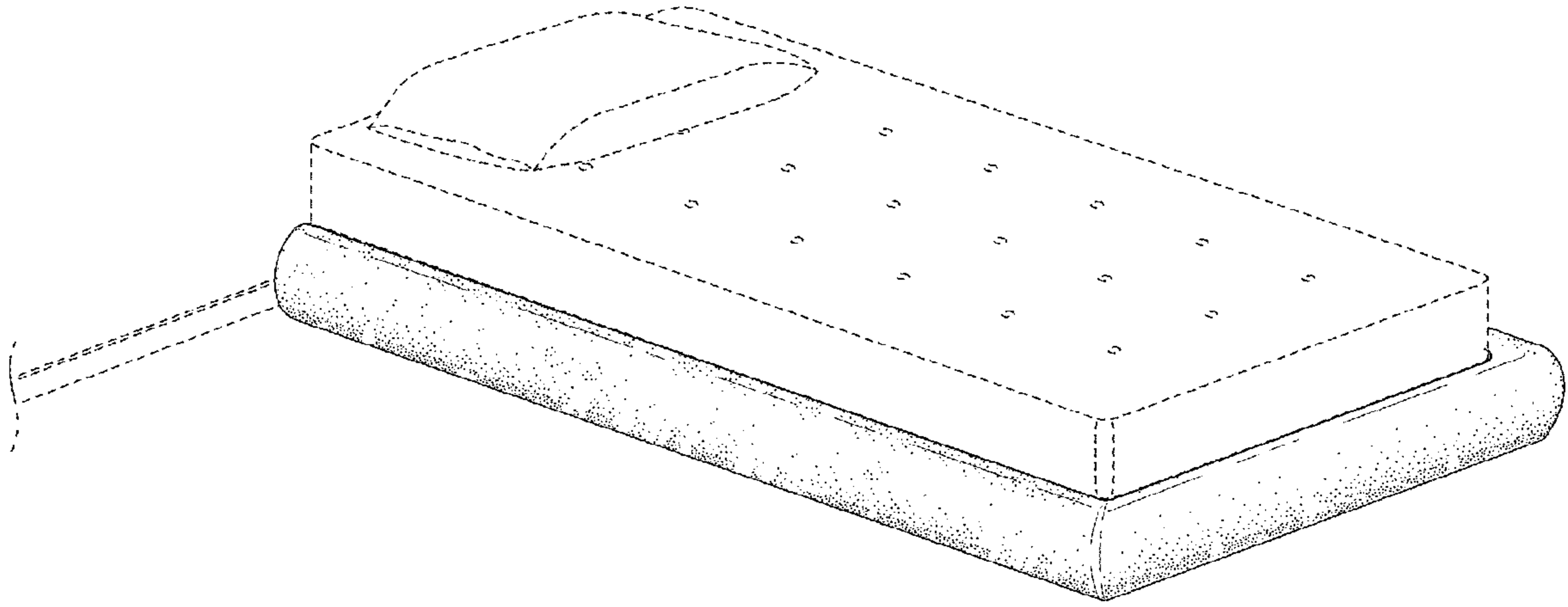


Fig. 17

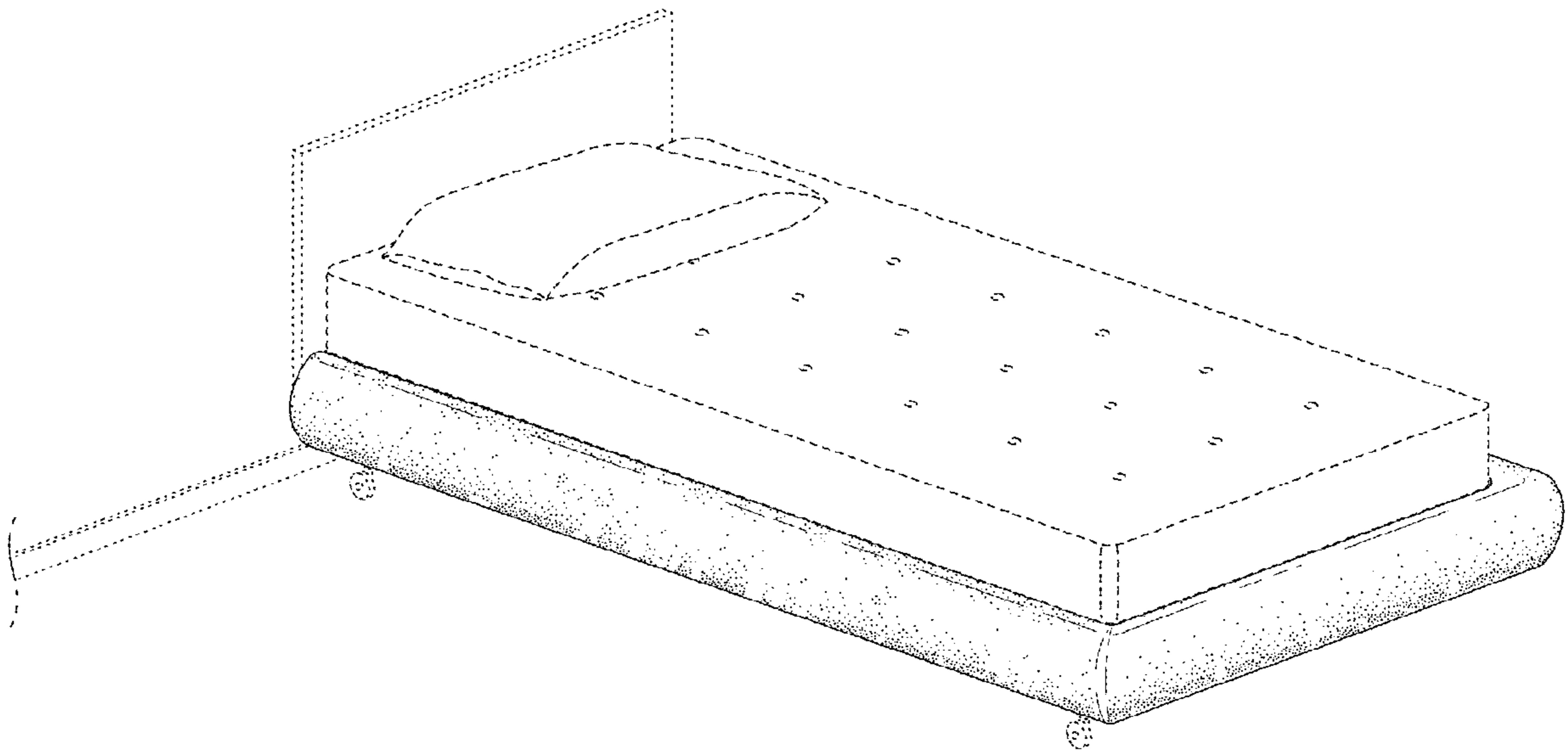


Fig. 18

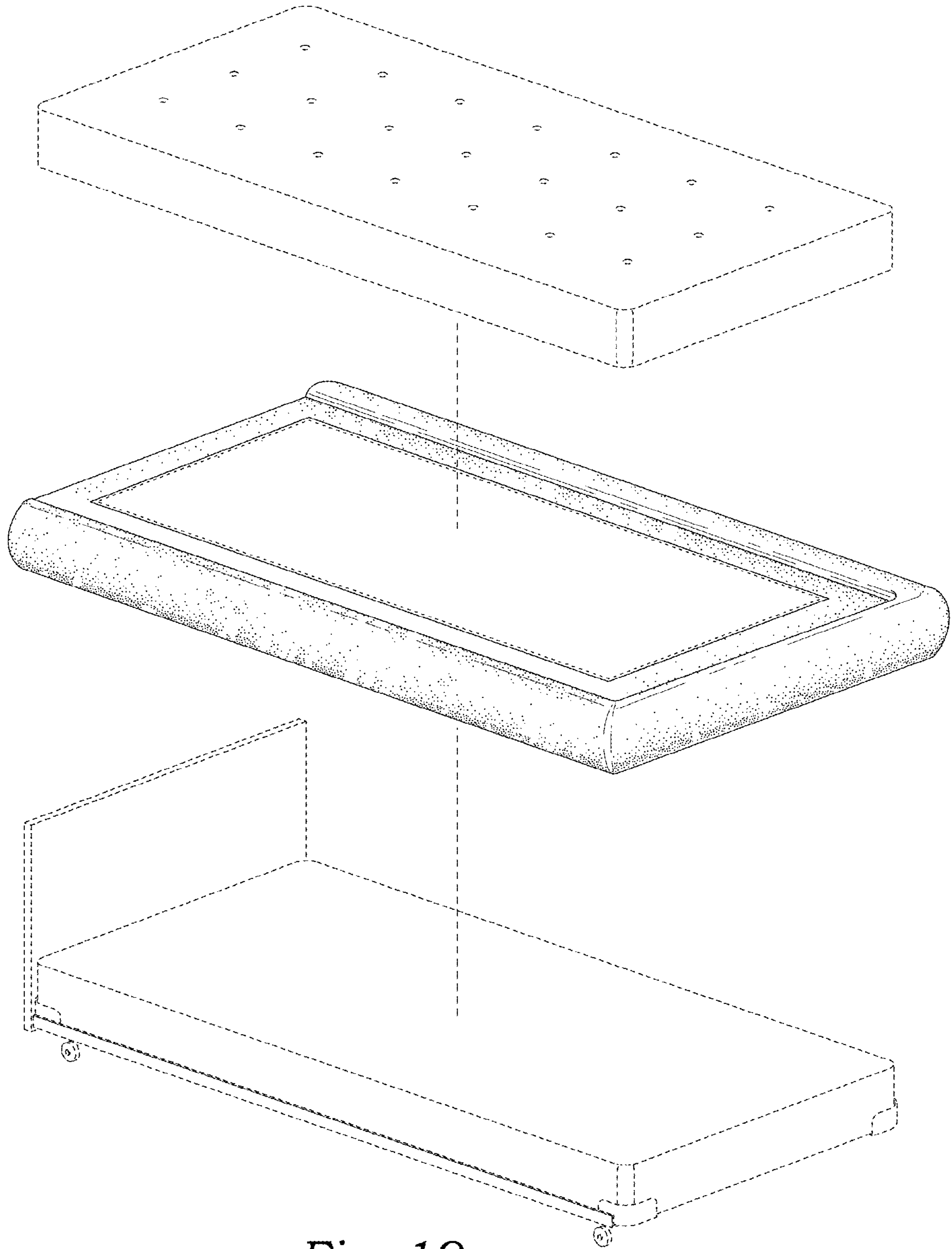


Fig. 19

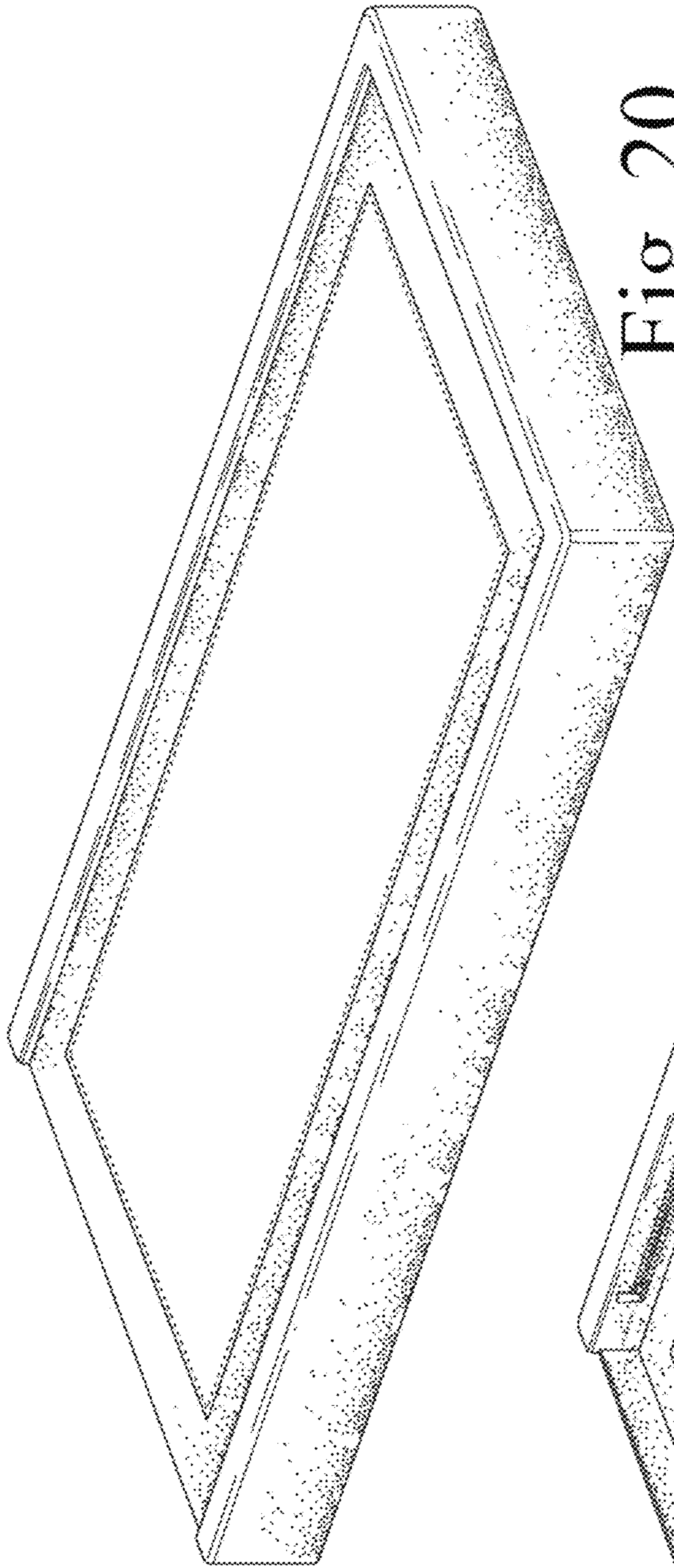


Fig. 20

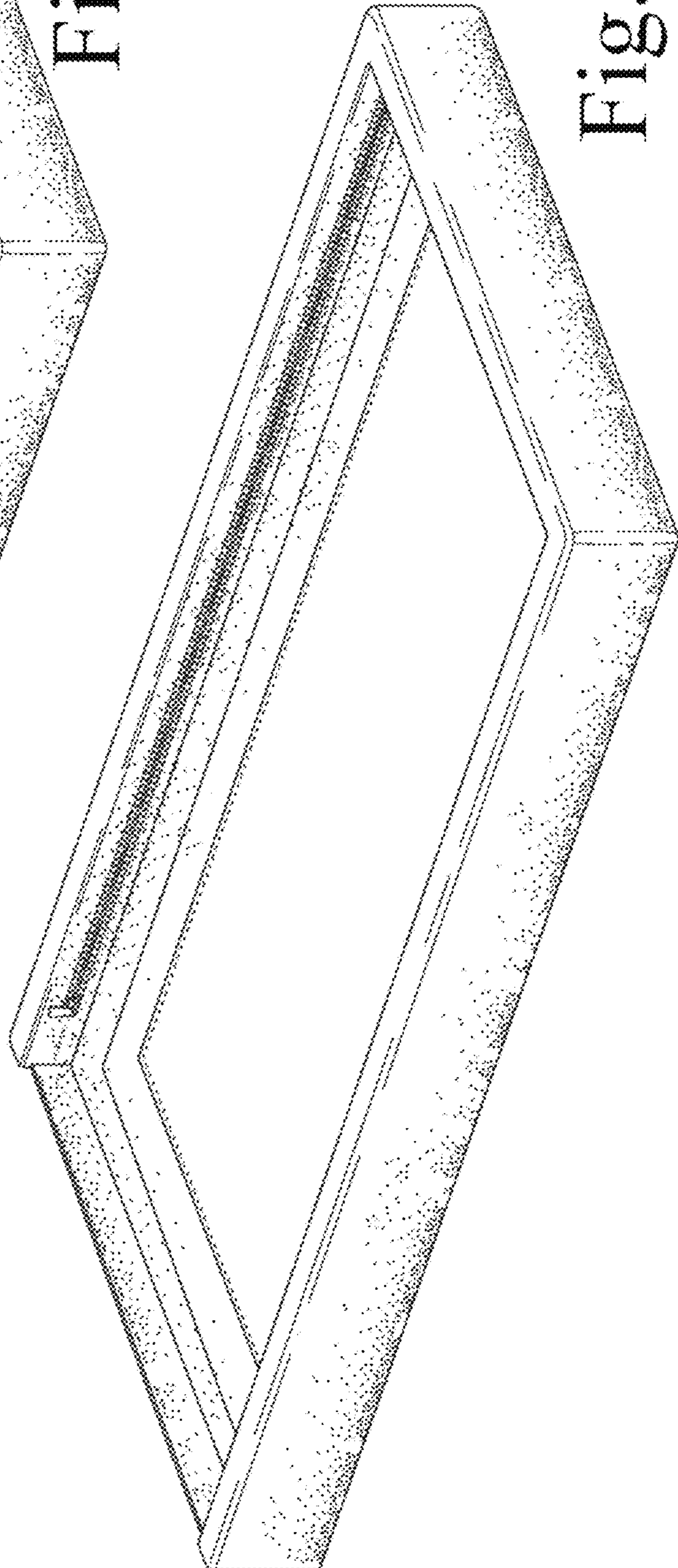


Fig. 21

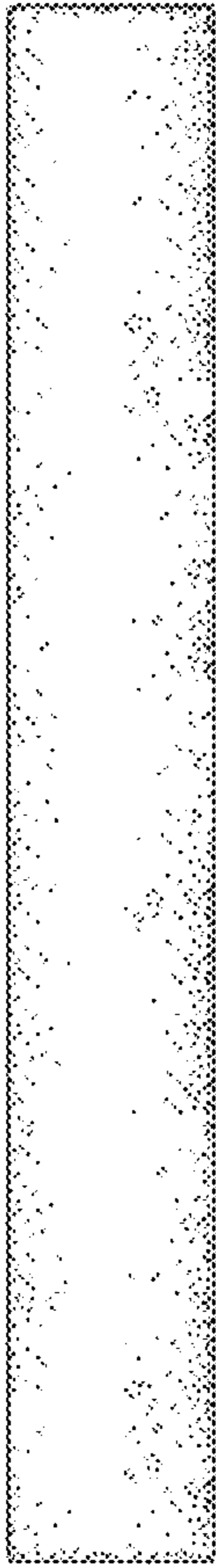


Fig. 22

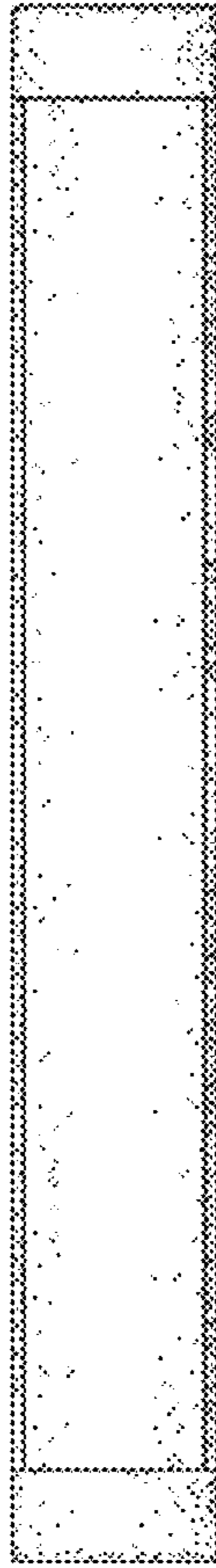


Fig. 23

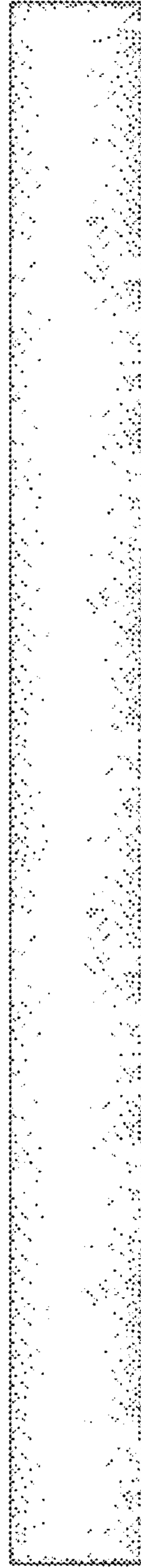


Fig. 24



Fig. 25

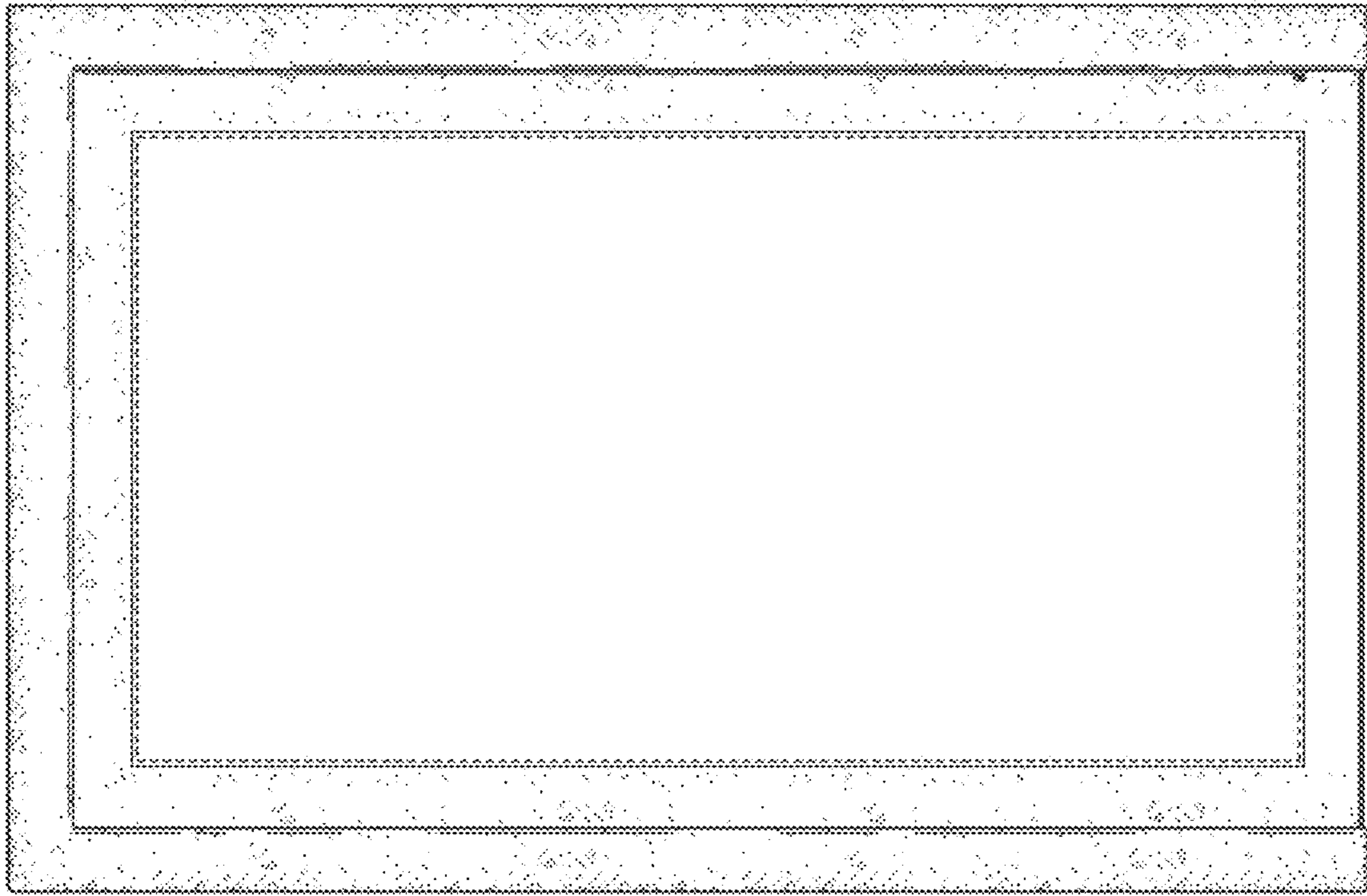


Fig. 27



Fig. 26

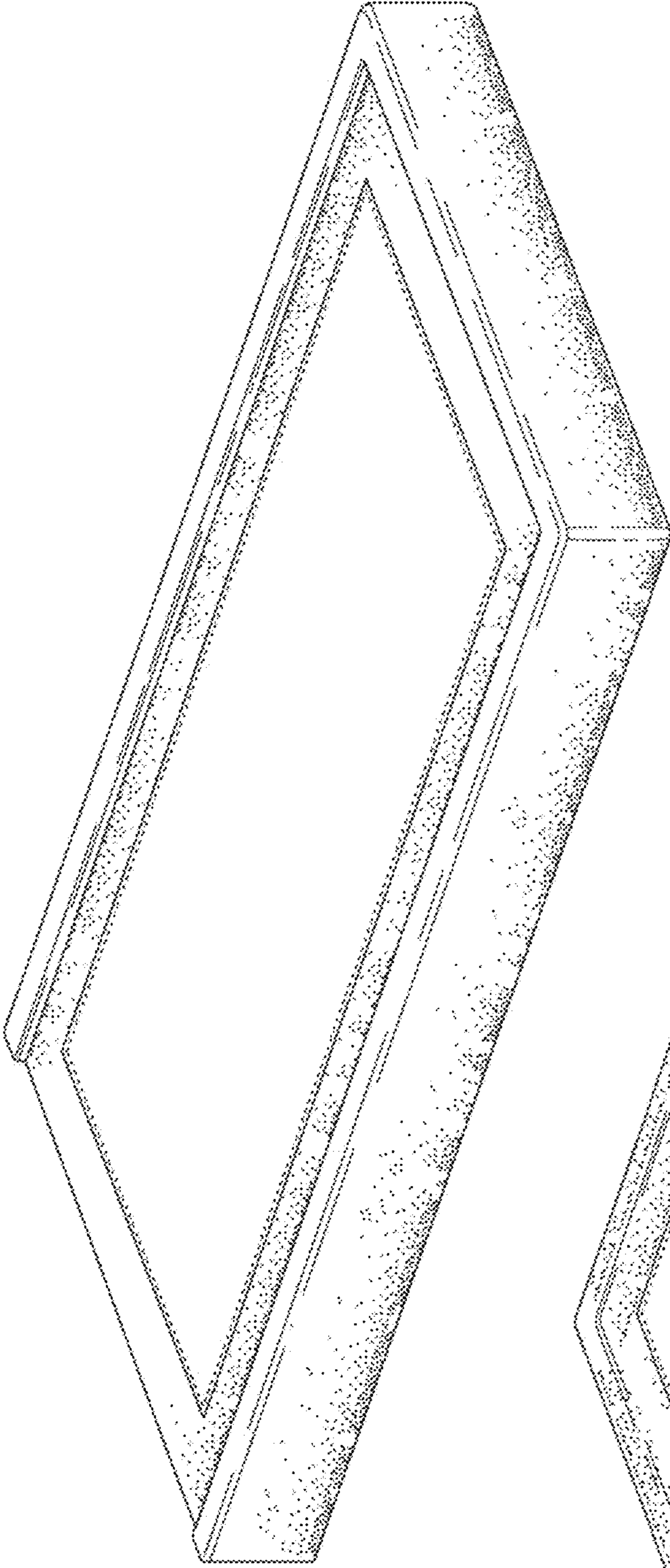


Fig. 28

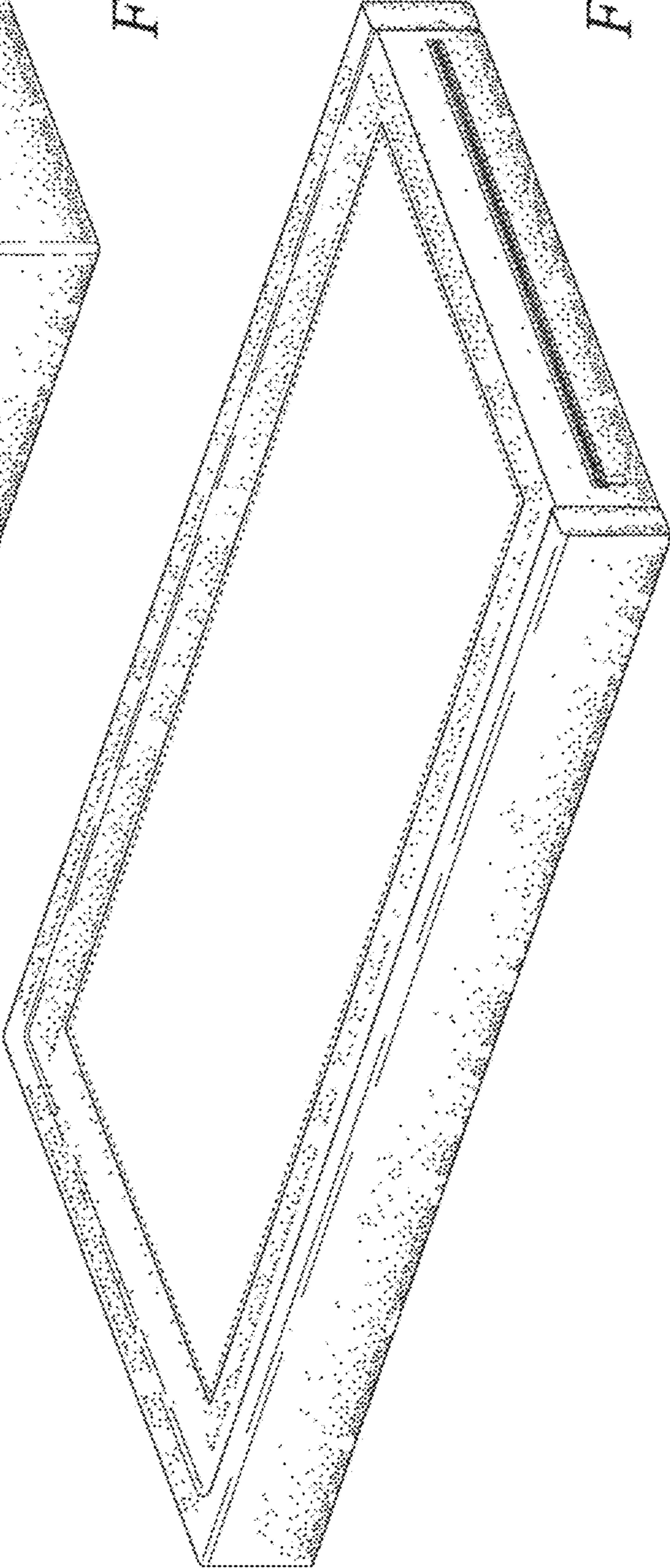


Fig. 29

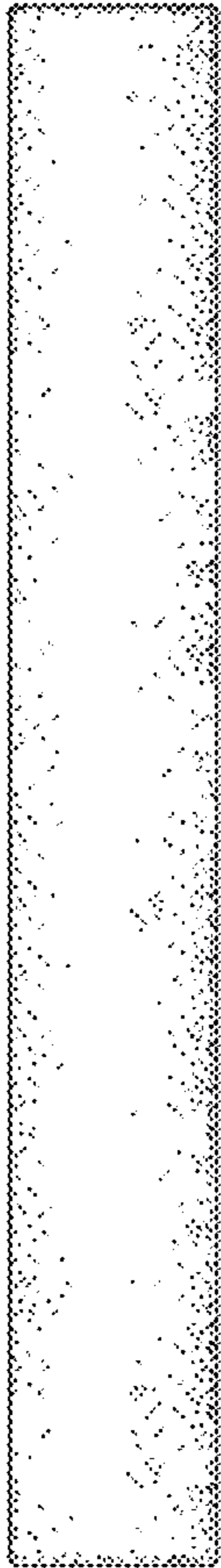


Fig. 30

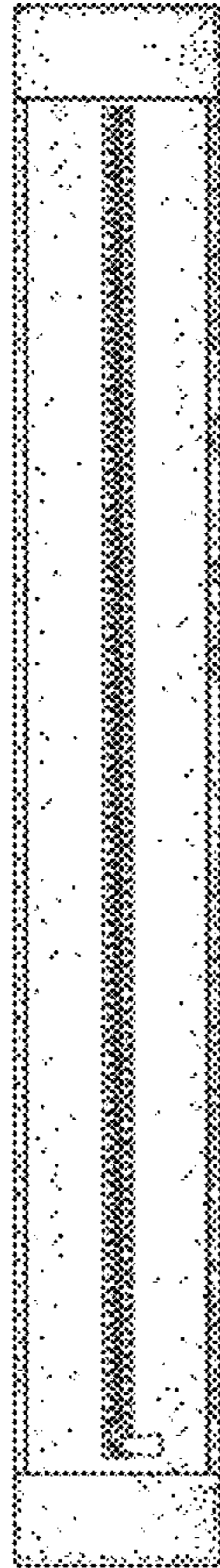


Fig. 31

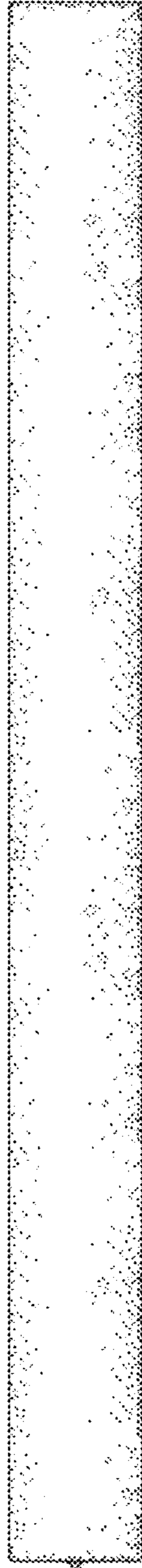


Fig. 32



Fig. 33

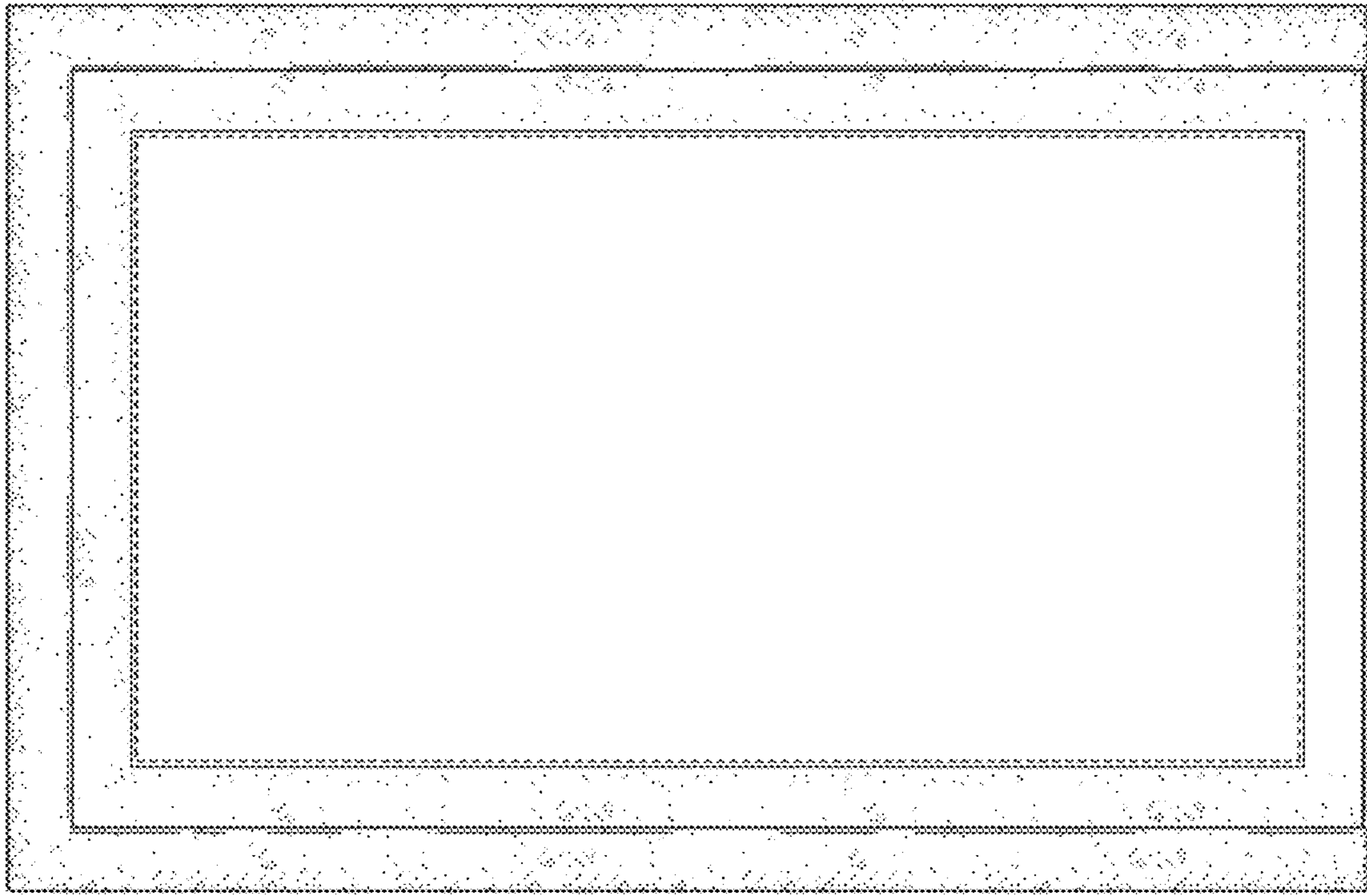


Fig. 35

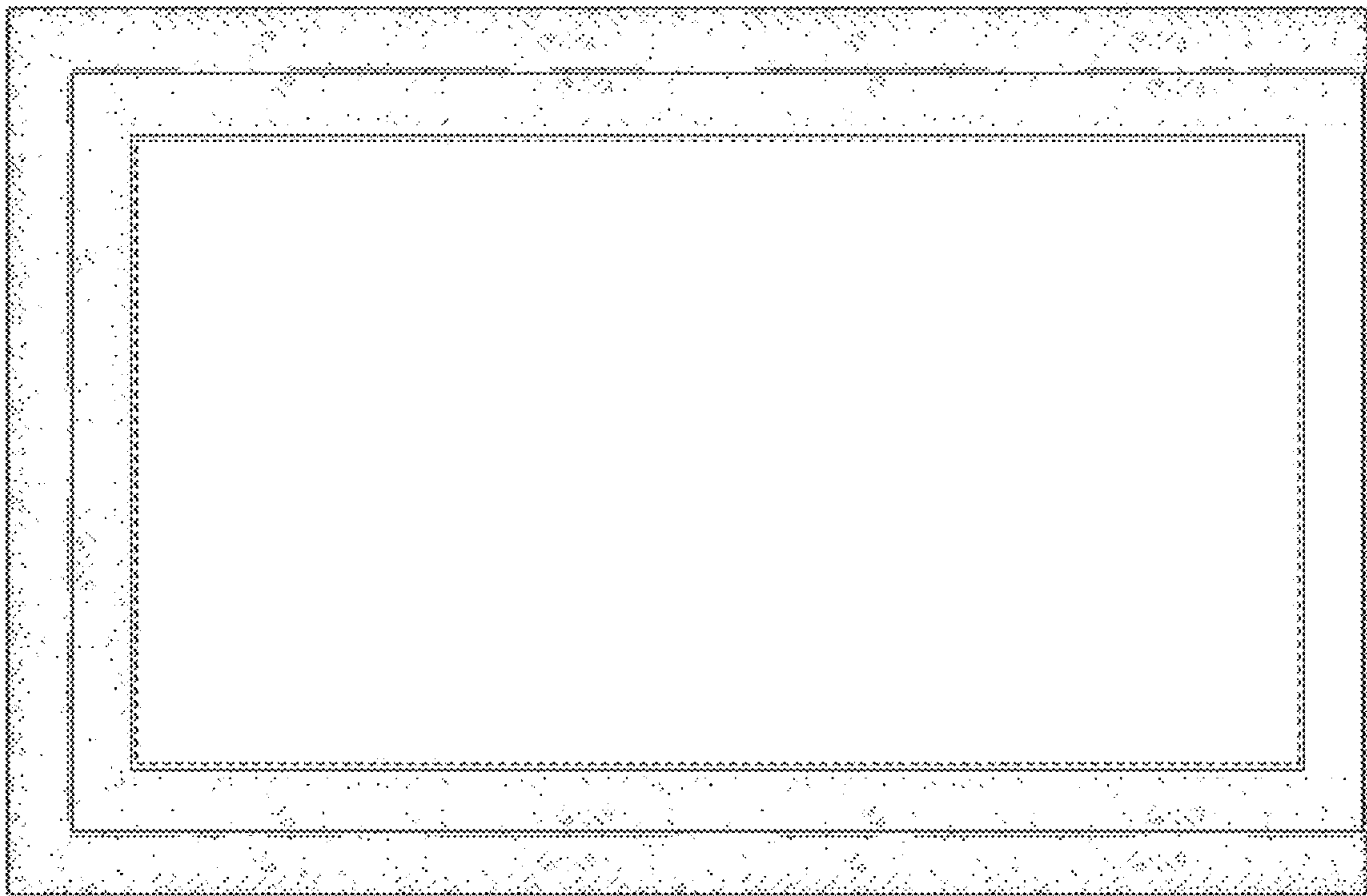


Fig. 34

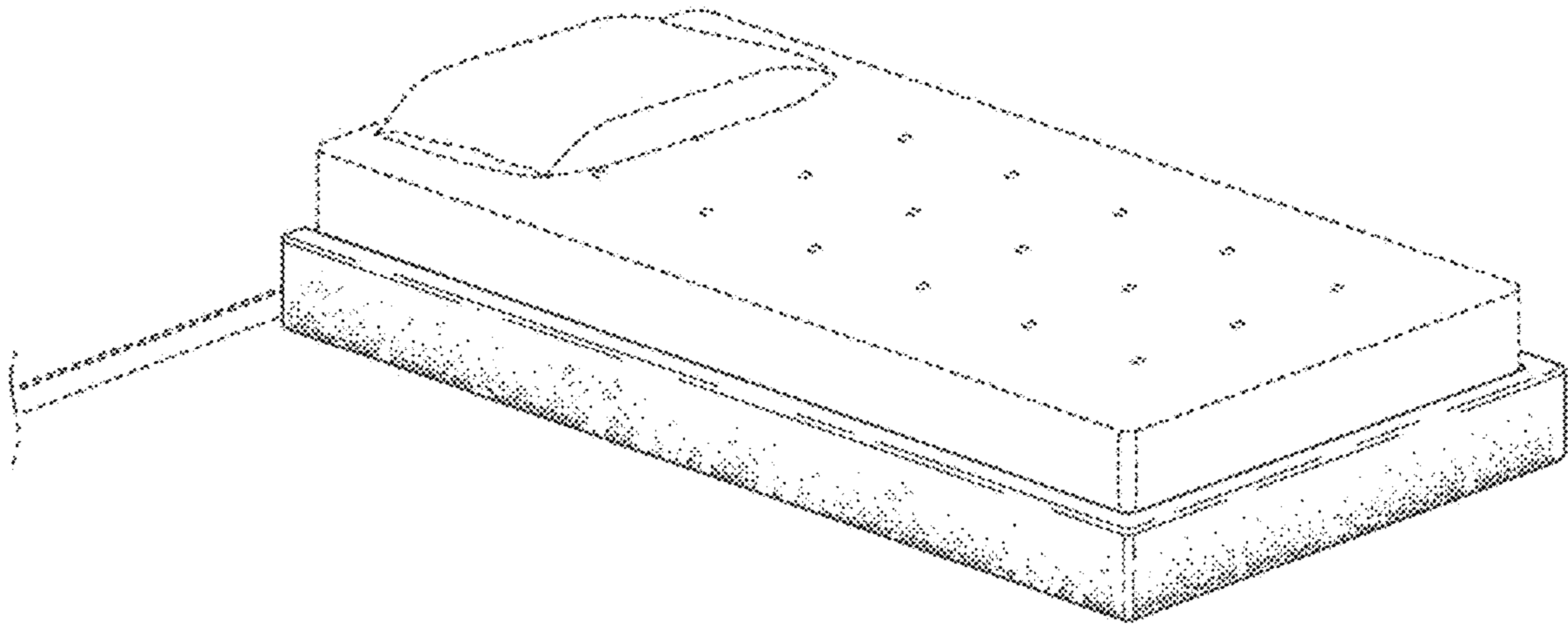


Fig. 36

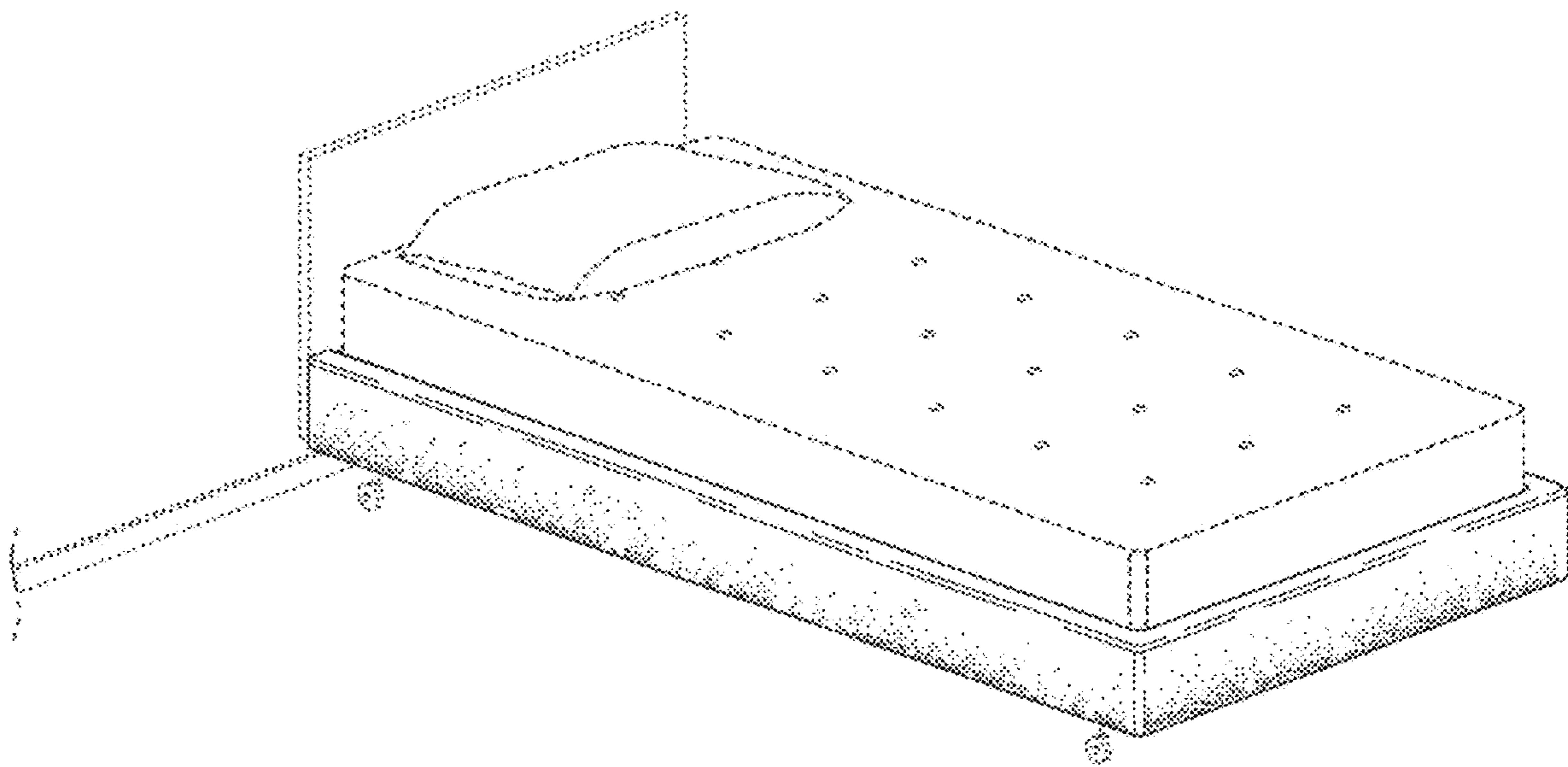


Fig. 37

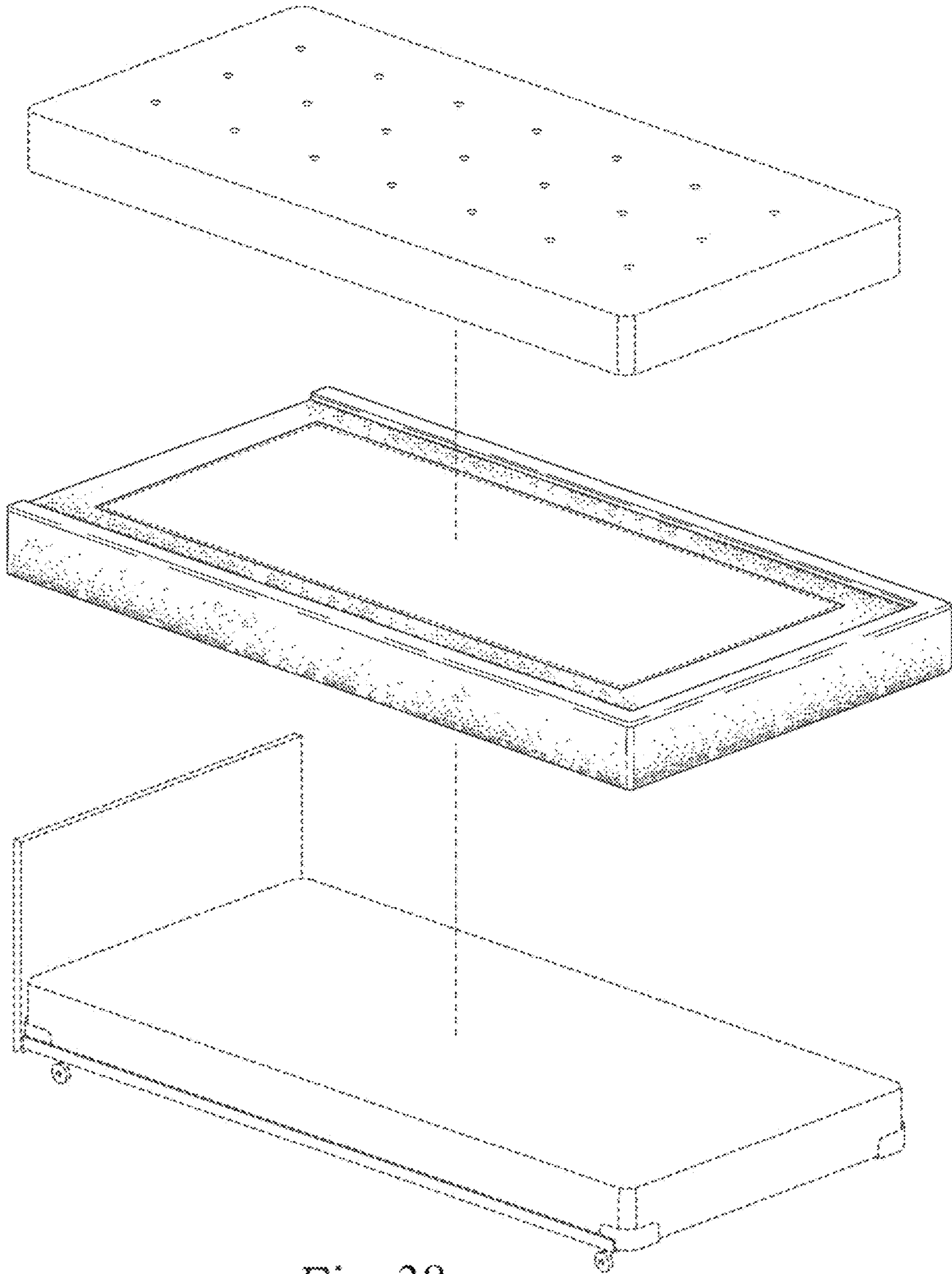


Fig. 38