



US00D927887S

(12) **United States Design Patent** (10) **Patent No.:** **US D927,887 S**
Bruhn et al. (45) **Date of Patent:** **** Aug. 17, 2021**

- (54) **DECORATIVE PILLOWCASE**
- (71) Applicant: **Maroma Inspirations, LLC**, Lee's Summit, MO (US)
- (72) Inventors: **Christopher M. Bruhn**, Lee's Summit, MO (US); **Emily Kerby**, Lee's Summit, MO (US)
- (73) Assignee: **Maroma Inspirations, LLC**, Lee's Summit, MO (US)
- (**) Term: **15 Years**
- (21) Appl. No.: **29/673,341**
- (22) Filed: **Dec. 13, 2018**
- (51) **LOC (13) Cl.** **06-09**
- (52) **U.S. Cl.**
USPC **D6/601**
- (58) **Field of Classification Search**
USPC D6/582-583, 587-592, 595-609, D6/617-622; D21/803-809; D24/183
CPC A47G 9/00; A47G 2009/001; A47G 2009/002; A47G 2009/003; A47G 9/10; A47G 9/1009; A47G 2009/1018; A47G 9/1045; A47G 9/1081; A47G 9/109
See application file for complete search history.

D702,971 S *	4/2014	Mitchell	D6/601
D728,271 S *	5/2015	Cohen	D6/601
D832,617 S *	11/2018	Soto-Camacho	D6/601
2012/0222218 A1 *	9/2012	Davis	A47G 9/1072 5/490
2014/0196214 A1 *	7/2014	DuPre	A47G 9/0253 5/644
2016/0135623 A1 *	5/2016	Montzka	A47G 9/0253 5/490

* cited by examiner

Primary Examiner — Jennifer L Rempfer

(74) *Attorney, Agent, or Firm* — Polsinelli PC; Adam C. Rehm

(57) **CLAIM**

The ornamental design for a decorative pillowcase, as shown and described.

DESCRIPTION

FIG. 1 is a front, top side perspective view of a decorative pillowcase according to an embodiment of the new design; FIG. 2 is a front side elevation view thereof; FIG. 3 is a rear side elevation view thereof; FIG. 4 is a right side elevation view thereof; FIG. 5 is a left side elevation view thereof; FIG. 6 is a top plan view thereof; and, FIG. 7 is a bottom plan view thereof.

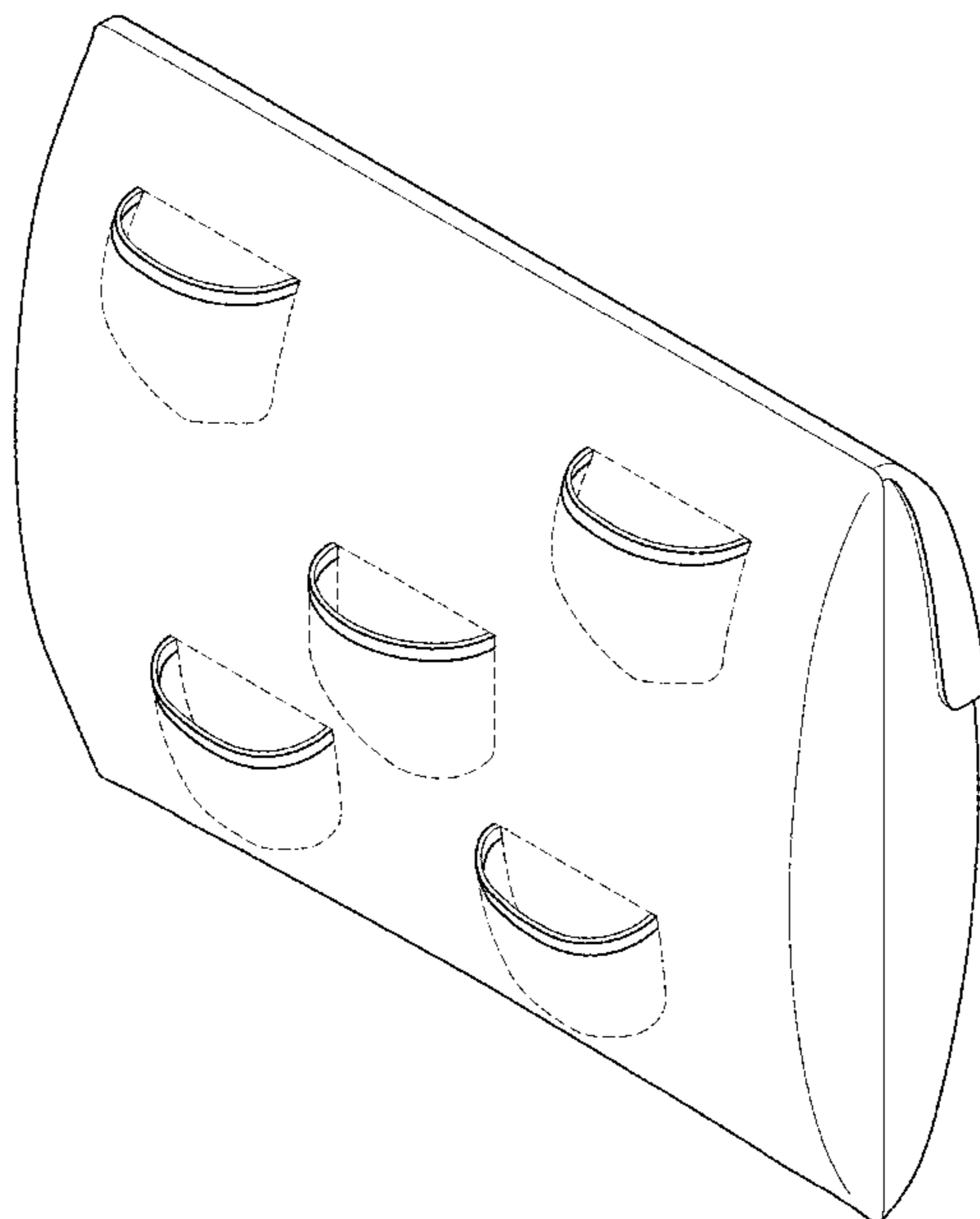
The broken lines shown in the drawings show portions of the decorative pillowcase that form no part of the claimed design. In particular, the area within the broken lines immediately below the exterior pocket trim forms no part of the claimed design. The broken lines immediately adjacent to the exterior pocket trim on the pillowcase side are feature lines that also form no part of the claimed design. Further, the broken lines on the rear side of the decorative pillowcase are features that form no part of the claimed design.

1 Claim, 5 Drawing Sheets

(56) **References Cited**

U.S. PATENT DOCUMENTS

D346,086 S *	4/1994	Jones	5/485
6,267,638 B1 *	7/2001	Connolly	A47G 9/0253 446/227
D448,960 S *	10/2001	Leverette	D6/596
D461,988 S *	8/2002	Sandbeck	D6/595
D482,923 S *	12/2003	Gaines	D6/601
D613,543 S *	4/2010	Tinker, Sr.	D6/601
D651,841 S *	1/2012	Nayman	D6/601



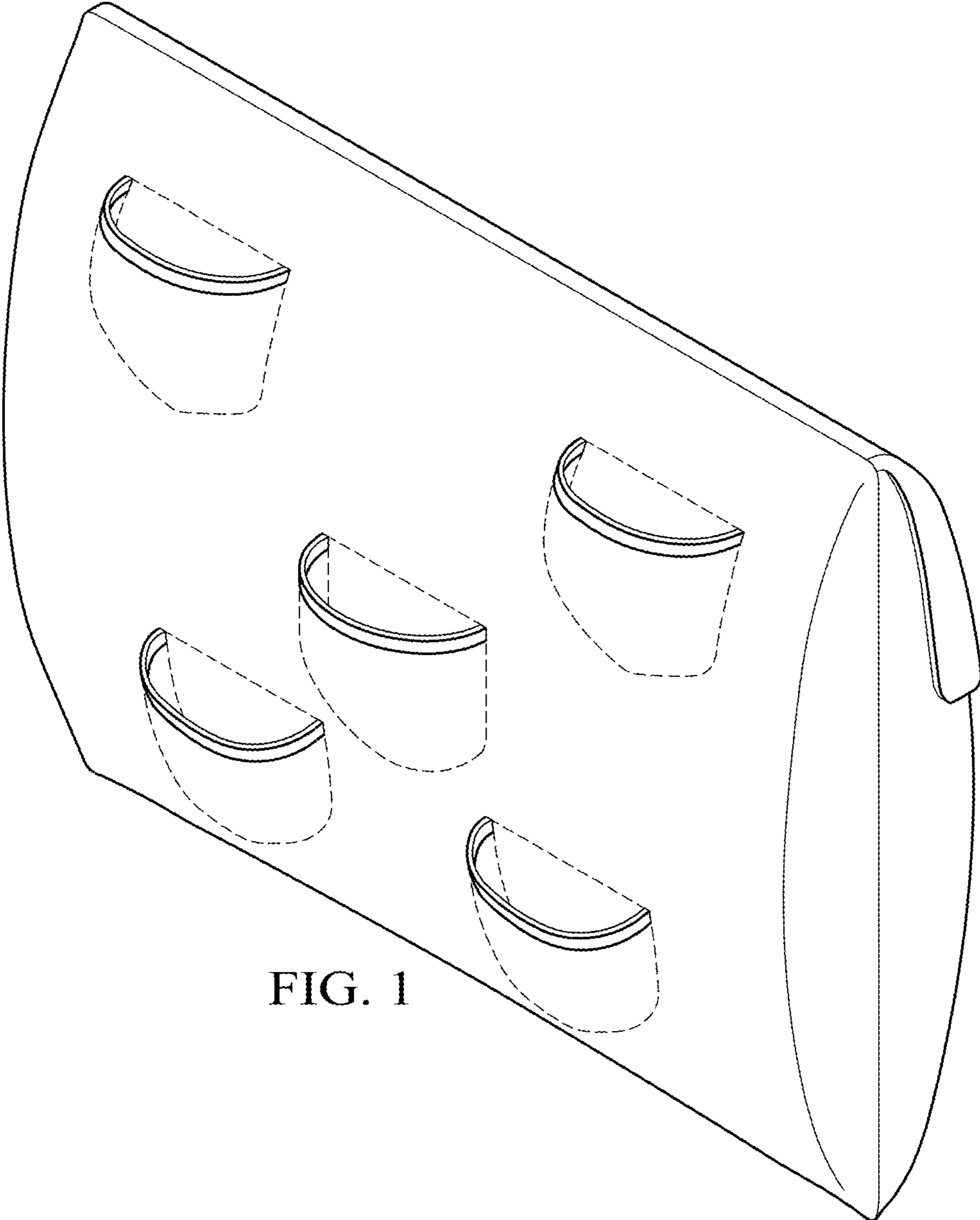


FIG. 1

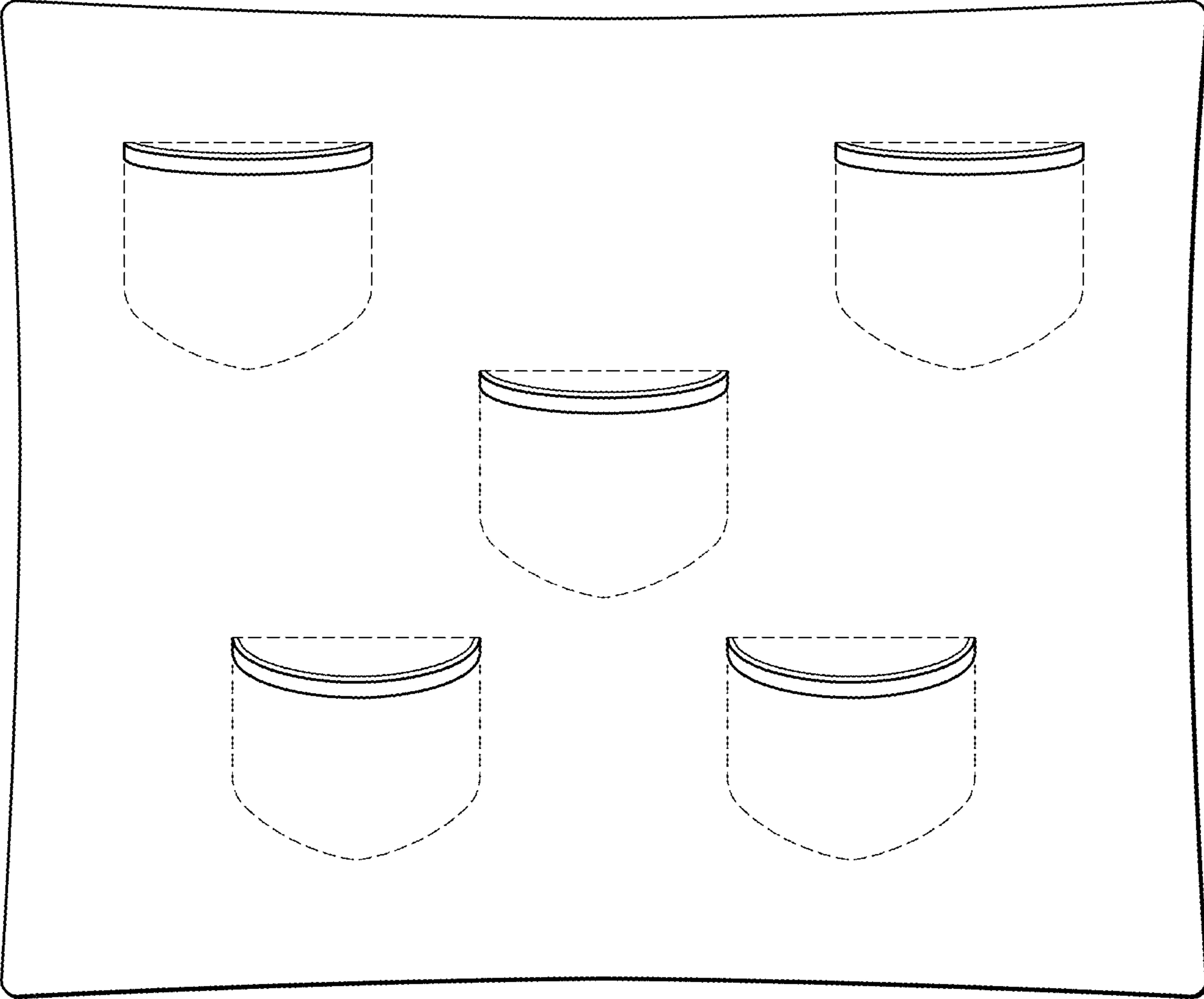


FIG. 2

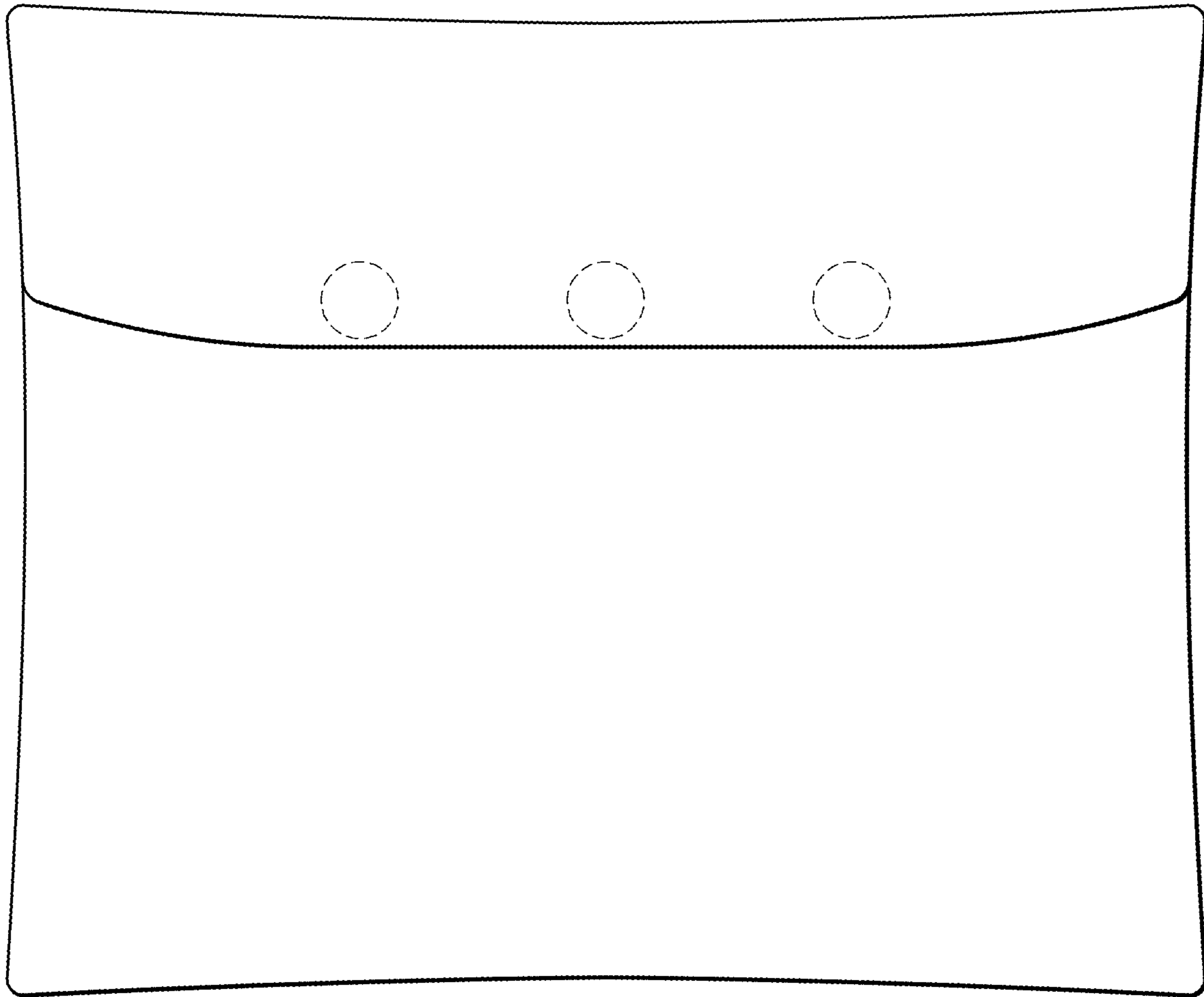


FIG. 3

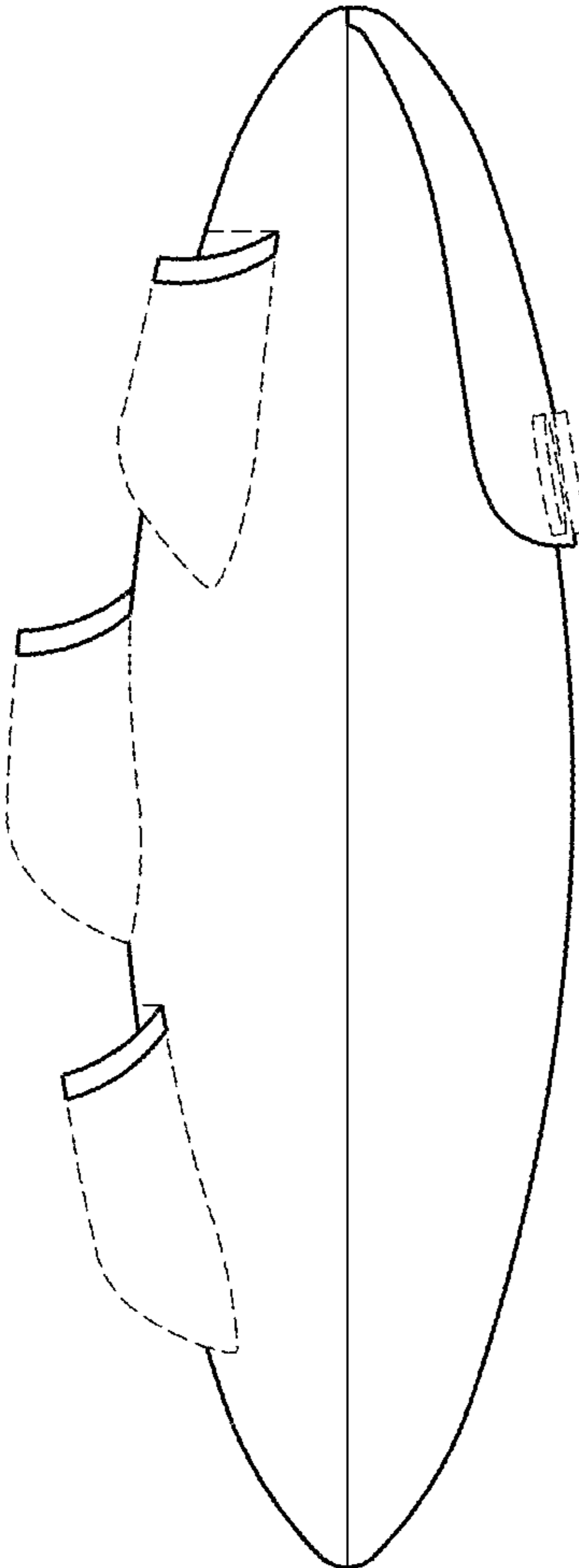


FIG. 4

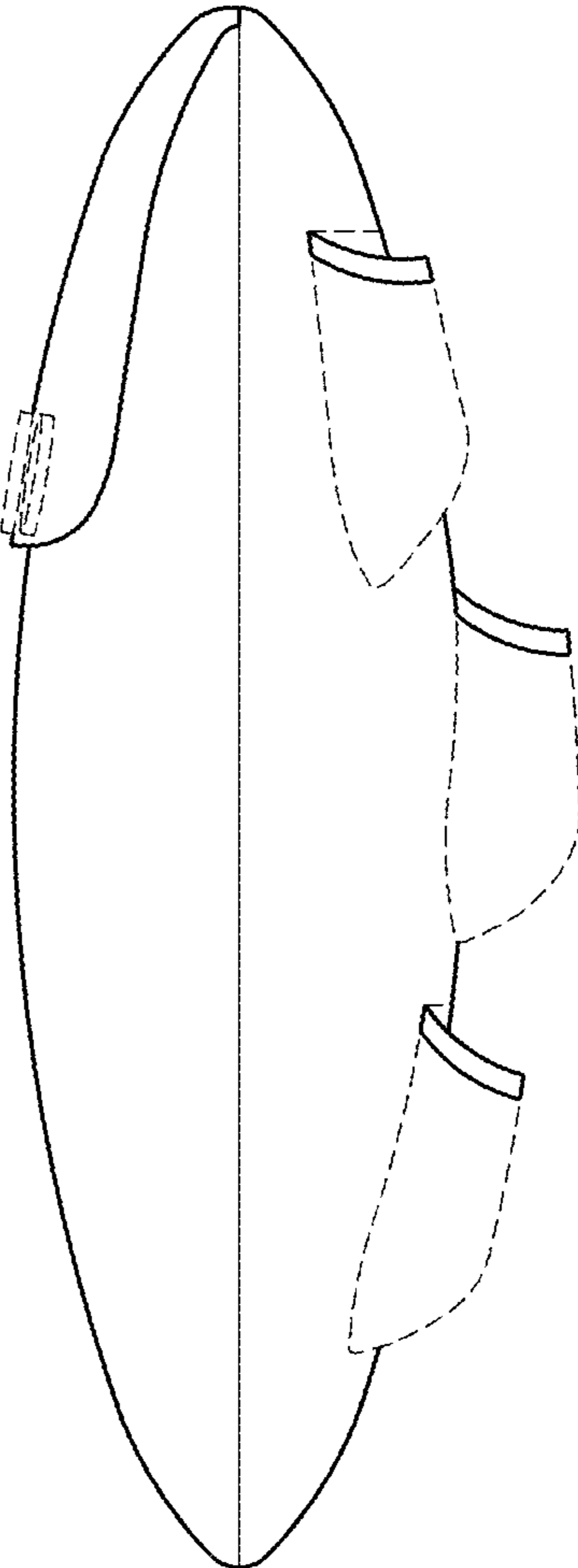


FIG. 5

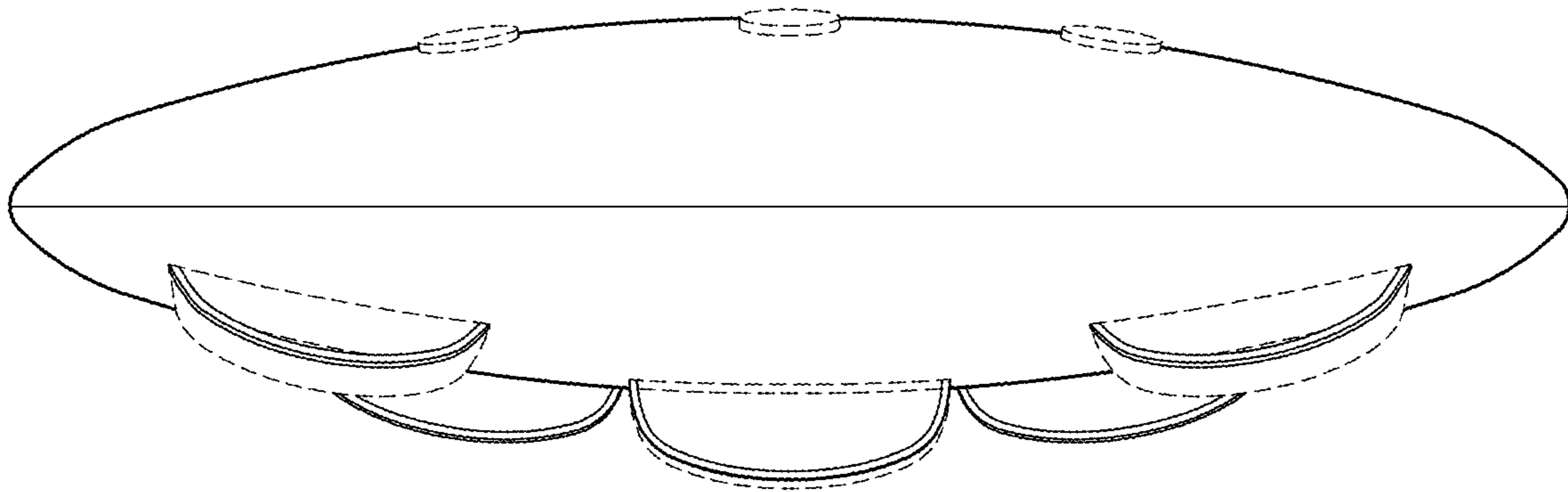


FIG. 6

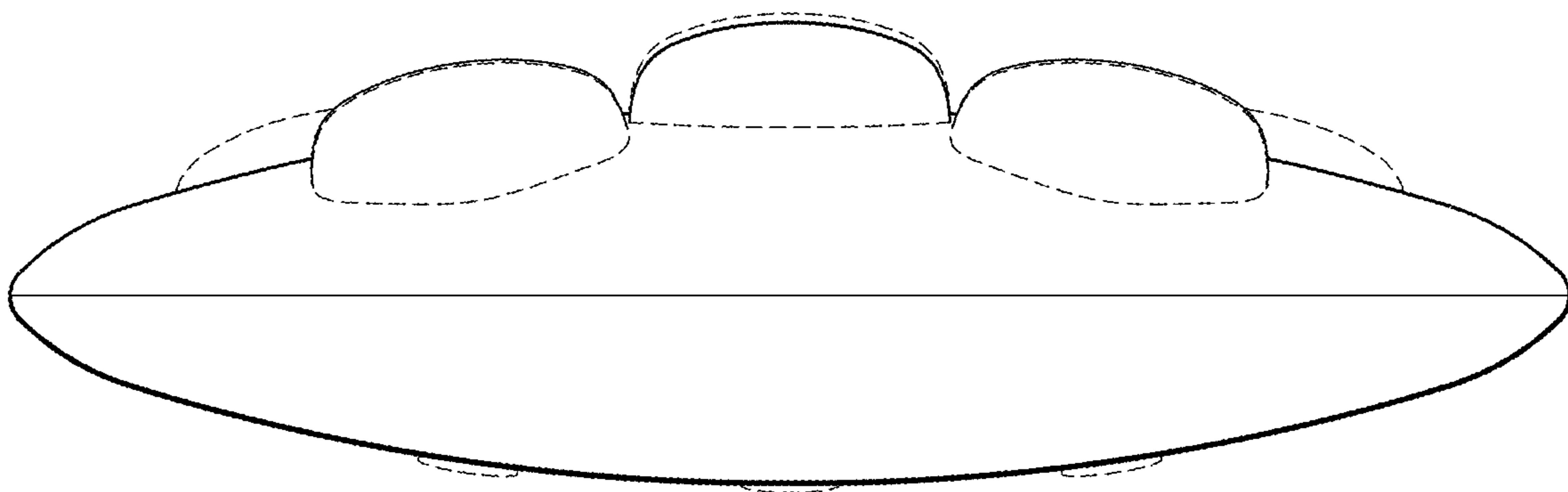


FIG. 7