



US00D927884S

(12) **United States Design Patent** (10) **Patent No.:** **US D927,884 S**
Worden, IV et al. (45) **Date of Patent:** **** Aug. 17, 2021**

(54) **SHOWER CADDY ATTACHMENT**

(71) Applicant: **Helen of Troy Limited**, St. Michael (BB)

(72) Inventors: **Morris Worden, IV**, New York, NY (US); **William J. Merrill**, Brooklyn, NY (US); **Conor McNamara**, Montclair, NJ (US); **Daniel Juda**, Brooklyn, NY (US)

(73) Assignee: **Helen of Troy Limited**, St. Michael (BB)

(**) Term: **15 Years**

(21) Appl. No.: **29/726,260**

(22) Filed: **Mar. 2, 2020**

(51) **LOC (13) Cl.** **23-02**

(52) **U.S. Cl.**
USPC **D6/525**

(58) **Field of Classification Search**
USPC D6/525, 524, 527, 566, 536, 540;
211/13.1, 71.01, 74, 86.01, 75, 88.01,
211/90.01, 90.03, 106, 119, 126.1, 133.5,
211/134, 181.1; 4/605
CPC A47K 17/00; A47K 3/281; A47K 3/001;
A47B 57/265; A47B 57/565; A47B 57/26
See application file for complete search history.

(56) **References Cited**

U.S. PATENT DOCUMENTS

D683,165 S *	5/2013	Yang	D6/525
D769,641 S *	10/2016	Yang	D6/525
D770,197 S *	11/2016	Yang	D6/525
D805,318 S *	12/2017	Umholtz	D6/525
D806,434 S *	1/2018	Yang	D6/525
2020/0281414 A1 *	9/2020	Worden, IV	A47K 3/281

* cited by examiner

Primary Examiner — Wan Laymon

Assistant Examiner — Mark Booker

(74) *Attorney, Agent, or Firm* — Rankin, Hill & Clark LLP

(57) **CLAIM**

The ornamental design for a shower caddy attachment, as shown and described.

DESCRIPTION

FIG. 1 is a perspective view of a new, original and ornamental design for a shower caddy attachment, mounting arms of the exemplary shower caddy attachment shown in a rest state or position;

FIG. 2 is a front elevation view of FIG. 1;

FIG. 3 is a rear elevation view of FIG. 1;

FIG. 4 is a right side elevation view of FIG. 1;

FIG. 5 is a left side elevation view of FIG. 1;

FIG. 6 is a top plan view of FIG. 1;

FIG. 7 is a bottom plan view of FIG. 1;

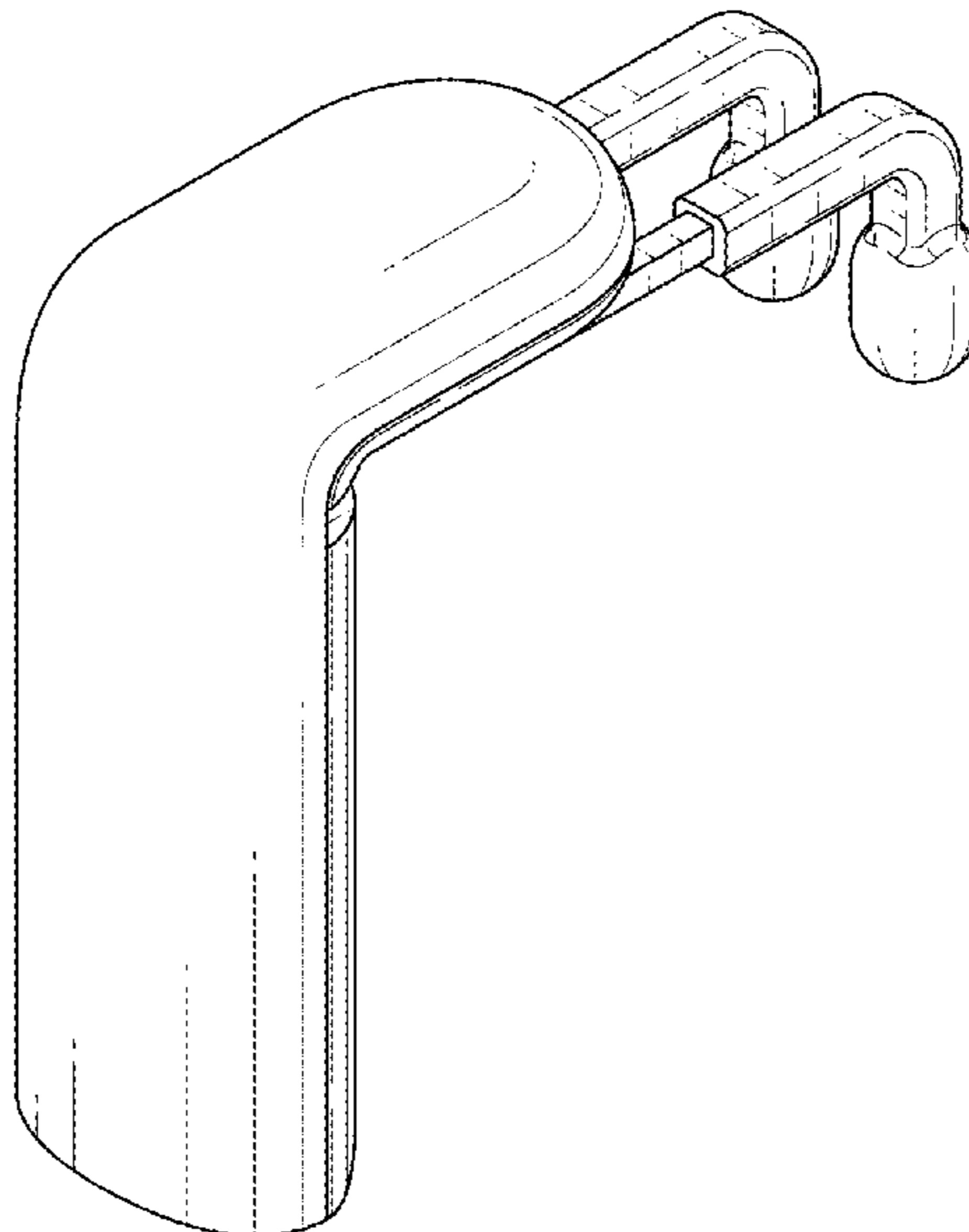
FIG. 8 a perspective view of the exemplary shower caddy attachment of FIG. 1 together with an associated shower caddy;

FIG. 9 is a perspective view of the exemplary shower caddy attachment with the mounting arms in an open or engagement state or position; and,

FIG. 10 a perspective view of the exemplary shower caddy attachment of FIG. 9 together with the associated shower caddy.

The broken lines shown in the figures represent portions of the shower caddy attachment that form no part of the claimed design. The broken lines shown in FIGS. 8 and 10 represent environment and do not form part of the claimed design.

1 Claim, 7 Drawing Sheets



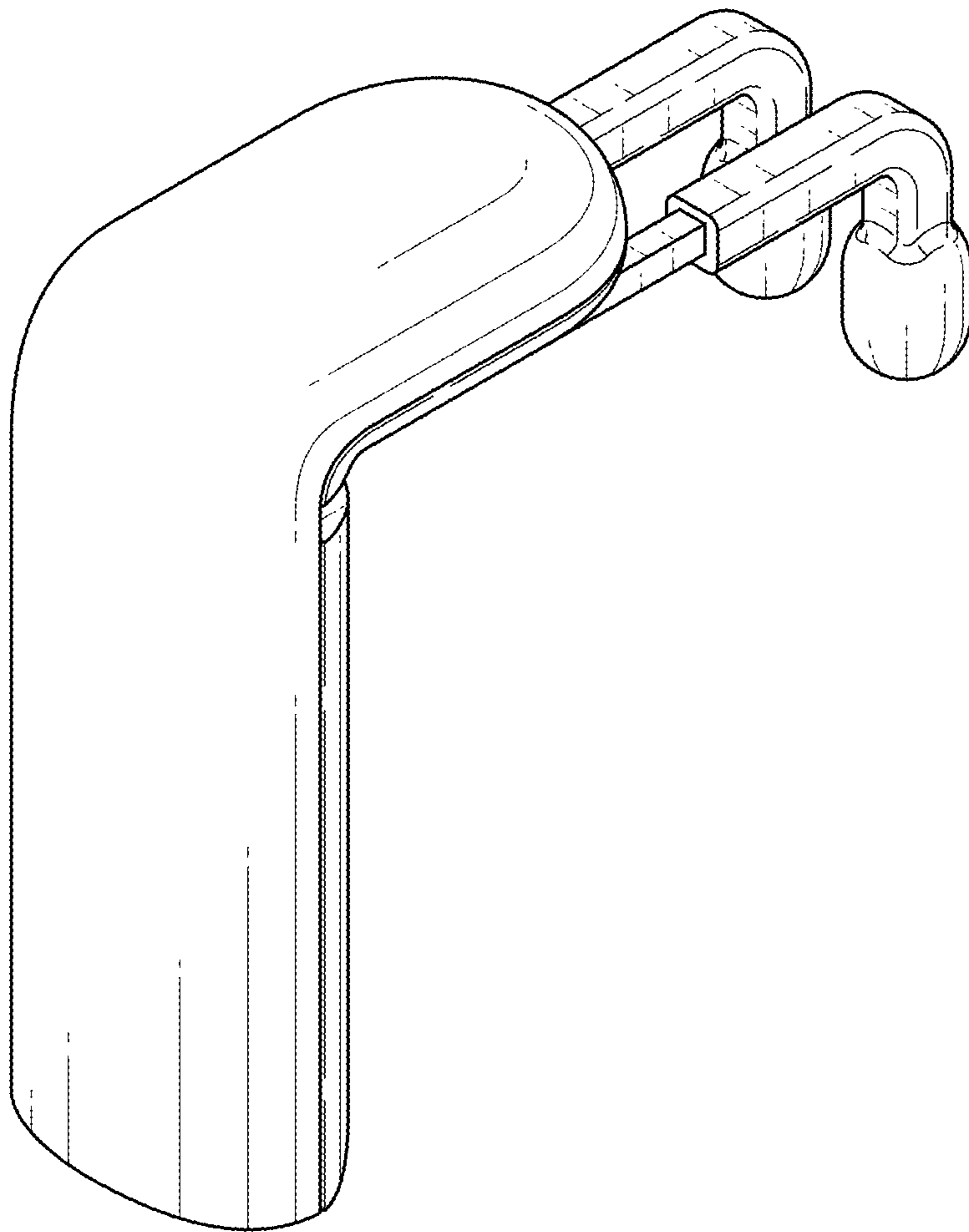


FIG. 1

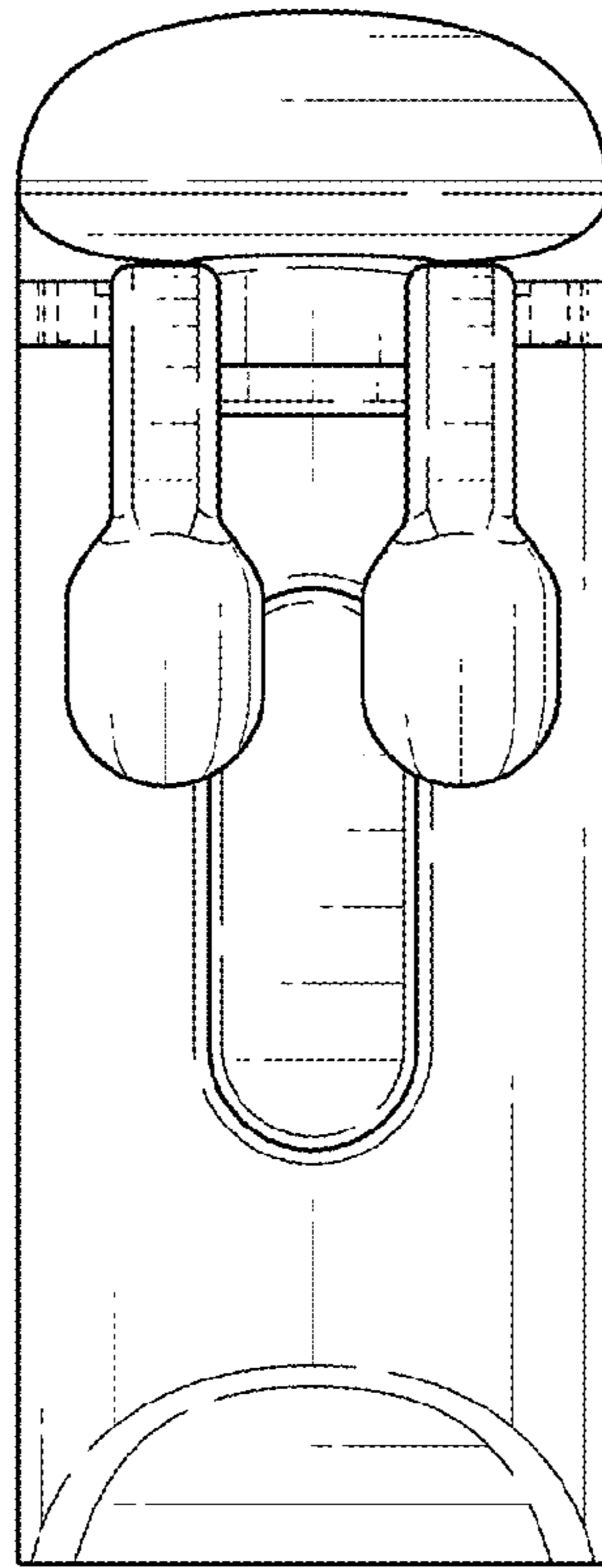


FIG. 2

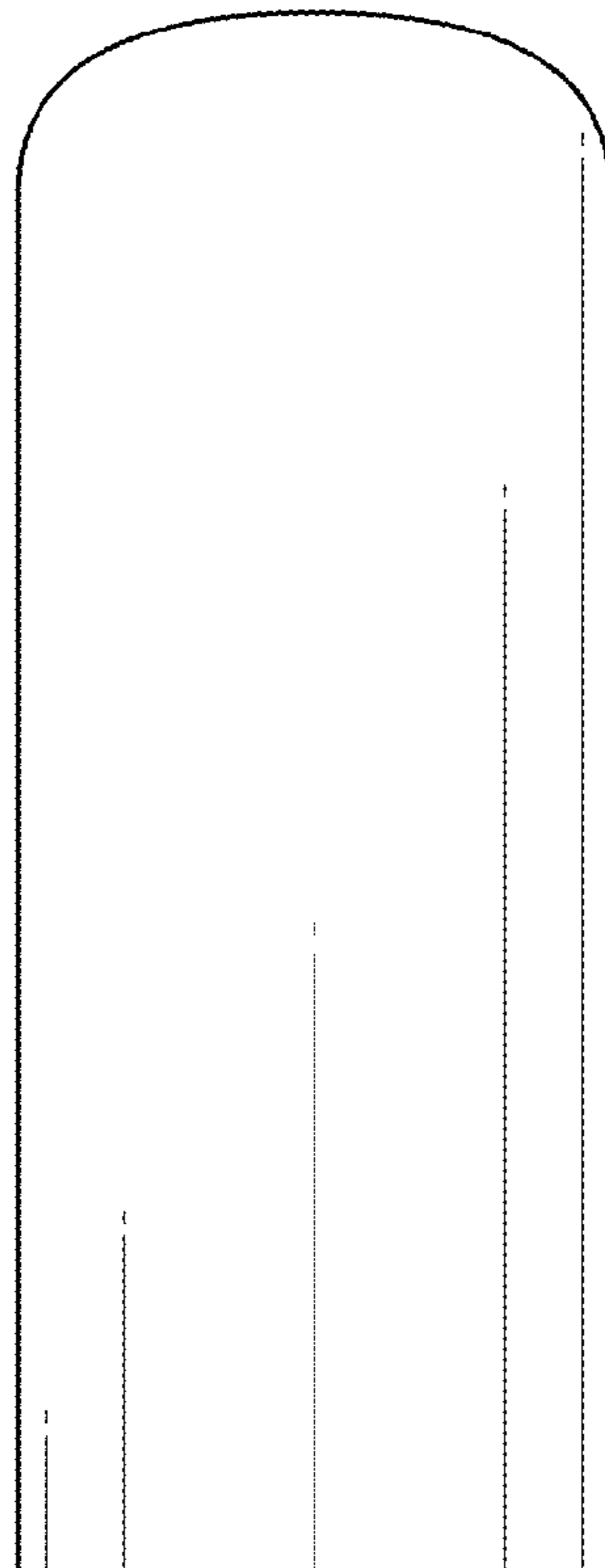


FIG. 3

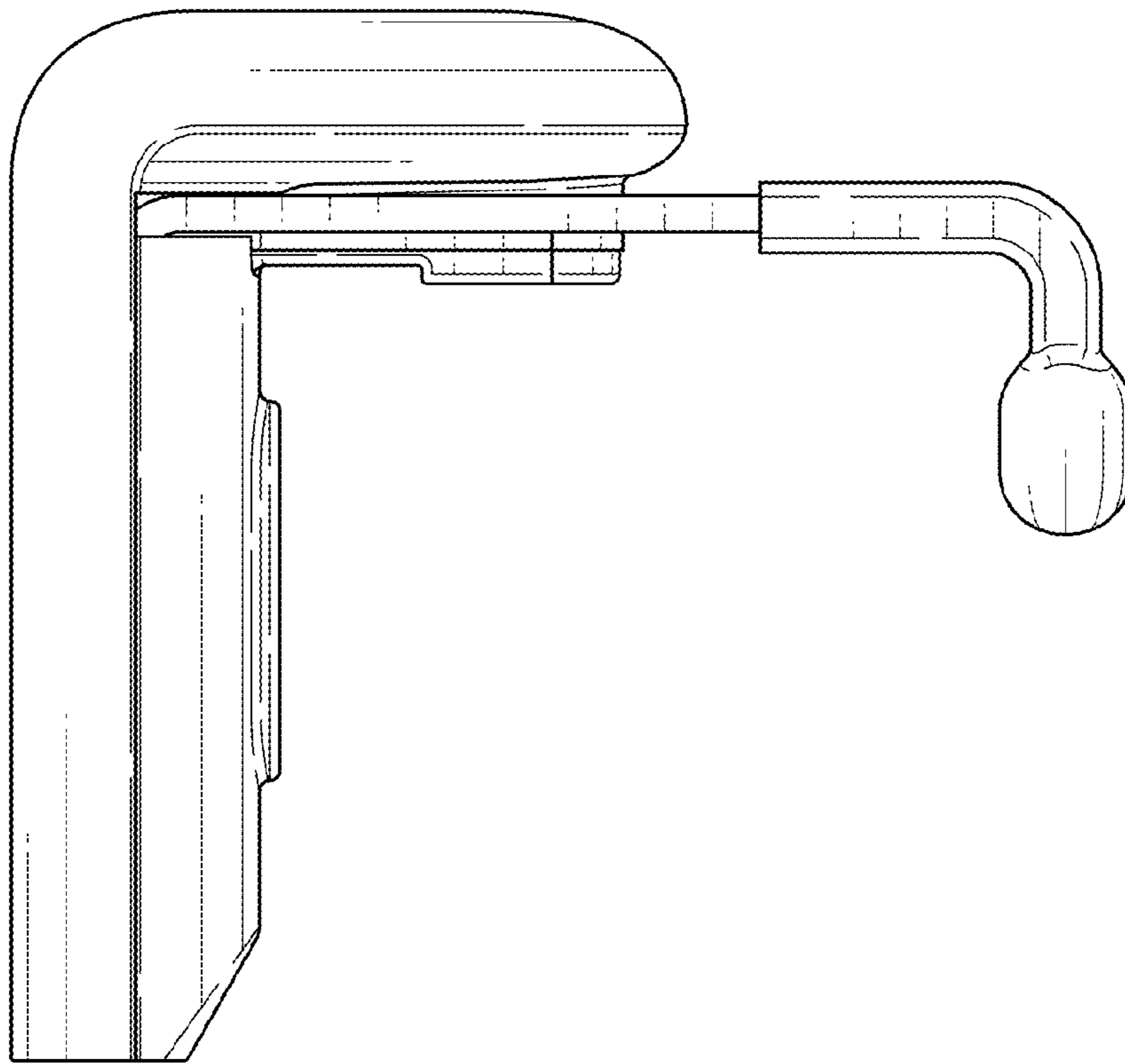


FIG. 4

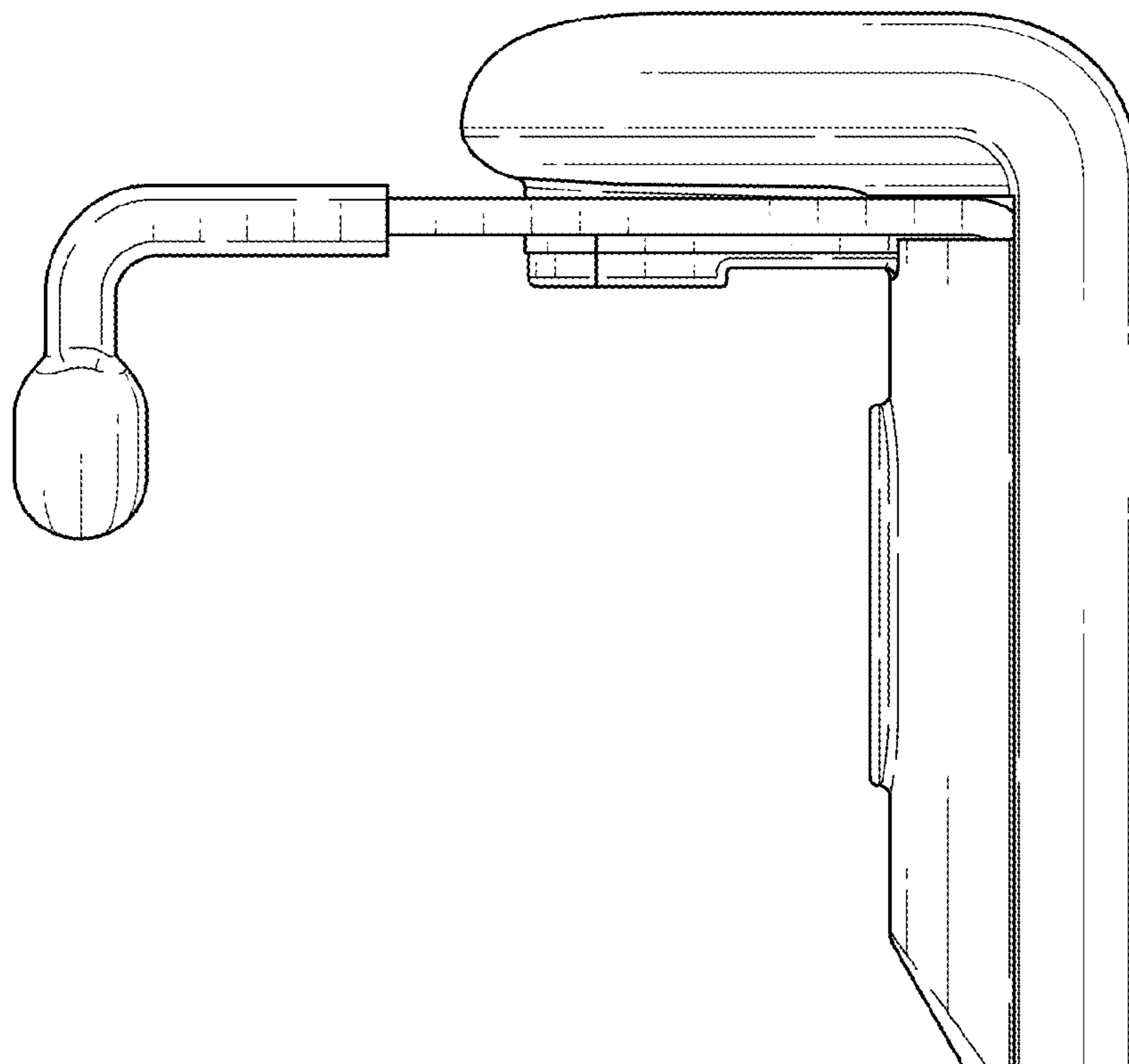


FIG. 5

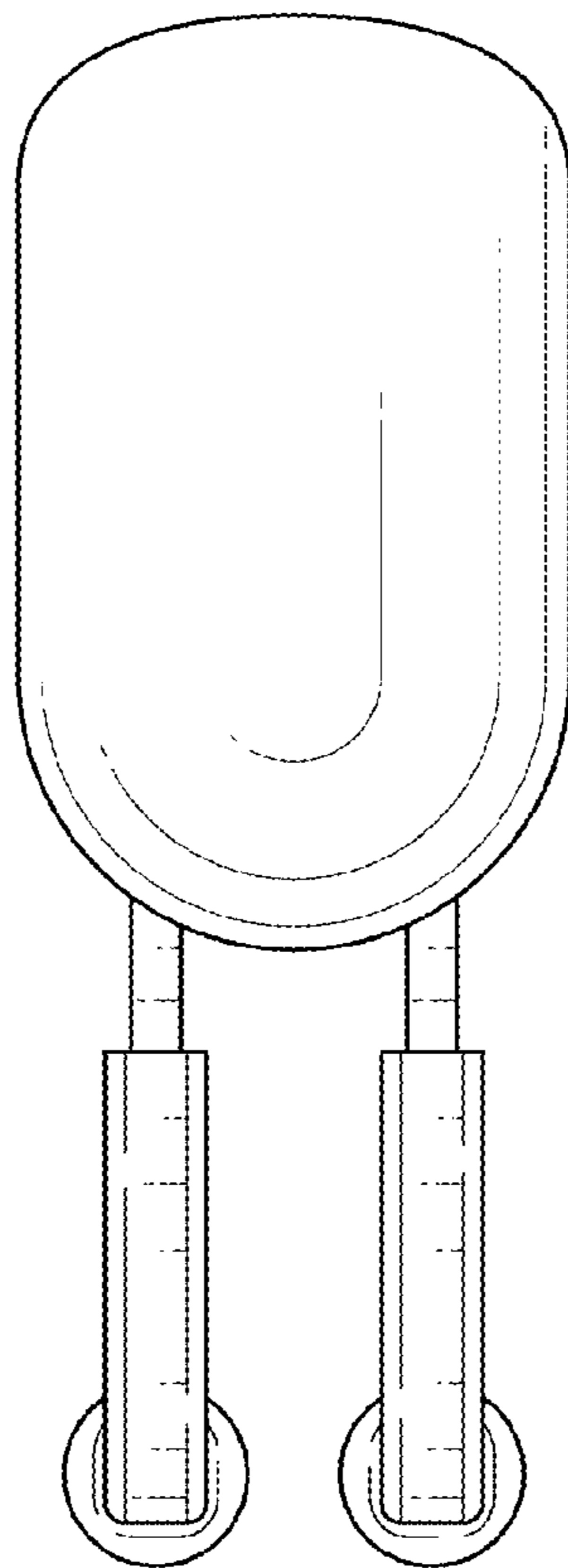


FIG. 6

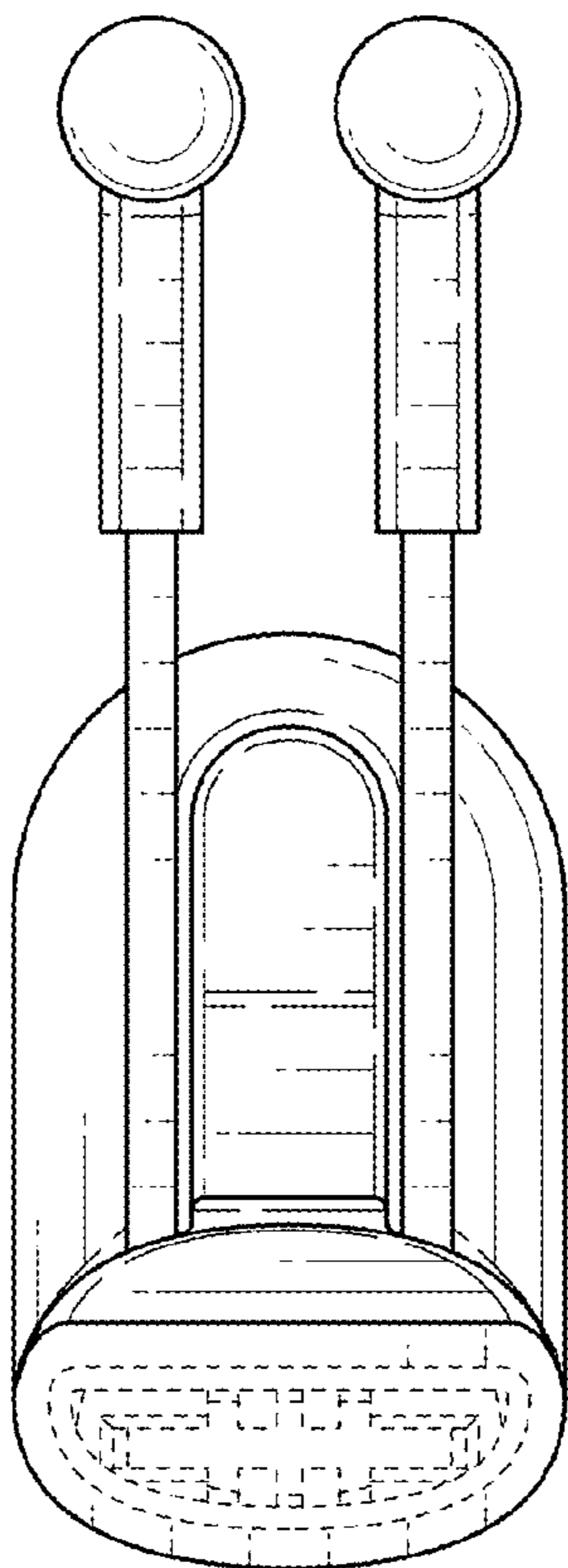


FIG. 7

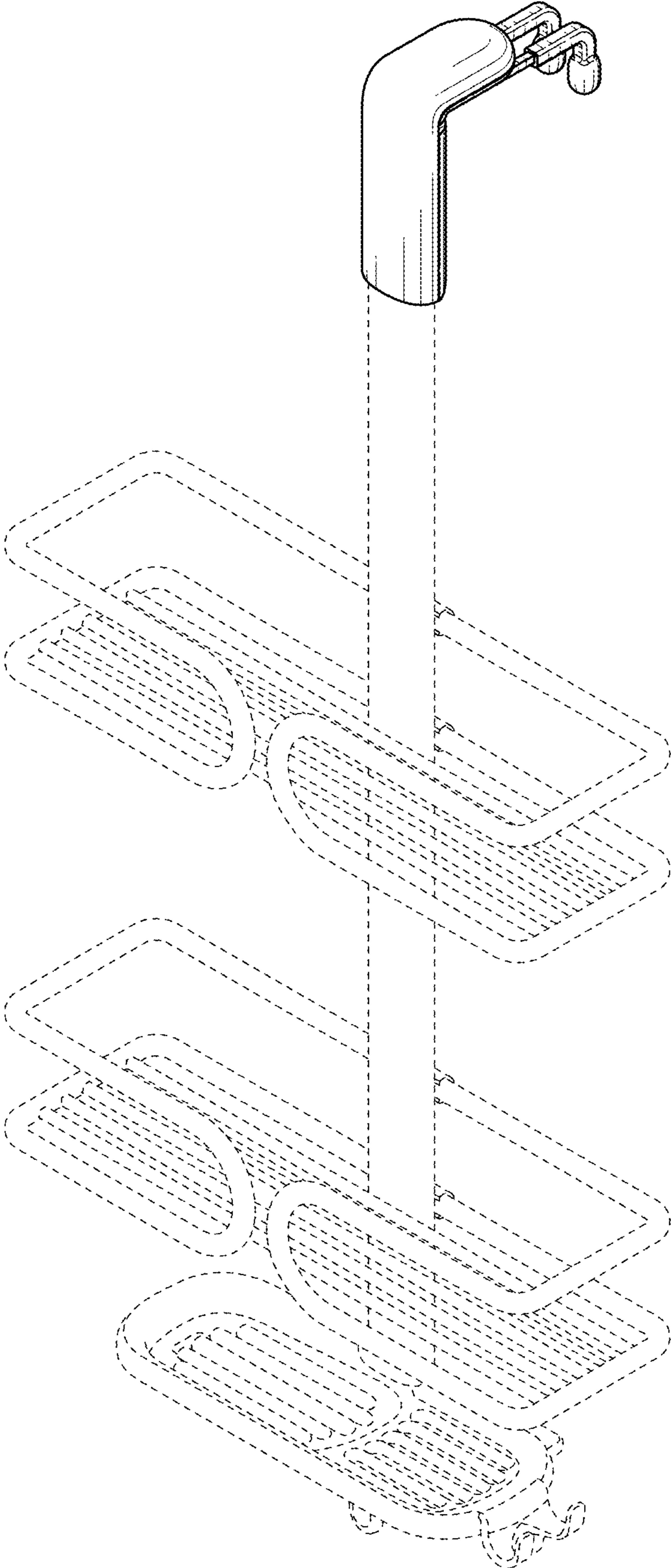


FIG. 8

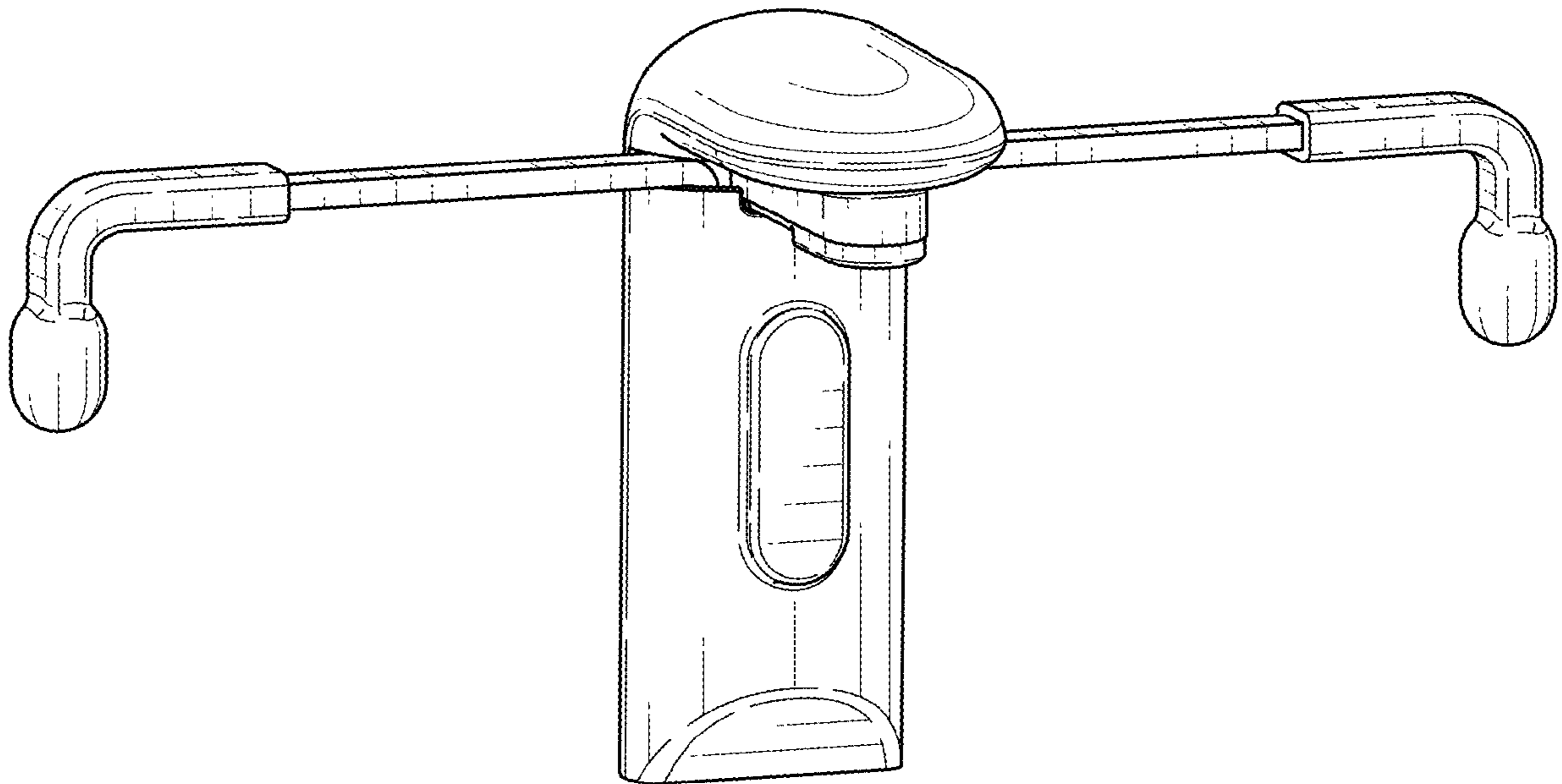


FIG. 9

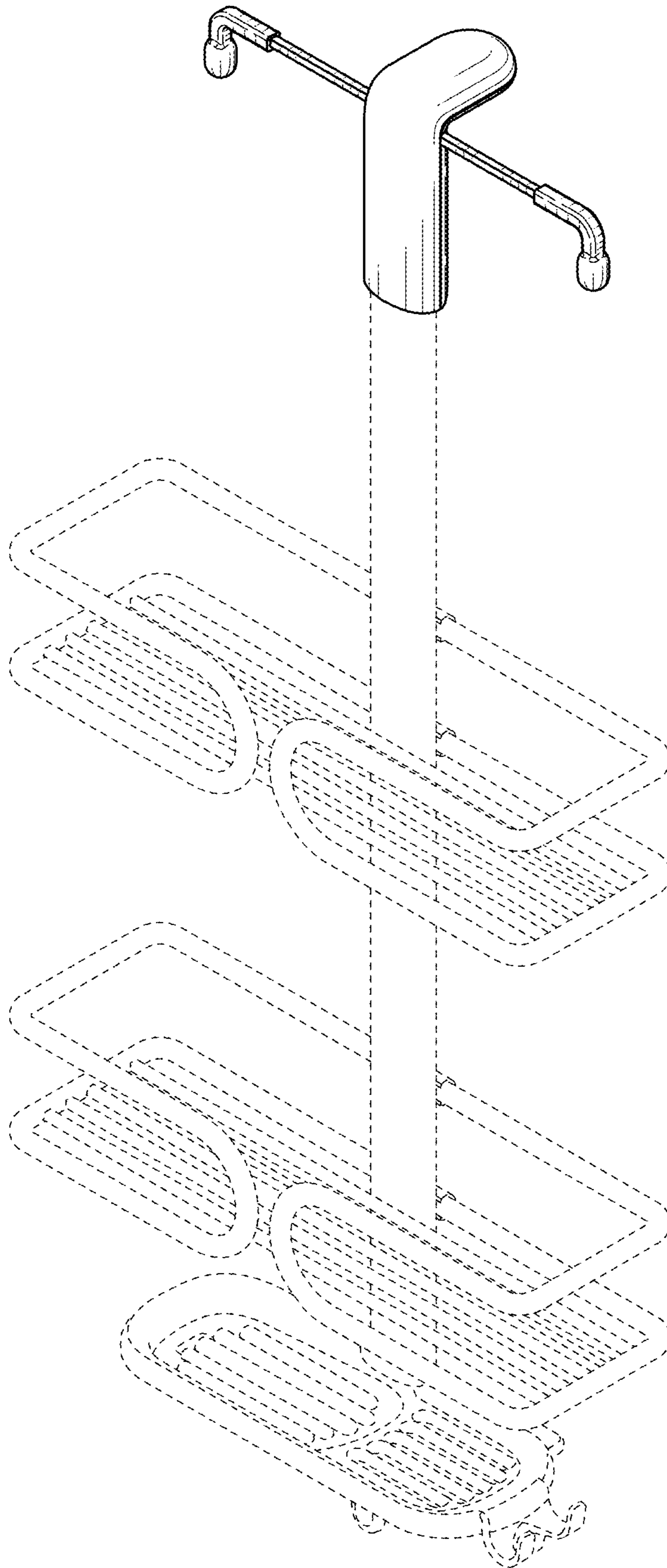


FIG. 10