



US00D927882S

(12) **United States Design Patent**  
**Hu**

(10) **Patent No.:** **US D927,882 S**

(45) **Date of Patent:** **\*\* Aug. 17, 2021**

- (54) **BABY BASKET**
- (71) Applicant: **Qingdao Sunveno Maternal and Child Supplies Co., Ltd., Qingdao (CN)**
- (72) Inventor: **Lian Jun Hu, Qingdao (CN)**
- (73) Assignee: **Qingdao Sunveno Maternal and Child Supplies Co., Ltd., Qingdao (CN)**

- 2,628,358 A \* 2/1953 Neils ..... A47D 13/02  
2/69.5
- 2,689,672 A \* 9/1954 Thompson ..... A47D 13/02  
224/158
- 3,096,917 A \* 7/1963 Gudiksen ..... A47D 15/003  
294/140
- D232,137 S \* 7/1974 Peltier ..... D6/333
- 4,571,760 A \* 2/1986 Kassai ..... A47D 13/02  
5/98.1
- 4,717,056 A \* 1/1988 Carmichael ..... A47D 13/02  
2/69.5

(\*\*) Term: **15 Years**

(Continued)

(21) Appl. No.: **29/684,462**

**OTHER PUBLICATIONS**

(22) Filed: **Mar. 21, 2019**

“YouTube—Sunveno Foldable Travel Carry Cot.” Found online Mar. 23, 2021 at [www.youtube.com](http://www.youtube.com). Video published May 29, 2019. Retrieved from URL: <https://www.youtube.com/watch?v=7keKdbNWKRE> (Year: 2019).\*

(30) **Foreign Application Priority Data**

(Continued)

Jan. 28, 2019 (CN) ..... 201930047192.5

(51) **LOC (13) Cl.** ..... **06-02**

(52) **U.S. Cl.**  
USPC ..... **D6/390; D6/388**

(58) **Field of Classification Search**  
USPC ... D6/331, 333, 388, 390, 391, 718.26, 356,  
D6/389; D3/213  
CPC ..... A47D 7/00; A47D 7/002; A47D 7/005;  
A47D 7/01; A47D 9/00; A47D 9/005;  
A47D 13/02; A47D 13/06; A47D 13/061;  
A47D 13/063; A47D 13/066; A47D  
13/068; A47D 5/006; B60N 2/2854  
See application file for complete search history.

*Primary Examiner* — Mary Ann Calabrese  
*Assistant Examiner* — Katelin G Kloberg  
(74) *Attorney, Agent, or Firm* — Alan D. Kamrath; Karin L. Williams; Mayer & Williams PC

(57) **CLAIM**

The ornamental design for a baby basket, as shown and described.

**DESCRIPTION**

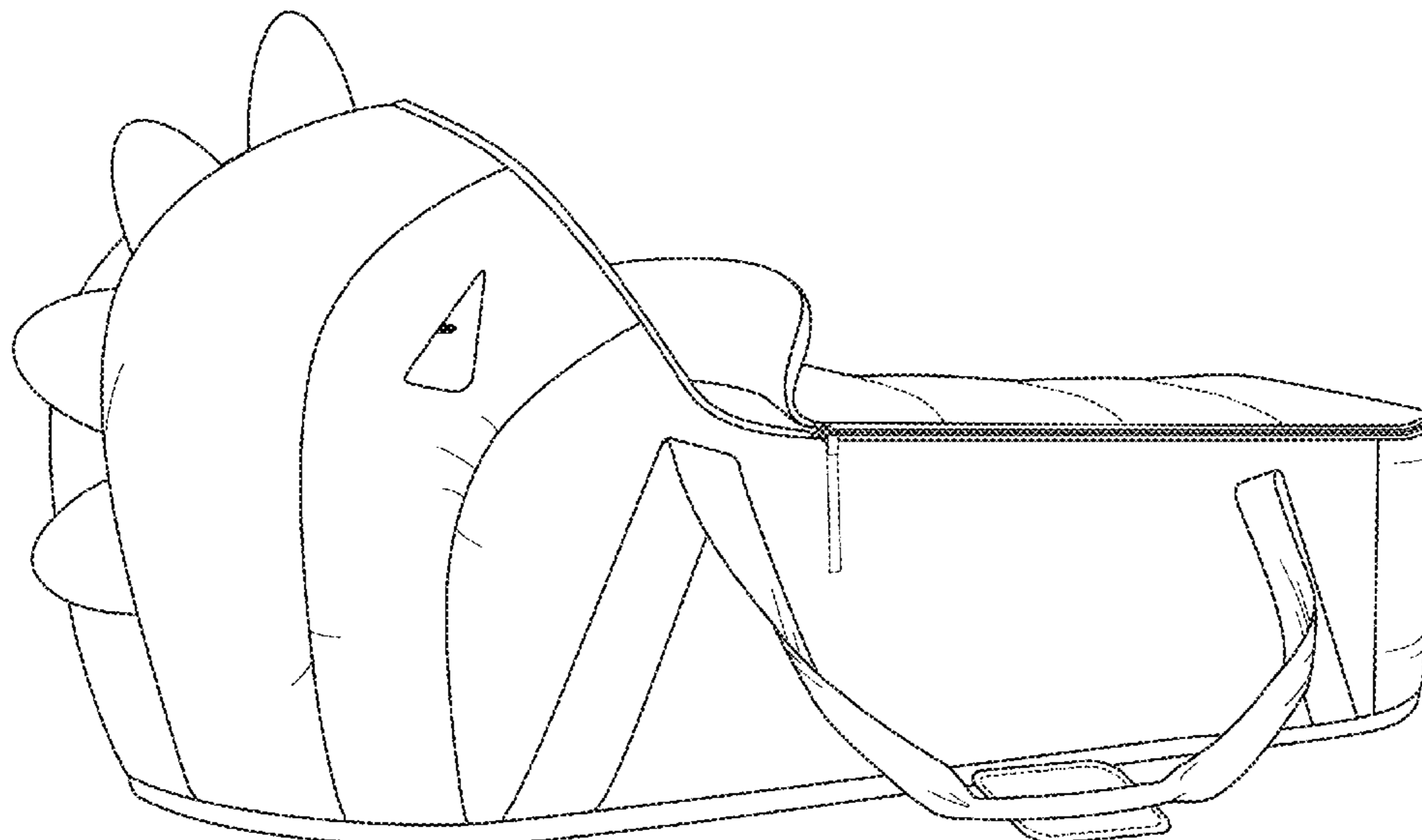
FIG. 1 is a perspective view of a baby basket showing our new design;  
FIG. 2 is a right side view thereof;  
FIG. 3 is a top plan view thereof;  
FIG. 4 is a front perspective view thereof;  
FIG. 5 is a rear perspective view thereof; and,  
FIG. 6 is a left side view thereof.  
The broken lines shown in the drawings depict portions of the baby basket and form no part of the claimed design.

(56) **References Cited**

**U.S. PATENT DOCUMENTS**

- 1,261,951 A \* 4/1918 MacGowen ..... B60N 2/2854  
5/94
- 1,363,667 A \* 12/1920 Mahr ..... B60N 2/2854  
5/94
- 2,551,509 A \* 5/1951 Smith ..... A47D 13/02  
294/140

**1 Claim, 6 Drawing Sheets**



(56)

**References Cited**

U.S. PATENT DOCUMENTS

D333,389 S \* 2/1993 Saito ..... D6/333  
 D333,599 S \* 3/1993 Wojtkiewicz ..... D3/213  
 5,333,769 A \* 8/1994 Skroski ..... A47D 5/006  
 224/148.5  
 5,819,341 A \* 10/1998 Simantob ..... A47C 9/002  
 5/98.1  
 D412,071 S \* 7/1999 Brandis, Jr. .... D6/388  
 6,354,475 B1 \* 3/2002 Grace ..... A47D 13/02  
 224/158  
 D463,921 S \* 10/2002 Shillam ..... D3/213  
 6,470,516 B2 \* 10/2002 Lopez, Jr. .... A47D 9/005  
 5/101  
 6,594,840 B2 \* 7/2003 Tomas ..... A47D 9/00  
 5/101  
 6,893,445 B1 \* 5/2005 Revie ..... A61B 17/8808  
 606/94  
 D518,971 S \* 4/2006 McCoy ..... D6/388  
 D575,535 S \* 8/2008 Bizzell ..... D6/333

D577,918 S \* 10/2008 Bizzell ..... D6/333  
 D681,966 S \* 5/2013 Slotteroy ..... D6/333  
 D896,534 S \* 9/2020 Page ..... D6/333  
 D898,405 S \* 10/2020 Bowers ..... D6/391  
 D900,501 S \* 11/2020 Hu ..... D6/390

OTHER PUBLICATIONS

“SUNVENO Baby Bed.” Found online Mar. 23, 2021 at www.amazon.com. Product first available Jan. 13, 2020. Retrieved from URL: <https://www.amazon.in/SUNVENO-Lounger-Bassinet-Bedside-Carrycot/dp/B07SRBWCGS> (Year: 2020).\*

“Lulyboo to Go Baby Lounge.” Found online Mar. 23, 2021 at www.amazon.com. Customer question answered Oct. 20, 2013. Retrieved from URL: <https://tinyurl.com/zbv93tjb> (Year: 2013).\*

“Mod Carry Cot Portable Baby Lounge.” Found online Mar. 23, 2021 at www.amazon.com. Product reviewed Oct. 12, 2018. Retrieved from URL: <https://tinyurl.com/6ccwwjuv> (Year: 2018).\*

\* cited by examiner

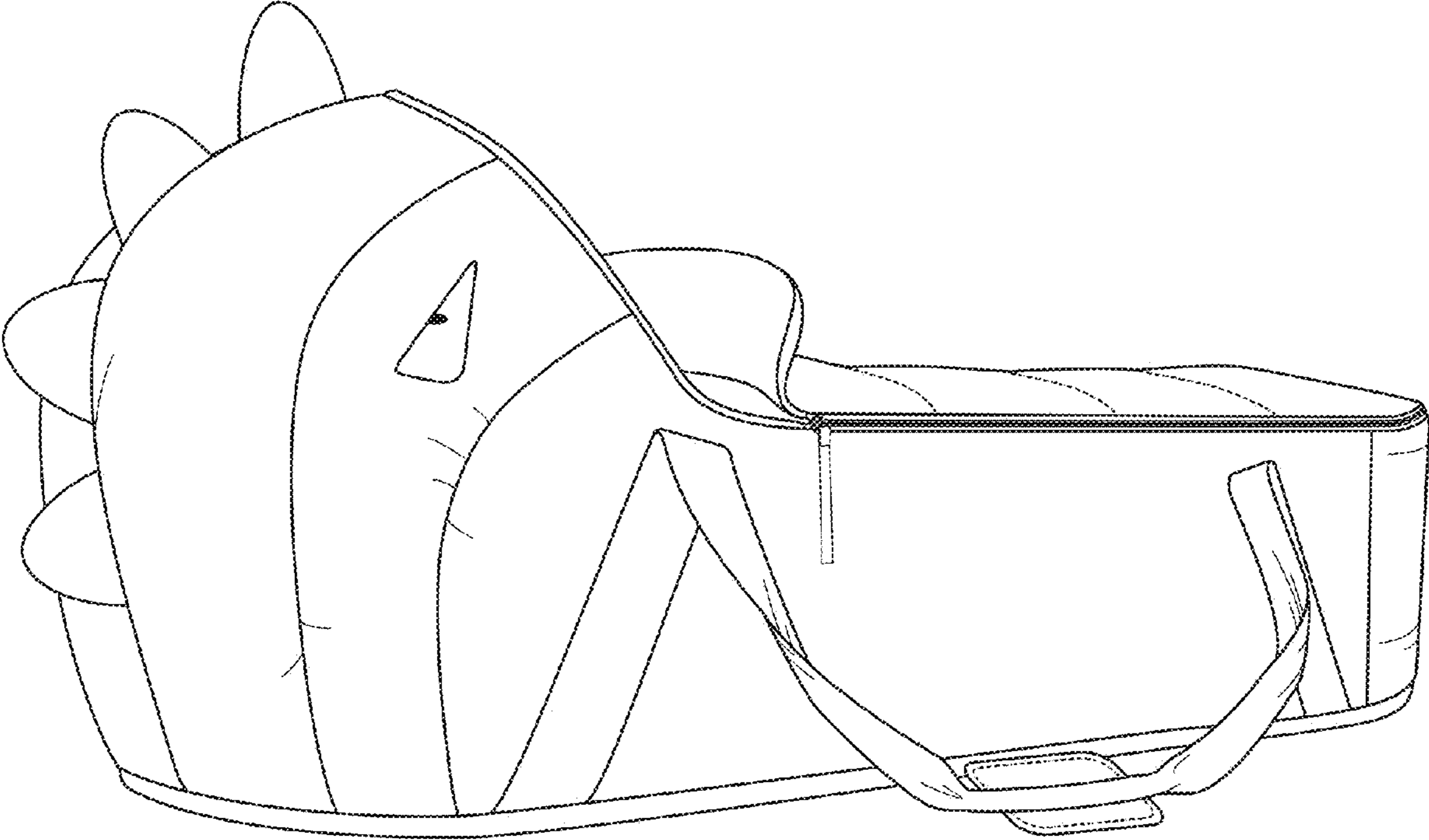


Fig. 1

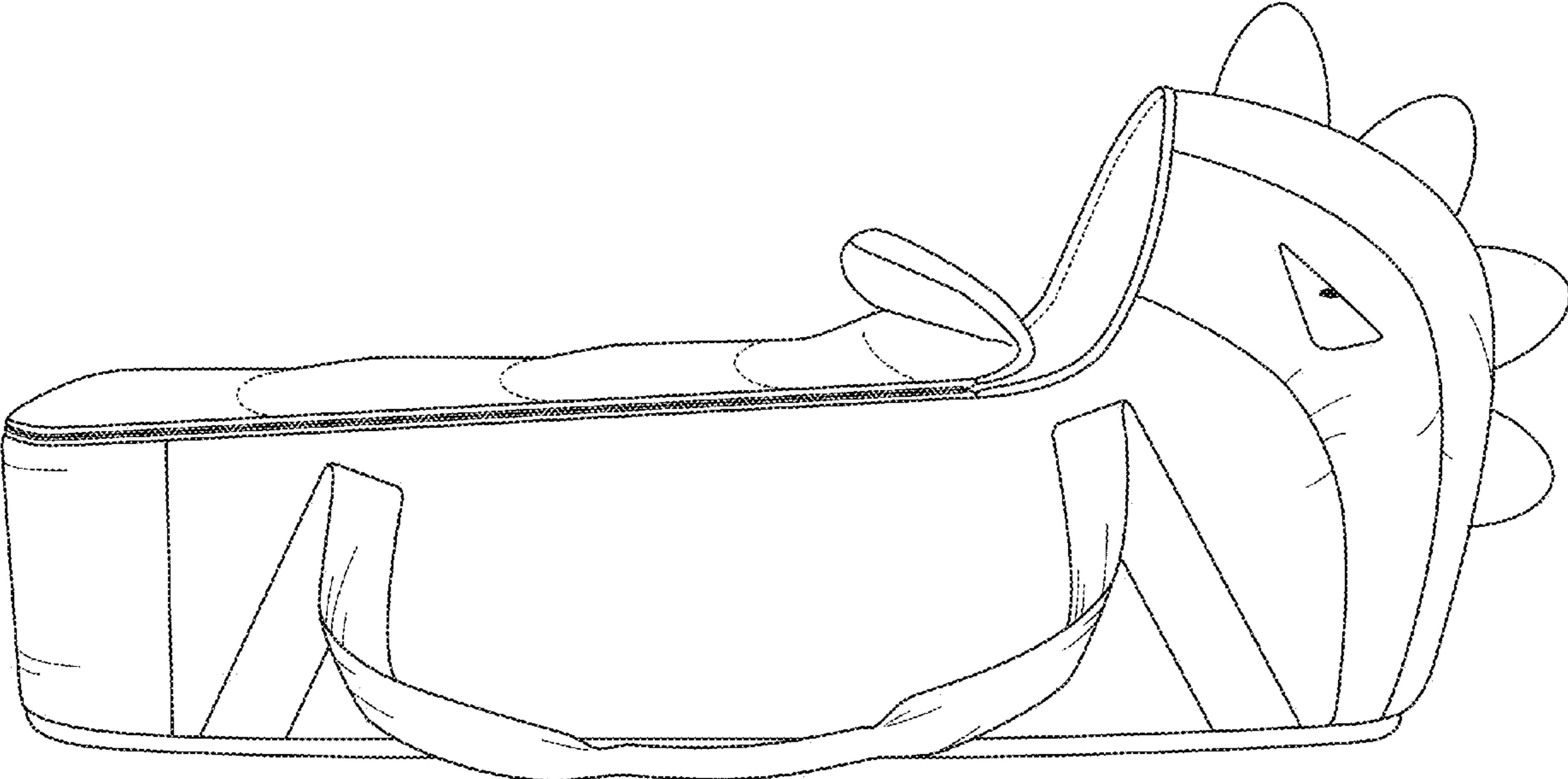


Fig. 2

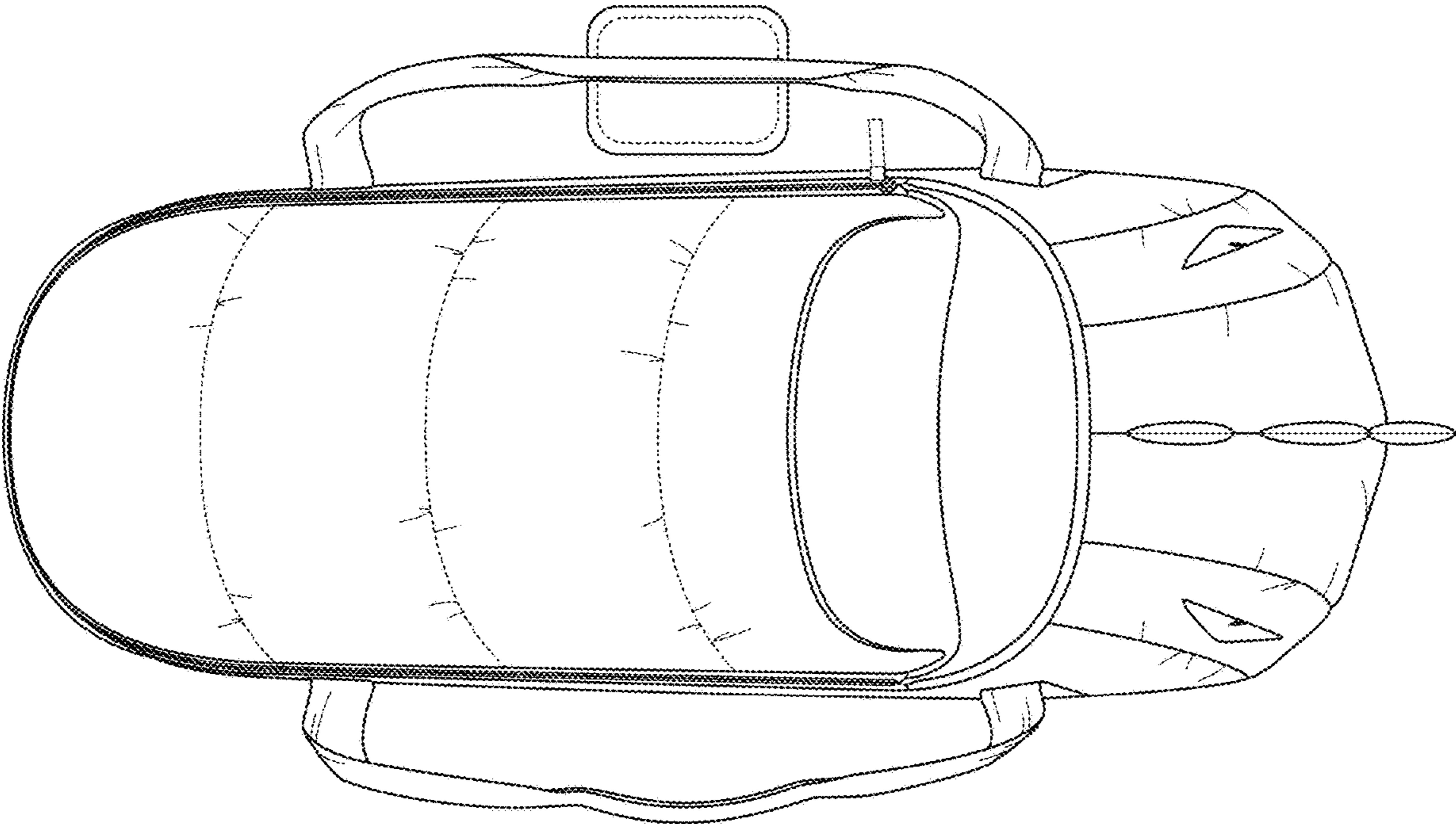


Fig. 3



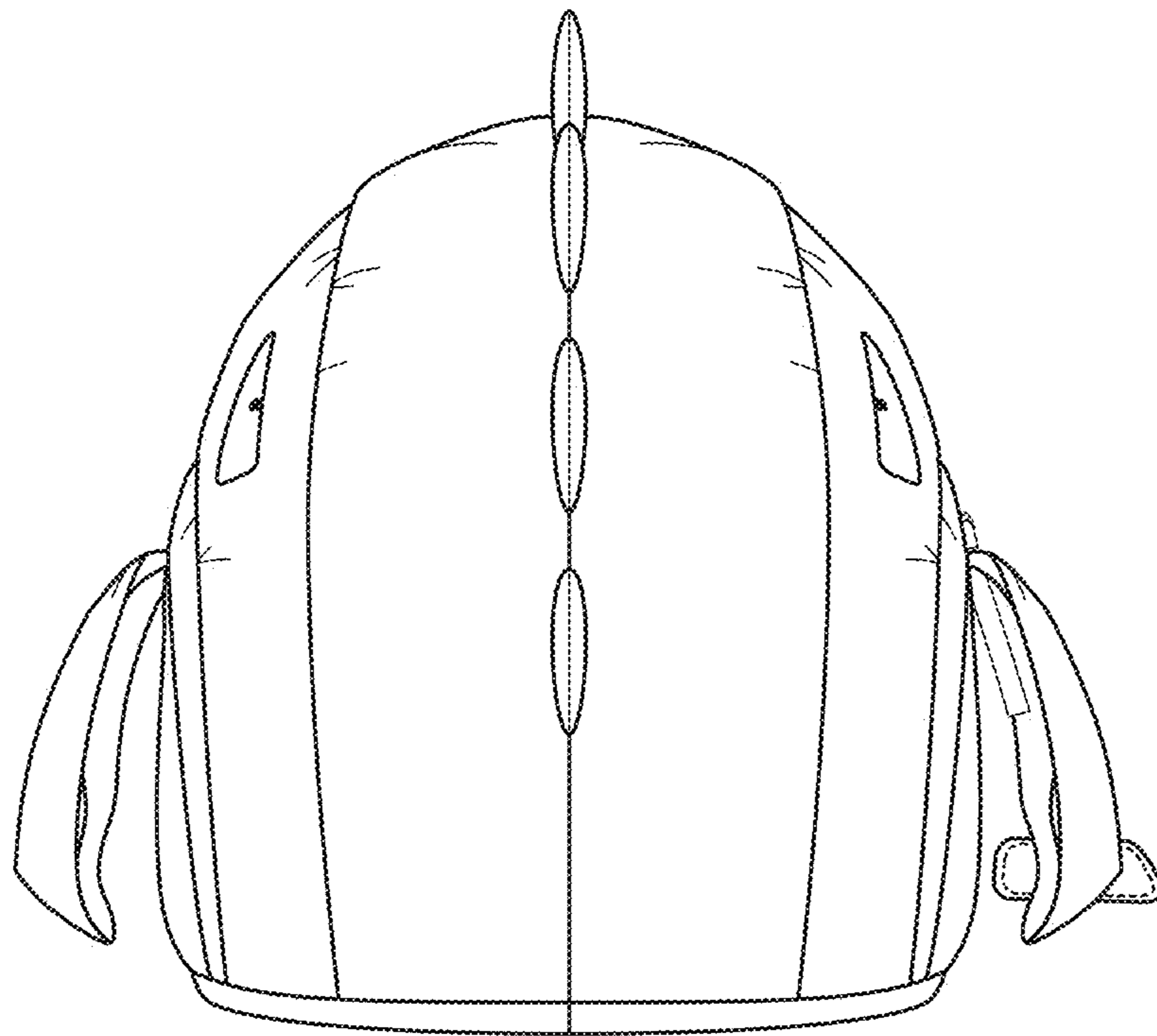


Fig. 4

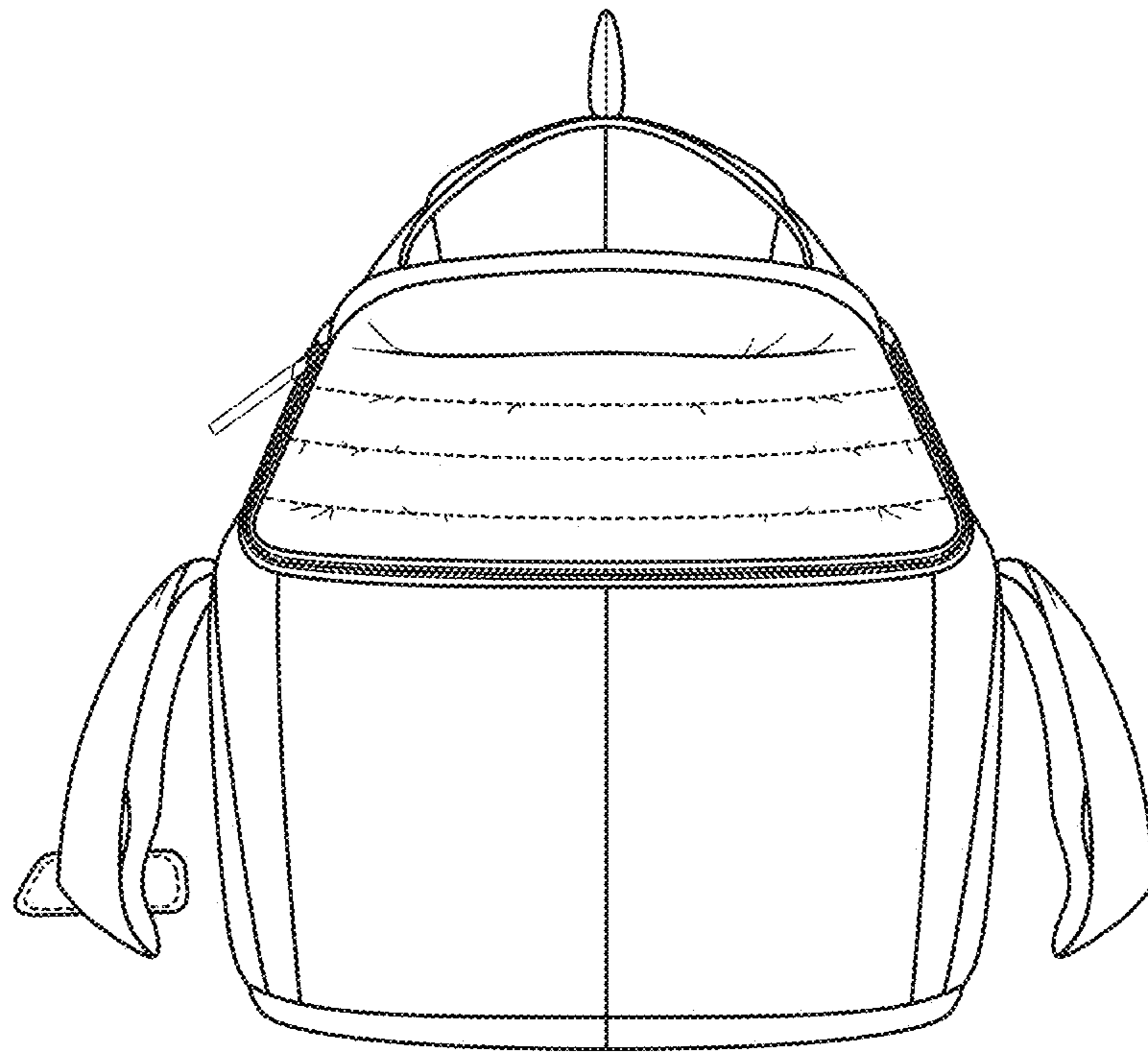


Fig. 5

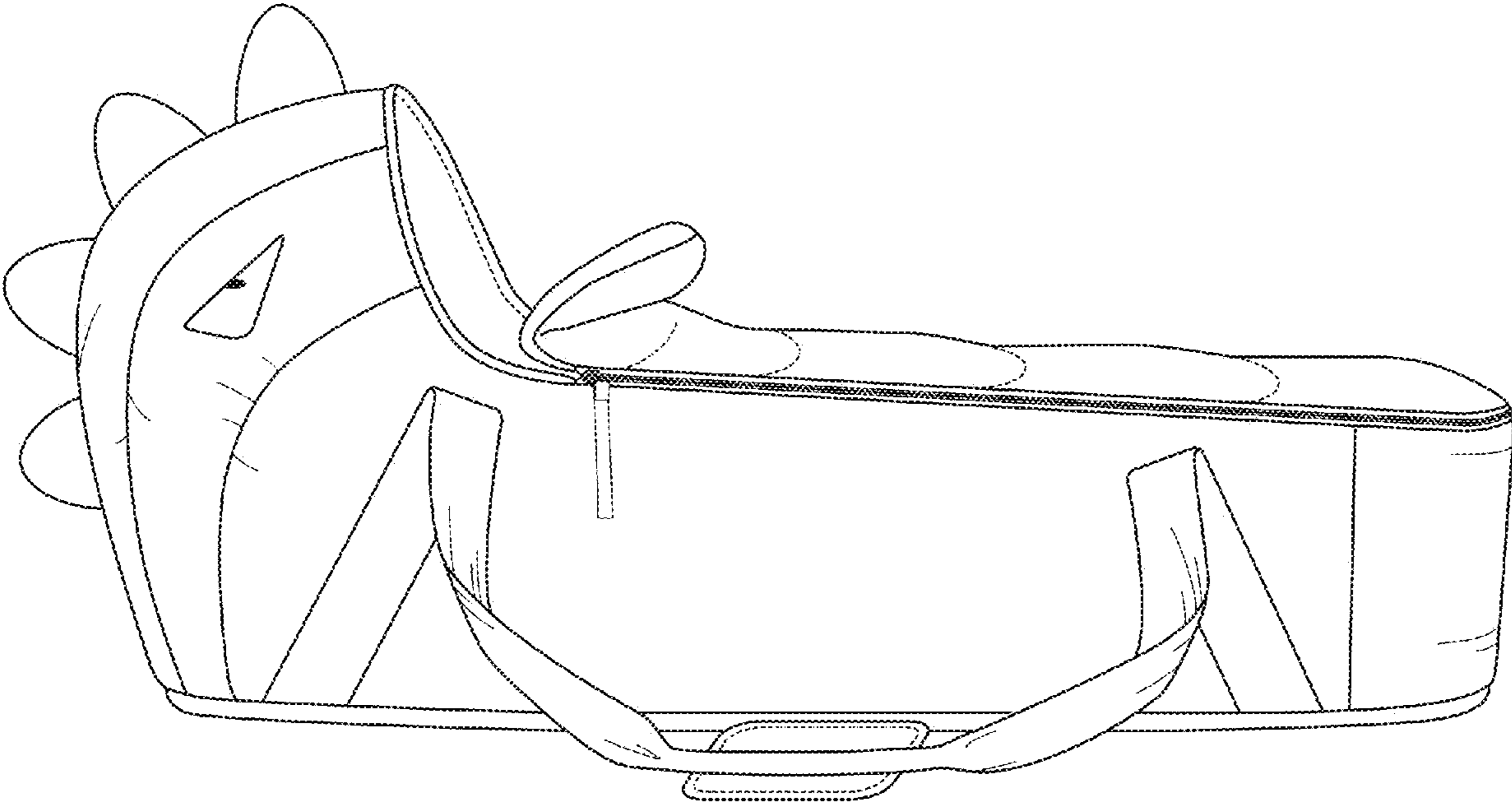


Fig. 6