



US00D927879S

(12) **United States Design Patent** (10) **Patent No.:** **US D927,879 S**
Lin (45) **Date of Patent:** **** Aug. 17, 2021**

(54) **SEAT AND BACKREST OF A STACKABLE CHAIR**

(71) Applicant: **Zhuhai Shichang Metals Ltd.**, Zhuhai (CN)

(72) Inventor: **Fuming Lin**, Zhuhai (CN)

(73) Assignee: **Zhuhai Shichang Metals Ltd.**, Zhuhai (CN)

(**) Term: **15 Years**

(21) Appl. No.: **29/723,964**

(22) Filed: **Feb. 12, 2020**

(51) **LOC (13) Cl.** **06-01**

(52) **U.S. Cl.**
USPC **D6/375**

(58) **Field of Classification Search**

USPC D6/333, 334, 341, 348, 349, 350, 352, D6/353, 360, 364, 369, 370, 371, 373, D6/374, 375, 376, 377, 379, 380, 390, D6/677, 692, 700, 708, 708.16, 716, 366; D16/237; D21/412, 419, 521
CPC A47C 1/124; A47C 3/34; A47C 4/028; A47C 4/02; A47C 5/12; A47C 5/125; A47C 7/506; A47C 9/007; A47C 13/005; A47C 13/023; A47C 31/113; A47C 3/00; A47C 4/08; A47C 4/00; A47C 7/70; A47C 7/405; A47C 13/00; B60R 2/0284; B60R 2/062; B60R 22/001; B60R 22/24; B60R 22/28; B60R 22/58; B60R 22/64; B60R 22/68; B60R 22/80; B60R 22/99; B60R 22/245; B60R 22/643; B60R 22/646; B60R 22/665; B60R 22/686; B60R 22/688; B60R 22/803; B60R 22/986; B60R 22/914; B60R 22/995; A47B 83/02; A47B 83/023; A47B 83/024; A47B 85/04

See application file for complete search history.

(56) **References Cited**

U.S. PATENT DOCUMENTS

D426,973 S * 6/2000 Risdall D6/375
D522,265 S * 6/2006 Glass D6/375
D544,230 S * 6/2007 Glass D6/375
D566,979 S * 4/2008 Cox D6/375

(Continued)

FOREIGN PATENT DOCUMENTS

CA 168023 S 10/2017
CA 168024 S 10/2017

Primary Examiner — Kevin K Rudzinski

Assistant Examiner — Paul D Bohannon

(74) *Attorney, Agent, or Firm* — Luedeka Neely Group, P.C.

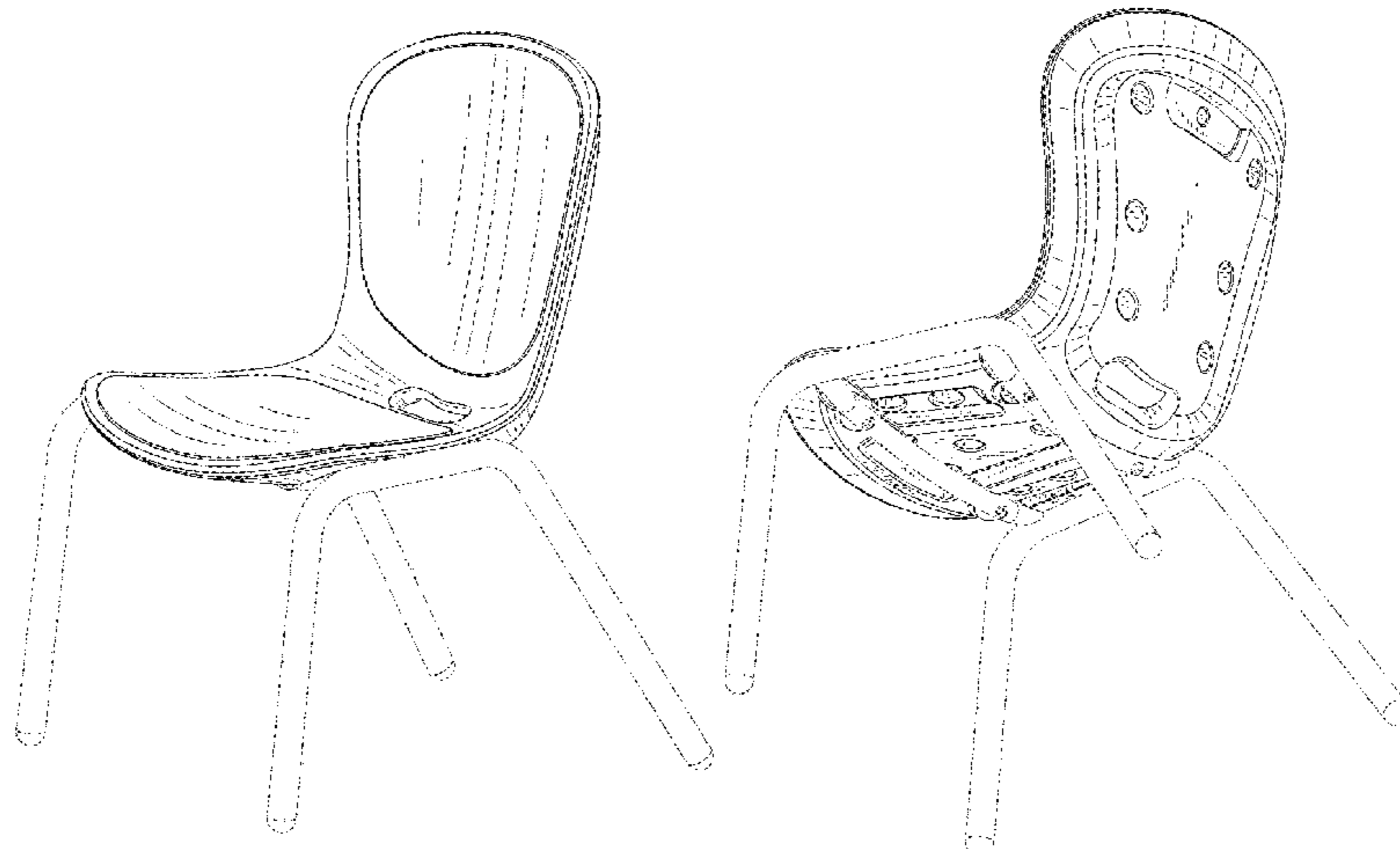
(57) **CLAIM**

The ornamental design for a seat and backrest of a stackable chair, as shown and described.

DESCRIPTION

FIG. 1 is a top perspective view of the seat and backrest of a stackable chair;
FIG. 2 is a bottom perspective view of the seat and backrest of a stackable chair;
FIG. 3 is a right side elevation view of the seat and backrest of a stackable chair;
FIG. 4 is a left side elevation view of the seat and backrest of a stackable chair;
FIG. 5 is a front elevation view of the seat and backrest of a stackable chair;
FIG. 6 is a rear elevation view of the seat and backrest of a stackable chair;
FIG. 7 is a top plan view of the seat and backrest of a stackable chair; and,
FIG. 8 is a bottom plan view of the seat and backrest of a stackable chair.
The broken lines shown in the figures are included for the purpose of illustrating environment only and form no part of the claimed design.

1 Claim, 8 Drawing Sheets



(56)

References Cited

U.S. PATENT DOCUMENTS

D597,758 S *	8/2009	Barrett	D6/375
D611,740 S *	3/2010	Koh	D6/716
D669,279 S *	10/2012	Eldoy	D6/375
D686,857 S *	7/2013	Fletcher	D6/716
D707,461 S *	6/2014	Rada	D6/375
D787,217 S	5/2017	Lin	
D787,849 S	5/2017	Lin	
D793,139 S	8/2017	Lin	
D794,372 S	8/2017	Lin	
D801,098 S *	10/2017	Farber	D6/716
D802,954 S	11/2017	Lin	
D811,143 S	2/2018	Chavarria	
D811,790 S	3/2018	Chavarria	
D811,791 S	3/2018	Chavarria	
D819,380 S	6/2018	Chavarria	
D823,623 S	7/2018	Chavarria	
10,021,981 B1 *	7/2018	Zheng	A47C 1/124
D833,193 S *	11/2018	Mehaffey	D6/716
D836,929 S *	1/2019	Fletcher	D6/348
D856,055 S *	8/2019	Read	D6/716
D870,481 S *	12/2019	Lee	D6/375

* cited by examiner

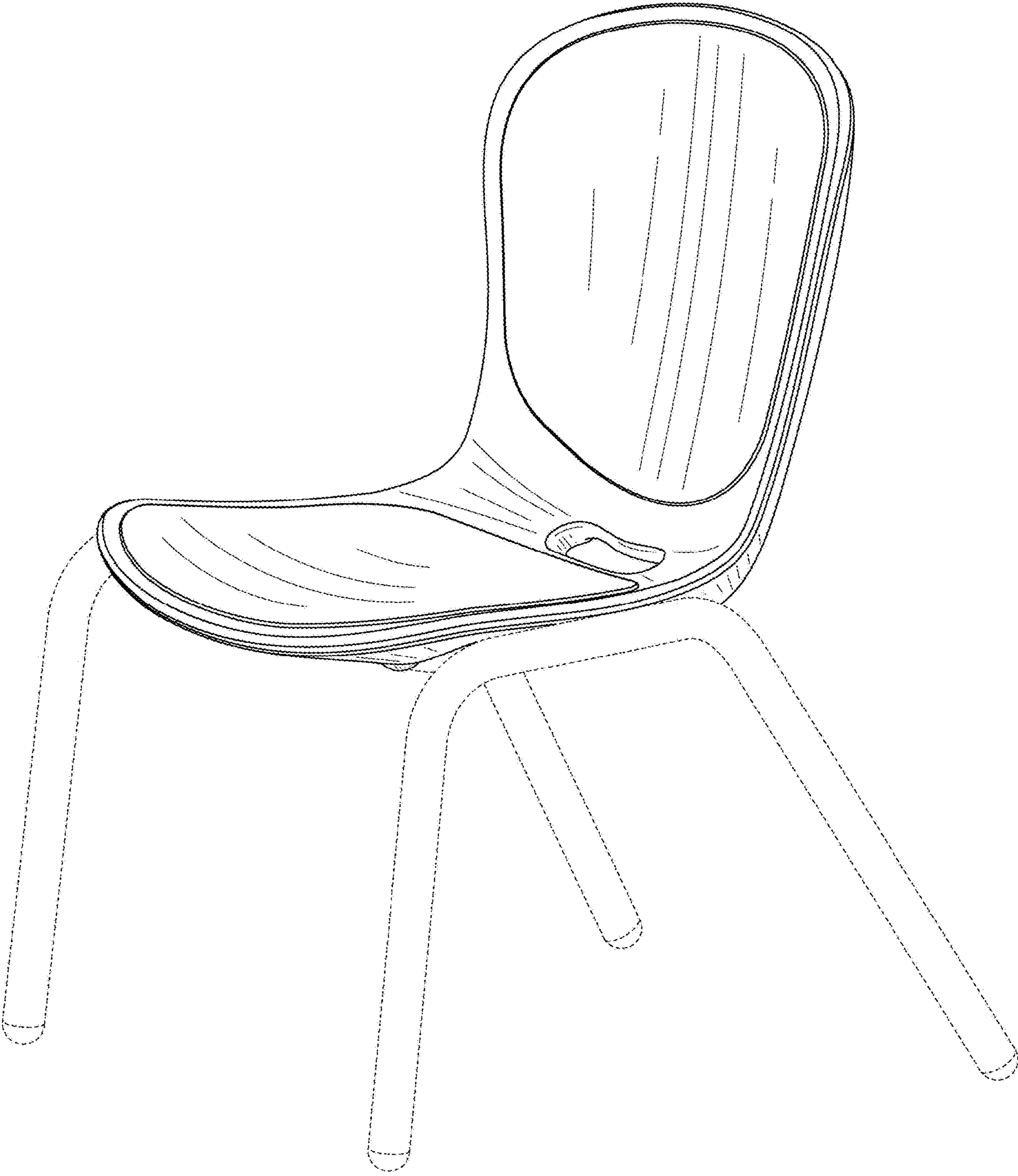


FIG. 1

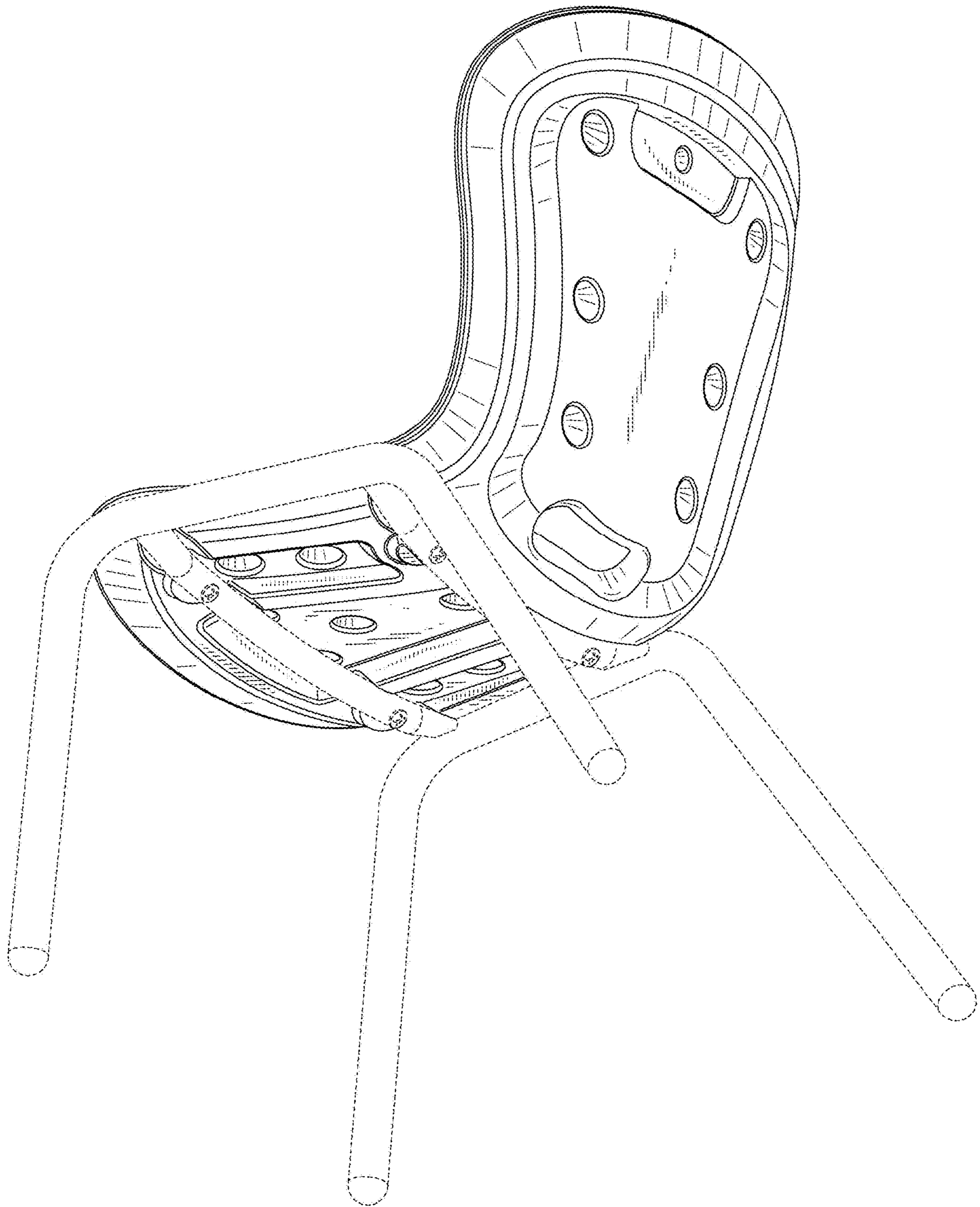


FIG. 2

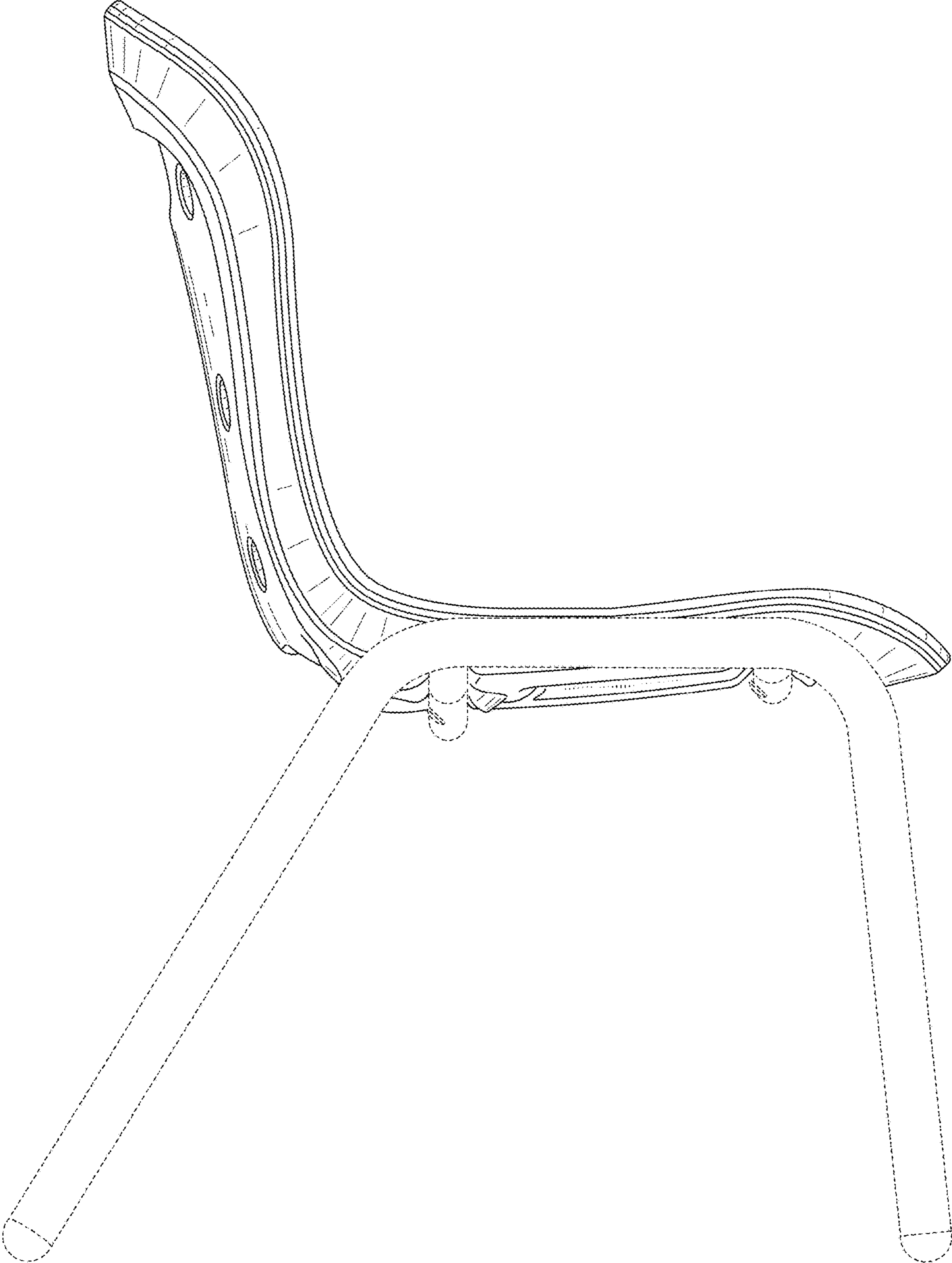


FIG. 3

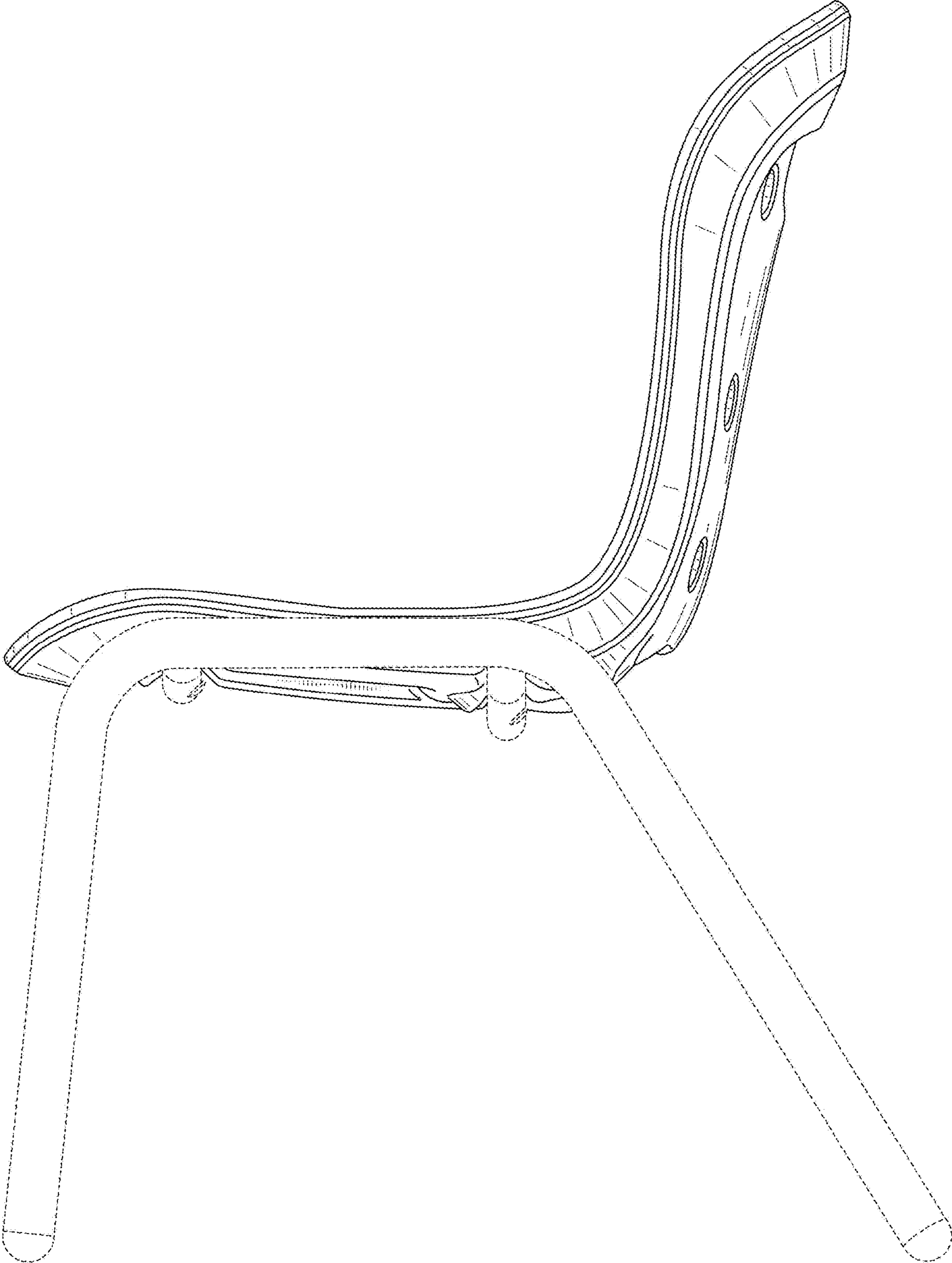


FIG. 4

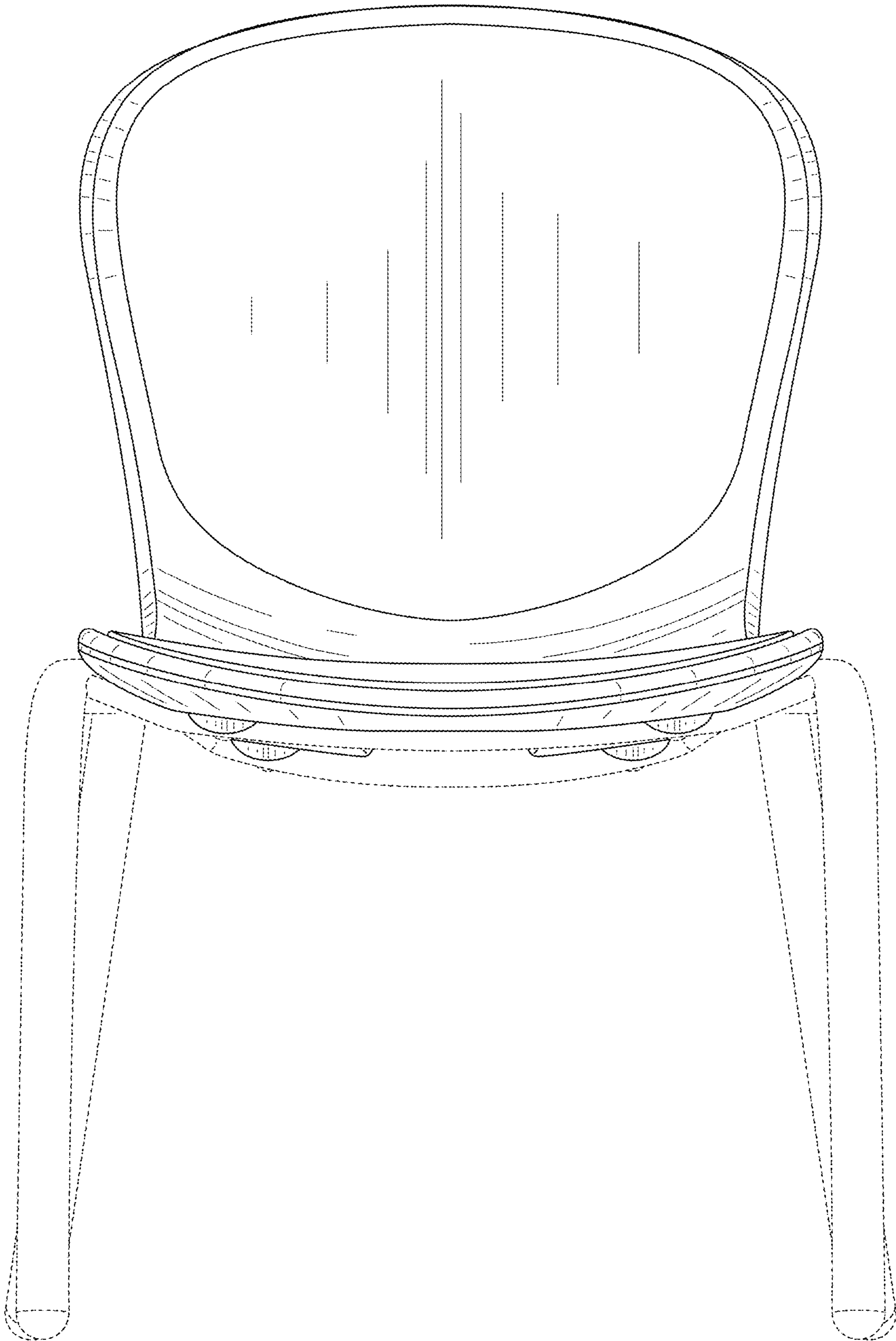


FIG. 5

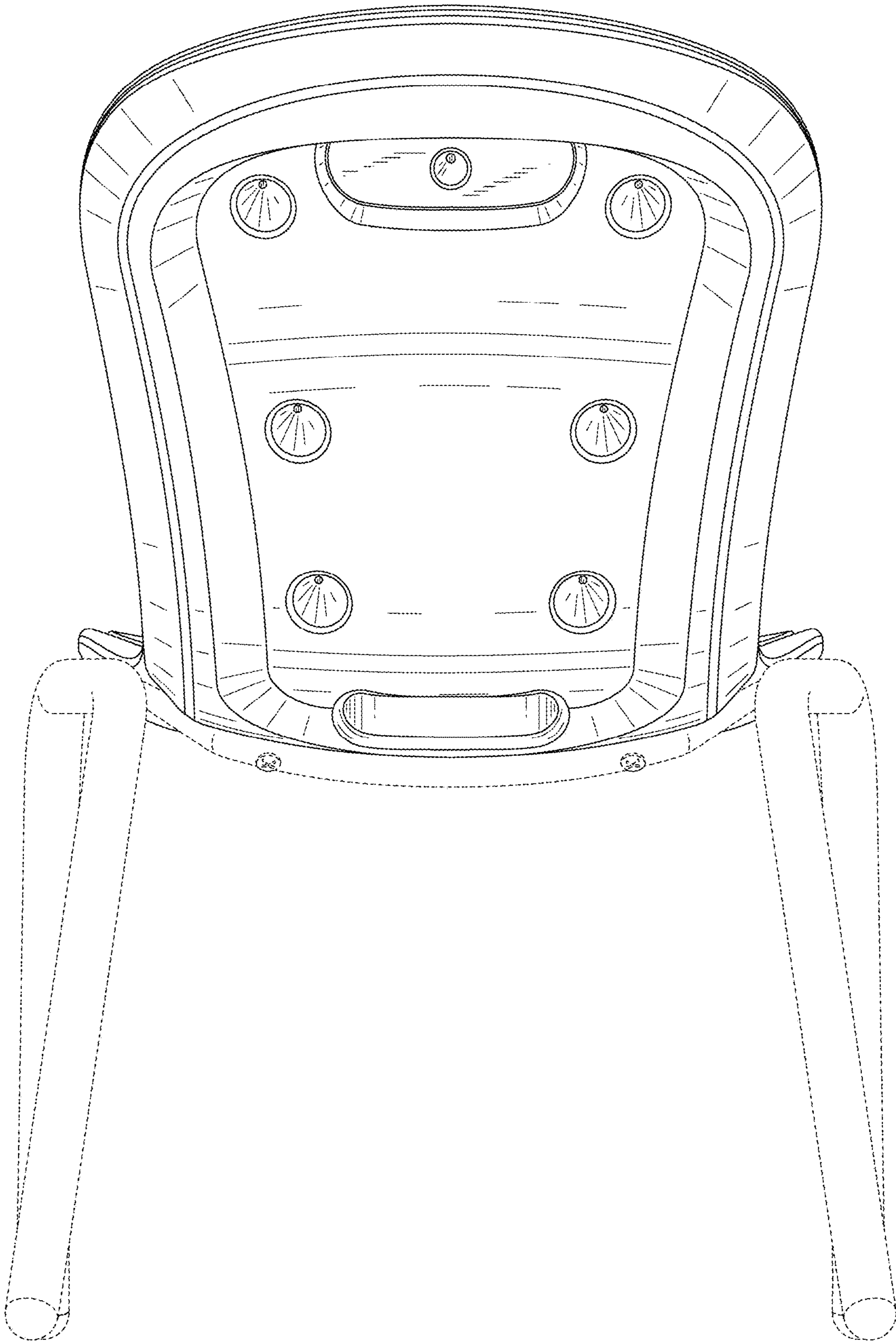


FIG. 6

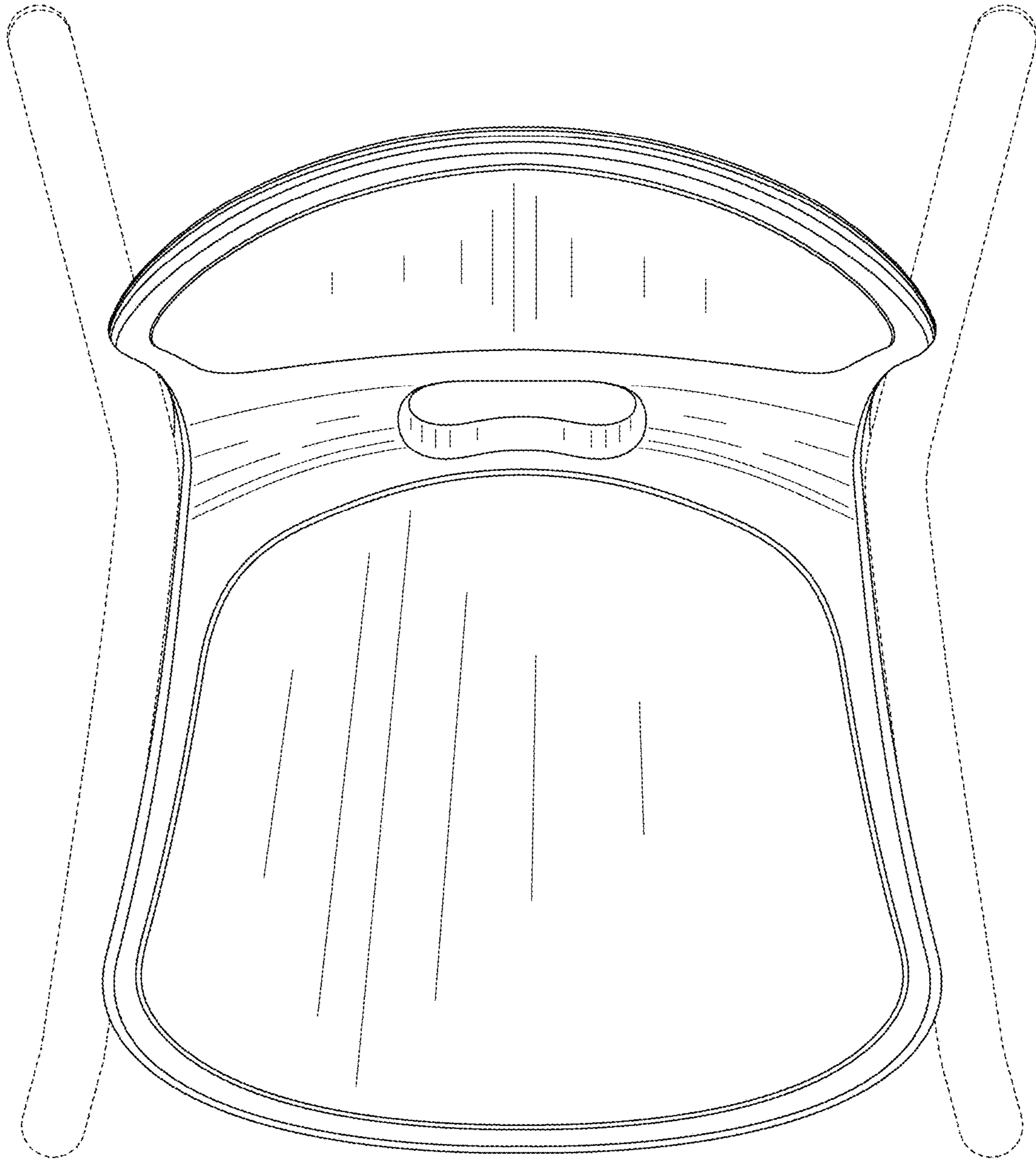


FIG. 7

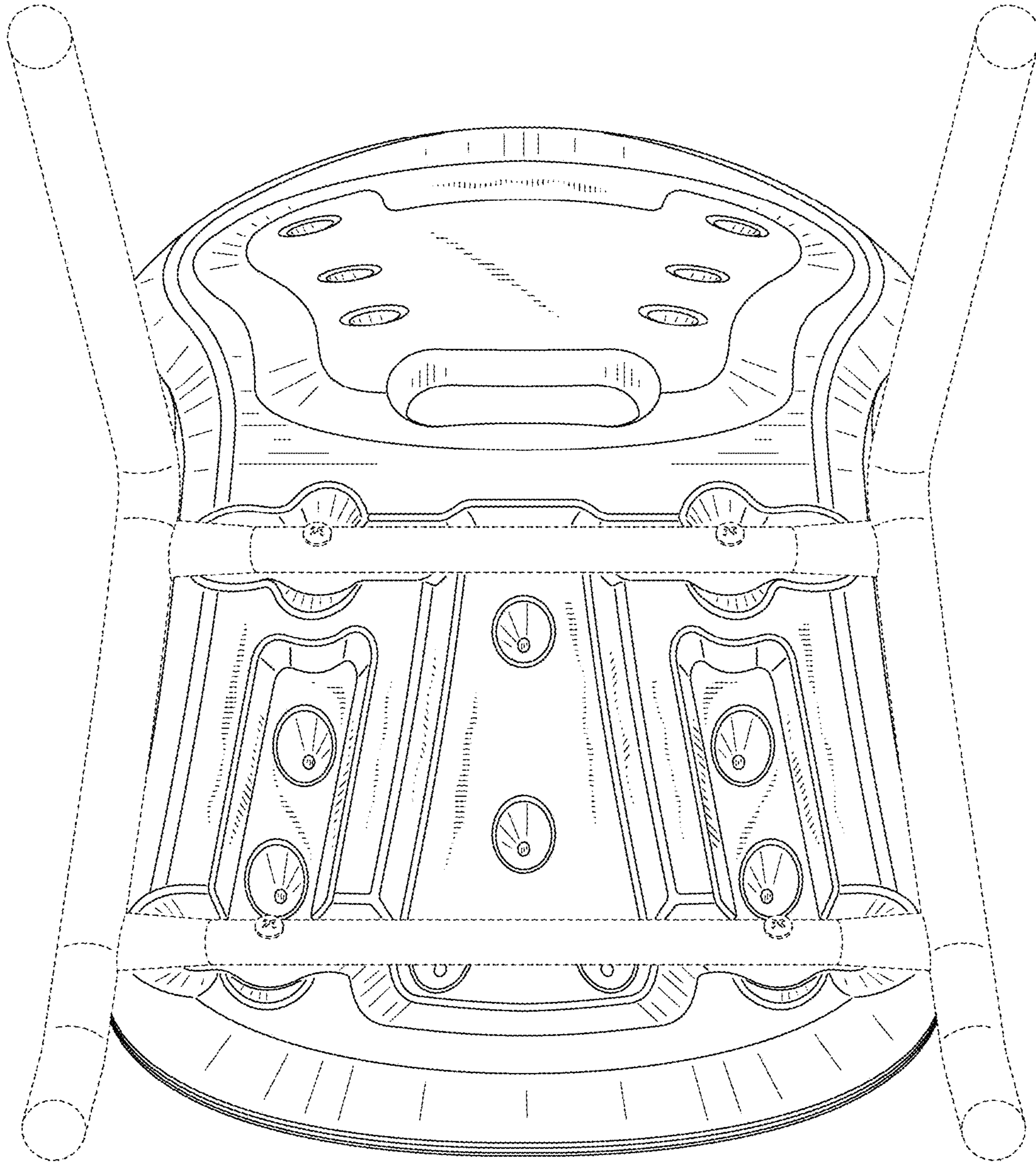


FIG. 8