



US00D927873S

(12) **United States Design Patent** (10) **Patent No.:** **US D927,873 S**
Akkad (45) **Date of Patent:** **** Aug. 17, 2021**

(54) **SAUCER CHAIR**

(71) Applicant: **Idea Nuova, Inc.**, New York, NY (US)

(72) Inventor: **Benjamin S. Akkad**, New York, NY (US)

(73) Assignee: **IDEA NUOVA, INC.**, New York, NY (US)

(**) Term: **15 Years**

(21) Appl. No.: **29/676,513**

(22) Filed: **Jan. 11, 2019**

(51) **LOC (13) Cl.** **06-01**

(52) **U.S. Cl.**
USPC **D6/368**

(58) **Field of Classification Search**

USPC D6/335, 367, 368, 716, 716.4; D21/521
CPC A47B 5/00; A47C 1/02; A47C 1/14; A47C 1/03244; A47C 1/032; A47C 3/18; A47C 4/20; A47C 4/28; A47C 4/30; A47C 4/42; A47C 4/46; A47C 4/54; A47C 4/286; A47C 7/06; A47C 7/24; A47C 7/66; A47C 7/68; A47C 7/62; A47C 7/624; A47C 7/622; A47C 7/407; A47C 7/425; A47C 9/06; A47C 9/00; A47C 9/10; A47C 9/105; A47C 11/00; A47C 11/005; A47C 15/00; A47C 21/00; A47C 31/00; A01M 31/00; A01M 31/02; A01M 31/025; A45F 3/22; A45F 3/24; A47G 9/06; A61G 7/10; A63B 63/00; B60N 2/04; B25H 1/14; B25H 1/12; B25H 1/04; E04H 15/30; F16M 11/22; F42B 12/38; F41A 23/14; F41A 23/16; F41A 23/18; F41C 27/00; Y10S 135/901
See application file for complete search history.

(56) **References Cited**

U.S. PATENT DOCUMENTS

D475,860	S	*	6/2003	Yang	D6/367
D499,258	S	*	12/2004	Tseng	D6/368
7,967,374	B2	*	6/2011	Akkad	A47C 4/24 297/42
D761,581	S	*	7/2016	Frankel	D6/368
D781,607	S	*	3/2017	Bittle	D6/368
D834,866	S	*	12/2018	Wu	D6/716
D906,701	S	*	1/2021	Li	D6/334
2005/0088018	A1	*	4/2005	Yao	A47C 4/24 297/16.1
2010/0164256	A1	*	7/2010	Salisbury	A47C 7/744 297/16.2
2014/0265458	A1	*	9/2014	Tseng	A47C 4/30 297/16.1
2017/0119160	A1	*	5/2017	Frankel	A47C 4/48
2019/0090641	A1	*	3/2019	Frankel	A47C 4/30

* cited by examiner

Primary Examiner — Kevin K Rudzinski

Assistant Examiner — Paul D Bohannon

(74) *Attorney, Agent, or Firm* — Panitch Schwarze Belisario & Nadel LLP

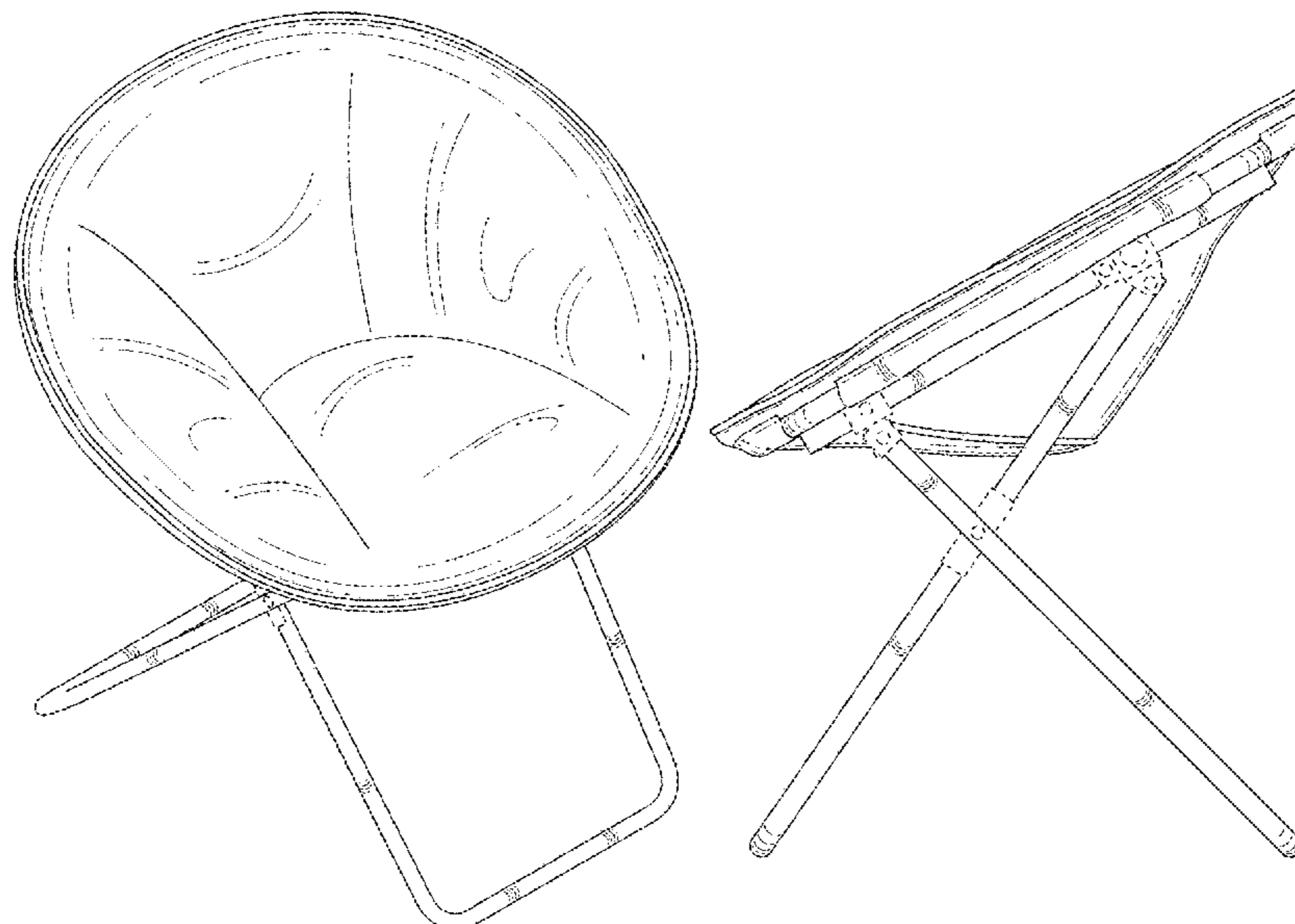
(57) **CLAIM**

The ornamental design for a saucer chair, as shown and described.

DESCRIPTION

FIG. 1 is a front, top and side perspective view of a saucer chair in accordance with my new design; FIG. 2 is a front perspective view thereof; FIG. 3 is a rear perspective view thereof; FIG. 4 is a right side elevational view thereof; FIG. 5 is a left side elevational view thereof; FIG. 6 is a top plan view thereof; and, FIG. 7 is a bottom plan view thereof. The broken lines in the drawings depict portions of the saucer chair that form no part of the claimed design.

1 Claim, 7 Drawing Sheets



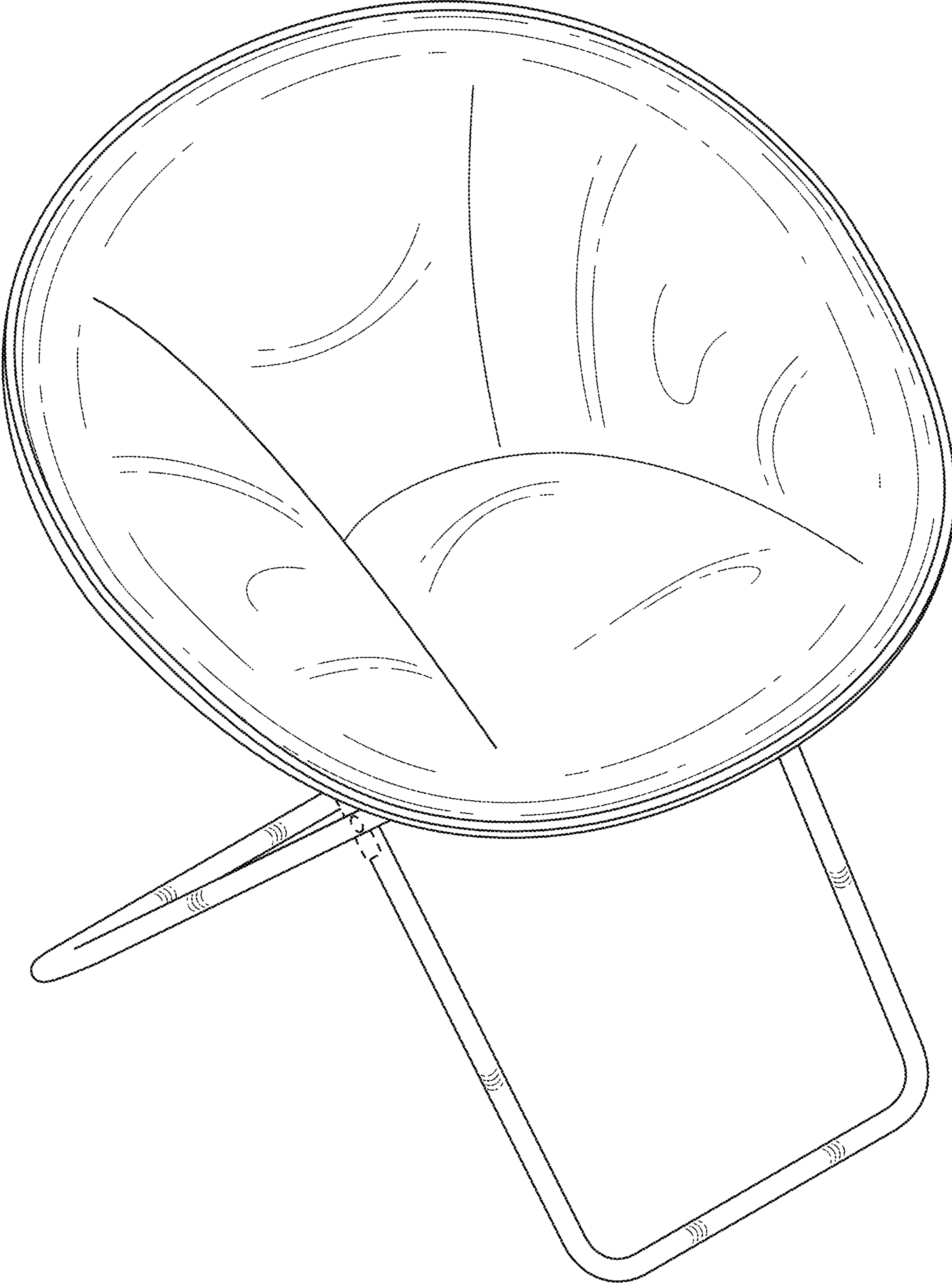


FIG. 1

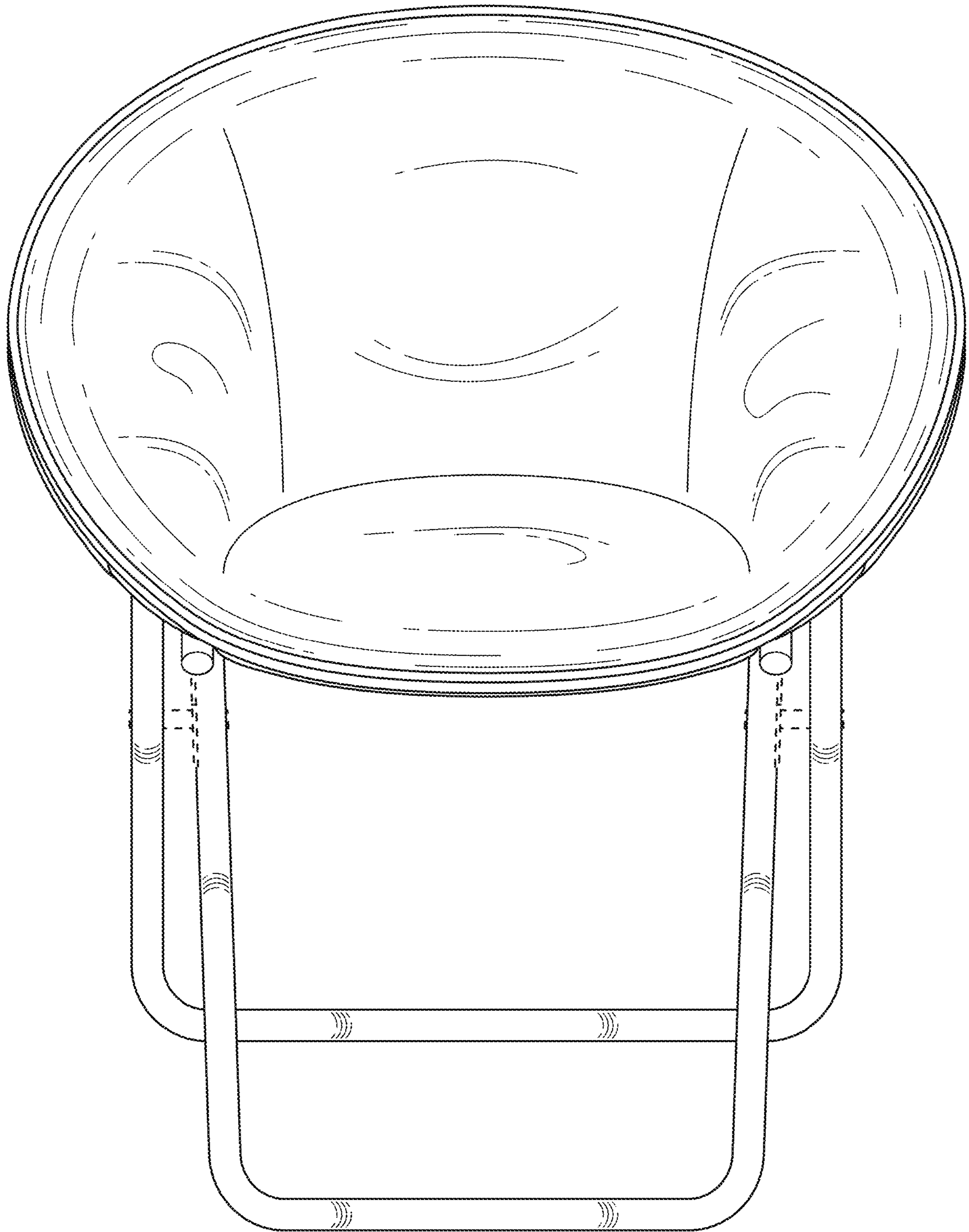


FIG. 2

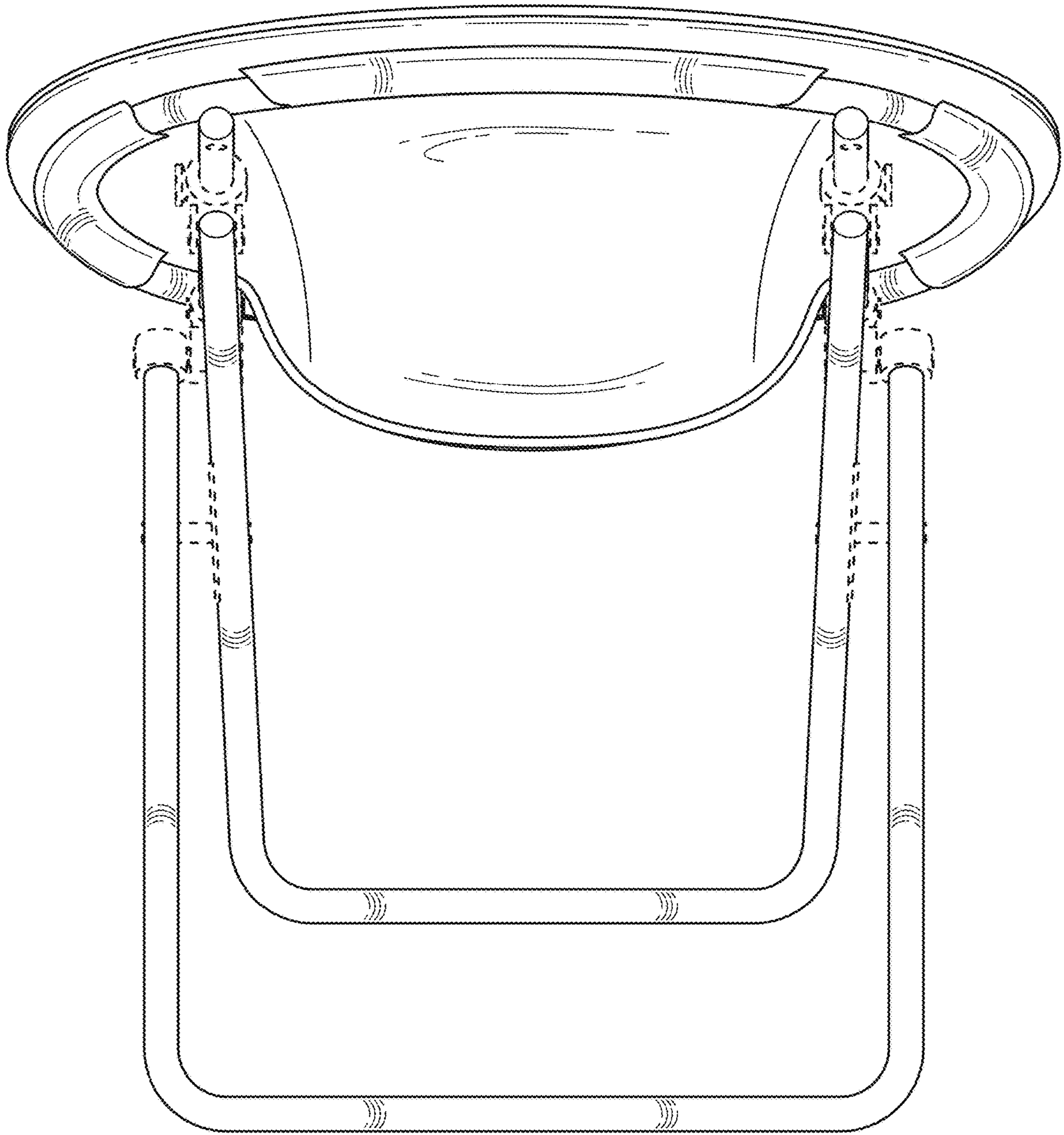


FIG. 3

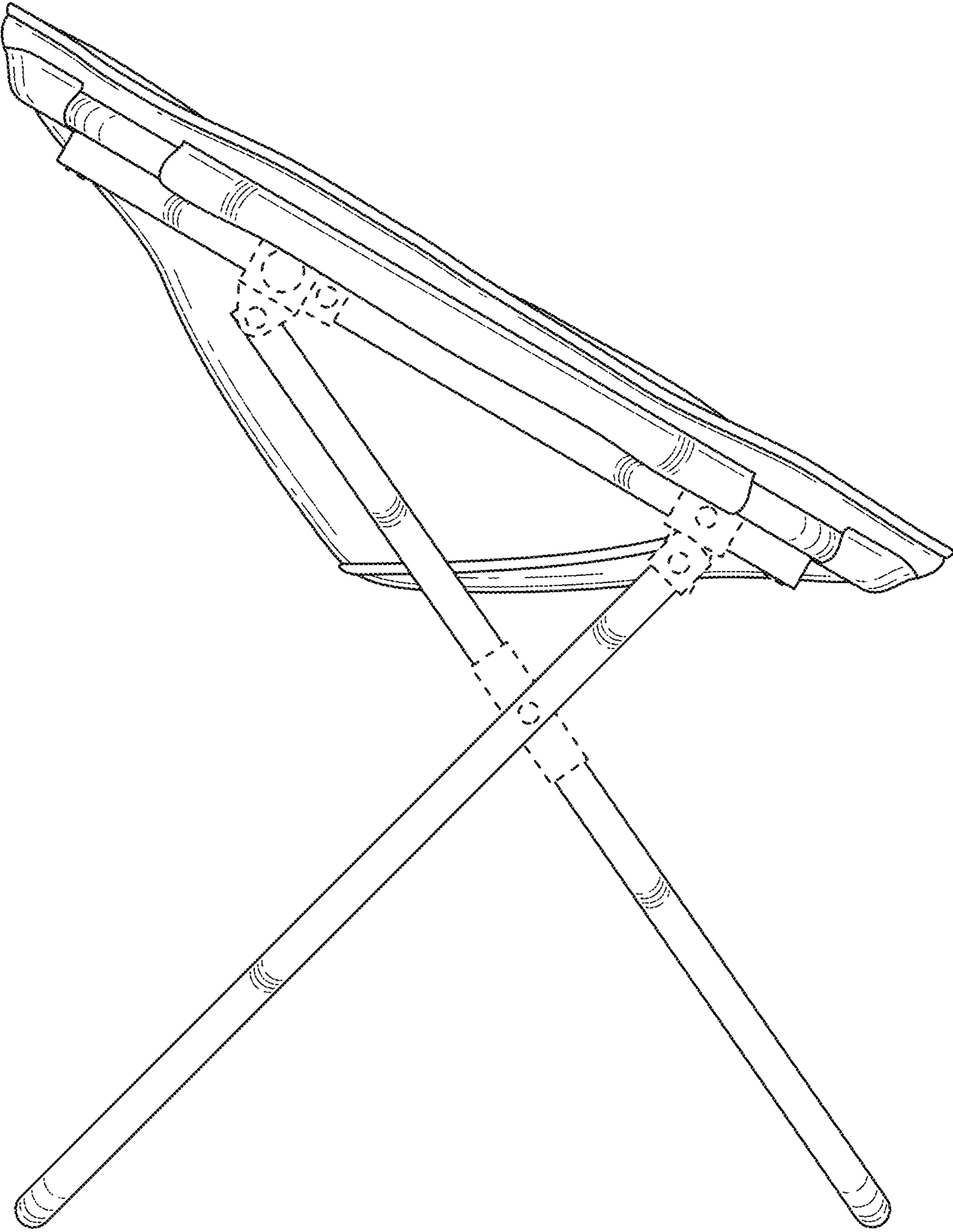


FIG. 4

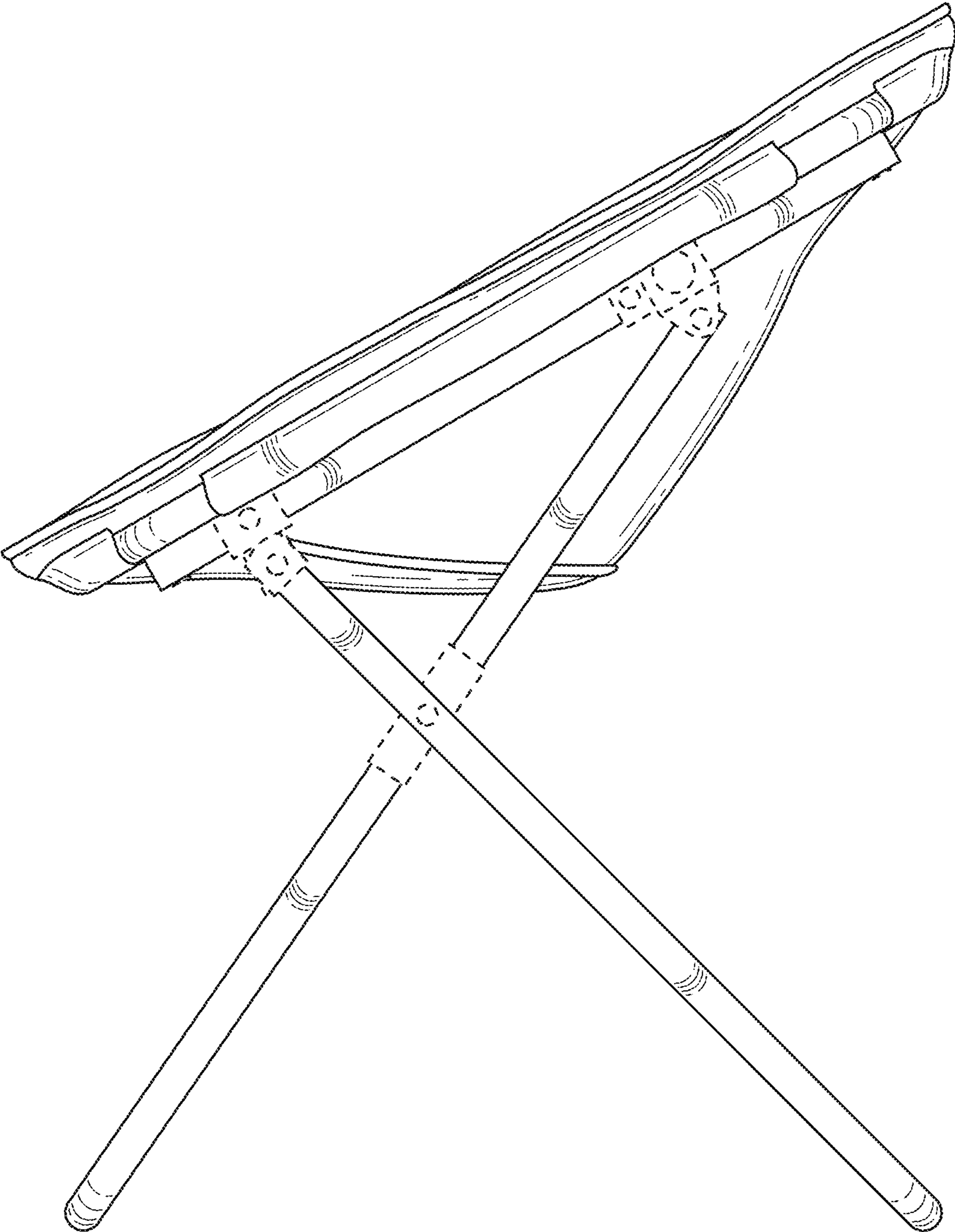


FIG. 5

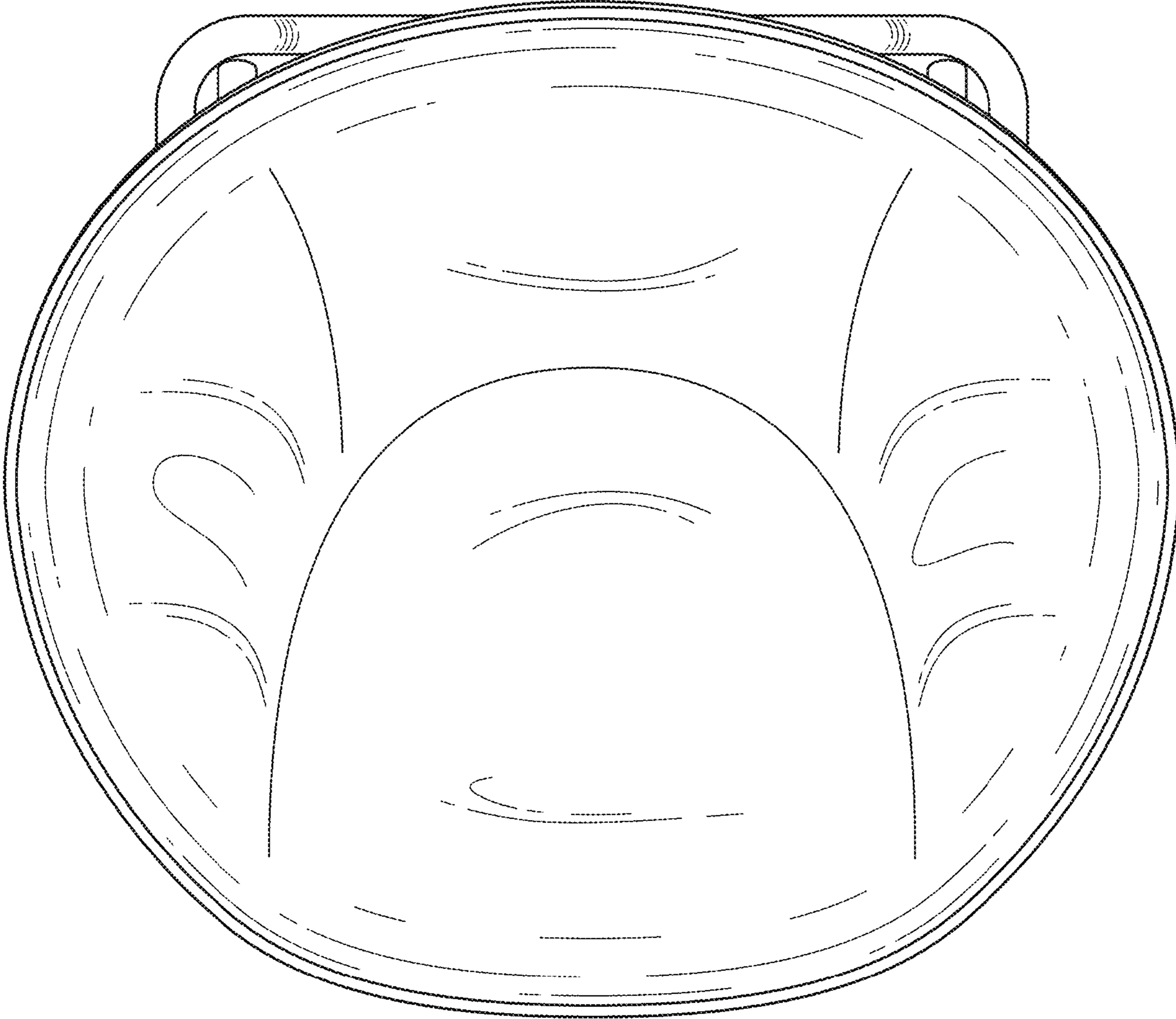


FIG. 6

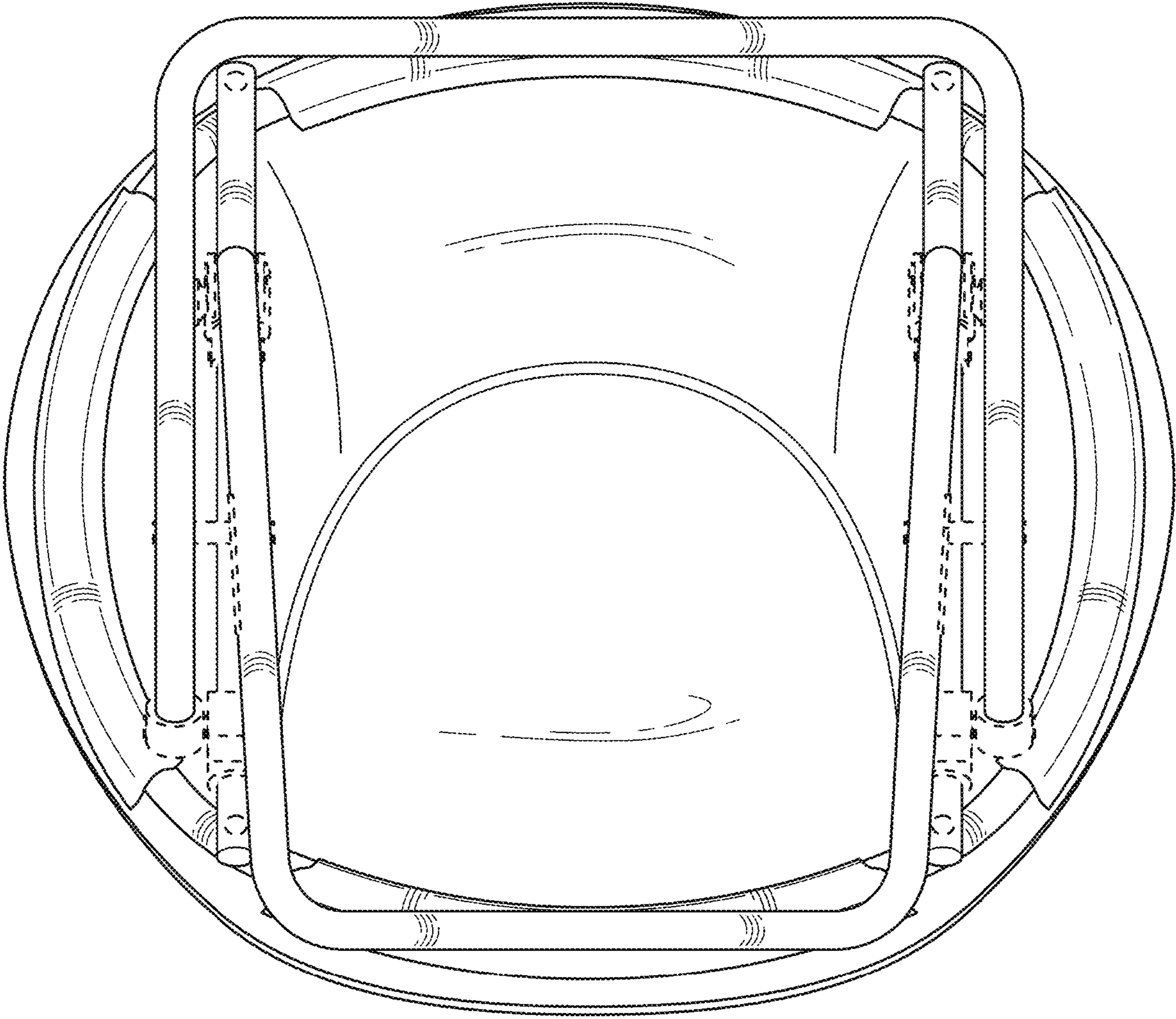


FIG. 7