



US00D927872S

(12) **United States Design Patent**
Li

(10) **Patent No.:** **US D927,872 S**

(45) **Date of Patent:** **** Aug. 17, 2021**

(54) **OFFICE CHAIR**

(71) Applicant: **Qixiang Li**, Guangdong (CN)

(72) Inventor: **Qixiang Li**, Guangdong (CN)

(73) Assignee: **ALWAYS OUTDOOR FURNITURE CO., LTD**, Foshan (CN)

(**) Term: **15 Years**

(21) Appl. No.: **29/732,961**

(22) Filed: **Apr. 29, 2020**

(51) **LOC (13) Cl.** **06-01**

(52) **U.S. Cl.**
USPC **D6/366**

(58) **Field of Classification Search**

USPC D6/334, 346, 349, 355, 360, 361, 362,
D6/363, 364, 365, 366, 367, 368, 371,
D6/372, 374, 375, 379, 380, 716.4

CPC A47C 3/00; A47C 3/12; A47C 3/20; A47C
3/32; A47C 1/00; A47C 1/022; A47C
1/024; A47C 1/04; A47C 1/06; A47C
7/24; A47C 7/36; A47C 7/46; A47C 7/18;
A47C 7/40; A47C 17/02

See application file for complete search history.

(56) **References Cited**

U.S. PATENT DOCUMENTS

D321,095 S * 10/1991 Bockwoldt D6/356
D562,576 S * 2/2008 Ritzel D6/356

D878,789 S * 3/2020 Wang D6/366
D880,181 S * 4/2020 Wang D6/366
D895,313 S * 9/2020 Izawa D6/366
D907,935 S * 1/2021 Deevers D6/366
D908,381 S * 1/2021 Breen D6/366
D911,055 S * 2/2021 Wang D6/366
2006/0097556 A1 * 5/2006 Jang A47C 7/46
297/284.4
2015/0108820 A1 * 4/2015 Fujita B60N 2/64
297/452.48
2020/0205574 A1 * 7/2020 Fiden A47C 7/40
2020/0345142 A1 * 11/2020 Battey A47C 7/54

* cited by examiner

Primary Examiner — R. Johnson

(57) **CLAIM**

The ornamental design for an office chair, as shown and described.

DESCRIPTION

FIG. 1 is a perspective view of an office chair showing my new design;

FIG. 2 is a front elevational view thereof;

FIG. 3 is a rear elevational view thereof;

FIG. 4 is a left side elevational view thereof;

FIG. 5 is a right side elevational view thereof;

FIG. 6 is a top plan view thereof; and,

FIG. 7 is a bottom plan view thereof.

The broken lines shown in the drawings depict stitching which forms part of the claimed design.

1 Claim, 7 Drawing Sheets





FIG. 1

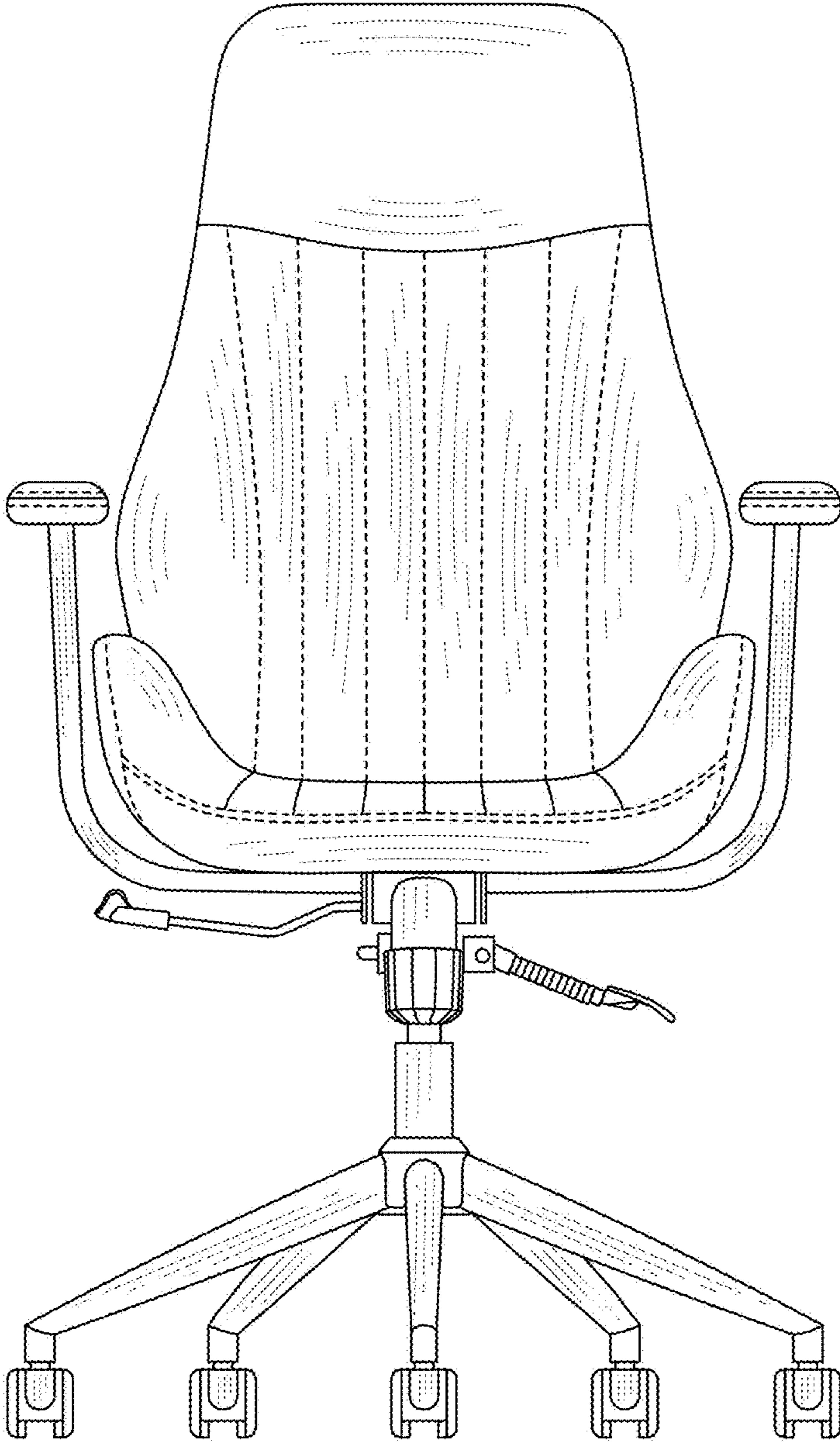


FIG. 2

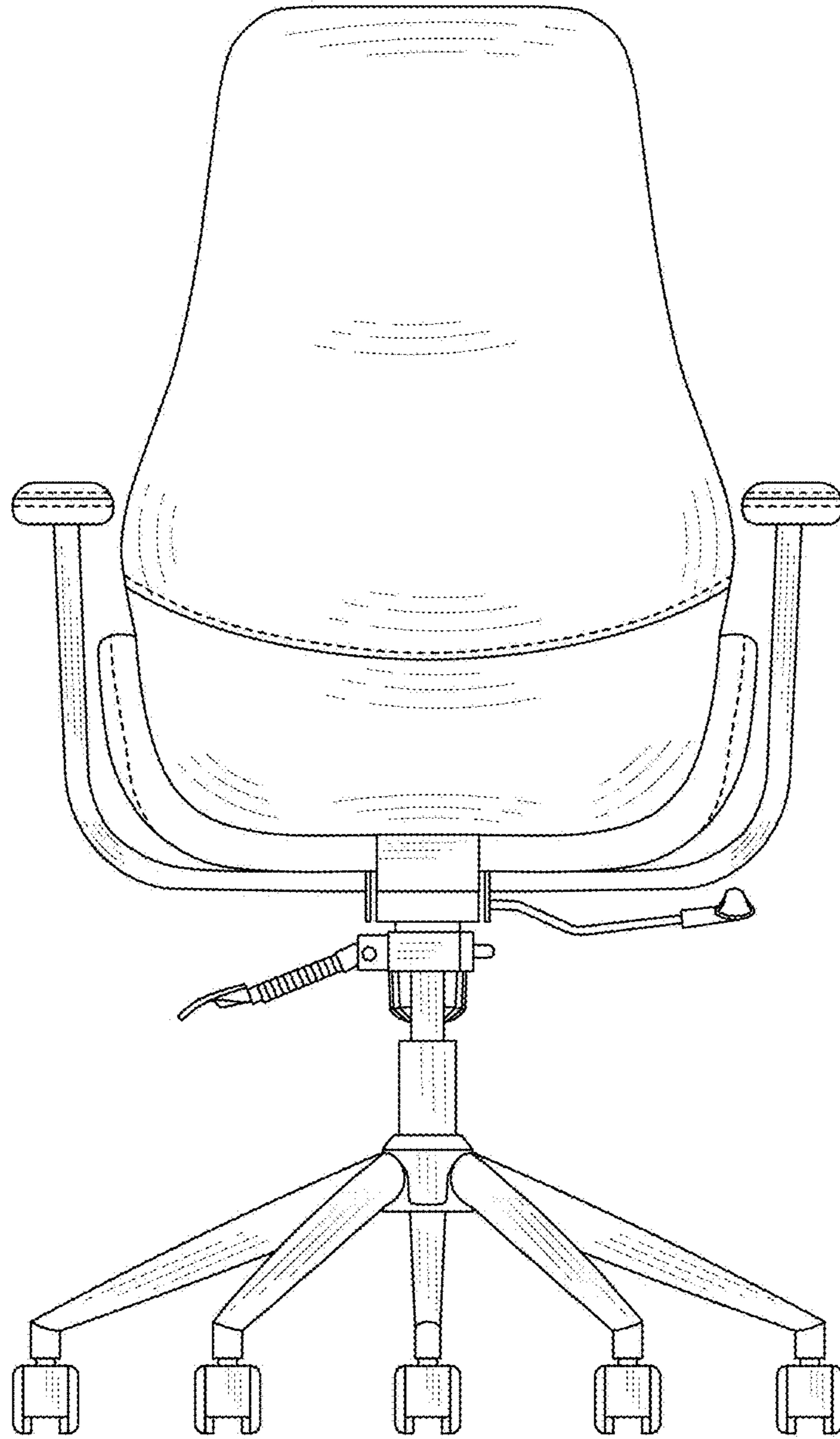


FIG. 3

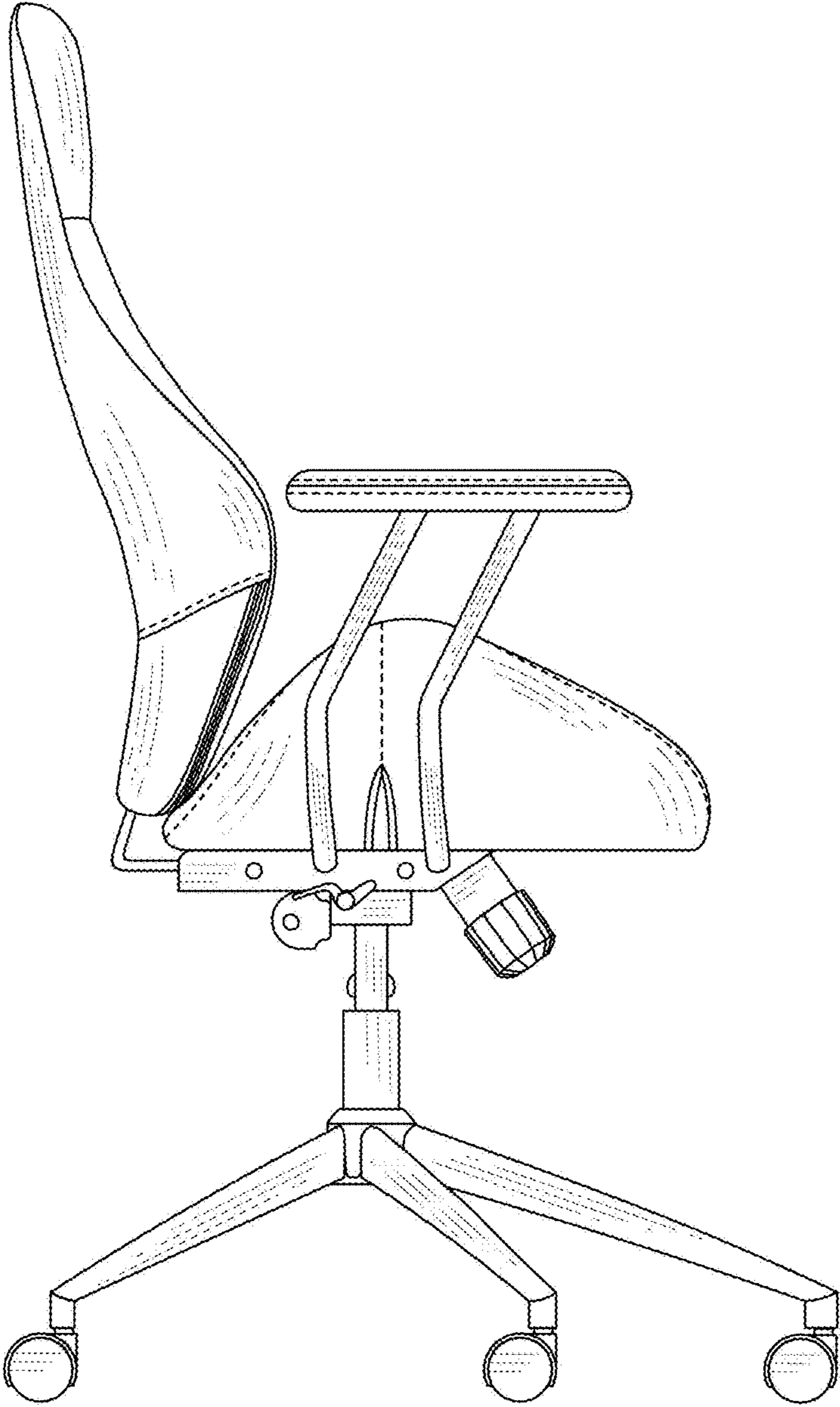


FIG. 4

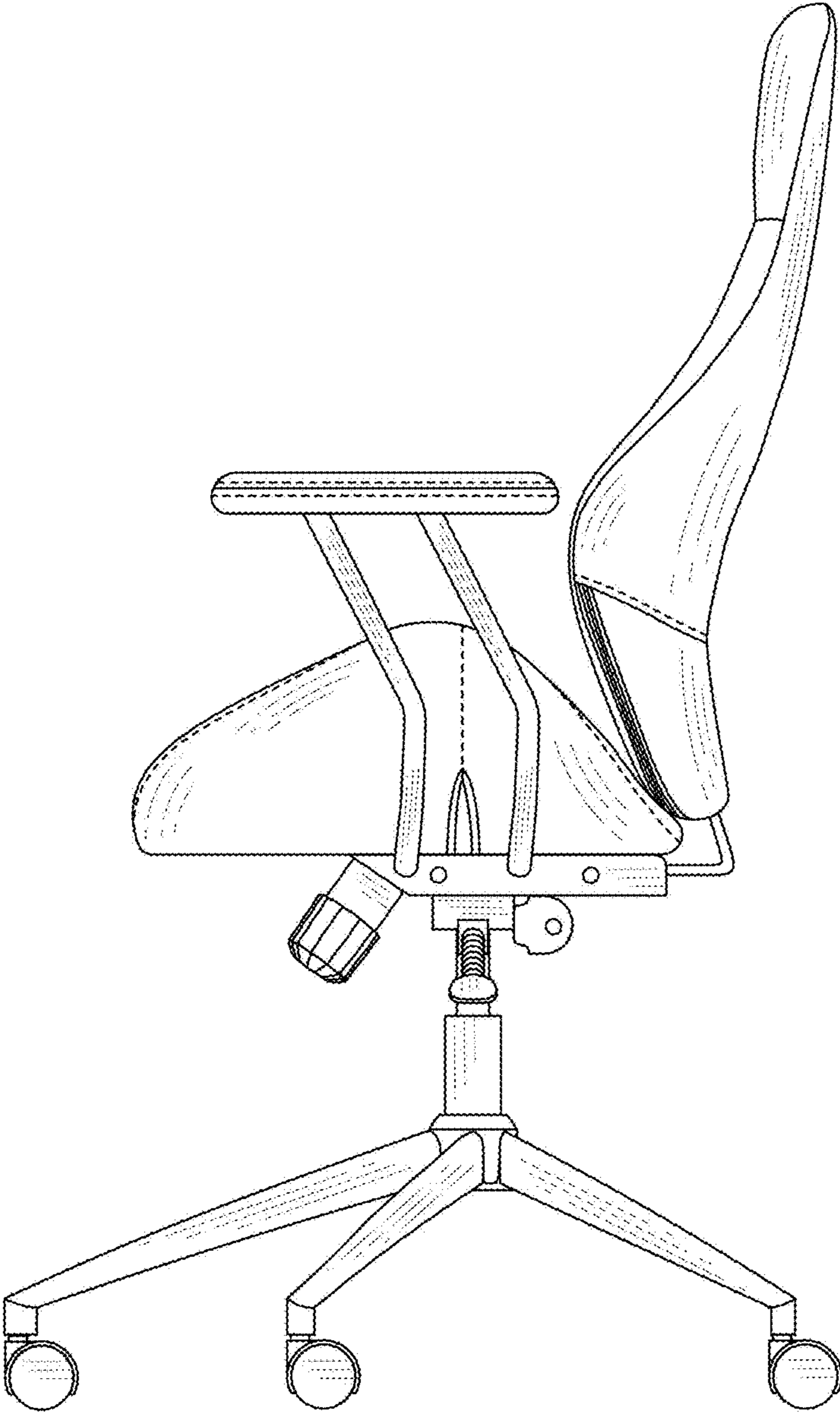


FIG. 5

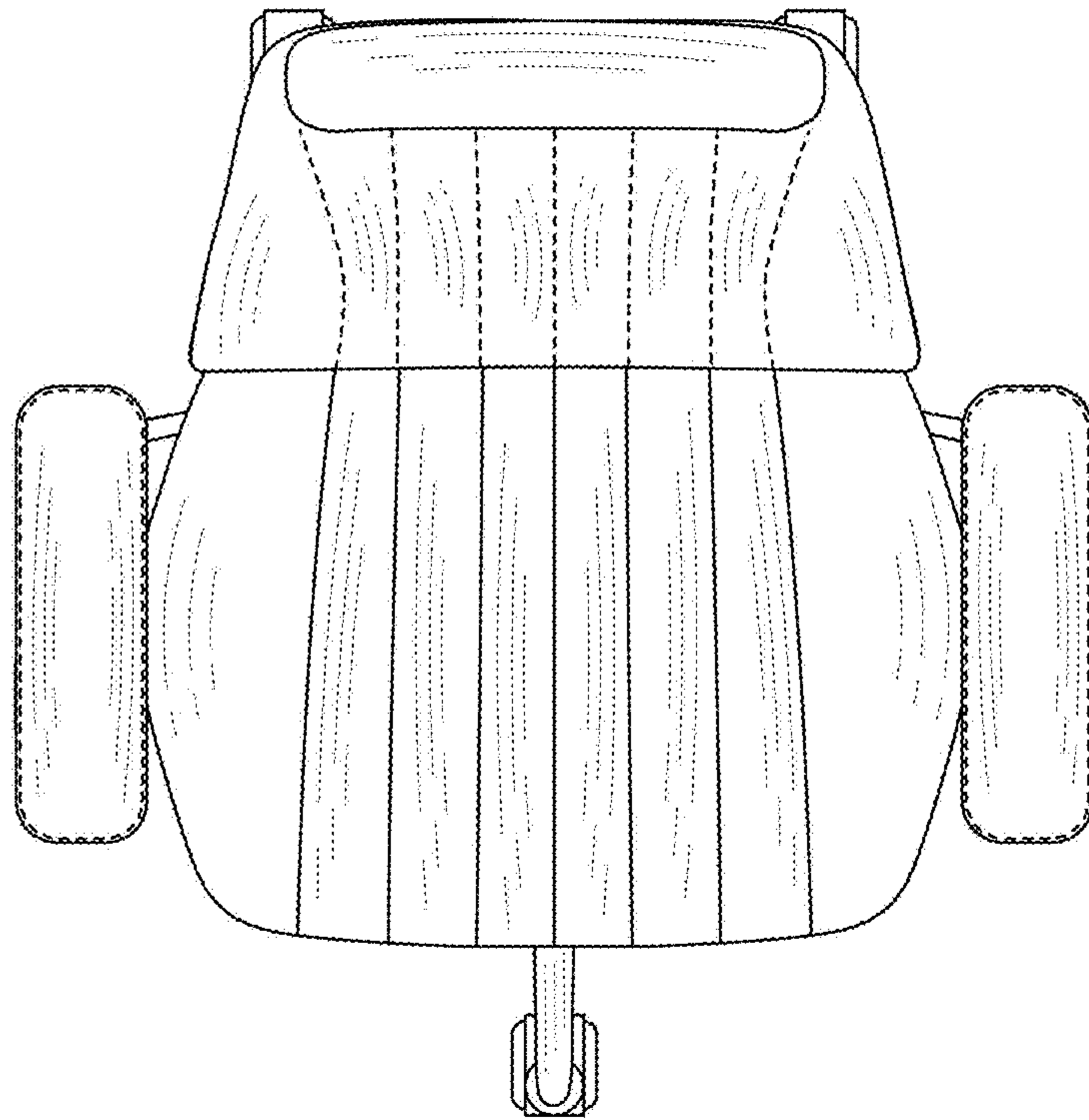


FIG. 6

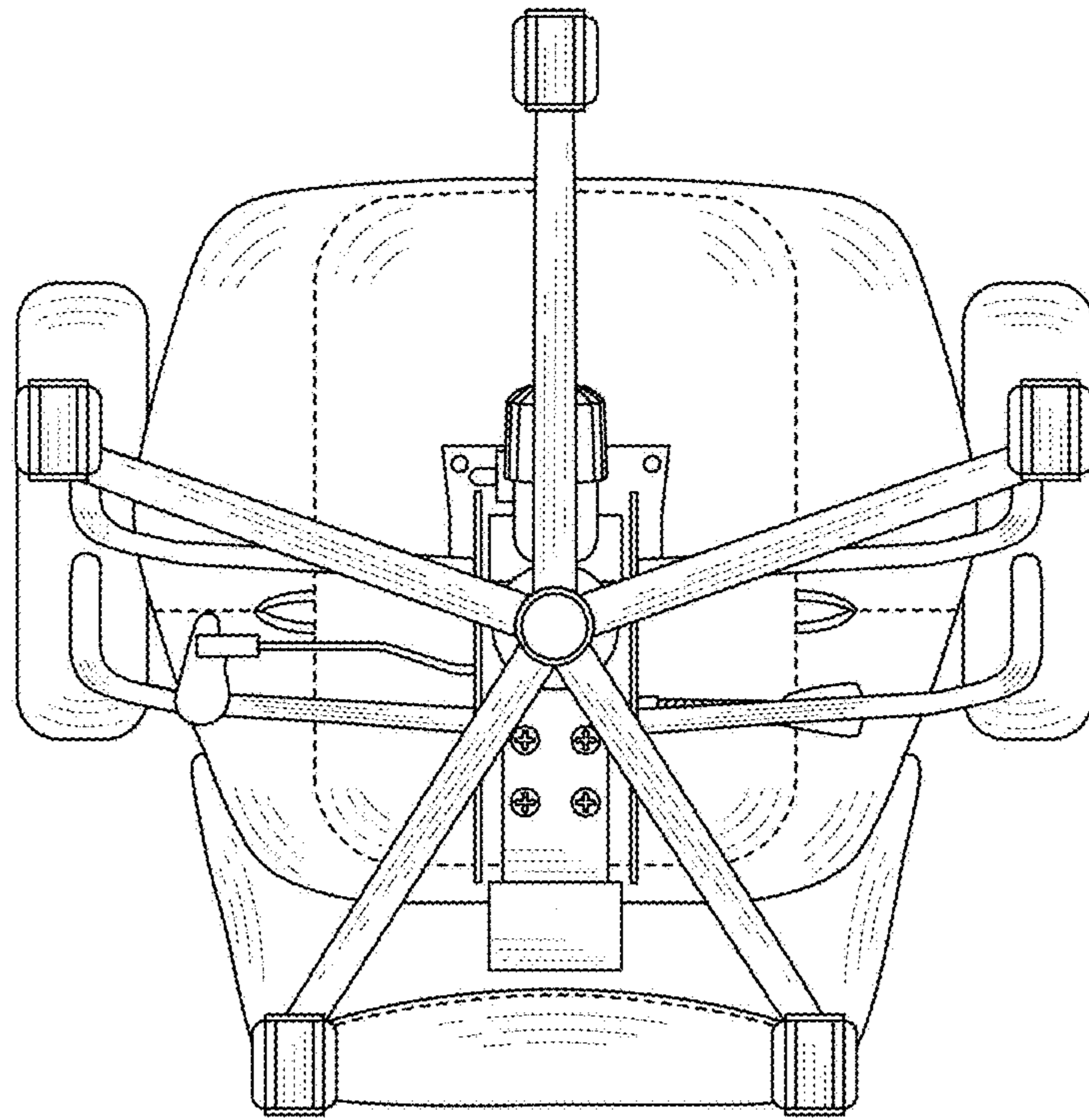


FIG. 7