



US00D927871S

(12) **United States Design Patent** (10) **Patent No.:** **US D927,871 S**  
**Velez** (45) **Date of Patent:** **\*\* Aug. 17, 2021**

(54) **SOFA**

(71) Applicant: **HOLLY HUNT ENTERPRISES, INC.**, Chicago, IL (US)

(72) Inventor: **Alberto Velez**, Chicago, IL (US)

(73) Assignee: **HOLLY HUNT ENTERPRISES, INC.**

(\*\*) Term: **15 Years**

(21) Appl. No.: **29/711,110**

(22) Filed: **Oct. 29, 2019**

(51) **LOC (13) Cl.** ..... **06-01**

(52) **U.S. Cl.**  
USPC ..... **D6/364**

(58) **Field of Classification Search**  
USPC ..... D6/334, 346, 349, 355, 360, 361, 362, D6/363, 364, 365, 366, 367, 368, 371, D6/372, 374, 375, 379, 380, 716.4  
CPC .... A47C 3/00; A47C 3/12; A47C 3/20; A47C 3/32; A47C 1/00; A47C 1/022; A47C 1/024; A47C 1/04; A47C 1/06; A47C 7/24; A47C 7/36; A47C 7/46; A47C 7/18; A47C 7/40; A47C 17/02  
See application file for complete search history.

(56) **References Cited**

**U.S. PATENT DOCUMENTS**

- 2,544,787 A \* 3/1951 Hand ..... A47C 17/02  
297/3
- 3,578,385 A \* 5/1971 Stiglitz ..... A47C 15/002  
297/440.23
- D335,779 S \* 5/1993 Newhouse ..... D6/334
- D382,129 S \* 8/1997 Lewis ..... D6/381
- D383,010 S \* 9/1997 Mourgue ..... D6/381
- D444,641 S \* 7/2001 Lipparini ..... D6/334
- D477,472 S \* 7/2003 Bauchet ..... D6/381
- D526,808 S \* 8/2006 Nastri ..... D6/381
- D643,643 S 8/2011 Lievore

(Continued)

**FOREIGN PATENT DOCUMENTS**

FR 2967028 A1 \* 5/2012 ..... A47C 21/003

**OTHER PUBLICATIONS**

Holly Hunt website, <https://www.hollyhunt.com/ShowProduct.aspx?ProductID=4058&ManufacturerID=1>, retrieved Oct. 28, 2019, pp. 1.

(Continued)

*Primary Examiner* — R. Johnson

(74) *Attorney, Agent, or Firm* — The Belles Group, P.C.

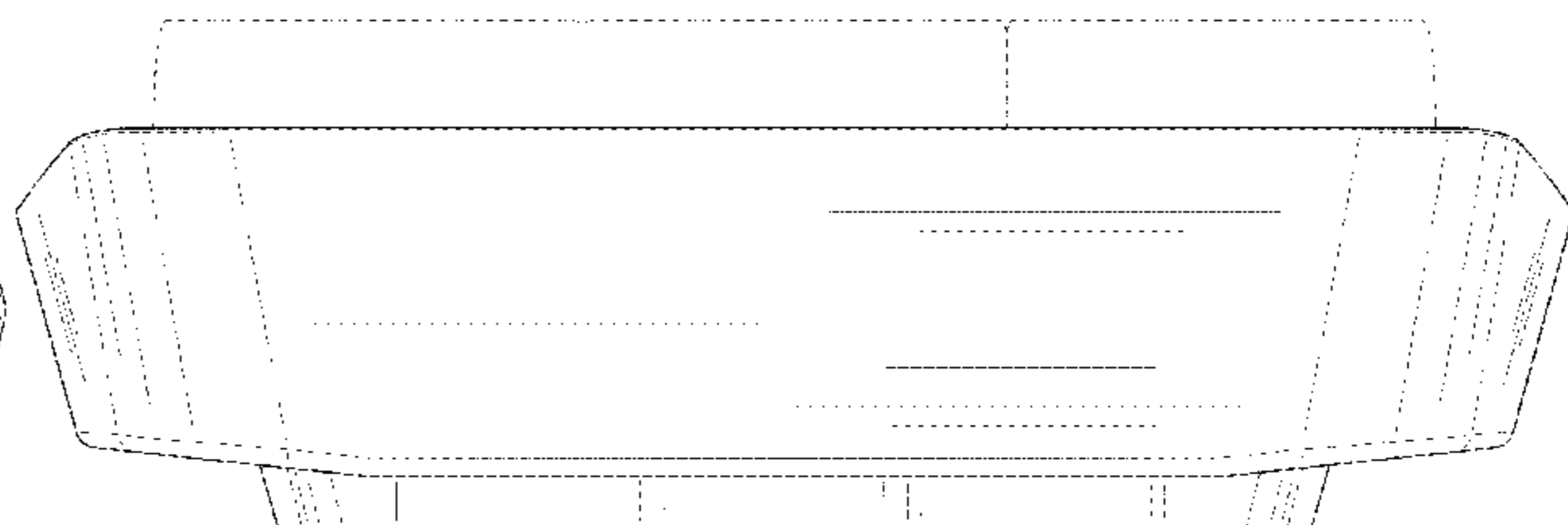
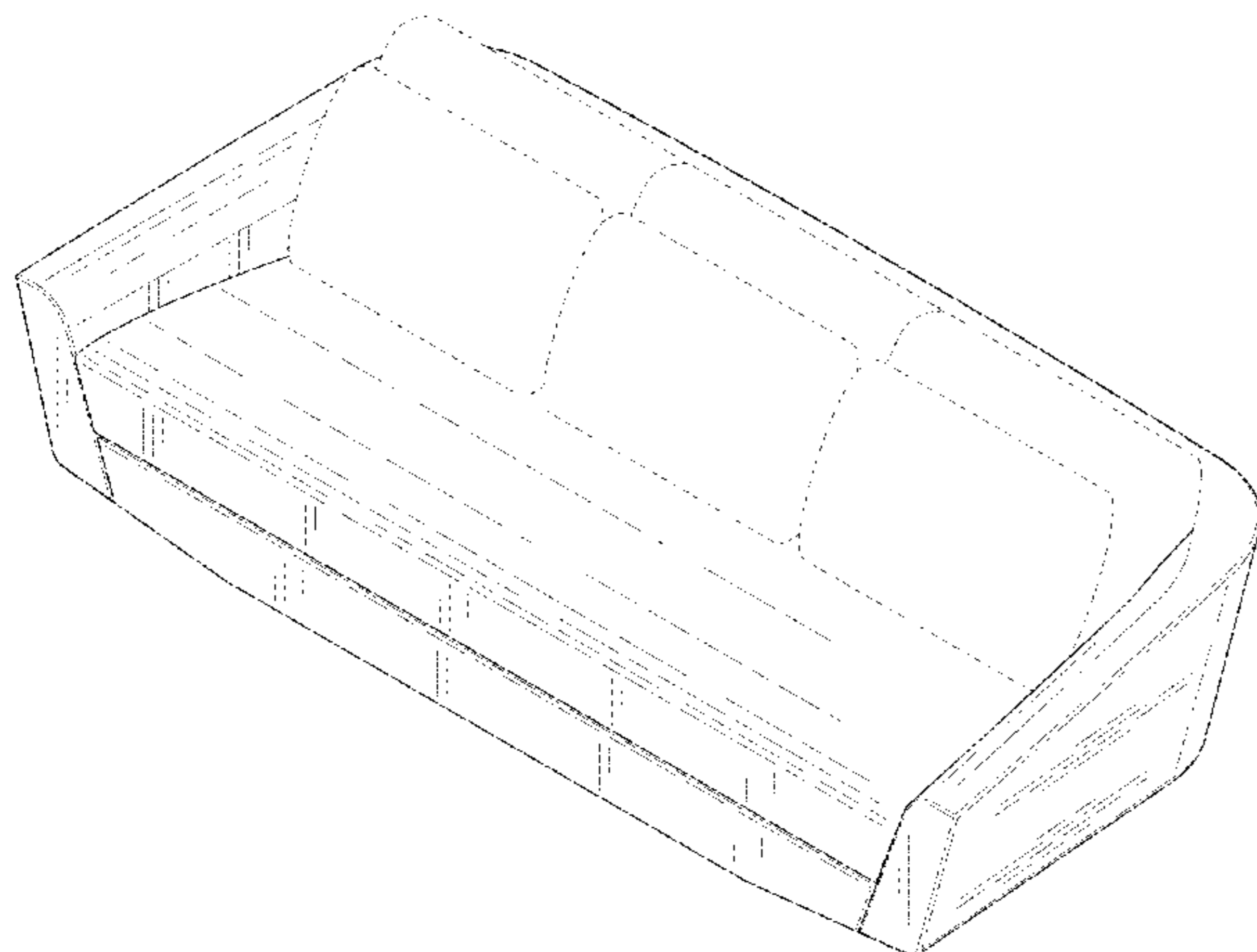
(57) **CLAIM**

The ornamental design for a sofa, as shown and described.

**DESCRIPTION**

FIG. 1 is a front perspective view of a sofa according to a first embodiment of the new design;  
FIG. 2 is a rear perspective view thereof;  
FIG. 3 is a front view thereof;  
FIG. 4 is a rear view thereof;  
FIG. 5 is a right side view thereof;  
FIG. 6 is a left side view thereof;  
FIG. 7 is a top view thereof;  
FIG. 8 is a bottom view thereof;  
FIG. 9 is a front perspective view of a sofa according to a second embodiment of the new design;  
FIG. 10 is a rear perspective view thereof;  
FIG. 11 is a front view thereof;  
FIG. 12 is a rear view thereof;  
FIG. 13 is a right side view thereof;  
FIG. 14 is a left side view thereof;  
FIG. 15 is a top view thereof; and,  
FIG. 16 is a bottom view thereof.  
The broken lines illustrate portions of the sofa that form no part of the claimed design.

**1 Claim, 16 Drawing Sheets**



(56)

**References Cited**

U.S. PATENT DOCUMENTS

RE43,754 E	10/2012	Andersen	
D692,249 S	10/2013	Lenney et al.	
D766,006 S *	9/2016	Lewis .....	D6/381
D887,160 S *	6/2020	Killinger .....	D6/374
D911,723 S *	3/2021	Yoo .....	D6/334
D915,098 S *	4/2021	Banda .....	D6/381

OTHER PUBLICATIONS

Holly Hunt website, <https://www.hollyhunt.com/ShowProduct.aspx?ProductID=8562&ManufacturerID=1>, retrieved Oct. 28, 2019, pp. 1.

Holly Hunt website, <https://www.hollyhunt.com/ShowProduct.aspx?ProductID=8808&ManufacturerID=1>, retrieved Oct. 28, 2019, pp. 1.

Holly Hunt website, <https://www.hollyhunt.com/ShowProduct.aspx?ProductID=8988&ManufacturerID=1>, retrieved Oct. 28, 2019, pp. 1.

Holly Hunt website, <https://www.hollyhunt.com/ShowProduct.aspx?ProductID=7779&ManufacturerID=1>, retrieved Oct. 28, 2019, pp. 1.

Holly Hunt website, <https://www.hollyhunt.com/ShowProduct.aspx?ProductID=12215&ManufacturerID=37>, retrieved Oct. 28, 2019, pp. 1.

\* cited by examiner

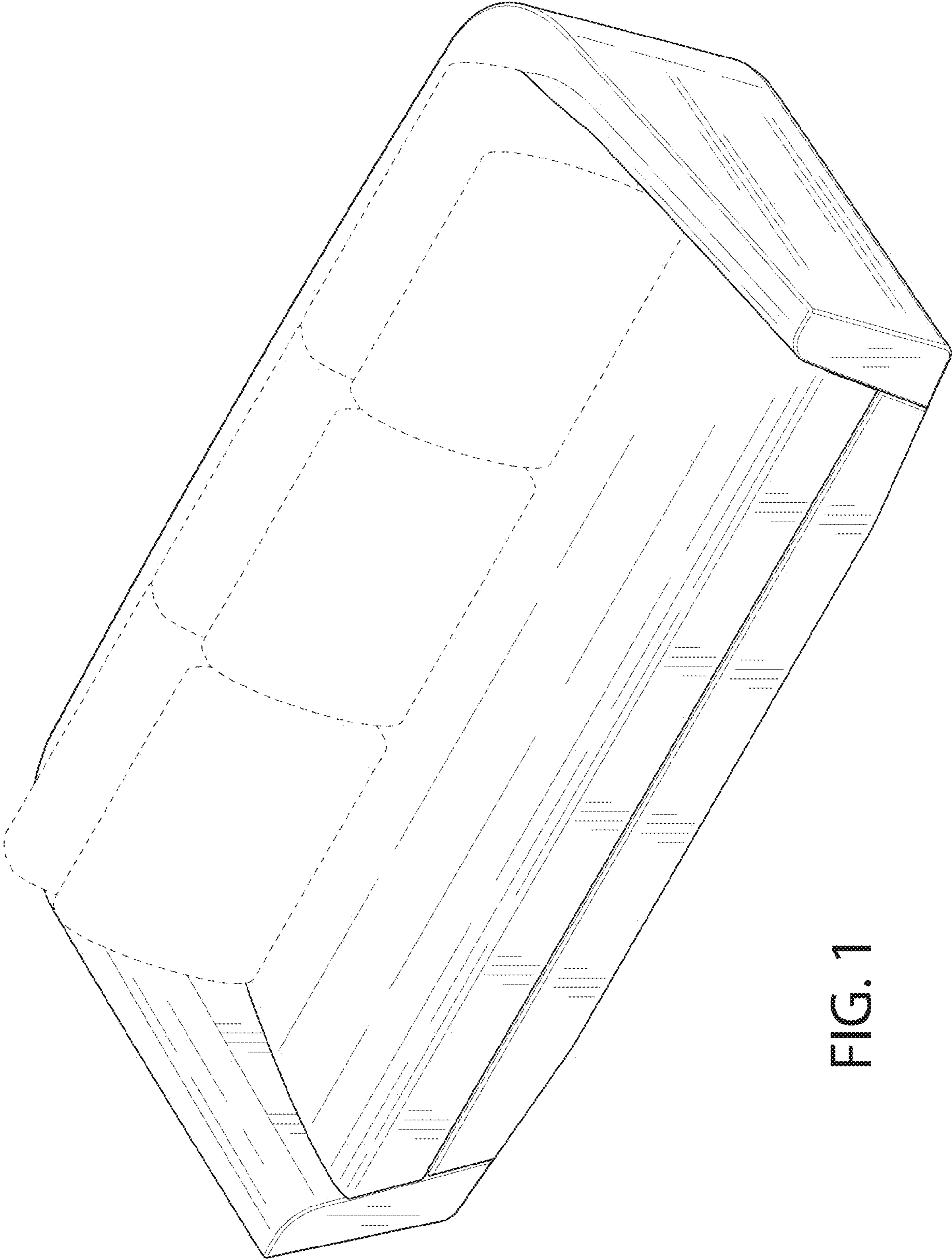


FIG. 1

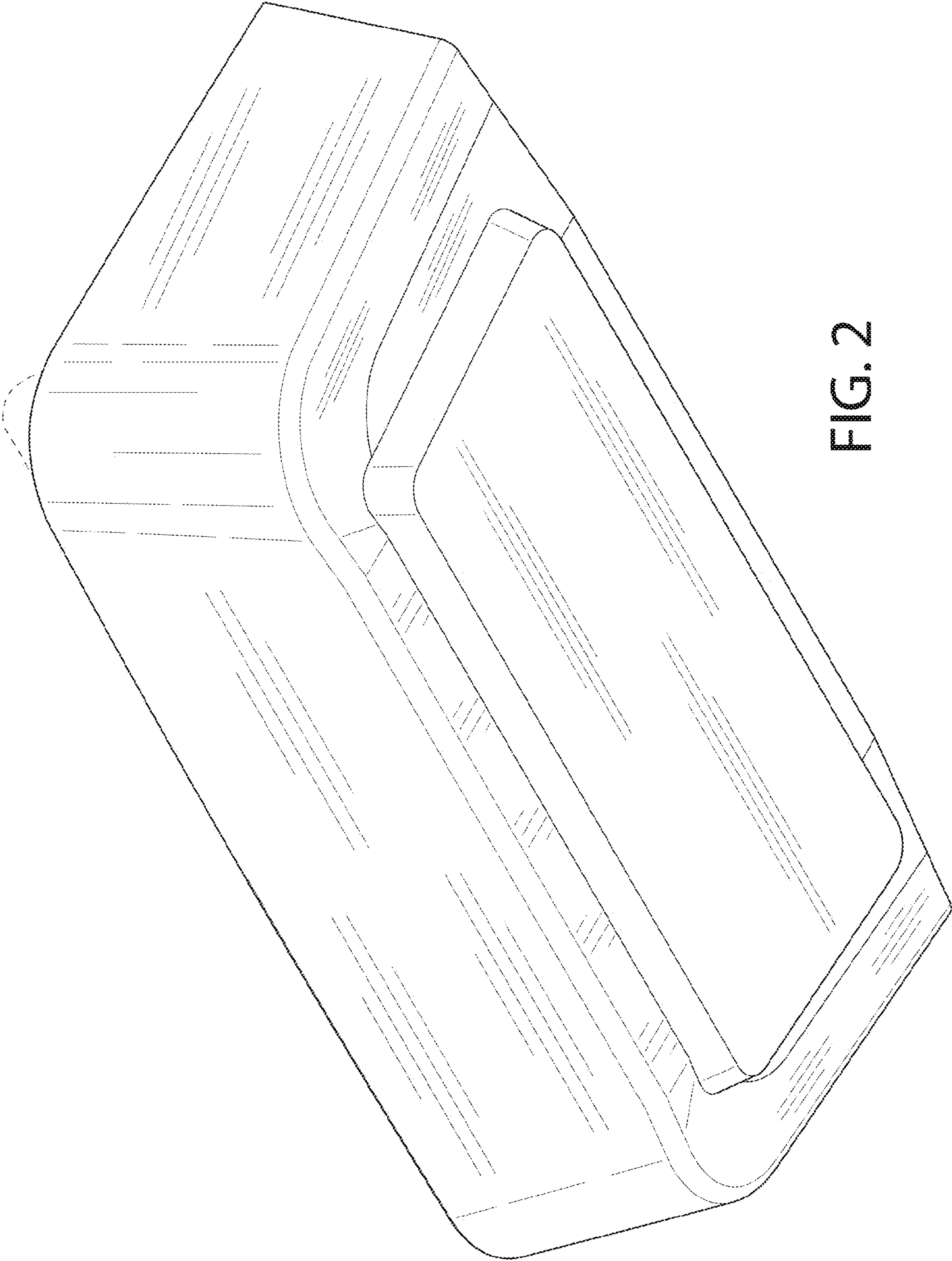


FIG. 2



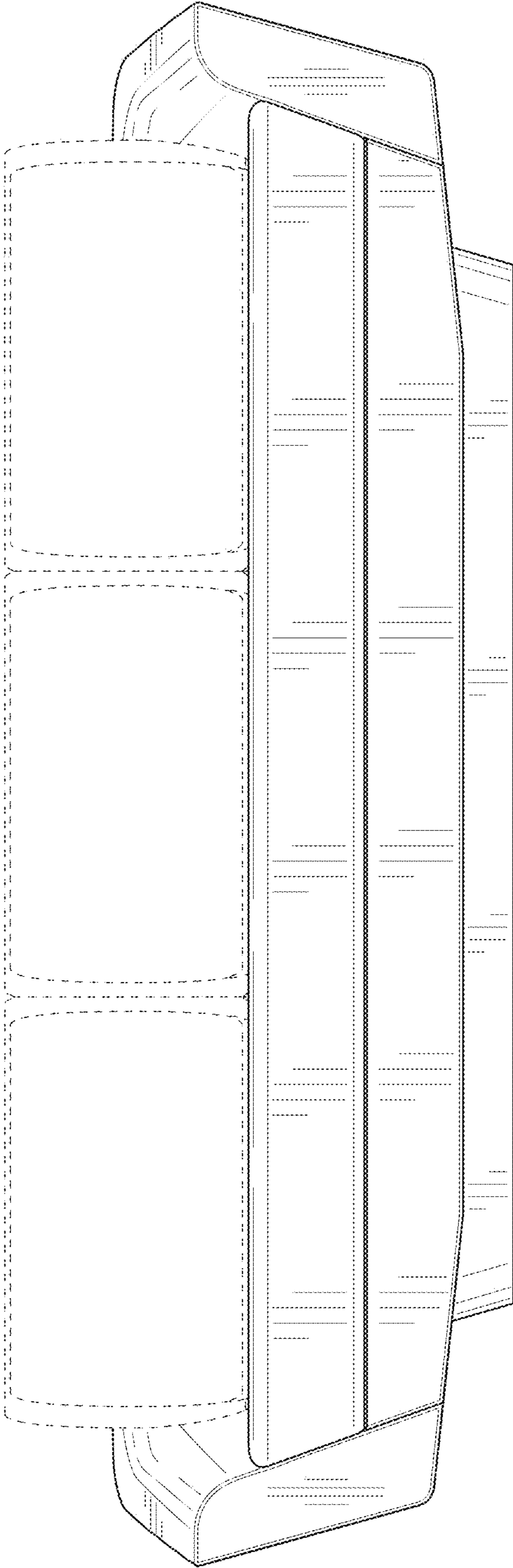


FIG. 3

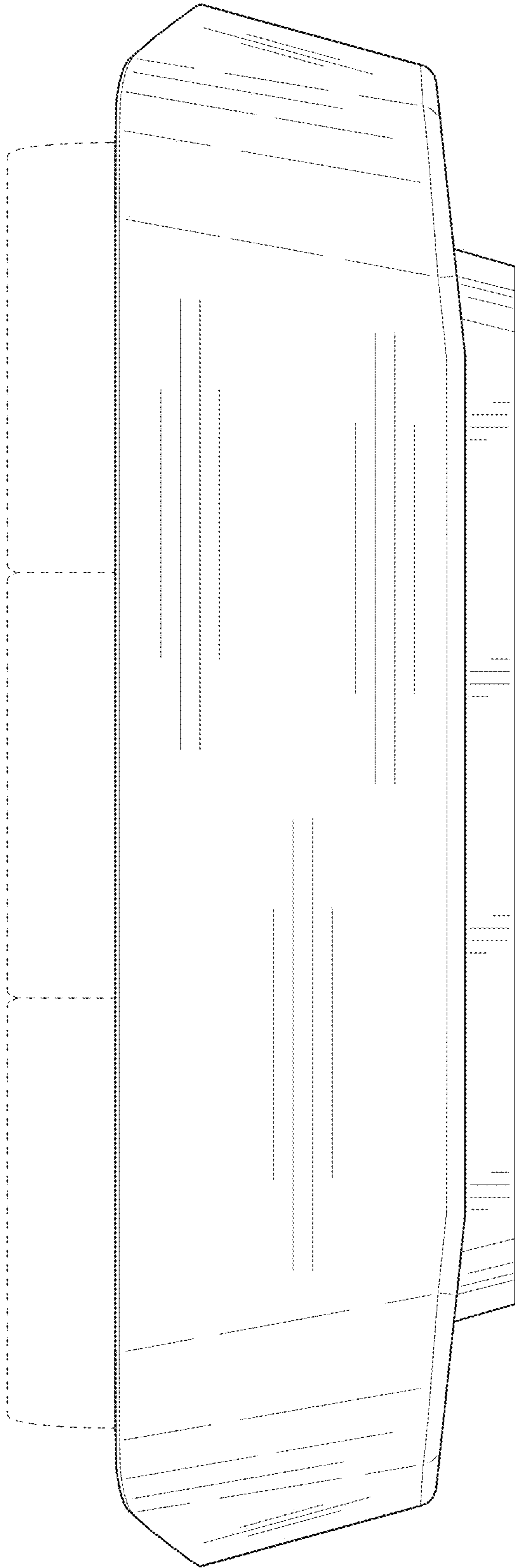


FIG. 4

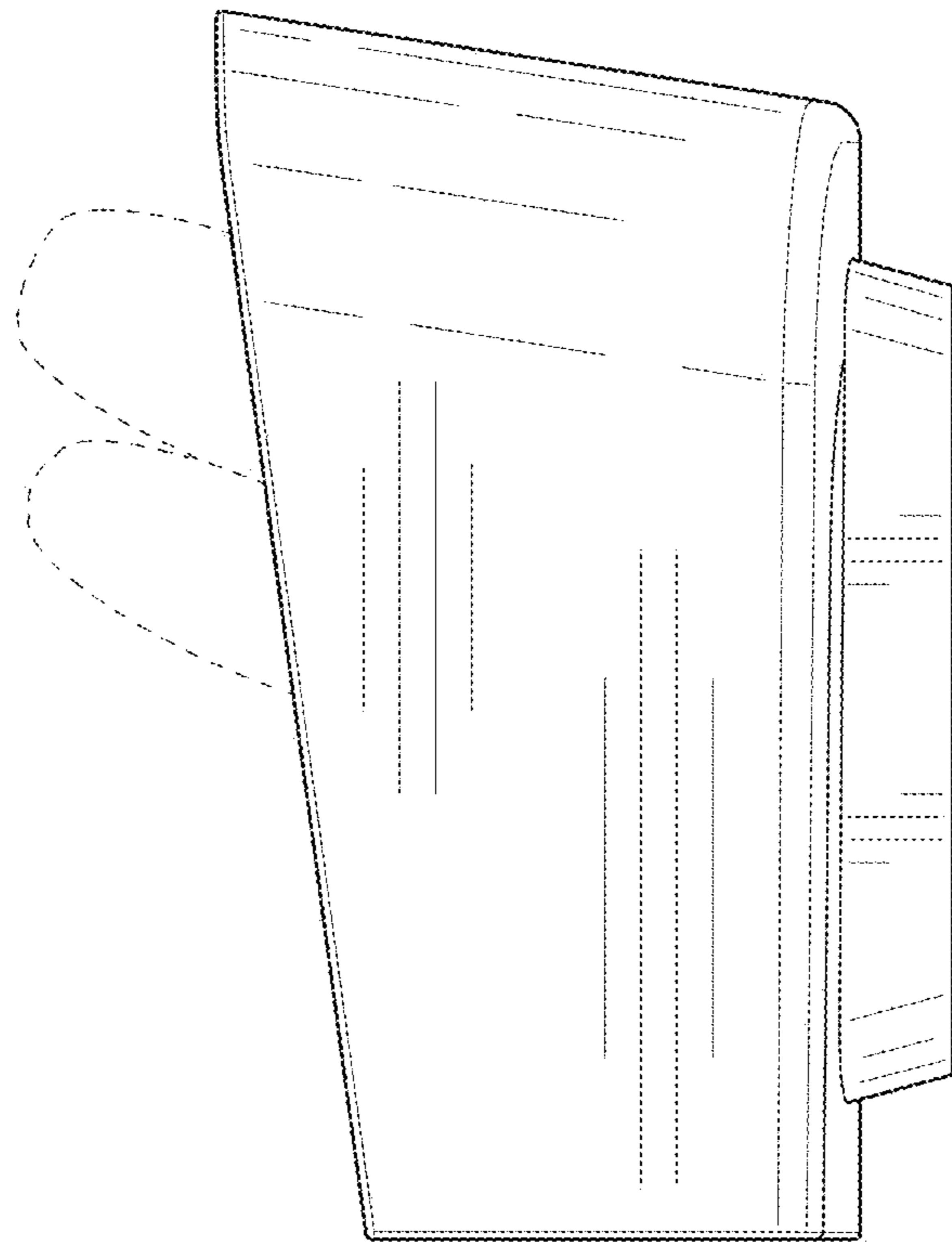


FIG. 5

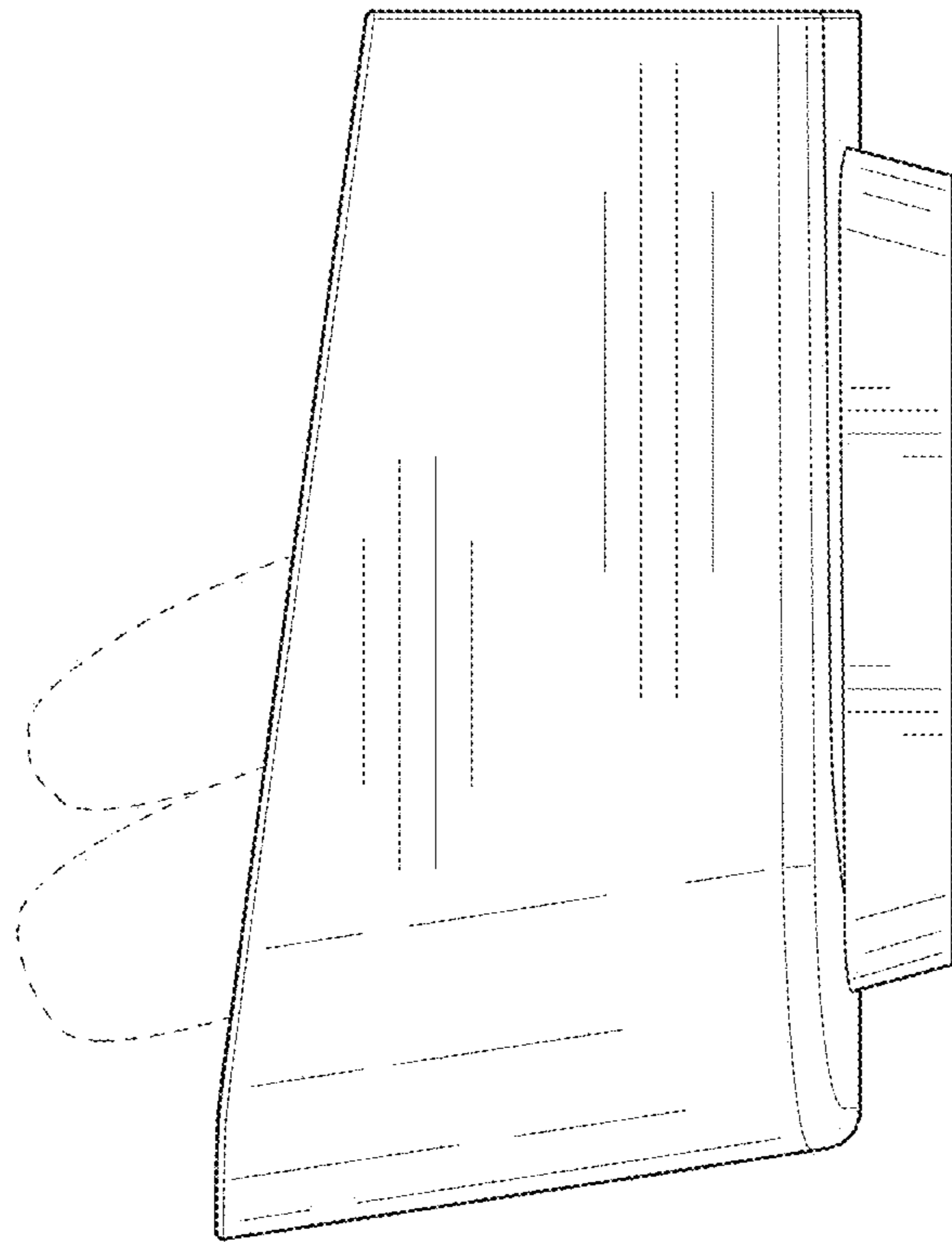


FIG. 6



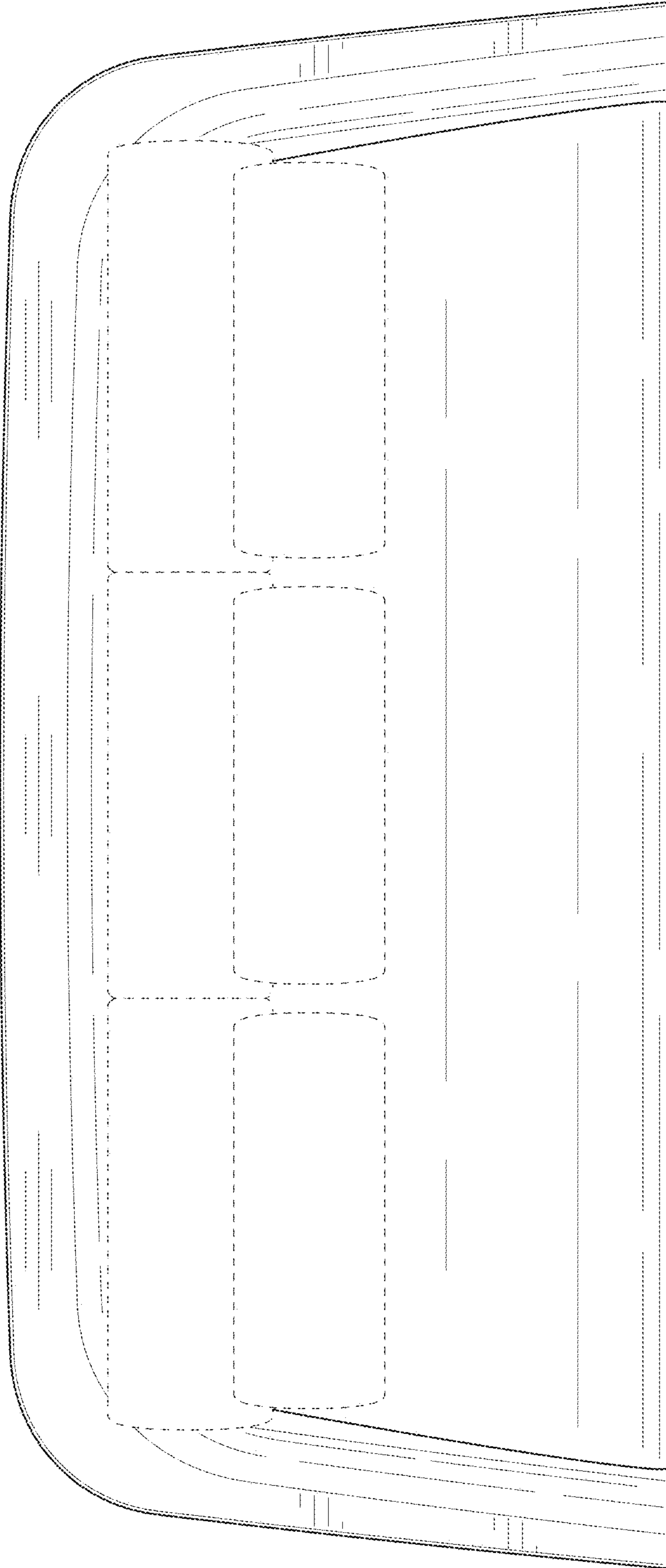


FIG. 7

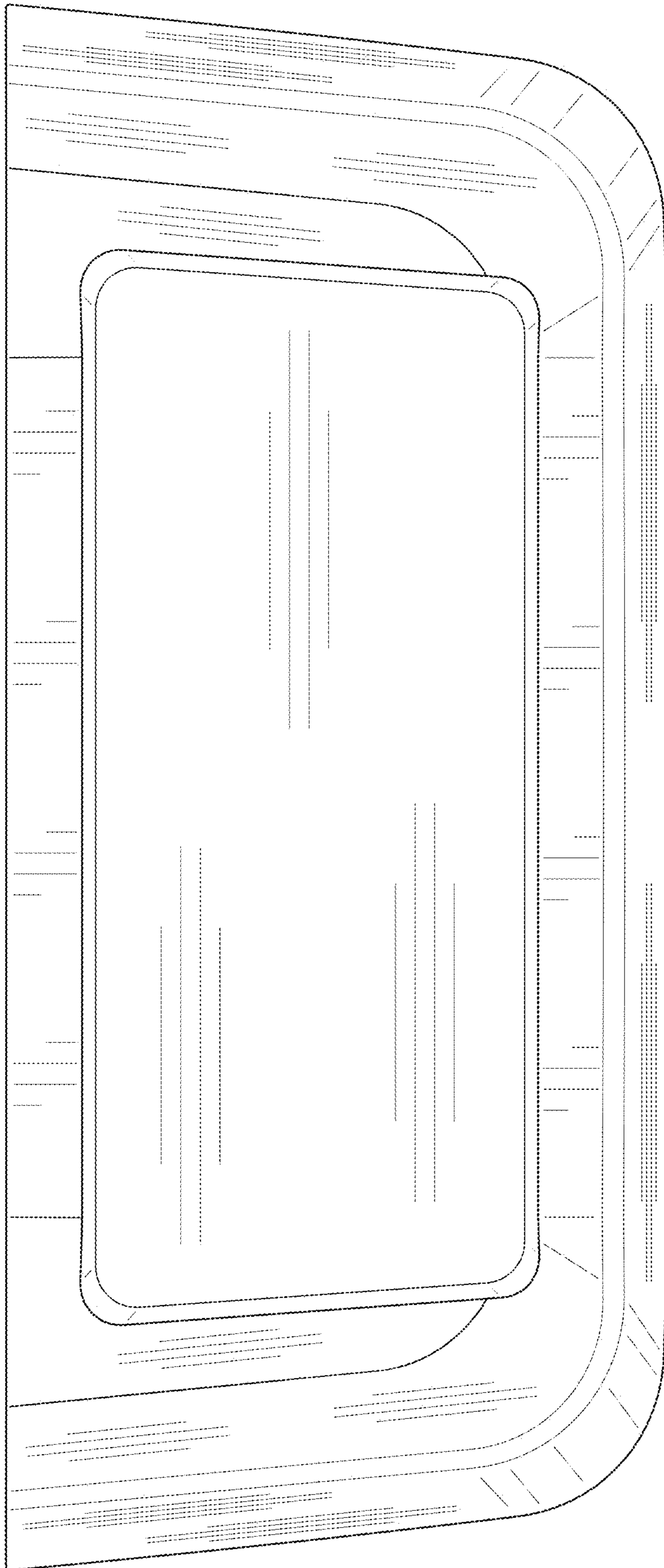


FIG. 8

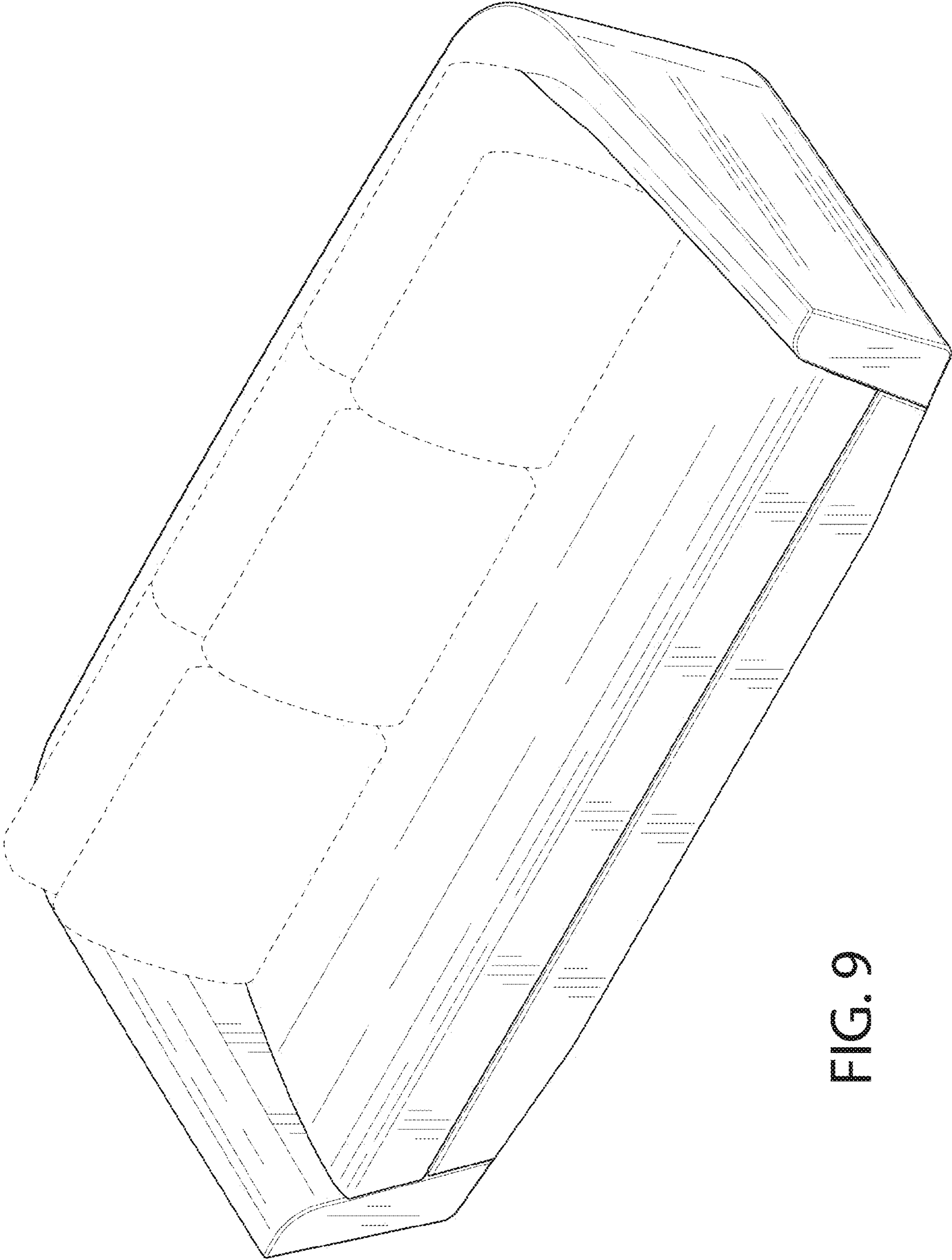


FIG. 9

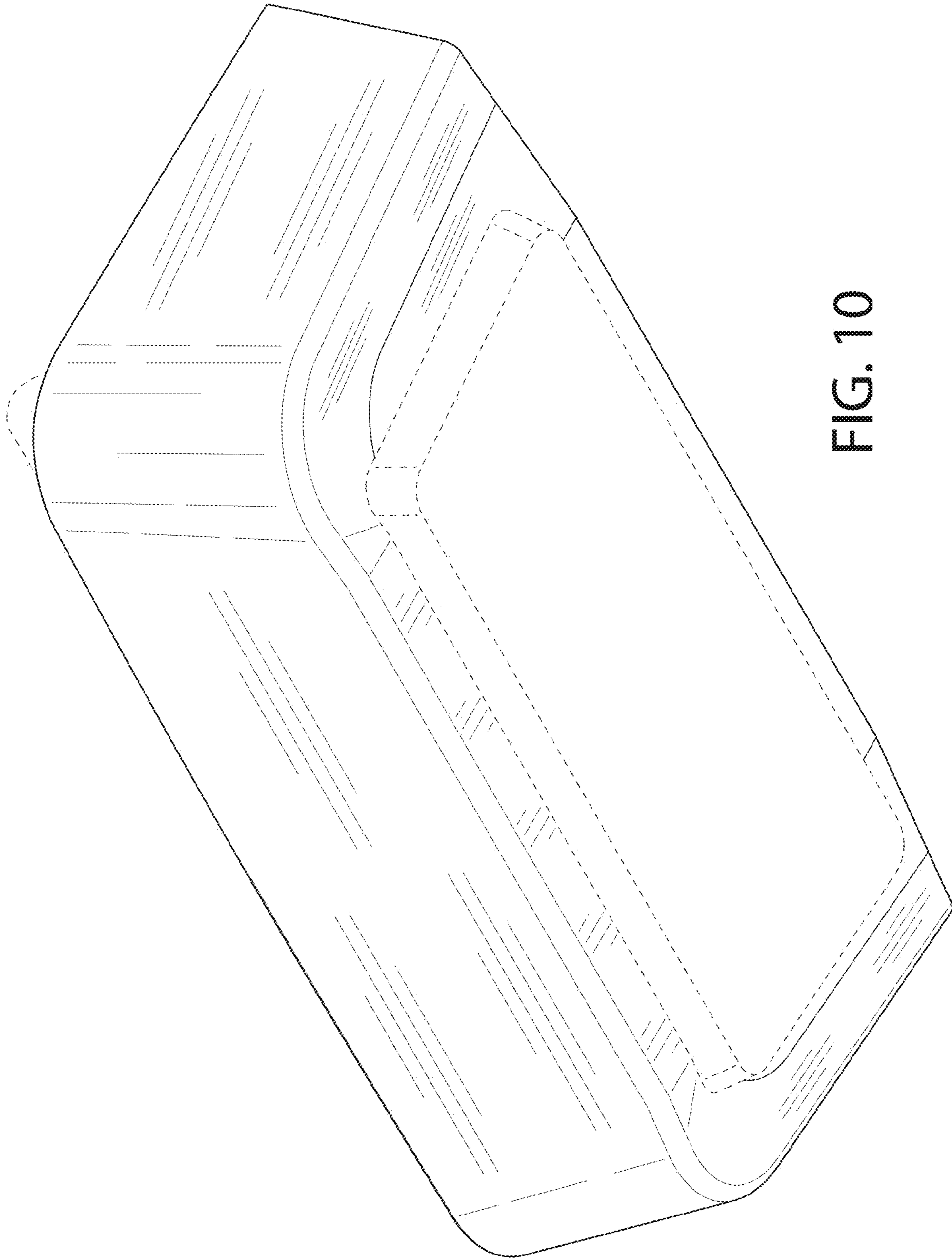


FIG. 10

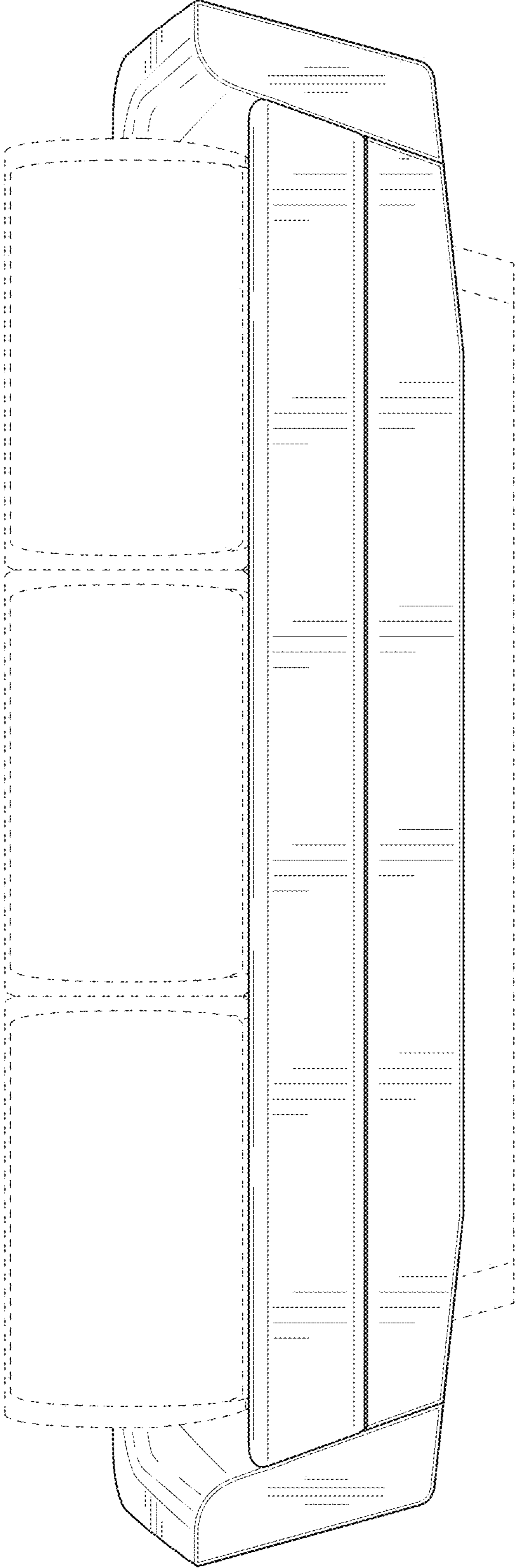


FIG. 11



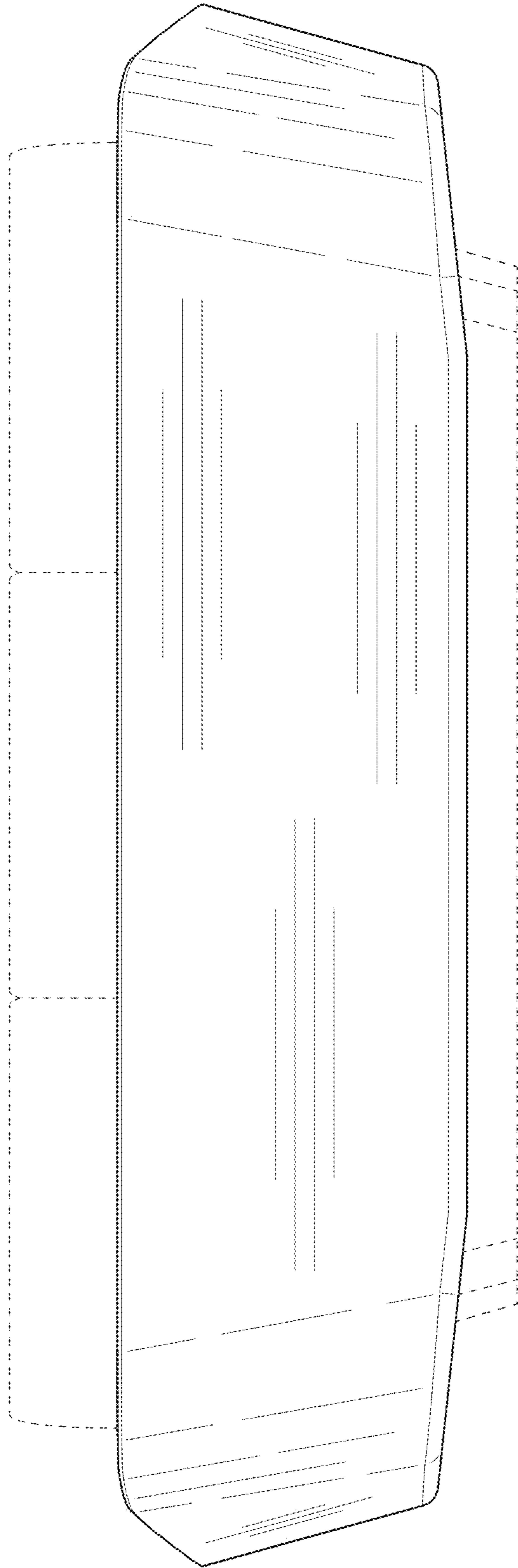


FIG. 12

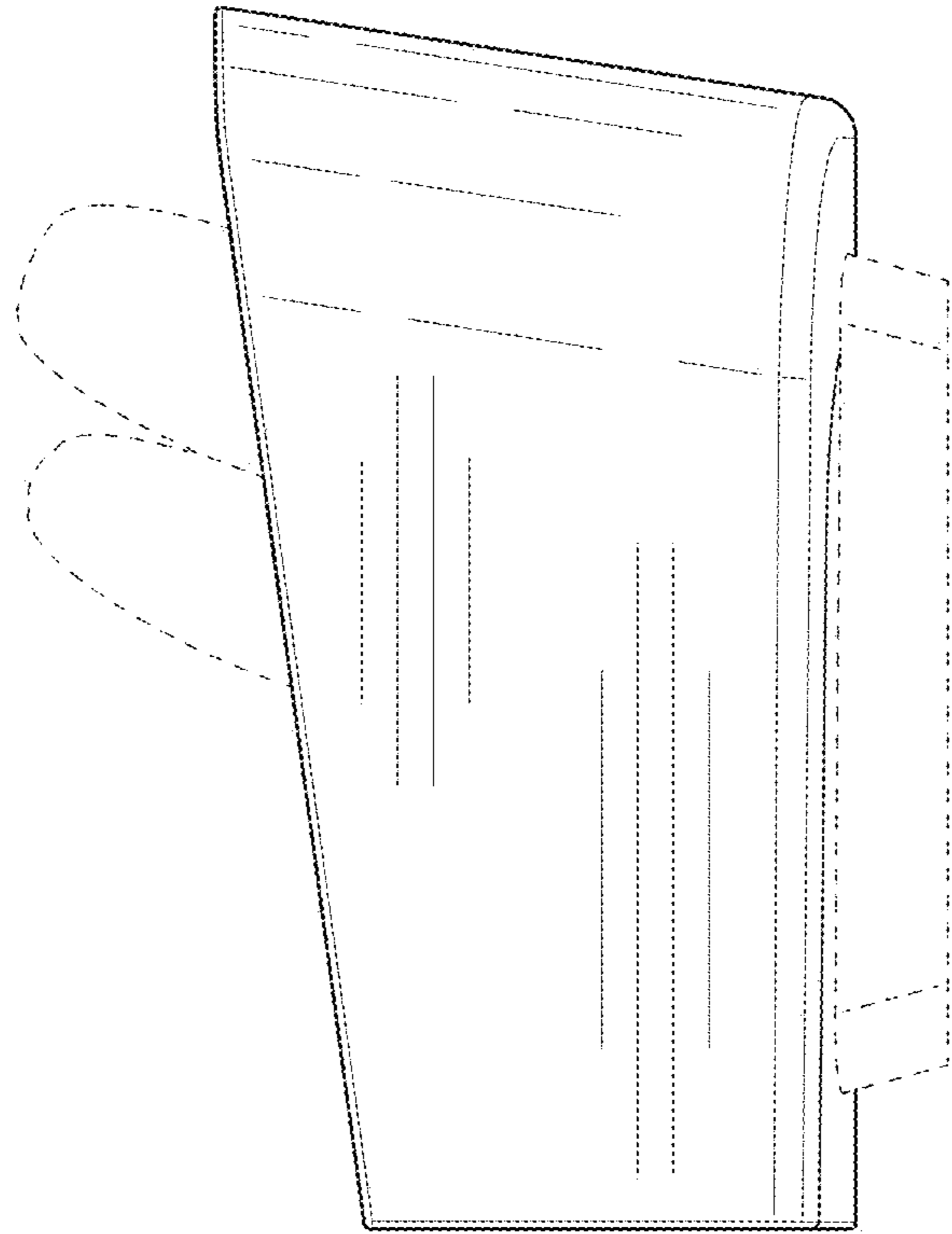


FIG. 13

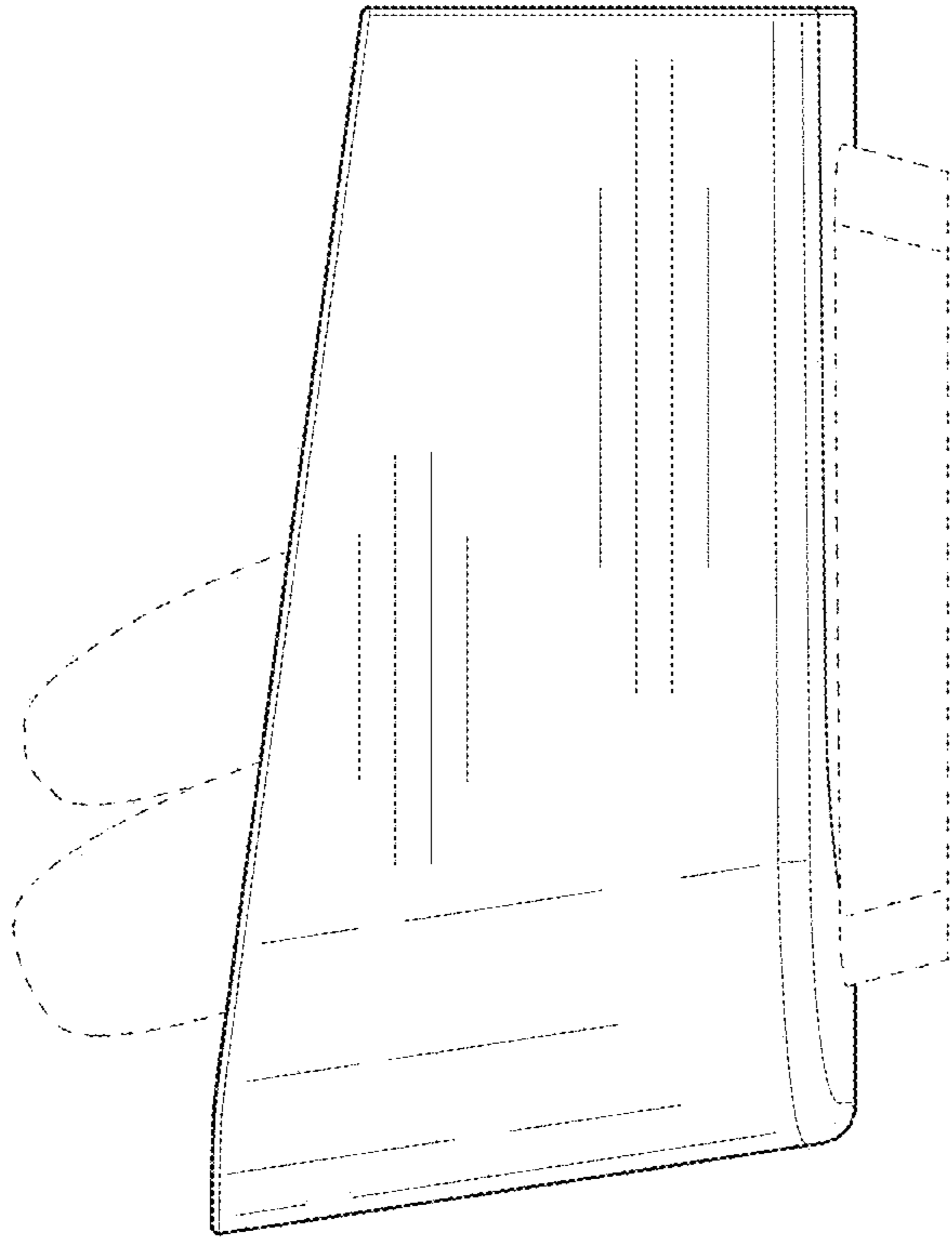


FIG. 14

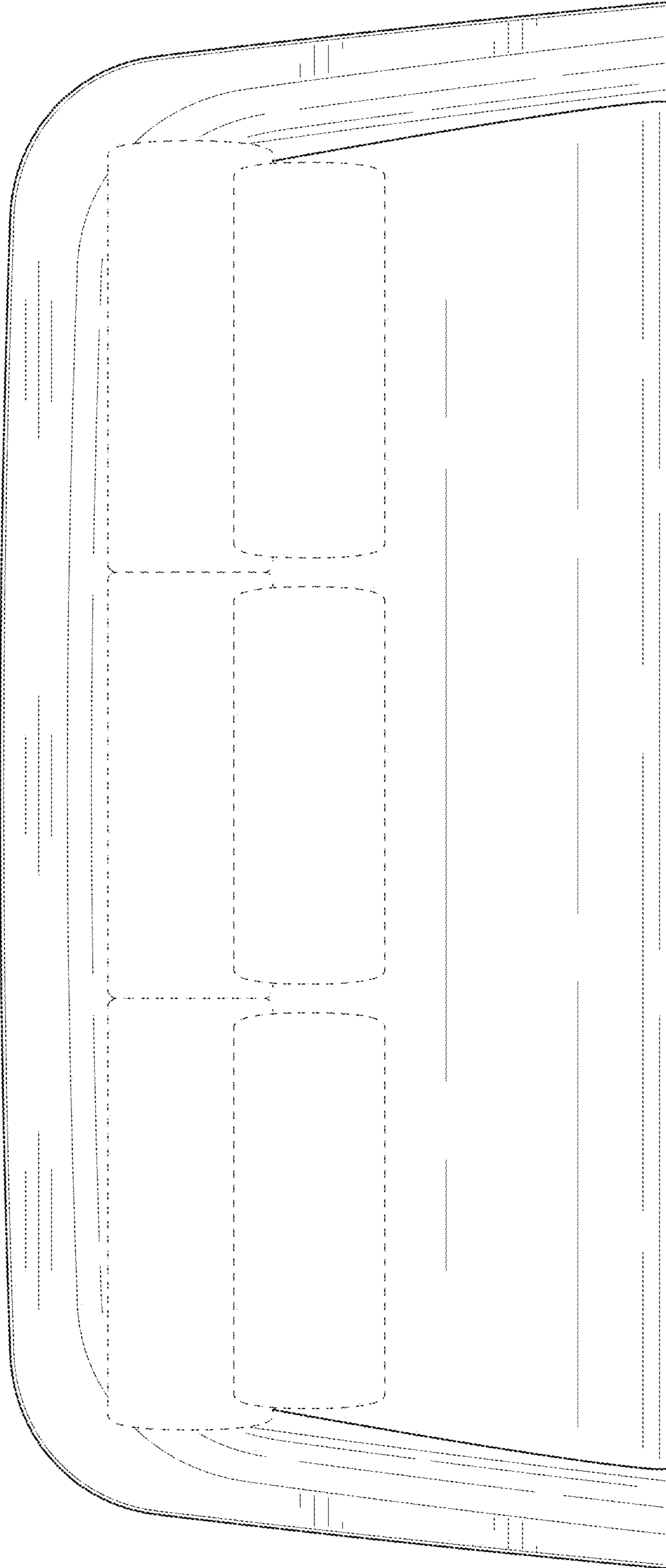


FIG. 15

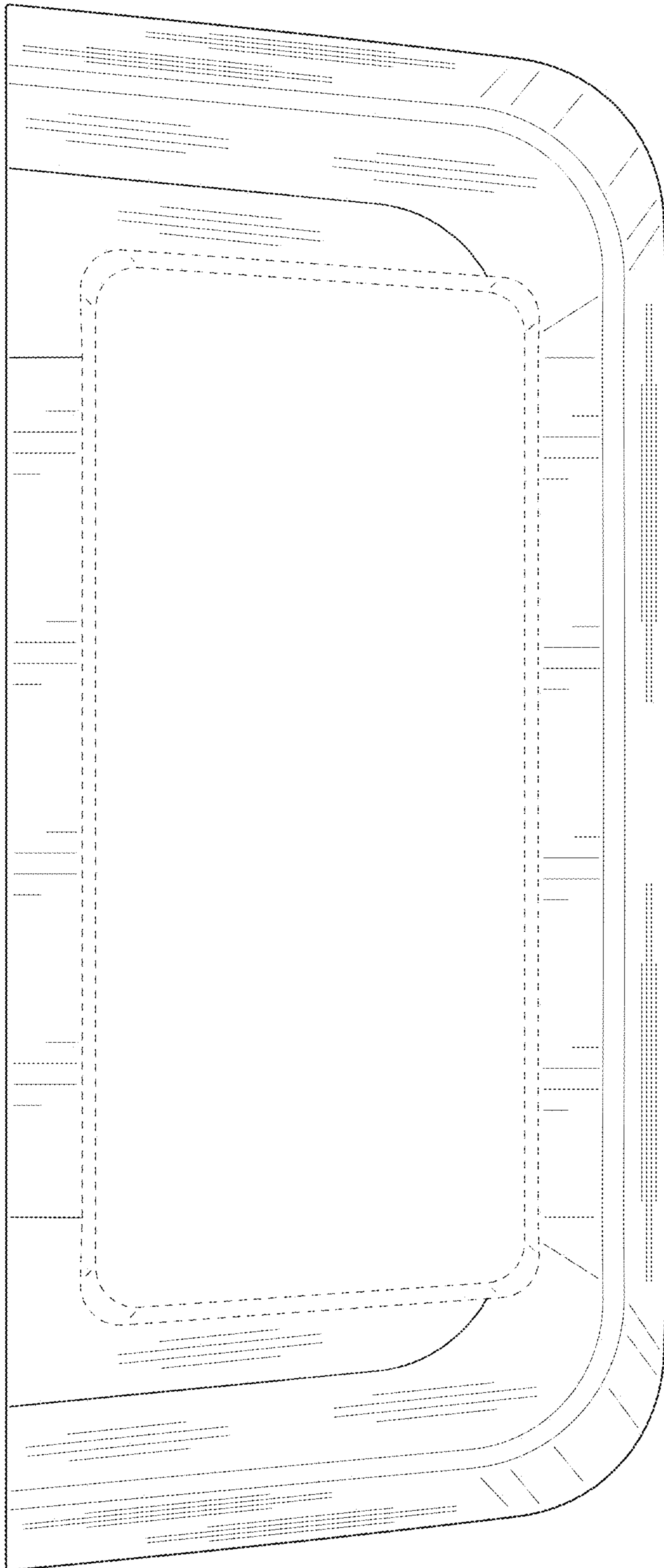


FIG. 16