



US00D927869S

(12) **United States Design Patent** (10) **Patent No.:** **US D927,869 S**
Sunstrom et al. (45) **Date of Patent:** **** Aug. 17, 2021**

(54) **DESK SUPPORT SEAT**

FOREIGN PATENT DOCUMENTS

(71) Applicant: **School Specialty, Inc.**, Greenville, WI (US)

CN 303003087 * 6/2014
CN 306253545 * 6/2020
CN 306474108 * 6/2020

(72) Inventors: **Adam Sunstrom**, Appleton, WI (US);
Ryan Haase, Temple, TX (US)

OTHER PUBLICATIONS

(73) Assignee: **School Specialty, LLC**, Greenville, WI (US)

Classroom Select NeoRyde Stool [online], [site visited Jun. 2, 2021]. Available from internet, URL: <https://www.schoolspecialty.com/classroom-select-neoryde-stool-adjustable-height-rubber-base-5002717> (Year: 2021).*

(**) Term: **15 Years**

(Continued)

(21) Appl. No.: **29/719,097**

Primary Examiner — Cynthia Ramirez

(22) Filed: **Dec. 31, 2019**

Assistant Examiner — Xavier Marti-Santos

(51) **LOC (13) Cl.** **06-01**

(74) *Attorney, Agent, or Firm* — Nicholas A. Kees;
Godfrey & Kahn, S.C.

(52) **U.S. Cl.**

USPC **D6/338**

(58) **Field of Classification Search**

USPC D6/334, 335, 336, 338, 340, 354, 360

CPC A47B 39/00; A47B 41/00; A47C 7/54;

A47C 7/002; A47C 7/004; A47C 9/002;

A47C 9/005; A47C 9/025; A47D 1/008;

A47D 3/00; A47D 3/001; A47D 3/005

See application file for complete search history.

(57) **CLAIM**

The ornamental design for a desk support seat, as shown and described.

DESCRIPTION

(56) **References Cited**

U.S. PATENT DOCUMENTS

D47,897 S * 9/1915 Ruggles D6/340

D140,281 S * 2/1945 Weller D6/340

2,702,584 A * 2/1955 Williams A47C 7/42

297/124

D292,852 S * 11/1987 Rykken D6/300

4,995,668 A 2/1991 Zivari

5,511,851 A 4/1996 Zivari

D398,452 S * 9/1998 Reddig D6/338

D428,713 S * 8/2000 Arko D6/336

D441,209 S * 5/2001 Hagstrom D6/360

D605,862 S * 12/2009 Weeks D6/338

7,625,047 B2 12/2009 Bertele

8,297,706 B2 10/2012 Matthews

(Continued)

FIG. 1 is a perspective view of a desk support seat according to our new design, generally from an upper angle;

FIG. 2 is a perspective view thereof, generally from a lower angle;

FIG. 3 is rear view thereof;

FIG. 4 is a front view thereof;

FIG. 5 is a left side view thereof;

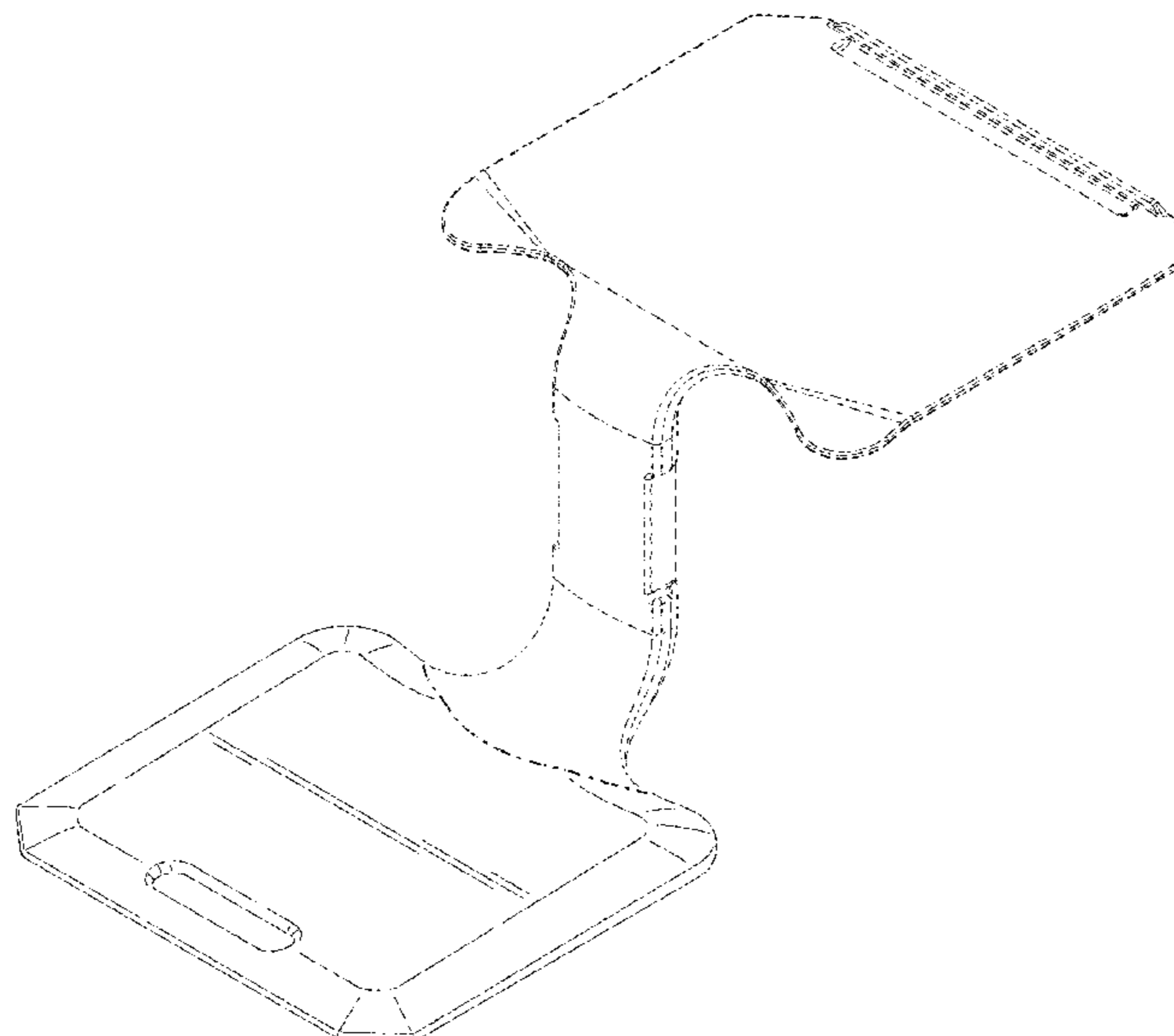
FIG. 6 is a right side view thereof;

FIG. 7 is a top plan view thereof; and,

FIG. 8 is a bottom plan view thereof.

The broken lines in the various drawing figures show portions of the article that form no part of the claimed design. The dash-dot broken lines define the bound of the claimed design and form no part thereof.

1 Claim, 10 Drawing Sheets



(56)

References Cited

U.S. PATENT DOCUMENTS

D685,585 S * 7/2013 Udagawa D6/338
D699,454 S * 2/2014 Starck D6/349
D751,306 S * 3/2016 Winningham D6/336
9,516,947 B2 12/2016 Taylor
9,538,839 B2 1/2017 Favaro
10,306,996 B1 6/2019 Sima
10,368,638 B2 8/2019 Hui
D905,455 S * 12/2020 Fletcher D6/340
2013/0221710 A1* 8/2013 Udagawa A47B 39/10
297/174 R

OTHER PUBLICATIONS

Classroom Select NeoSync [online], [site visited Jun. 2, 2021].
Available from internet, URL: <https://www.schoolspecialty.com/ProductDisplay?top_category5=%5B%5Cjava.lang.String%3B%401a9b8110&top_category4=%5B%5Cjava.lang.String%3B%40bc794a10&top_category3=%5B%5Cjava.lang.String%3B%40f5c3eb2d&urlRequestType=Base&productId=3074457345617555288&catalogId=10101&top_category2=%5B%5Cjava.lang.String%3B%4089d11ab8&categoryId=3074457345616724946&errorViewName=ProductDisplayErrorView&urlLangId=-1&langId=-1&top_category=3074457345616724768&parent_category_rn=3074457345616724775&storeId=10801> (Year: 2021).*

* cited by examiner

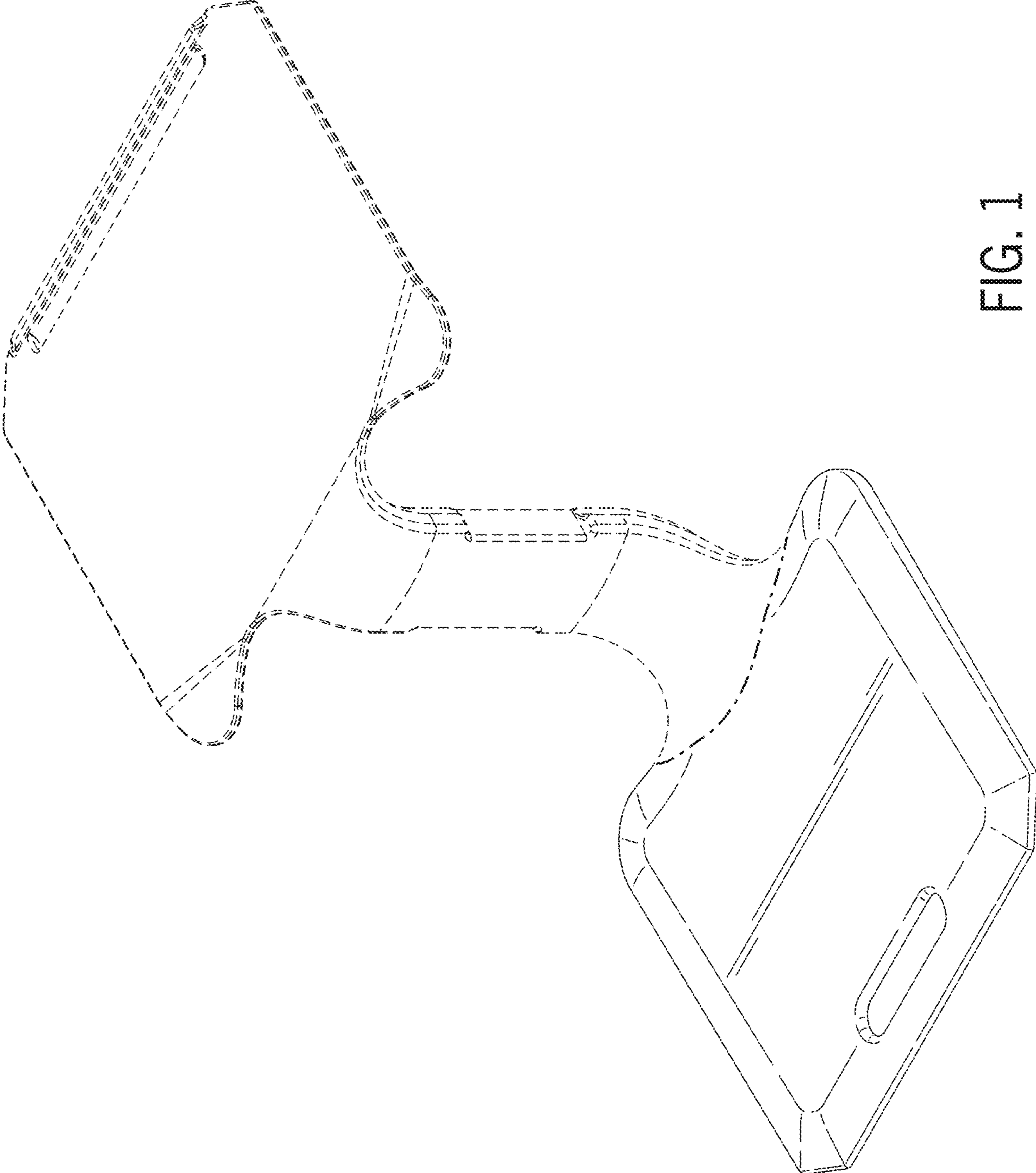


FIG. 1

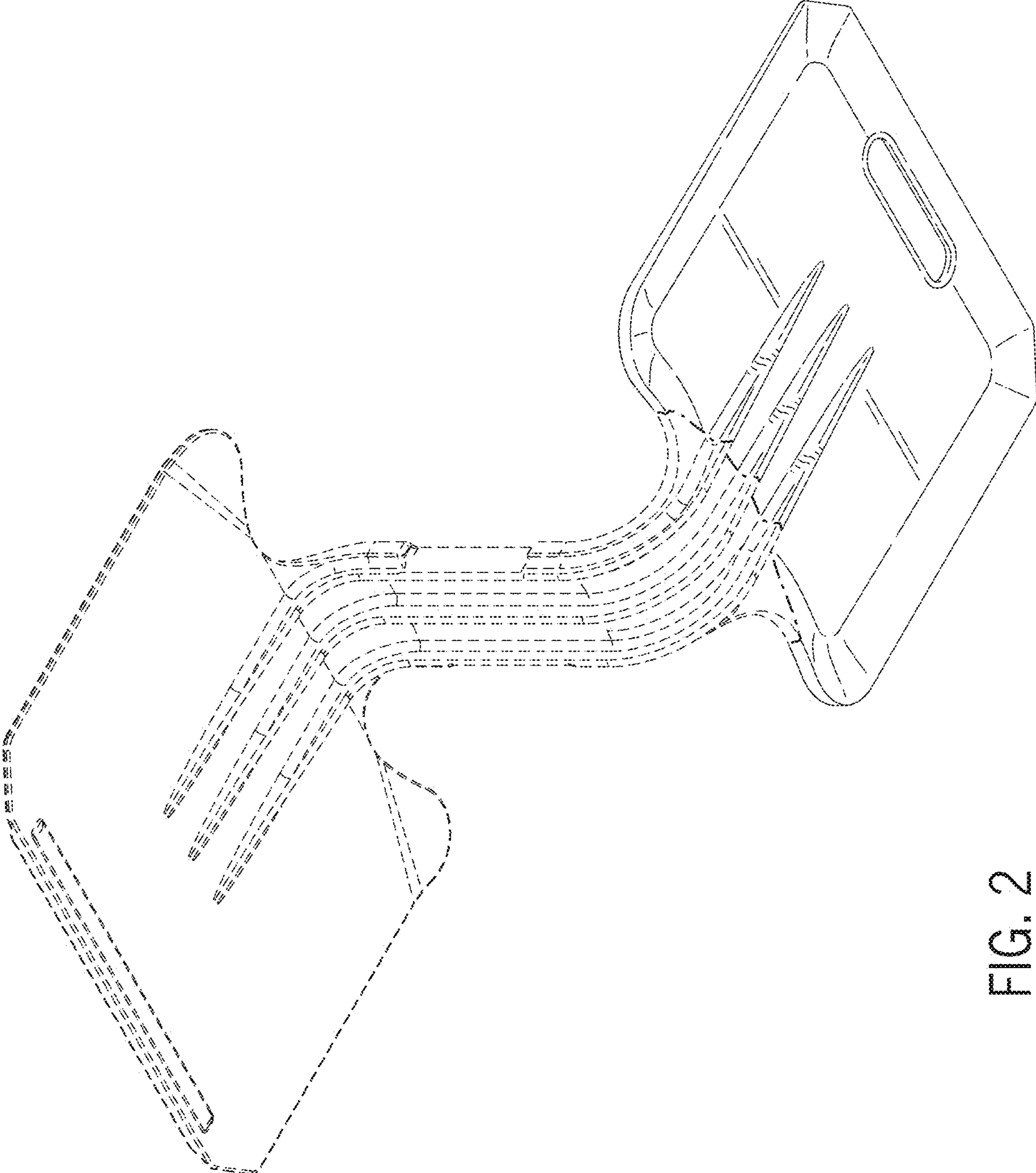


FIG. 2

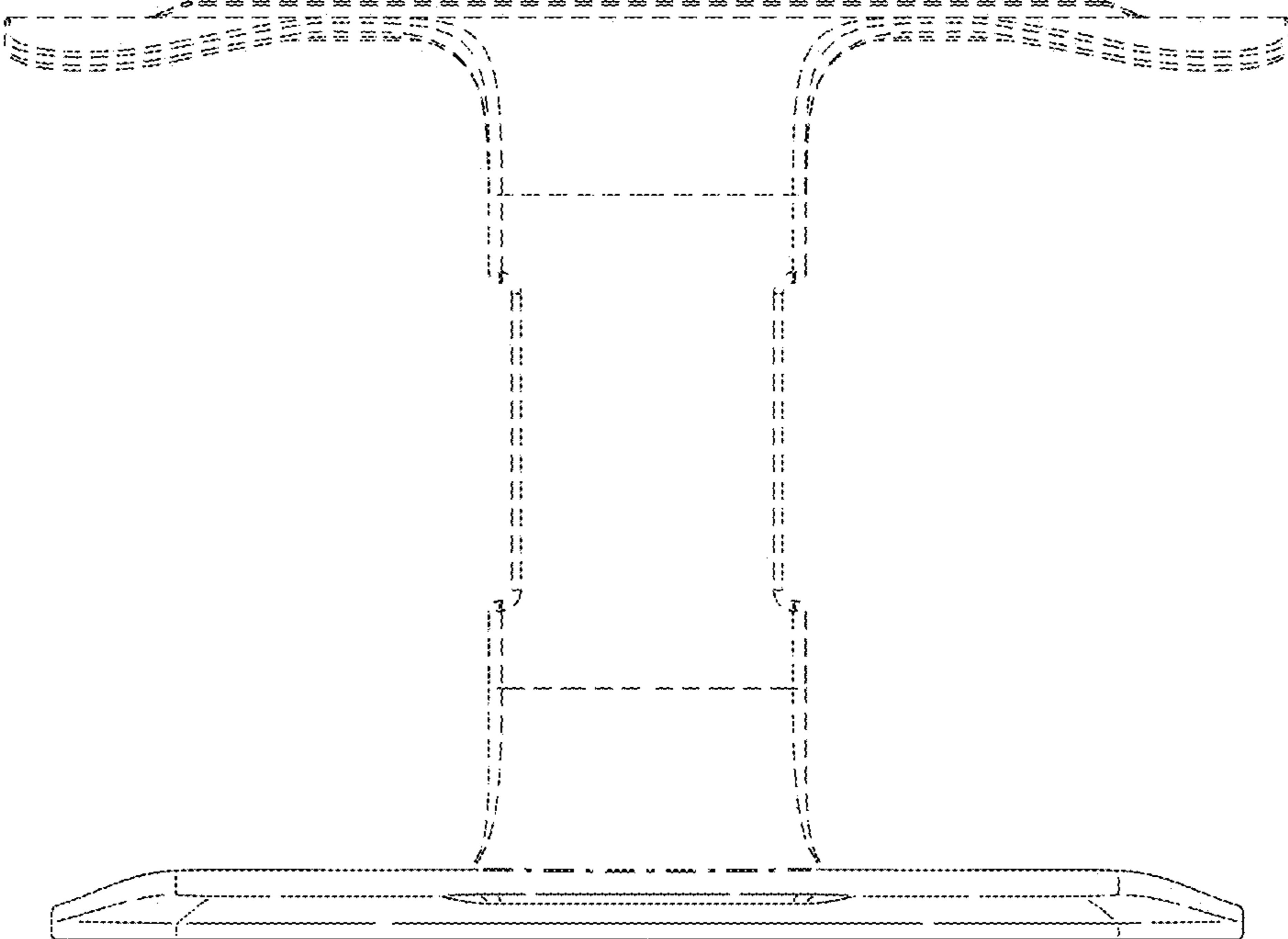


FIG. 3

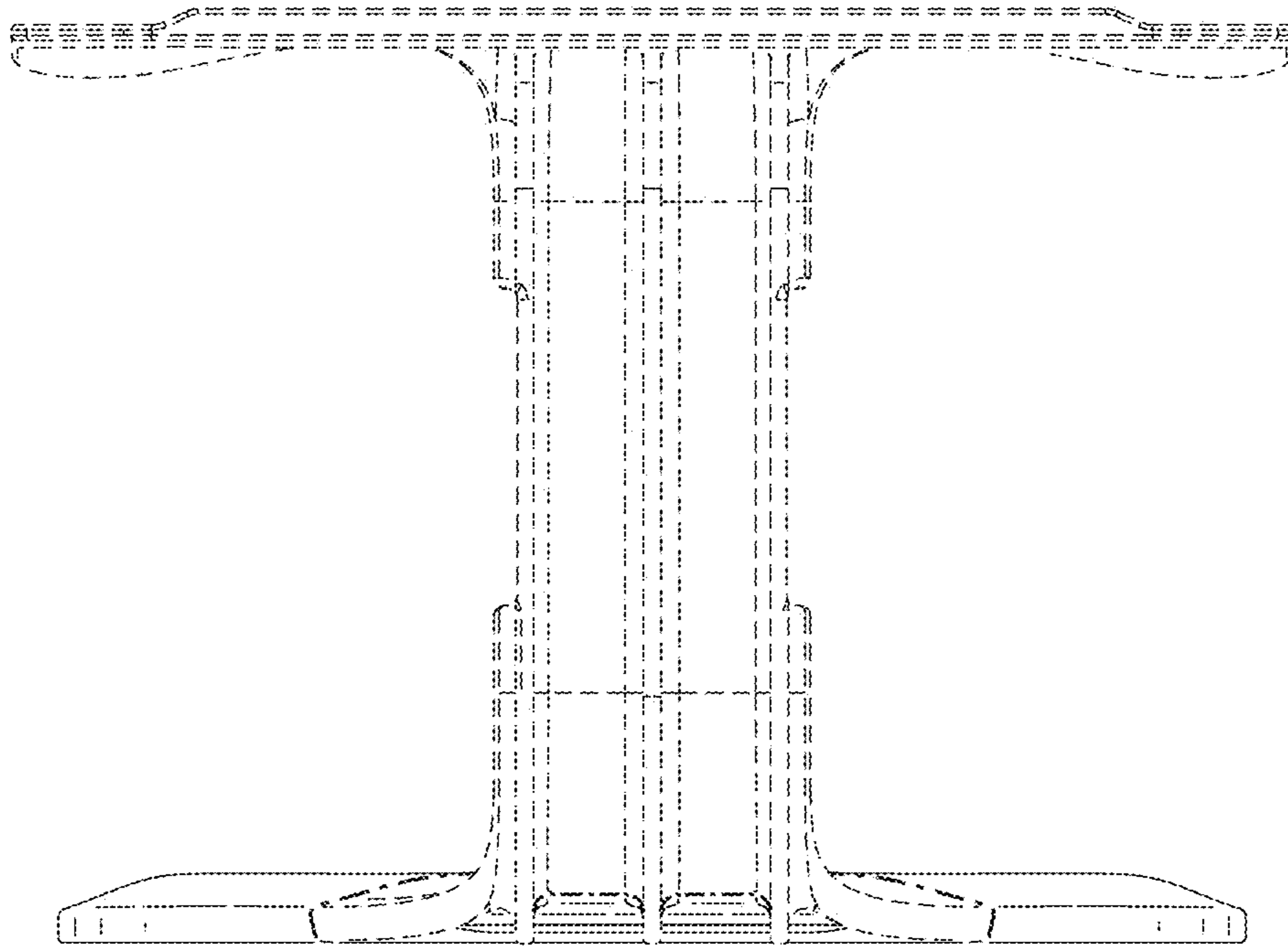


FIG. 4

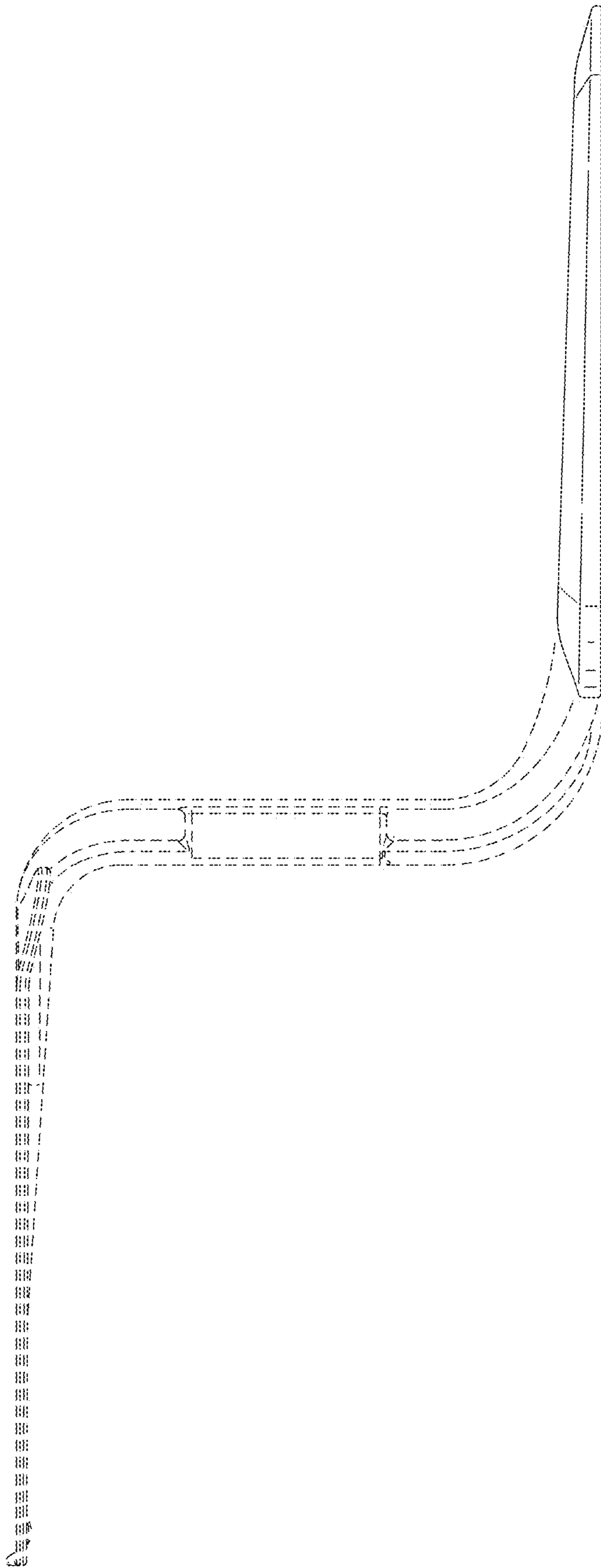


FIG. 5

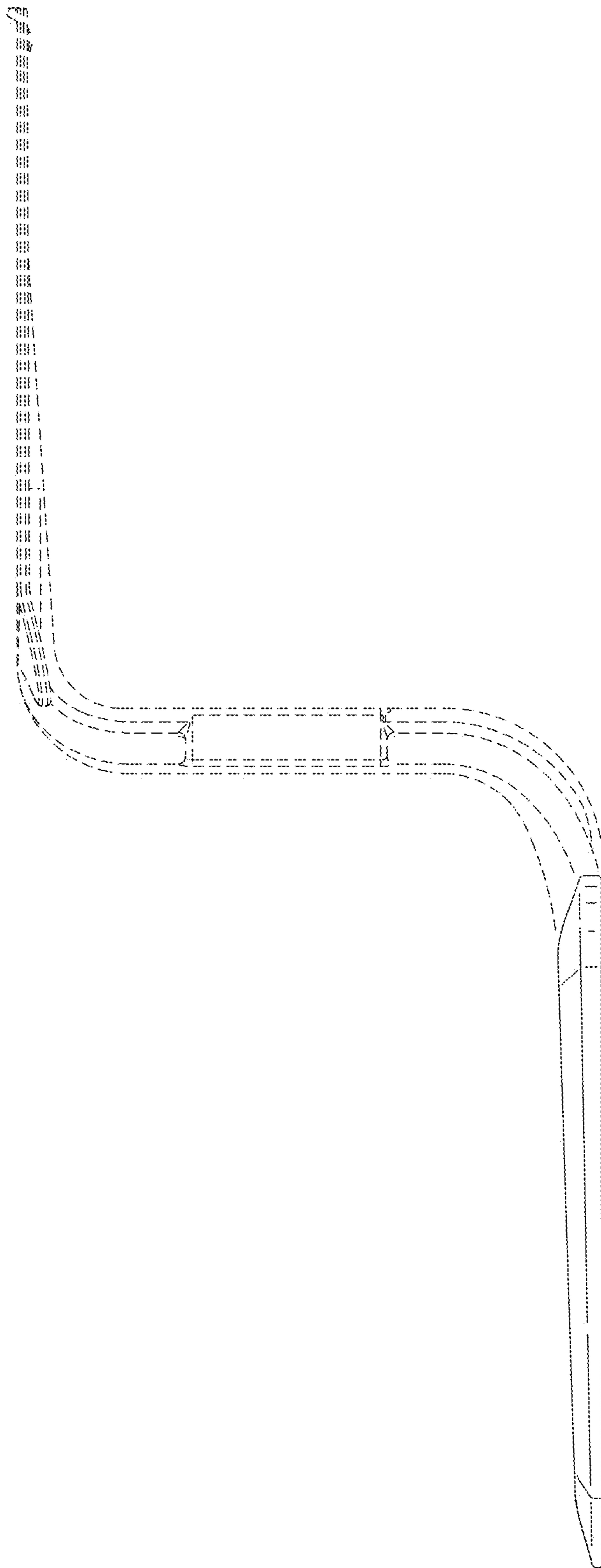


FIG. 6

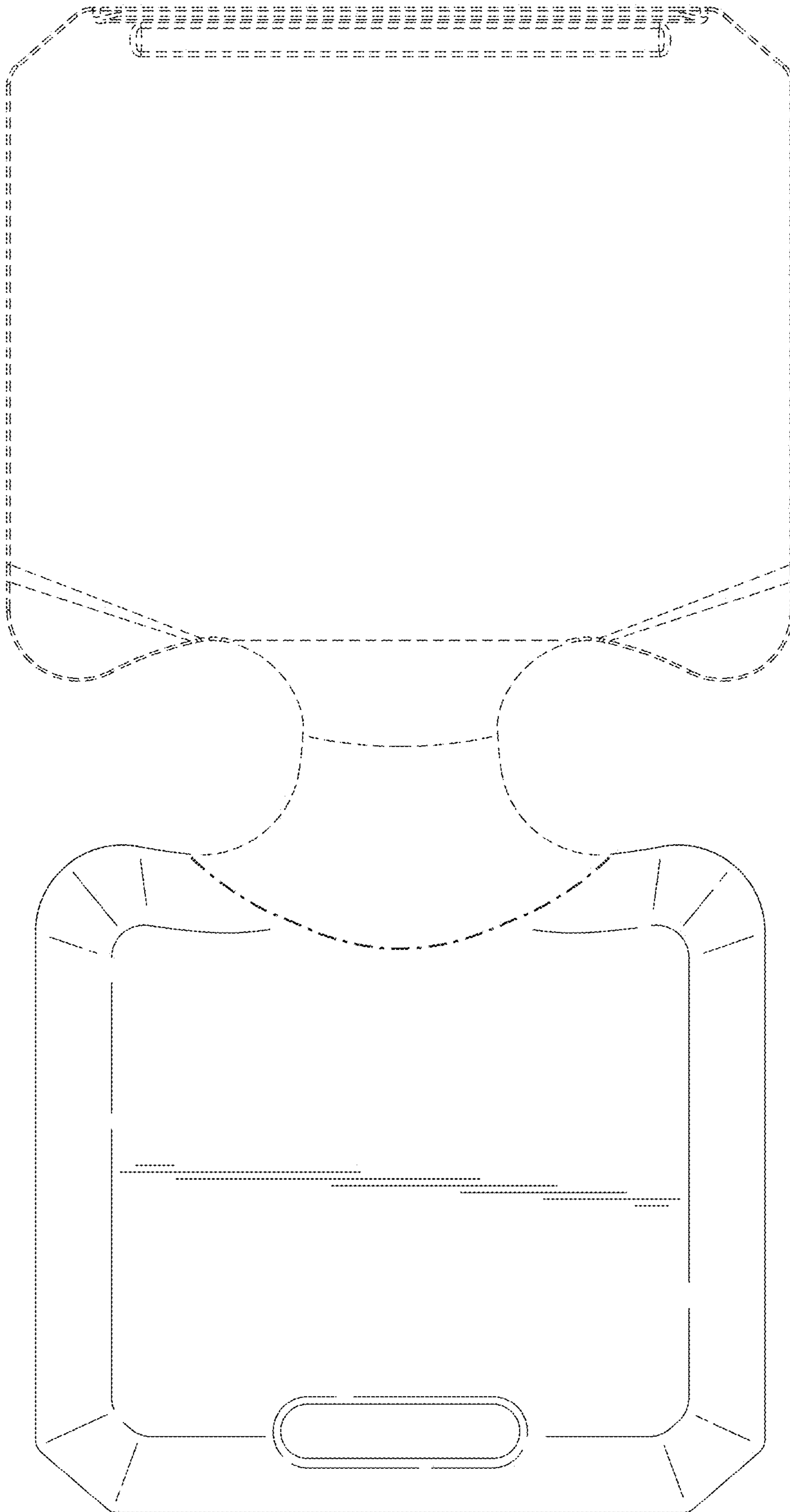


FIG. 7

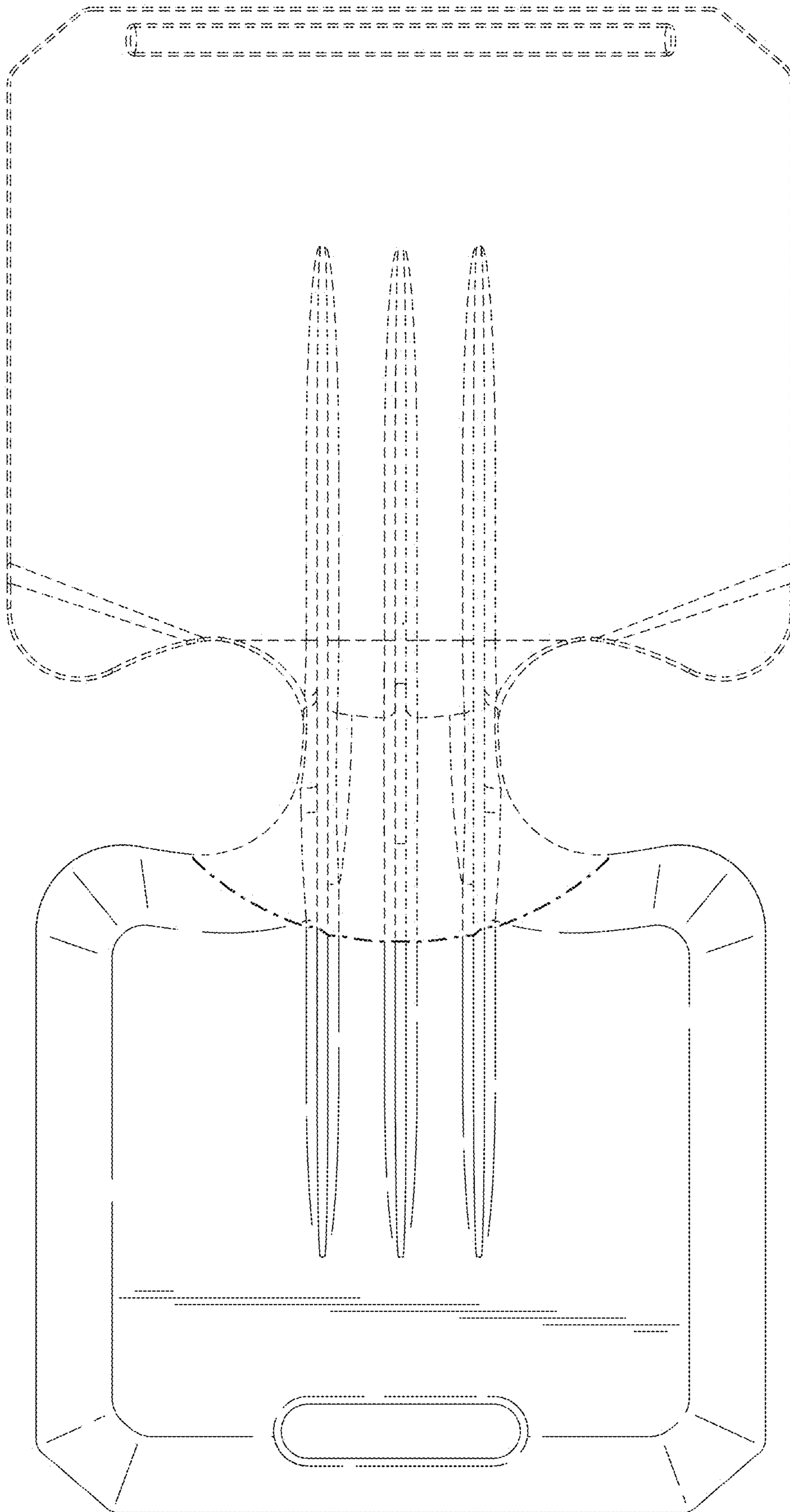


FIG. 8

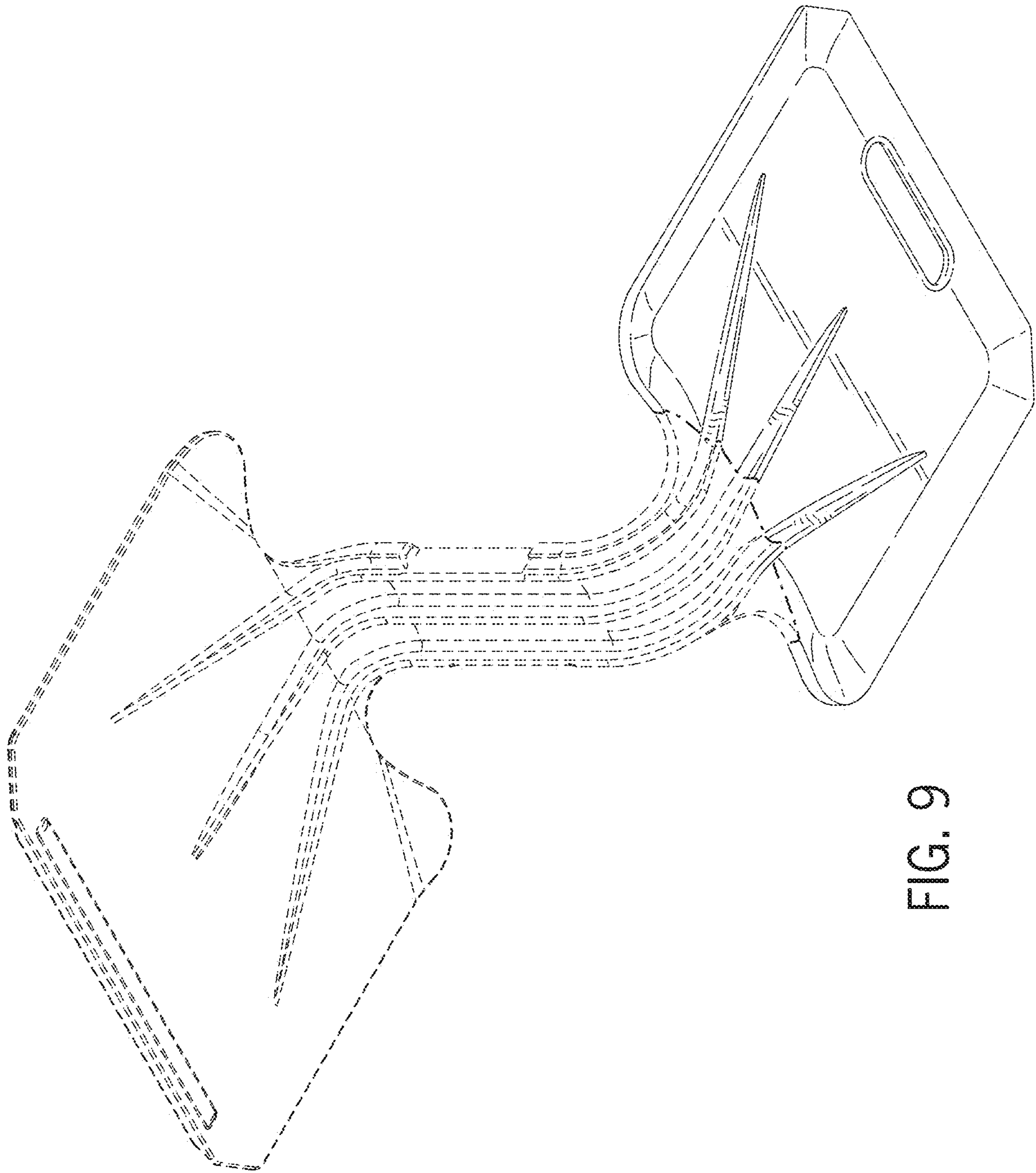


FIG. 9

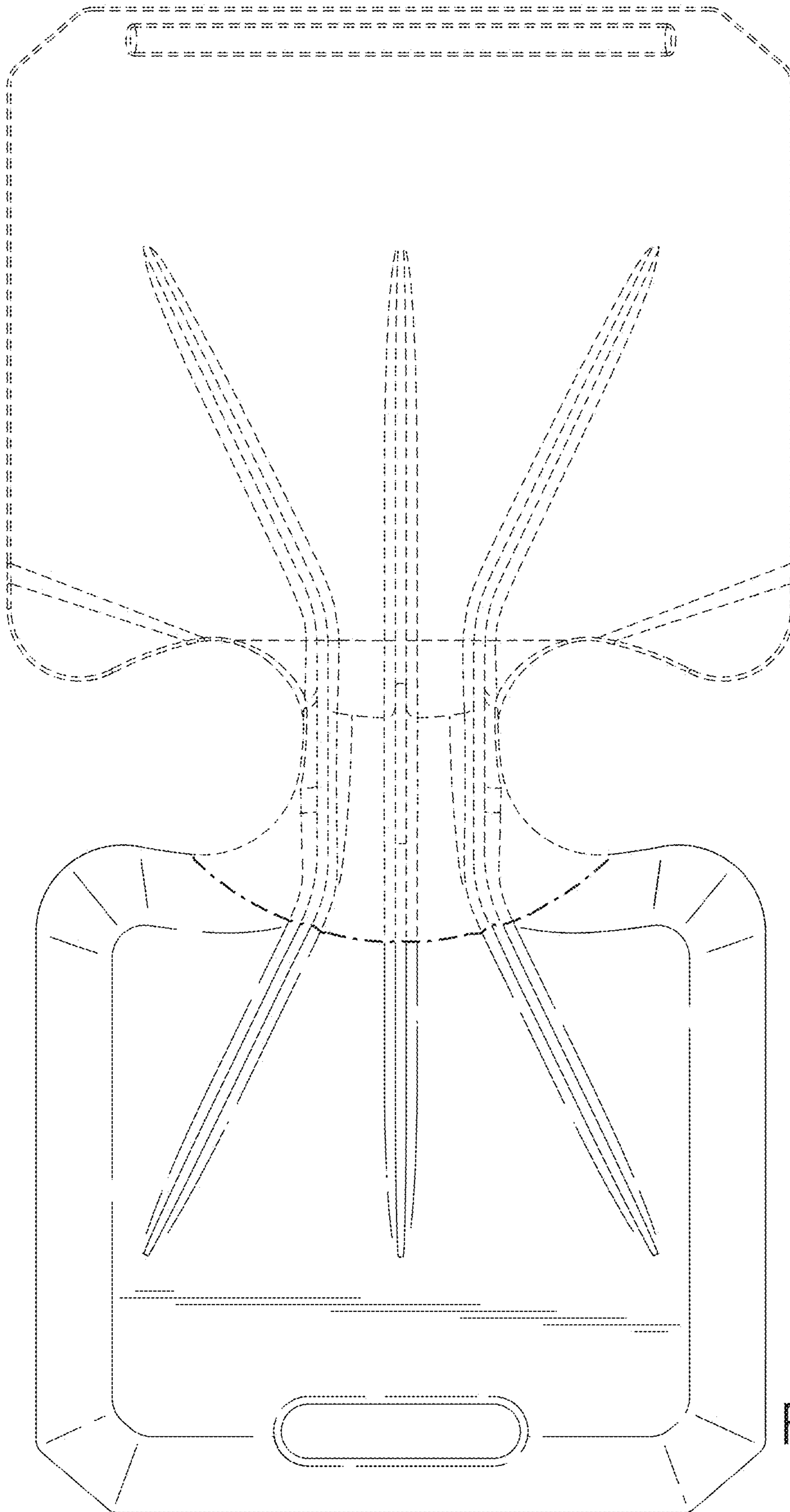


FIG. 10