



US00D927864S

(12) **United States Design Patent** (10) **Patent No.:** **US D927,864 S**
Yang (45) **Date of Patent:** **** Aug. 17, 2021**

- (54) **MAKEUP MIRROR**
- (71) Applicant: **DONGGUAN POWERME PLASTIC MFG. CO., LTD.**, Dongguan (CN)
- (72) Inventor: **Guowei Yang**, Dongguan (CN)
- (73) Assignee: **DONGGUAN POWERME PLASTIC MFG. CO., LTD.**, Dongguan (CN)
- (**) Term: **15 Years**
- (21) Appl. No.: **29/774,609**
- (22) Filed: **Mar. 18, 2021**
- (51) **LOC (13) Cl.** **06-07**
- (52) **U.S. Cl.**
USPC **D6/309; D6/310**
- (58) **Field of Classification Search**
USPC D6/300–314
CPC ... A47G 1/00; A47G 1/02; A47G 1/06; A47G 1/0616; A47G 1/14; A47G 1/141; A45D 42/00; A45D 42/08; A45D 42/14; A45D 42/16; A45D 42/10
See application file for complete search history.

D905,447 S * 12/2020 Yang D6/310
 2013/0027913 A1 1/2013 Frisch et al.
 2014/0240964 A1 8/2014 Adachi et al.

FOREIGN PATENT DOCUMENTS

EM 001481170-0001 * 4/2021

* cited by examiner

Primary Examiner — Deanna L Pratt

(57) **CLAIM**

The ornamental design for a makeup mirror, as shown and described.

DESCRIPTION

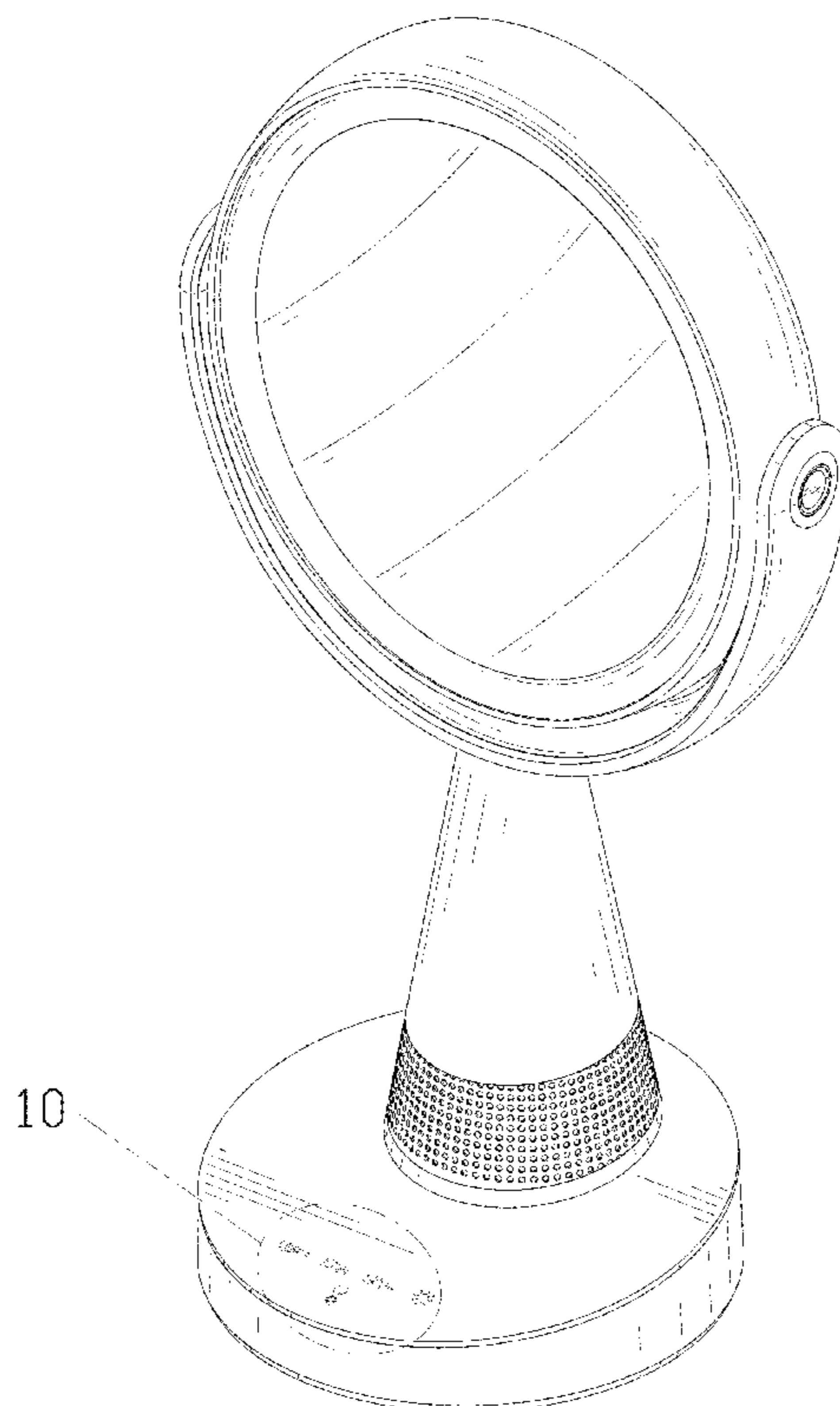
FIG. 1 is a perspective view of a makeup mirror showing my new design;
 FIG. 2 is another perspective view thereof;
 FIG. 3 is a front elevational view thereof;
 FIG. 4 is a rear elevational view thereof;
 FIG. 5 is a left side elevational view thereof;
 FIG. 6 is a right side elevational view thereof;
 FIG. 7 is a top plan view thereof;
 FIG. 8 is a bottom plan view thereof;
 FIG. 9 is a perspective view of the makeup mirror where the makeup mirror is in a configuration of use;
 FIG. 10 is an enlarged view of portion 10 shown in FIG. 1; and,
 FIG. 11 is an enlarged view of portion 11 shown in FIG. 2.
 The broken lines in the drawings depict portions of the makeup mirror that form no part of the claimed design.

(56) **References Cited**

U.S. PATENT DOCUMENTS

- D738,118 S * 9/2015 Gyanendra D6/310
- D840,699 S * 2/2019 Xie D6/309
- D871,084 S * 12/2019 Pestl D6/309
- D874,161 S * 2/2020 Yang D6/309
- D874,162 S * 2/2020 Greenwalt D6/310

1 Claim, 11 Drawing Sheets



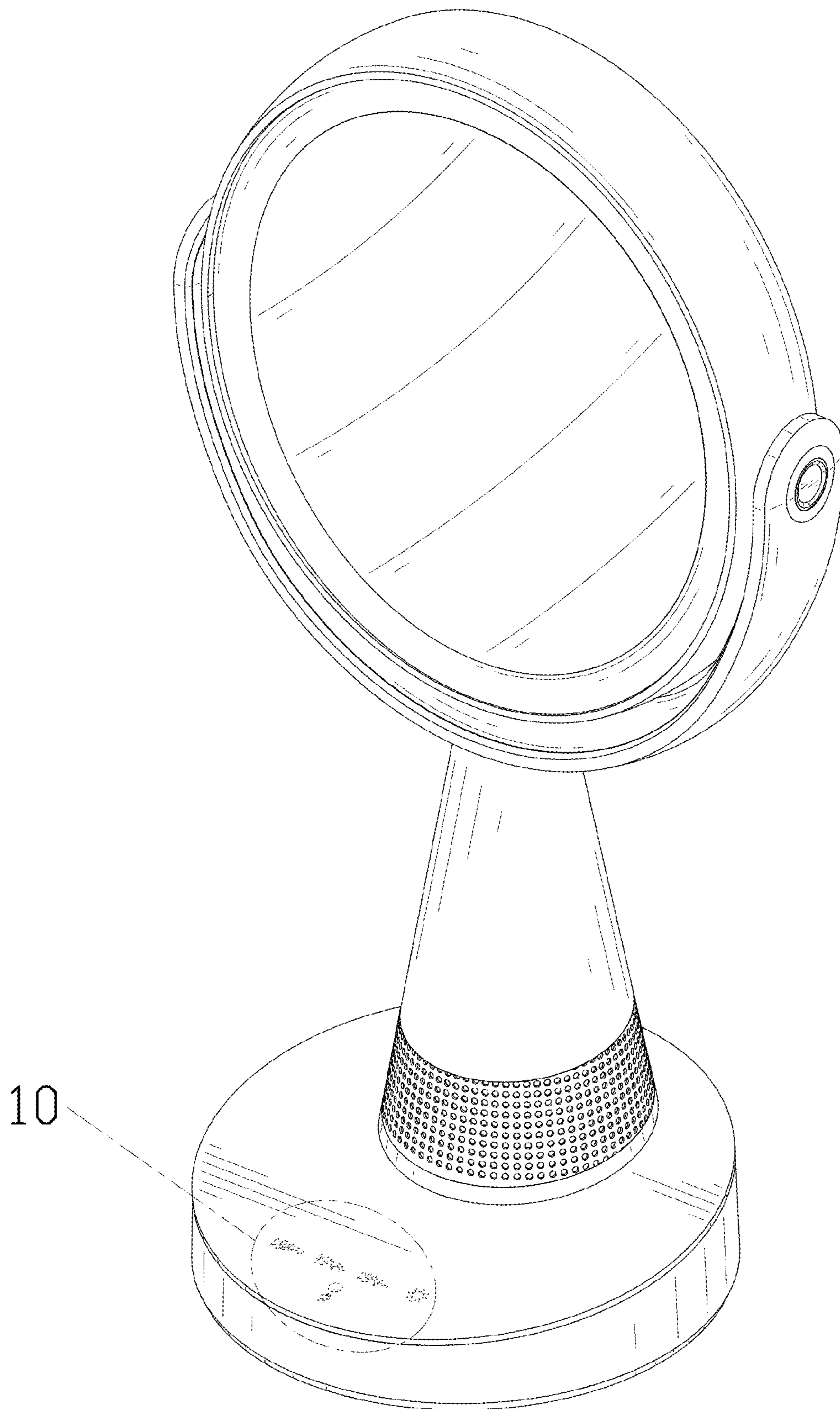


FIG. 1

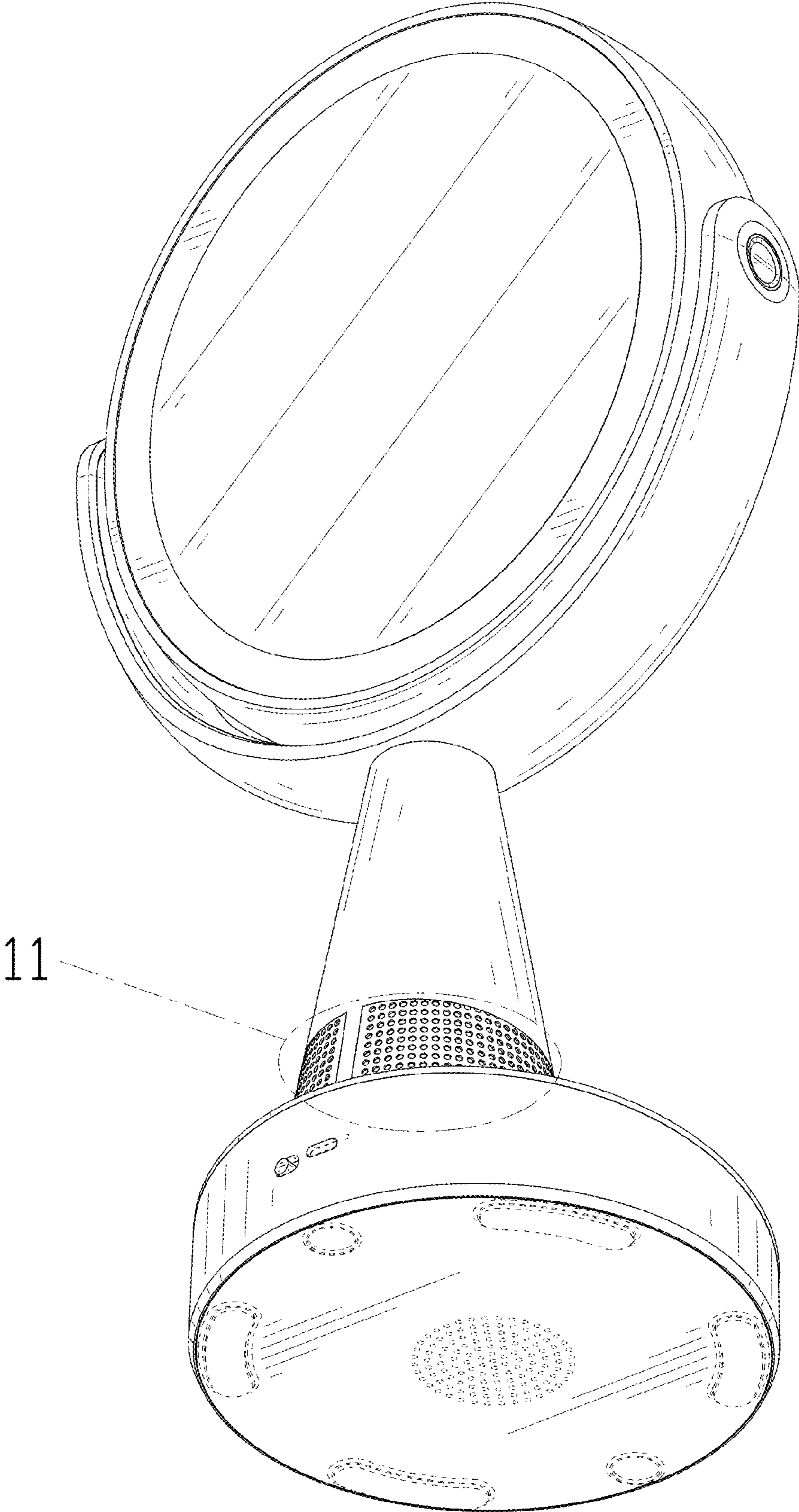


FIG. 2

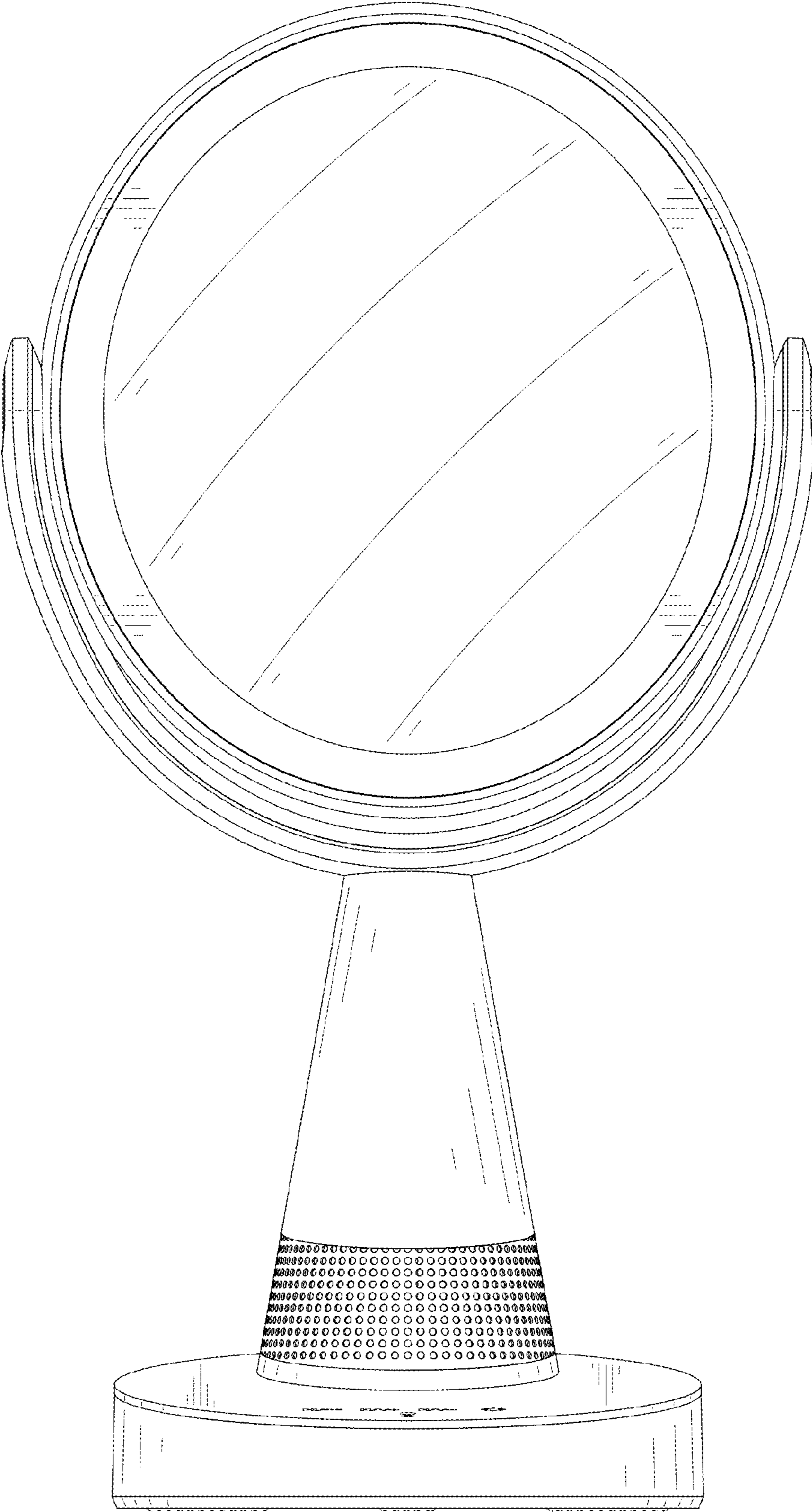


FIG. 3

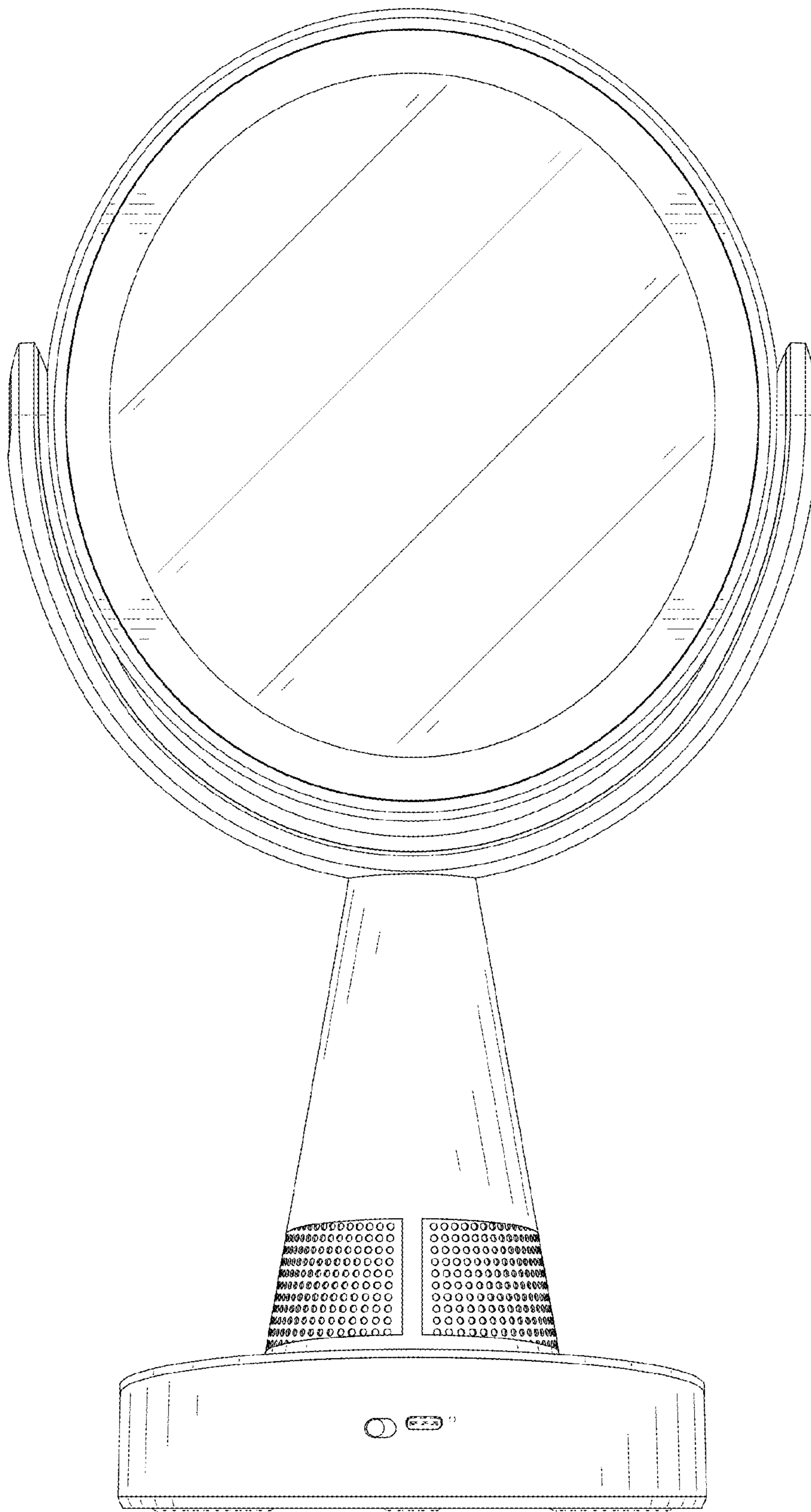


FIG. 4

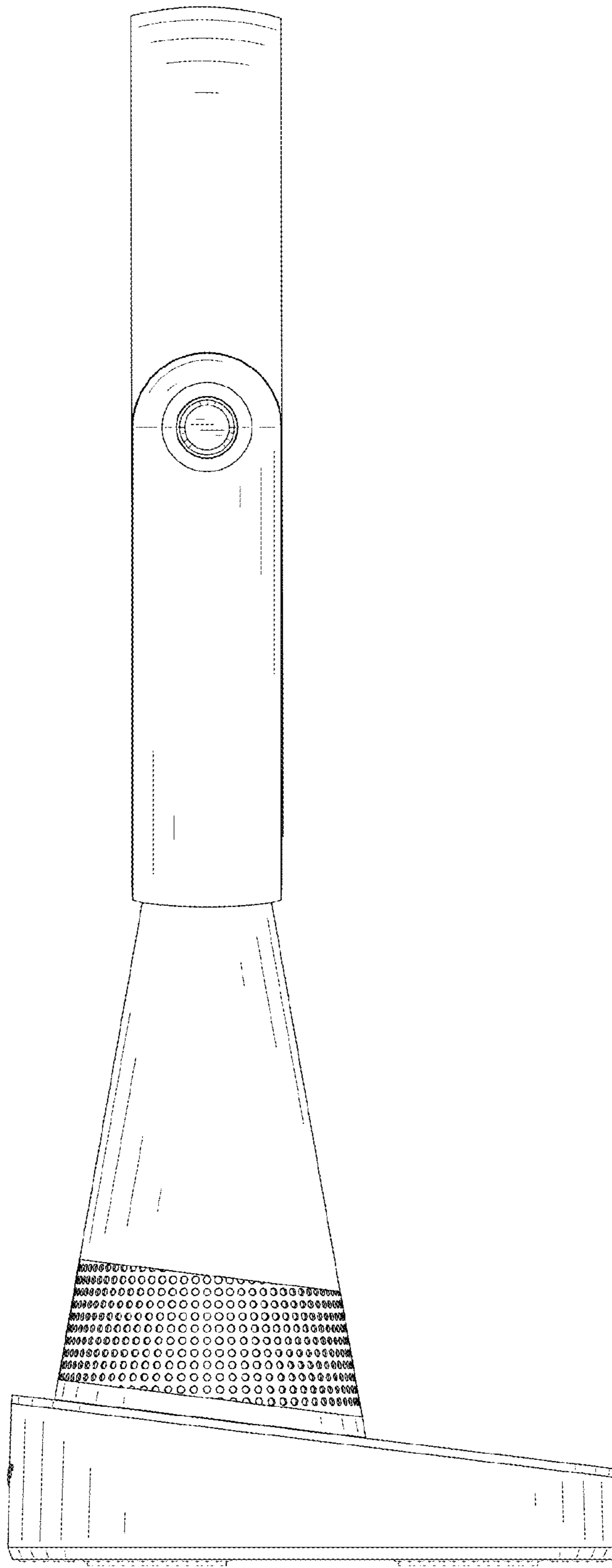


FIG. 5

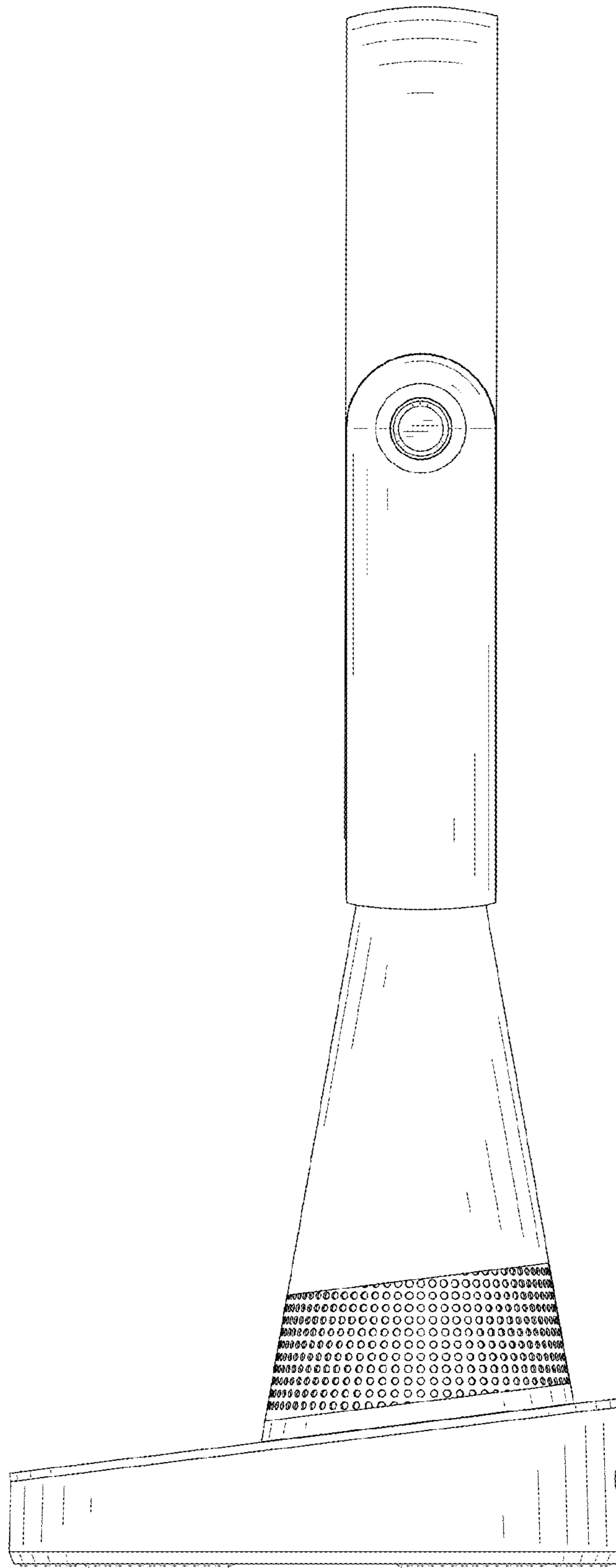


FIG. 6

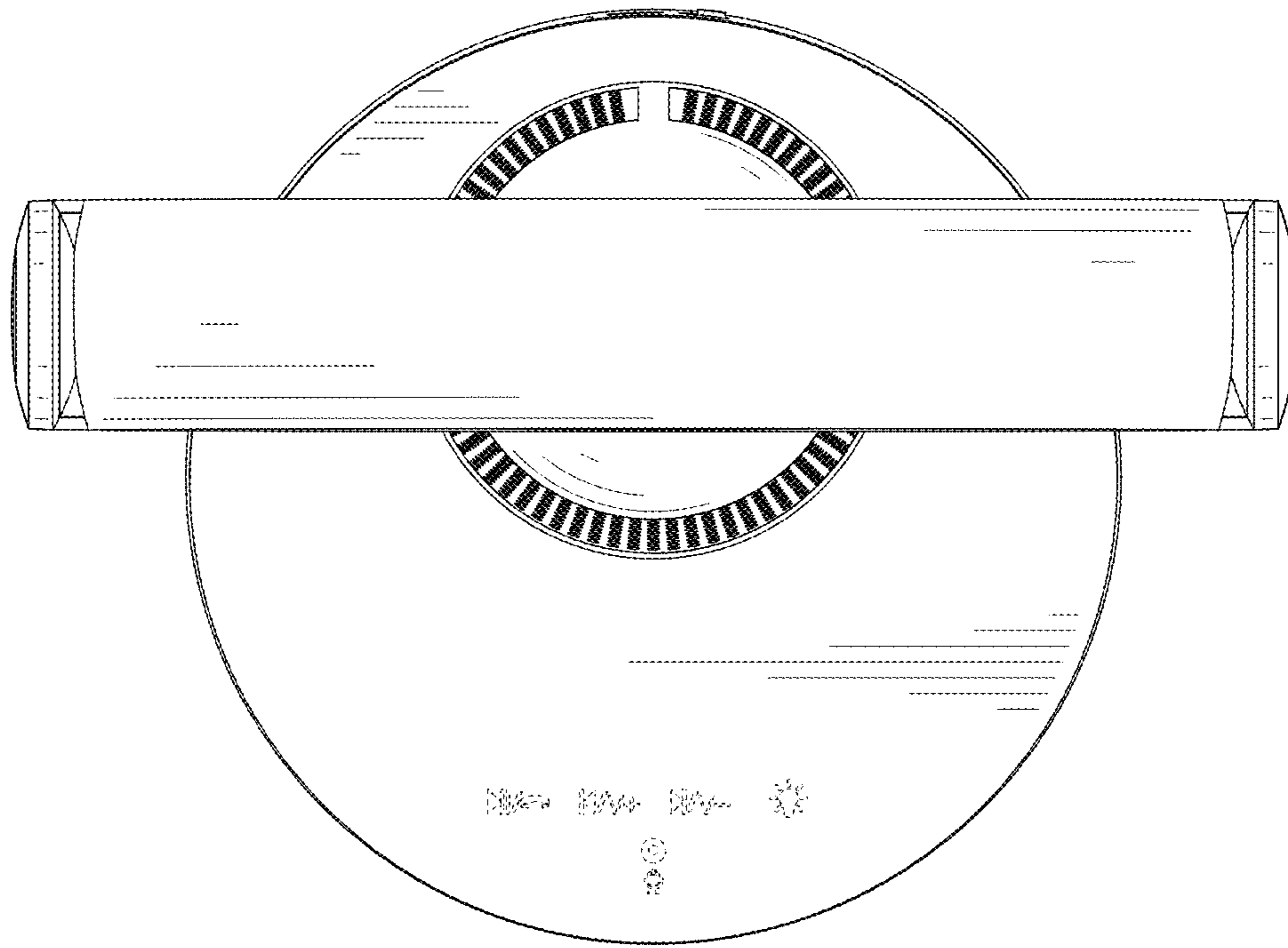


FIG. 7

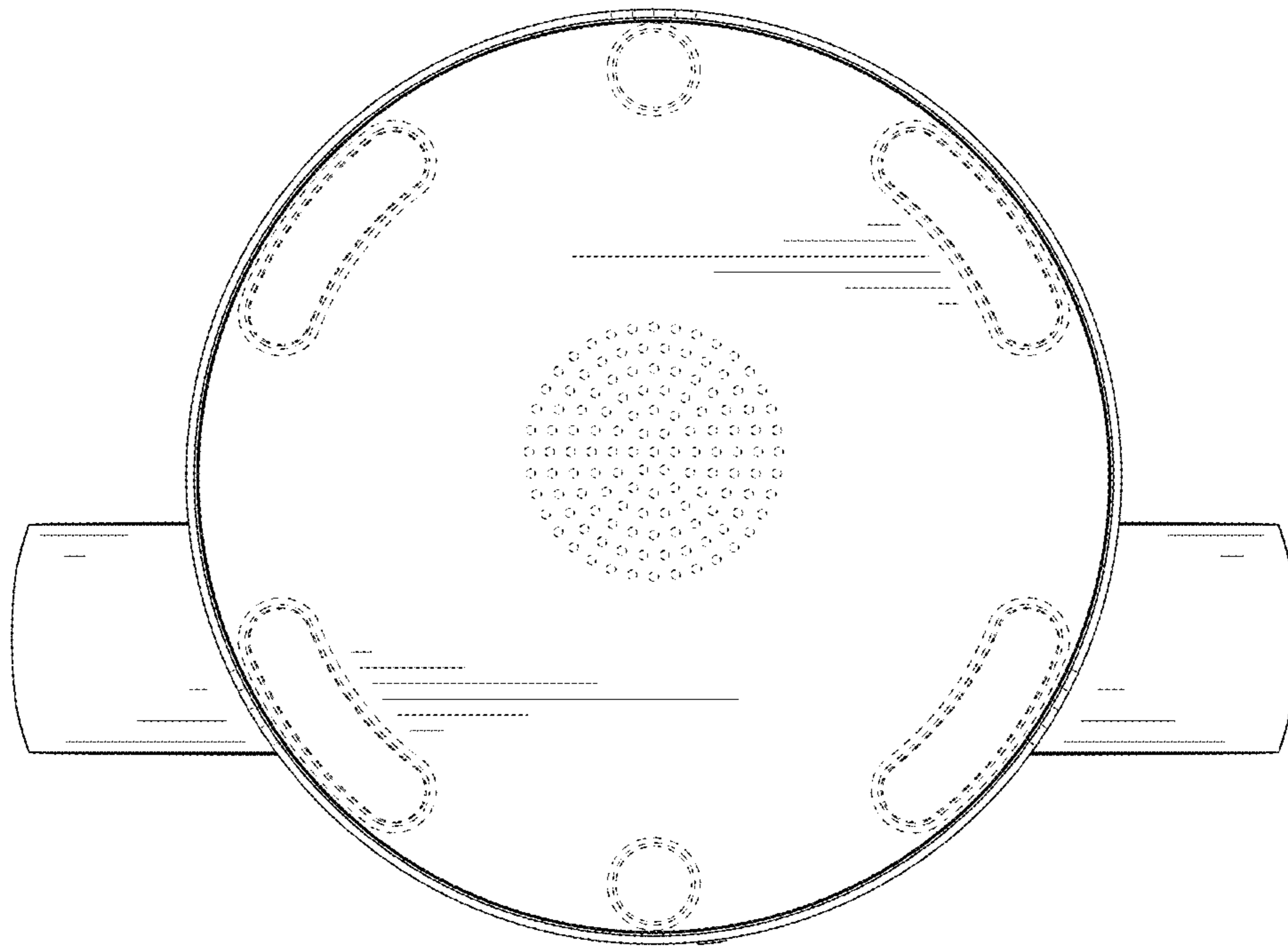


FIG. 8

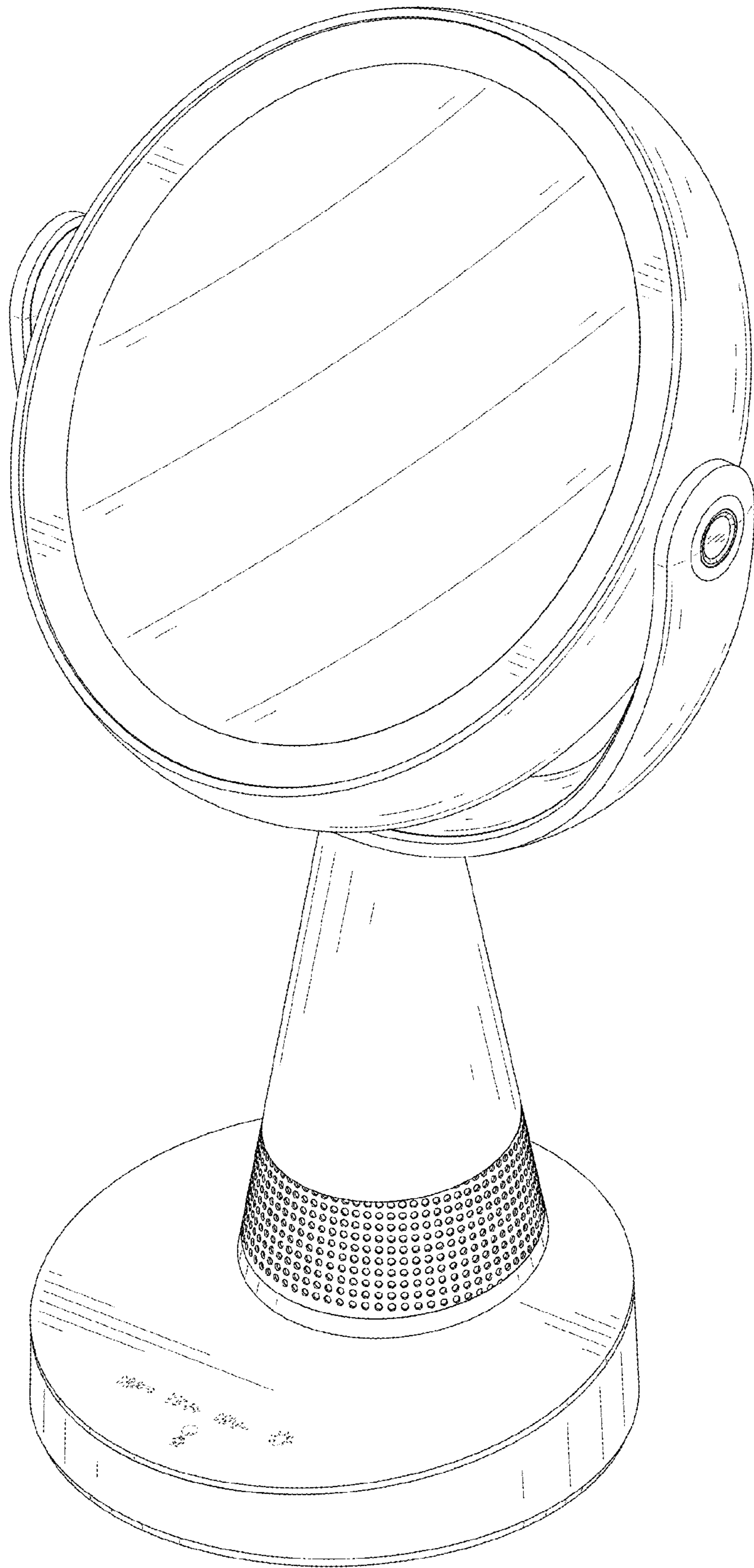


FIG. 9



FIG. 10

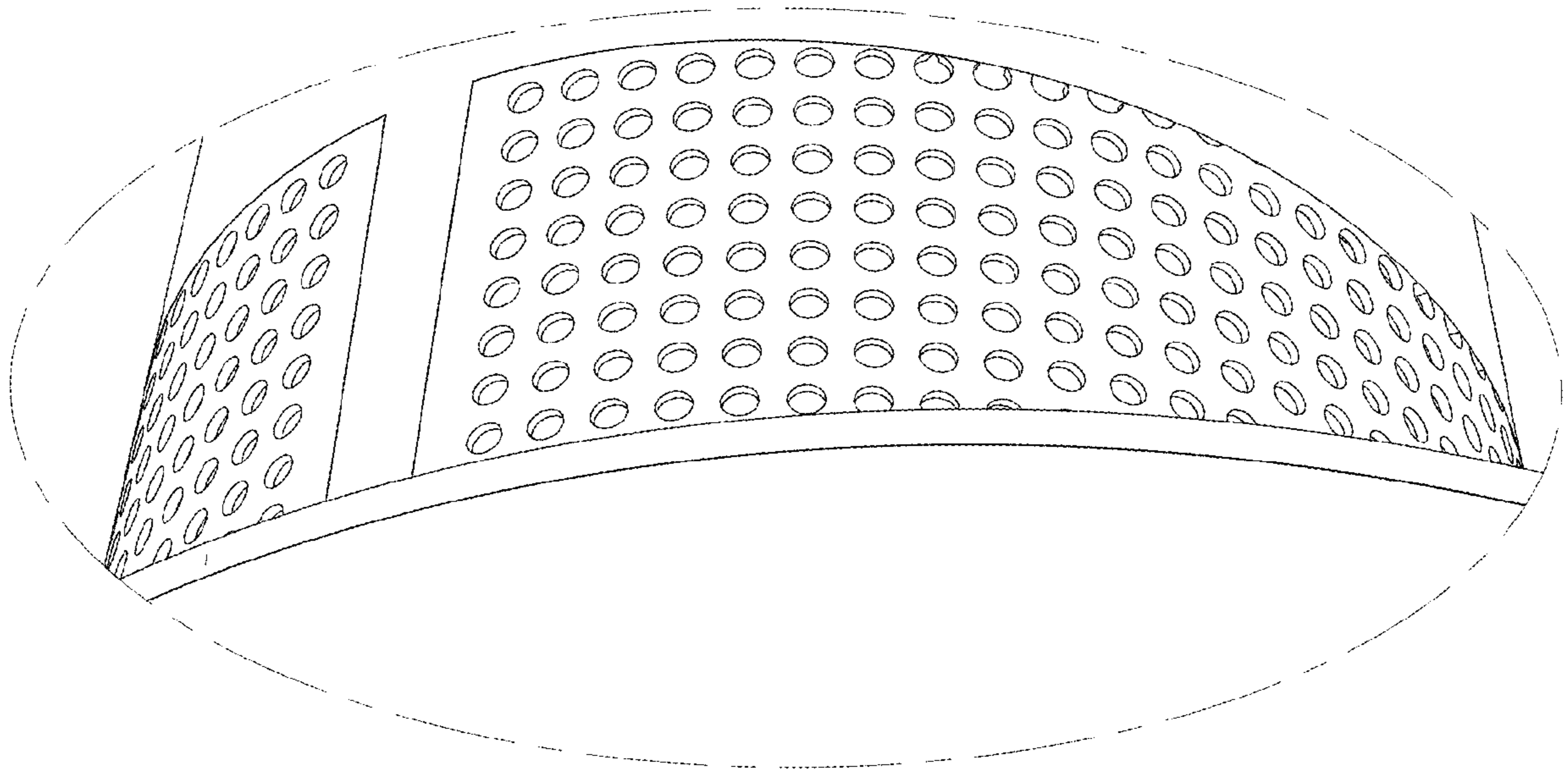


FIG. 11