



US00D927862S

(12) **United States Design Patent**  
**Yang**

(10) **Patent No.:** **US D927,862 S**

(45) **Date of Patent:** **\*\* Aug. 17, 2021**

(54) **MAKEUP MIRROR**

D907,375 S \* 1/2021 Liang ..... D6/312  
2013/0027913 A1 1/2013 Frisch et al.  
2014/0240964 A1 8/2014 Adachi et al.

(71) Applicant: **DONGGUAN POWERME PLASTIC MFG. CO., LTD.**, Dongguan (CN)

**FOREIGN PATENT DOCUMENTS**

(72) Inventor: **Guowei Yang**, Dongguan (CN)

EM 008459184-0003 \* 4/2021

(73) Assignee: **DONGGUAN POWERME PLASTIC MFG. CO., LTD.**, Dongguan (CN)

\* cited by examiner

*Primary Examiner* — Deanna L Pratt

(\*\*) Term: **15 Years**

(21) Appl. No.: **29/774,611**

(57) **CLAIM**

(22) Filed: **Mar. 18, 2021**

The ornamental design for a makeup mirror, as shown and described.

(51) **LOC (13) Cl.** ..... **06-07**

(52) **U.S. Cl.**  
USPC ..... **D6/302; D6/310**

**DESCRIPTION**

(58) **Field of Classification Search**  
USPC ..... D6/300–314  
CPC .. A47G 1/00; A47G 2001/002; F21V 33/004;  
A45D 42/10

See application file for complete search history.

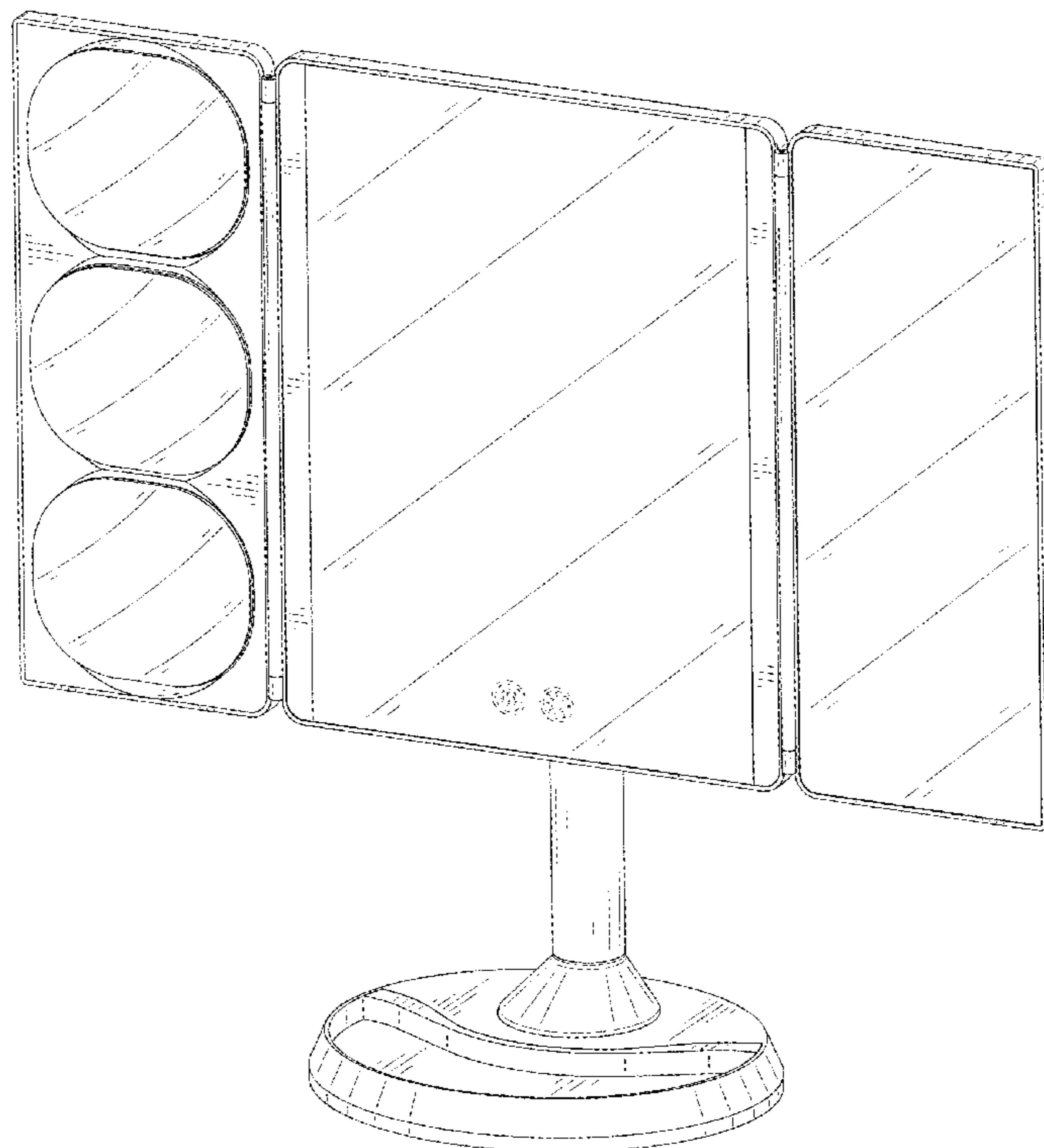
FIG. 1 is a perspective view of a makeup mirror showing my new design;  
FIG. 2 is another perspective view thereof;  
FIG. 3 is a front elevational view thereof;  
FIG. 4 is a rear elevational view thereof;  
FIG. 5 is a left side elevational view thereof;  
FIG. 6 is a right side elevational view thereof;  
FIG. 7 is a top plan view thereof;  
FIG. 8 is a bottom plan view thereof;  
FIG. 9 is a perspective view of the makeup mirror where the makeup mirror is in a first configuration of use; and,  
FIG. 10 is a perspective view of the makeup mirror where the makeup mirror is in a second configuration of use.  
The broken lines in the drawings depict portions of the makeup mirror that form no part of the claimed design.

(56) **References Cited**

**U.S. PATENT DOCUMENTS**

D833,762 S	*	11/2018	Liu	.....	D6/310
D861,356 S	*	10/2019	Zhu	.....	D6/310
D865,374 S	*	11/2019	Yang	.....	D6/310
D874,836 S	*	2/2020	Li	.....	D6/312
D886,469 S	*	6/2020	Liu	.....	D6/310
D895,986 S	*	9/2020	Yang	.....	D6/312
D897,696 S	*	10/2020	Zhou	.....	D6/310
D897,697 S	*	10/2020	Liu	.....	D6/310
D905,440 S	*	12/2020	Yang	.....	D6/310

**1 Claim, 10 Drawing Sheets**



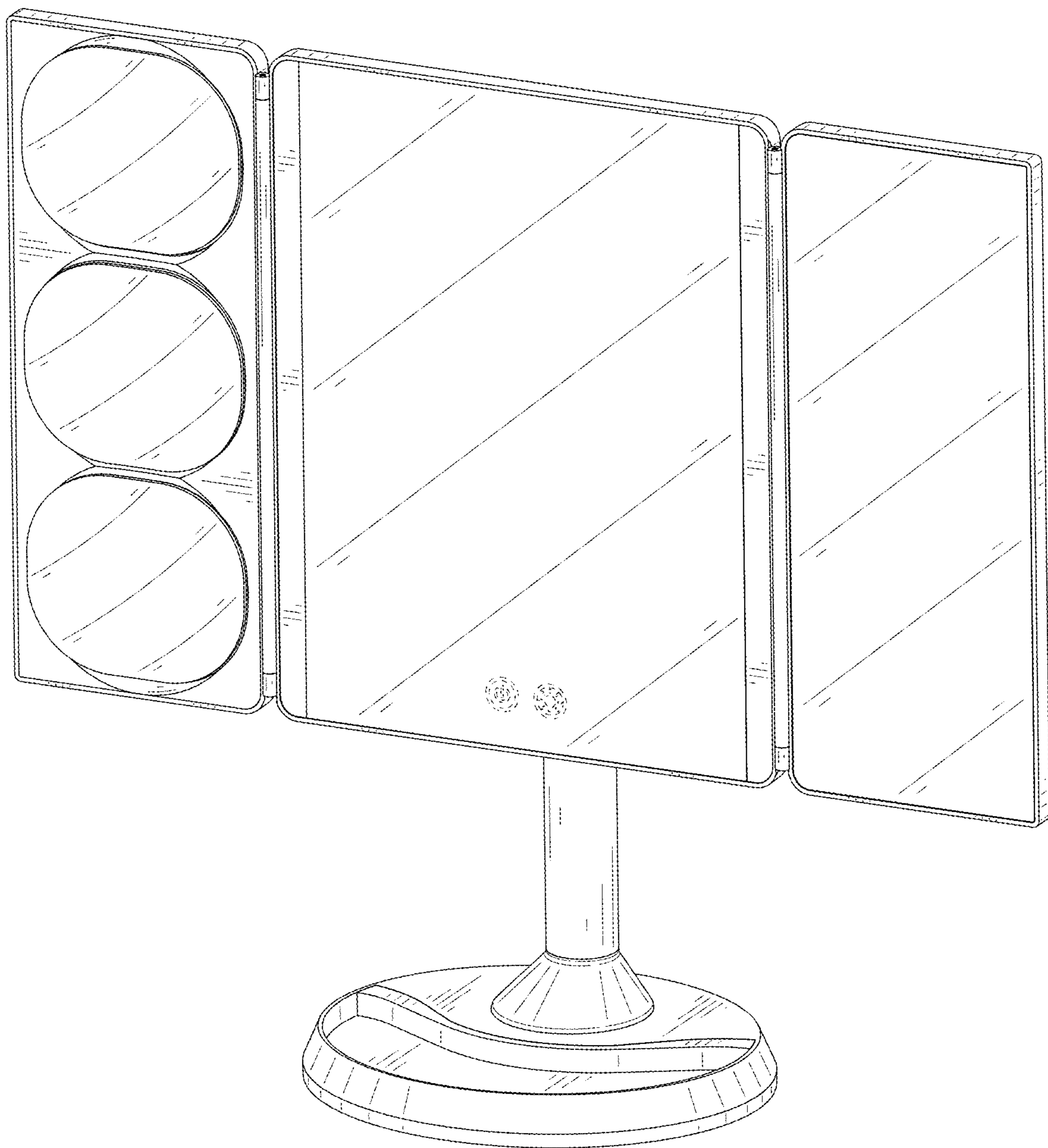


FIG. 1

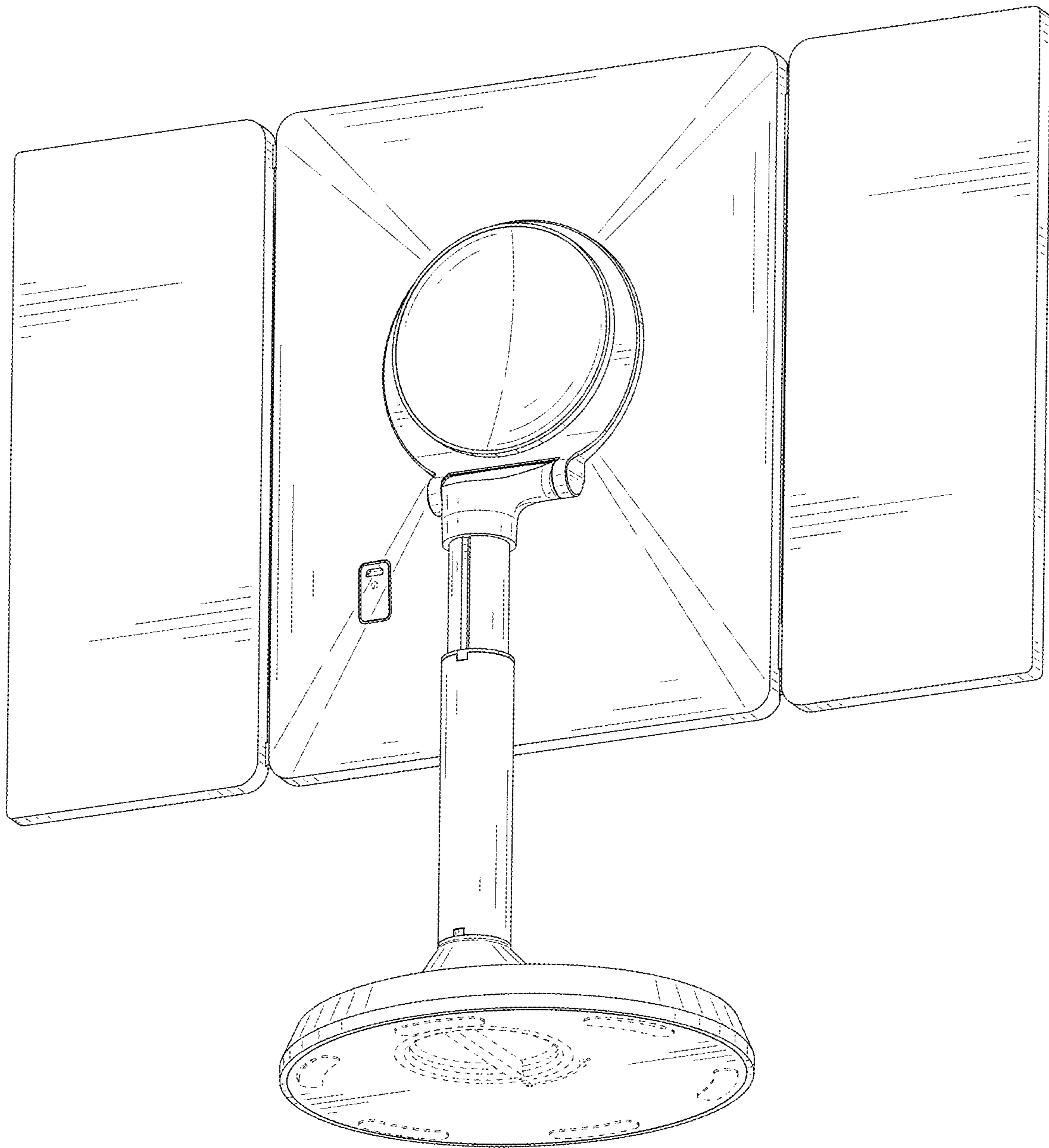


FIG. 2

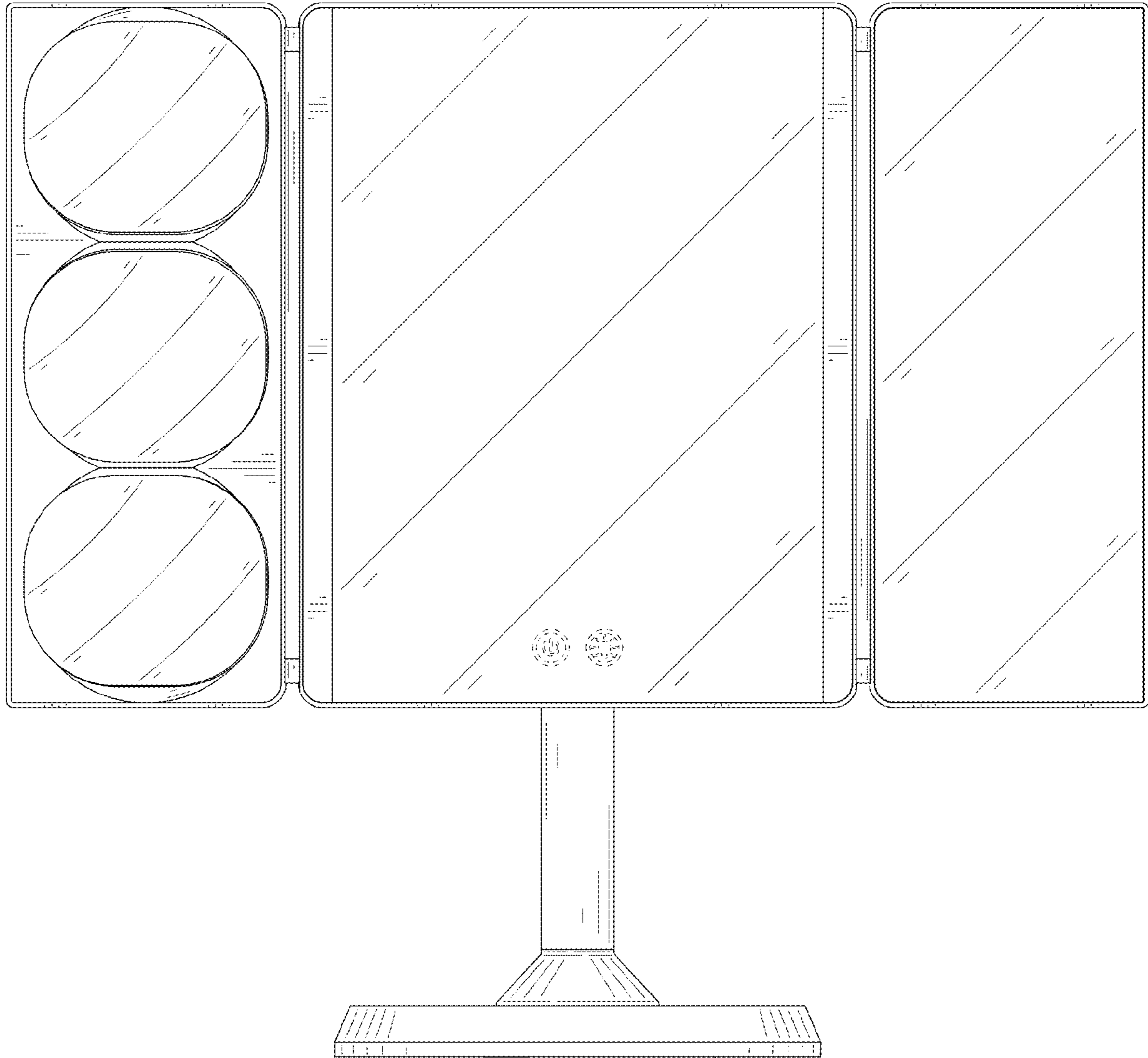


FIG. 3

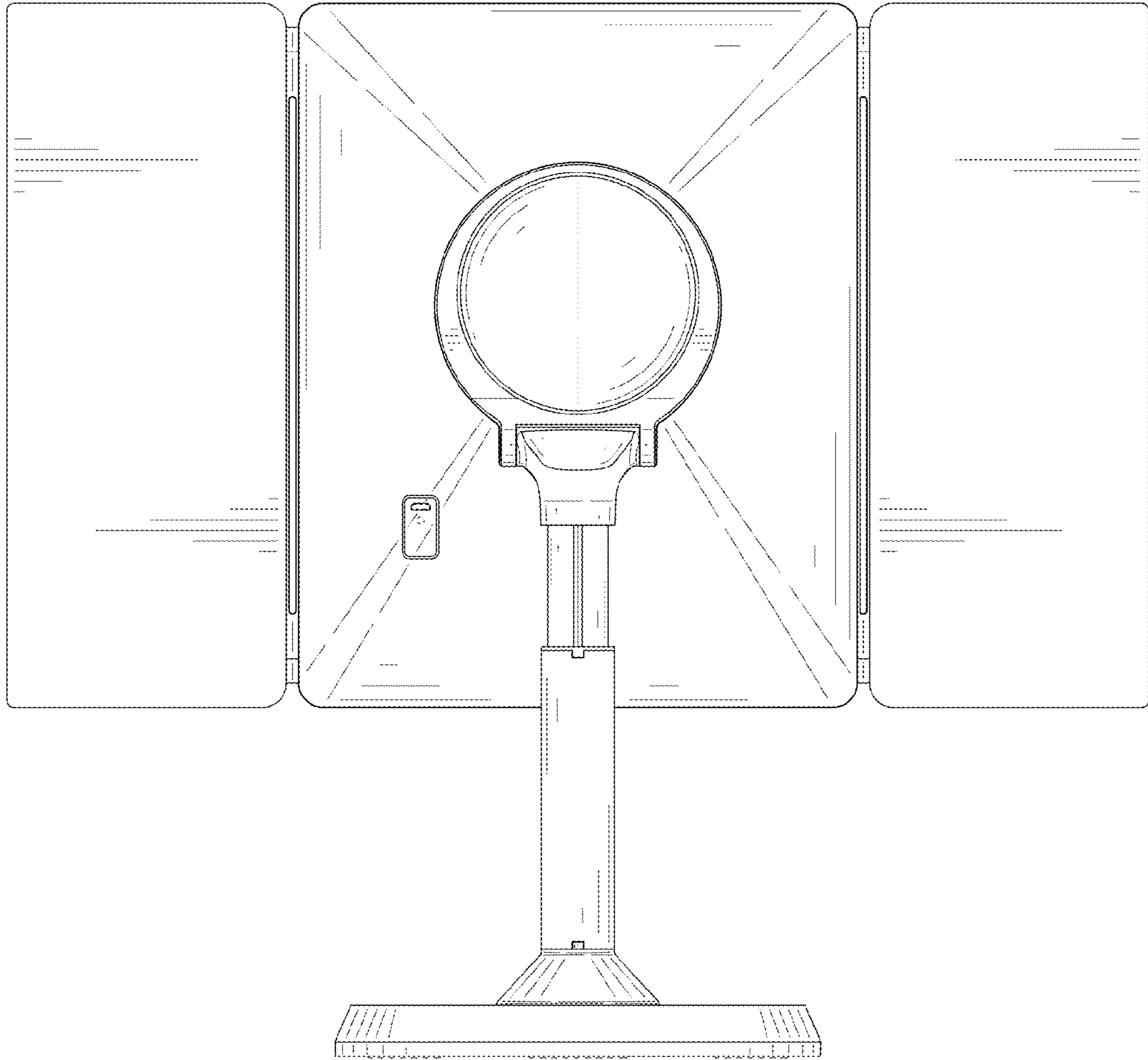


FIG. 4

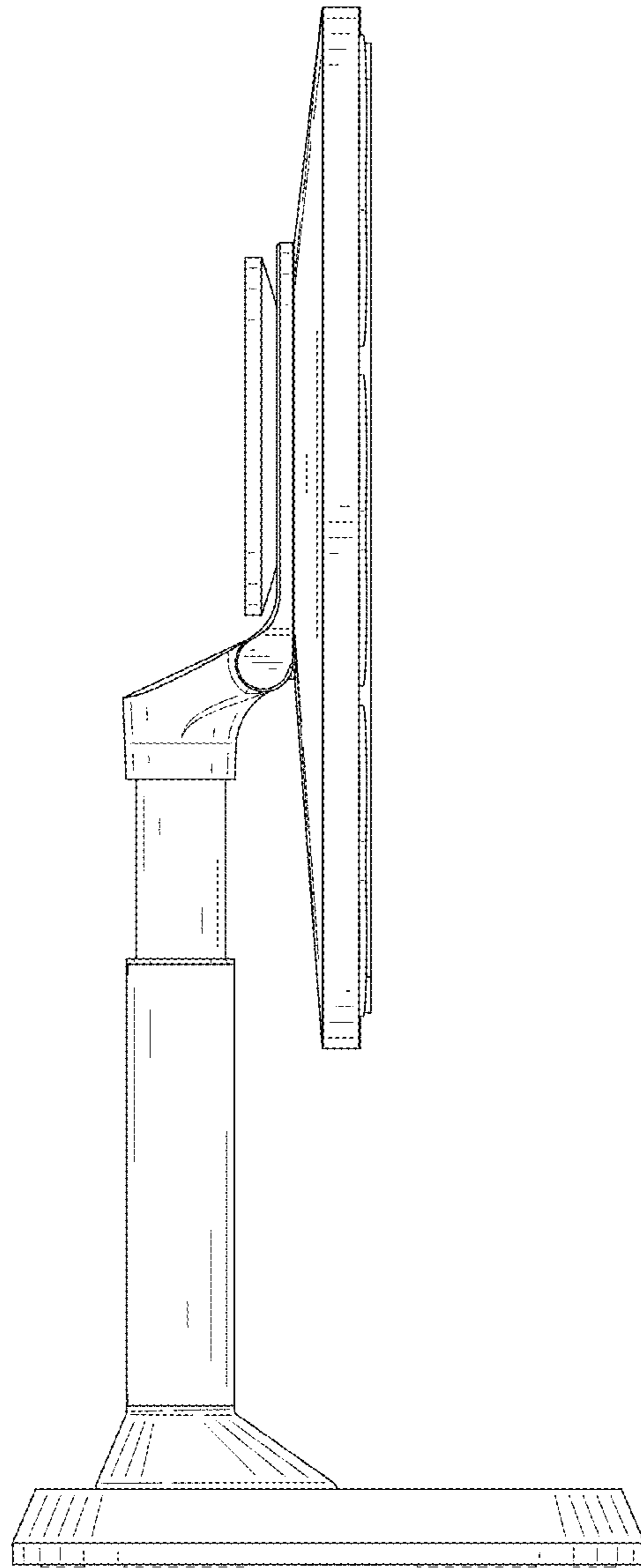


FIG. 5

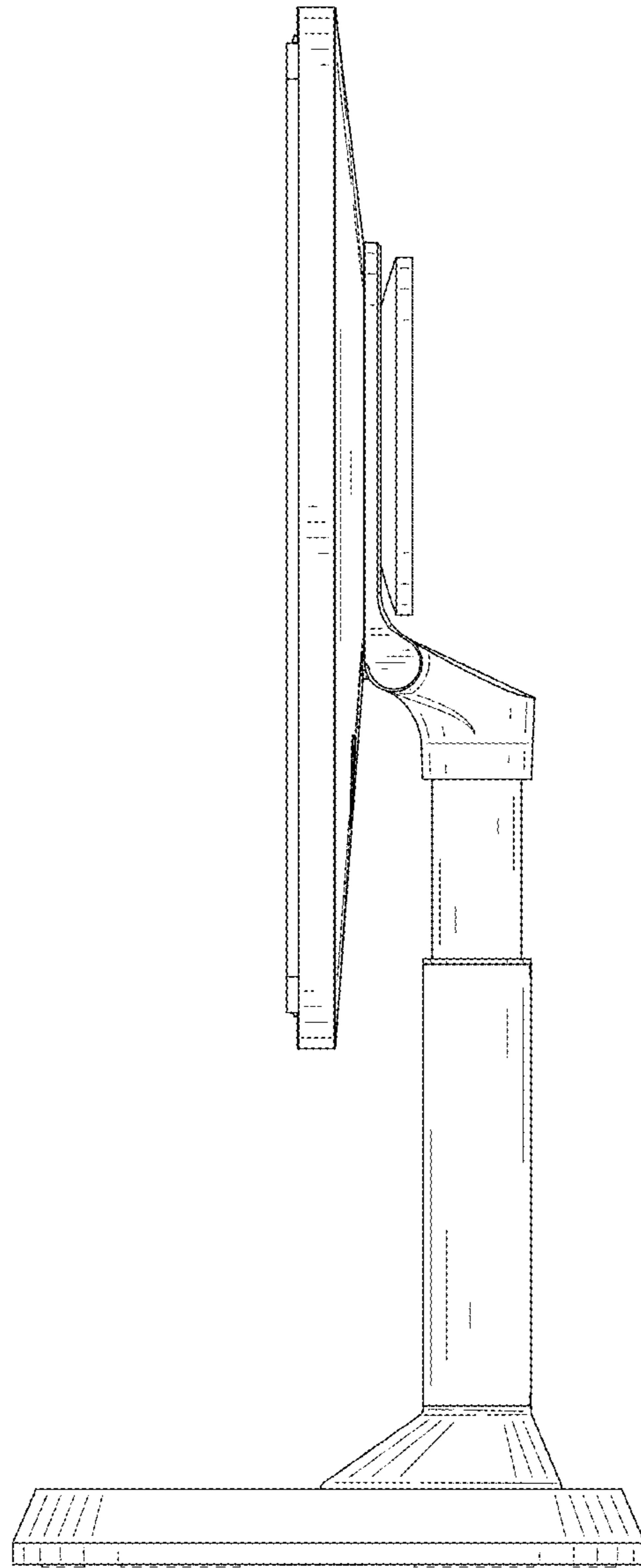


FIG. 6

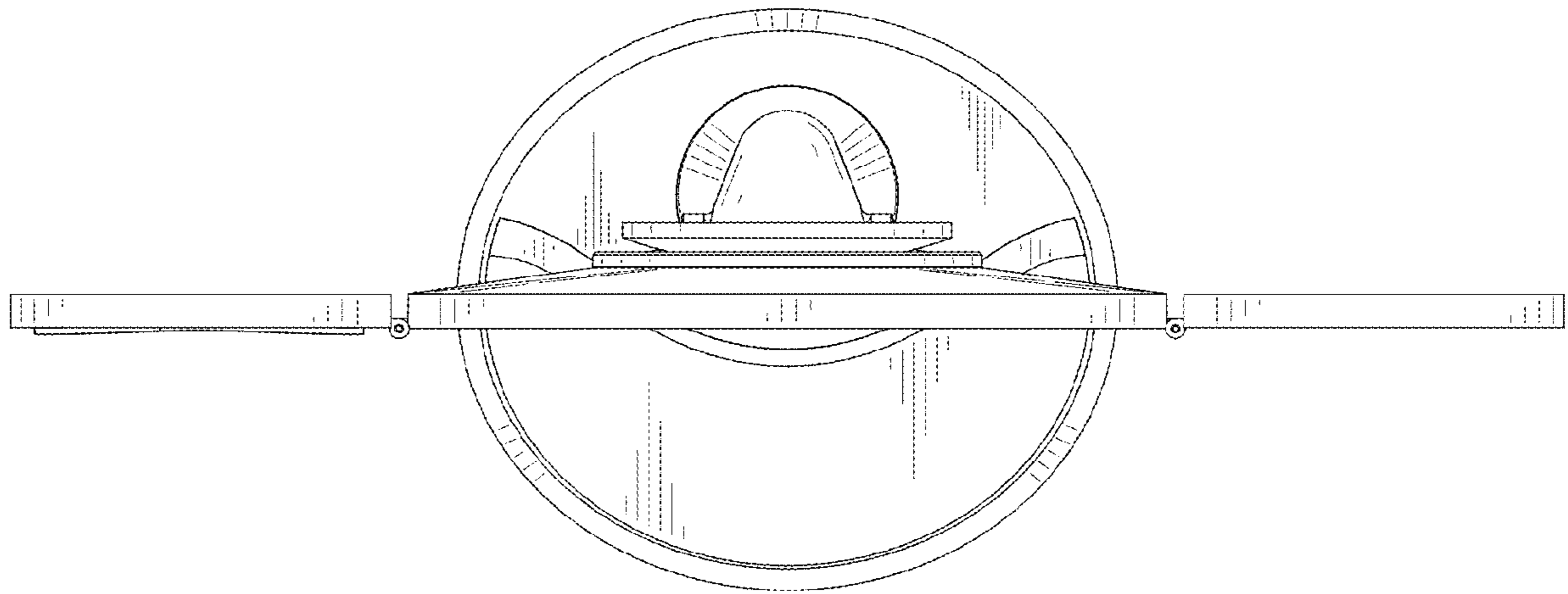


FIG. 7



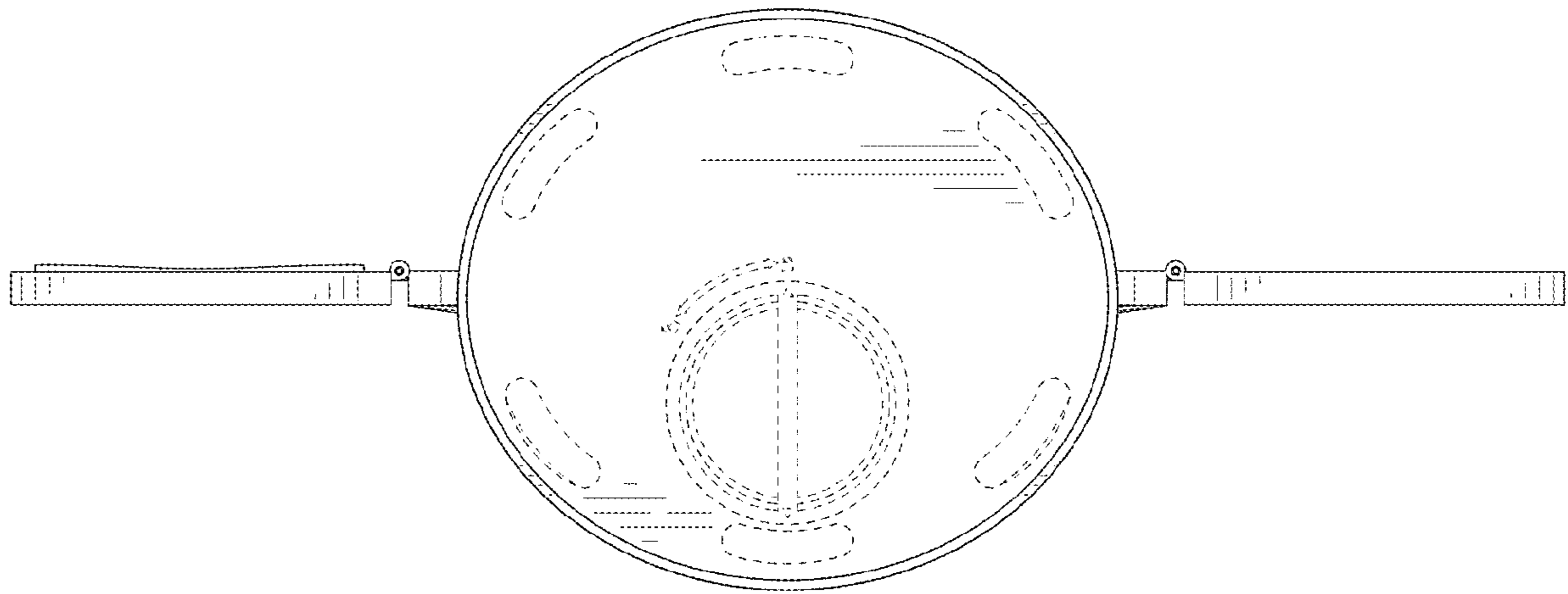


FIG. 8

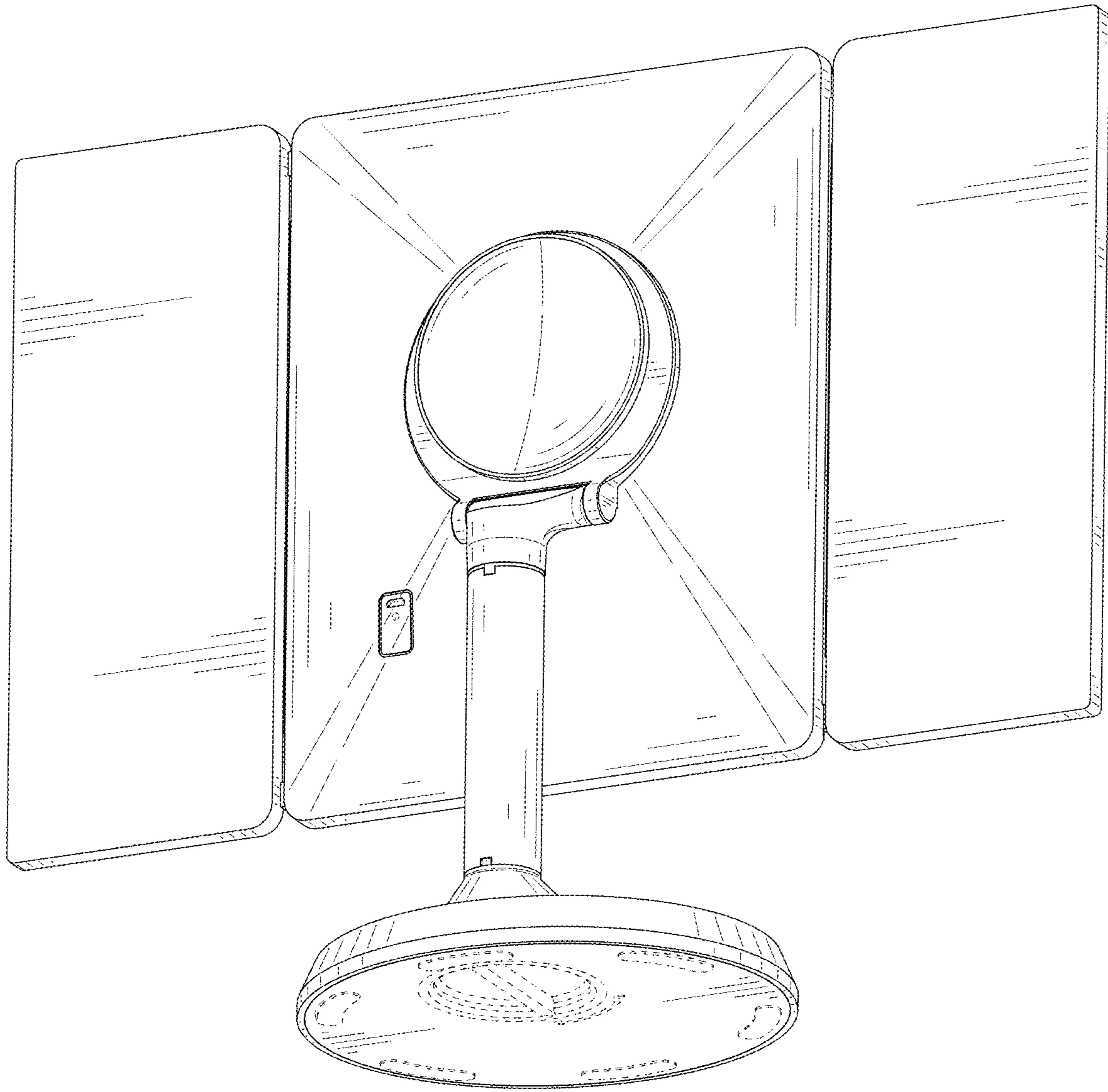


FIG. 9

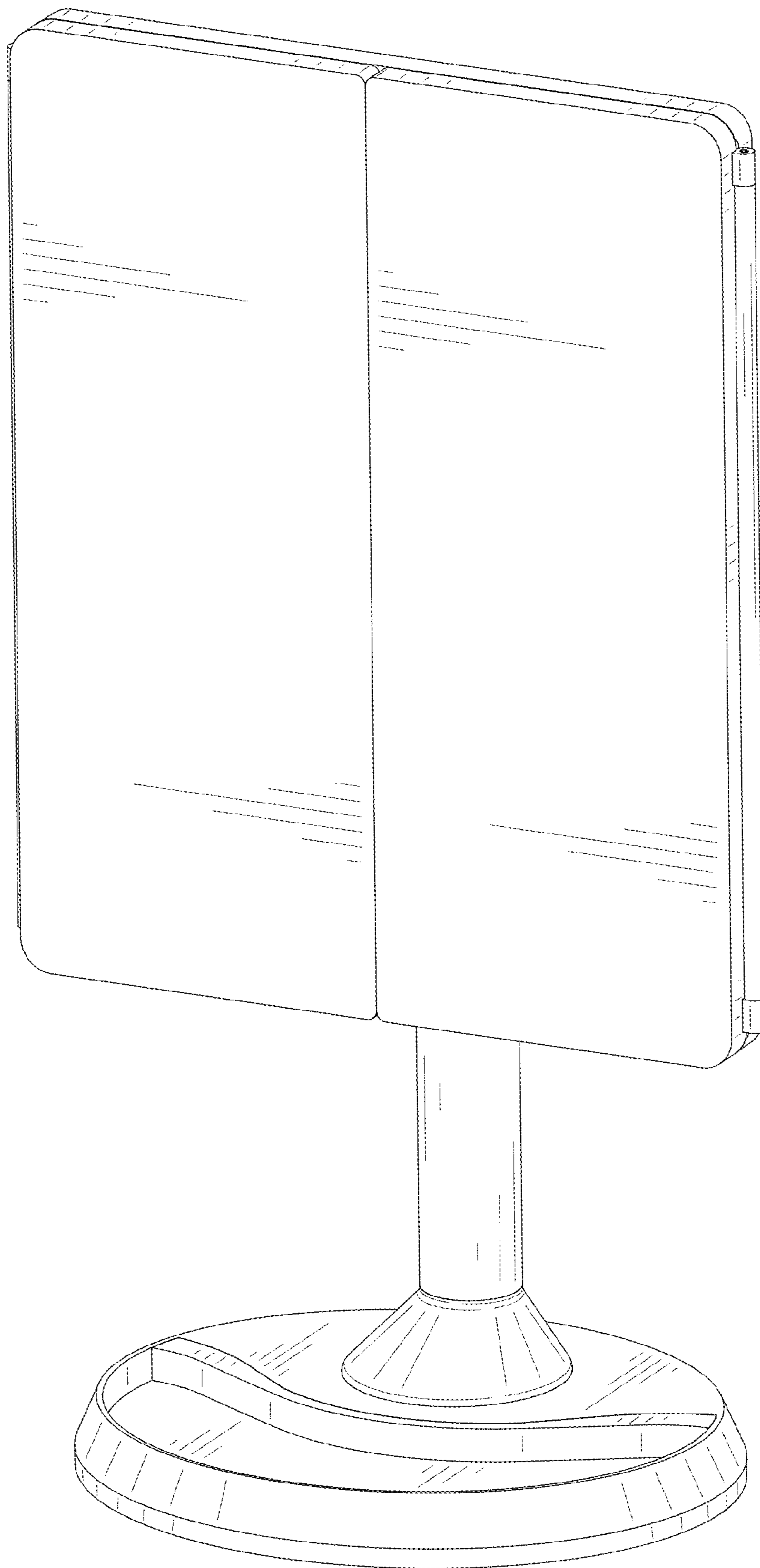


FIG. 10