



US00D927856S

(12) **United States Design Patent** (10) **Patent No.:** **US D927,856 S**  
**Hwang et al.** (45) **Date of Patent:** **\*\* Aug. 17, 2021**

- (54) **MASCARA BRUSH**
- (71) Applicant: **F.S.K.COLOR**, Seoul (KR)
- (72) Inventors: **Jae Kwang Hwang**, Seoul (KR); **Jeong Wook Hong**, Seongnam-si (KR)
- (73) Assignee: **F.S.K.COLOR**, Seoul (KR)
- (\*\*) Term: **15 Years**
- (21) Appl. No.: **29/672,737**
- (22) Filed: **Dec. 7, 2018**
- (30) **Foreign Application Priority Data**

Jun. 28, 2018 (KR) ..... 30-2018-0029922

- (51) **LOC (13) Cl.** ..... **04-02**
- (52) **U.S. Cl.**  
USPC ..... **D4/128**
- (58) **Field of Classification Search**  
USPC ..... D4/128, 129, 131, 136, 138, 108, 109,  
D4/119; D32/35, 51; 15/104.5, 104.16,  
15/104.2, 104.31, 104.32, 164, 165, 206;  
D28/65; D7/682; 452/298, 458  
CPC ..... A46B 7/026; A46B 5/005; A46B 17/04;  
A46B 2200/1046  
See application file for complete search history.

(56) **References Cited**

**U.S. PATENT DOCUMENTS**

D623,418 S *	9/2010	Martinez	.....	D4/128
D752,874 S *	4/2016	Jacob	.....	D4/128
D752,875 S *	4/2016	Jacob	.....	D4/128
D752,876 S *	4/2016	Jacob	.....	D4/128
D762,393 S *	8/2016	Hong	.....	D4/128
D828,038 S *	9/2018	Spitzer	.....	D4/128
D841,987 S *	3/2019	Tanaka	.....	D4/128

D841,988 S *	3/2019	Tanaka	.....	D4/128
D849,416 S *	5/2019	Choi	.....	D4/128
D858,999 S *	9/2019	Moon	.....	D4/128
D859,847 S *	9/2019	Moon	.....	D4/128
D869,755 S *	12/2019	Tanaka	.....	D28/7
D889,848 S *	7/2020	Park	.....	D4/114

\* cited by examiner

*Primary Examiner* — Austin Murphy

(74) *Attorney, Agent, or Firm* — Heedong Chae; Lucem, PC

(57) **CLAIM**

The ornamental design for a mascara brush, as shown and described.

**DESCRIPTION**

FIG. 1 is a perspective view of a mascara brush showing my new design;  
 FIG. 2 is a front view thereof;  
 FIG. 3 is a rear view thereof;  
 FIG. 4 is a left side view thereof;  
 FIG. 5 is a right side view thereof;  
 FIG. 6 is a top plan view thereof;  
 FIG. 7 is a bottom plan view thereof;  
 FIG. 8 is an enlarged front view of the encircled region of FIG. 2; and,  
 FIG. 9 is an enlarged perspective view of the encircled region of FIG. 1.  
 The dot-dash broken line circles in FIGS. 1, 2, 8, and 9 delineates a portion of the mascara brush that is part of the claimed design and that is shown on an enlarged scale in FIGS. 8 and 9. The dashed broken lines throughout the drawing figures depict portions of the mascara brush that form no part of the claimed design.

**1 Claim, 8 Drawing Sheets**

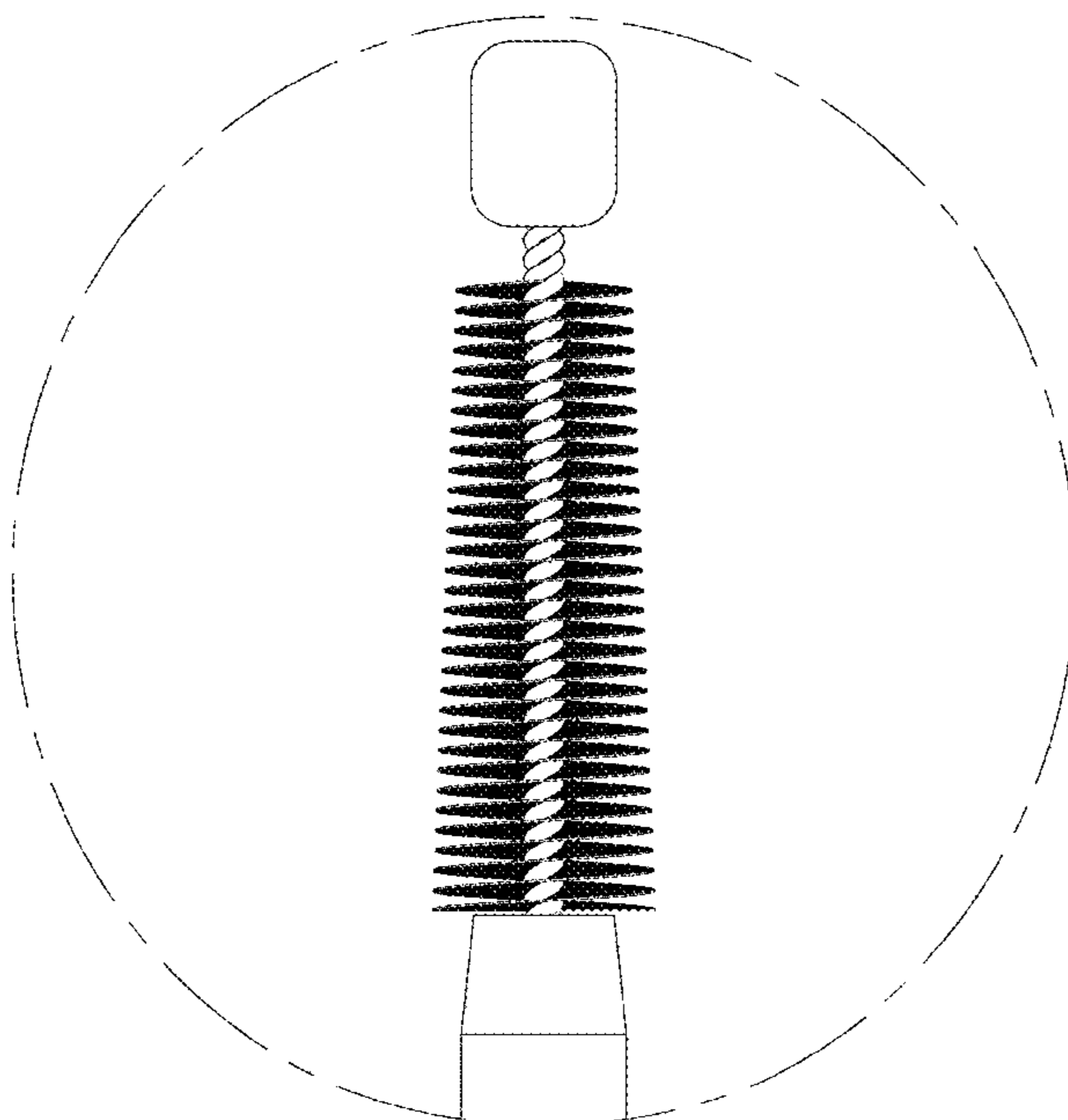


FIG. 1

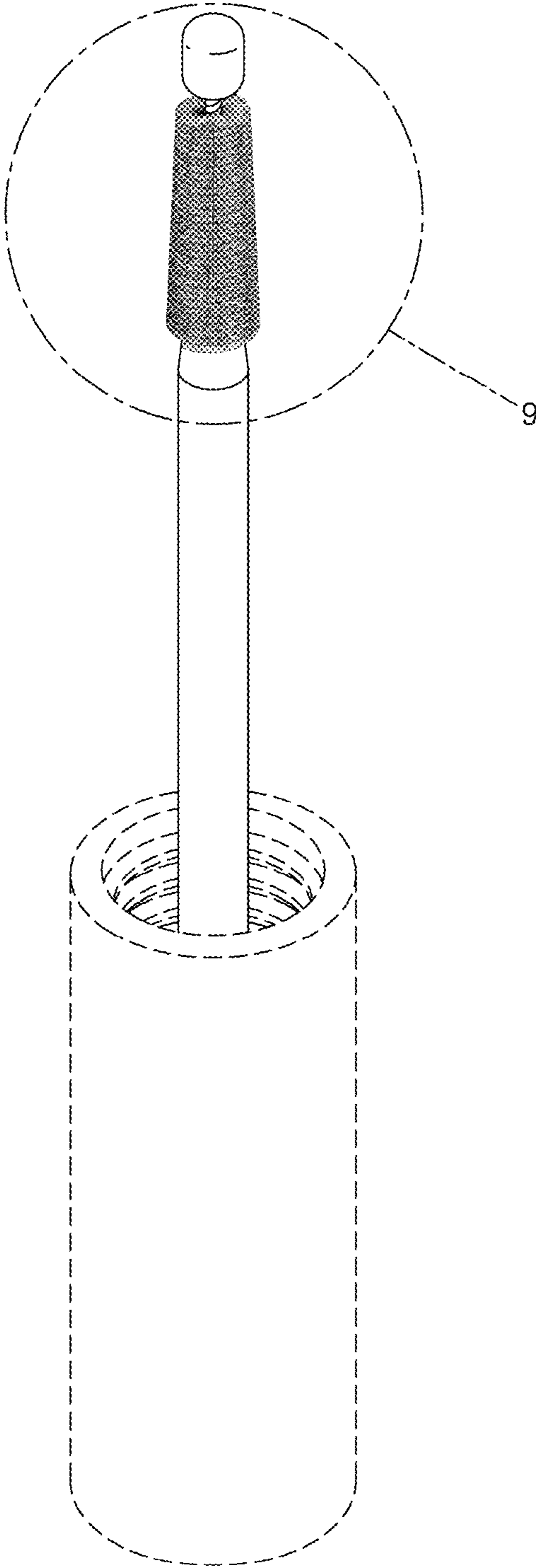


FIG. 2

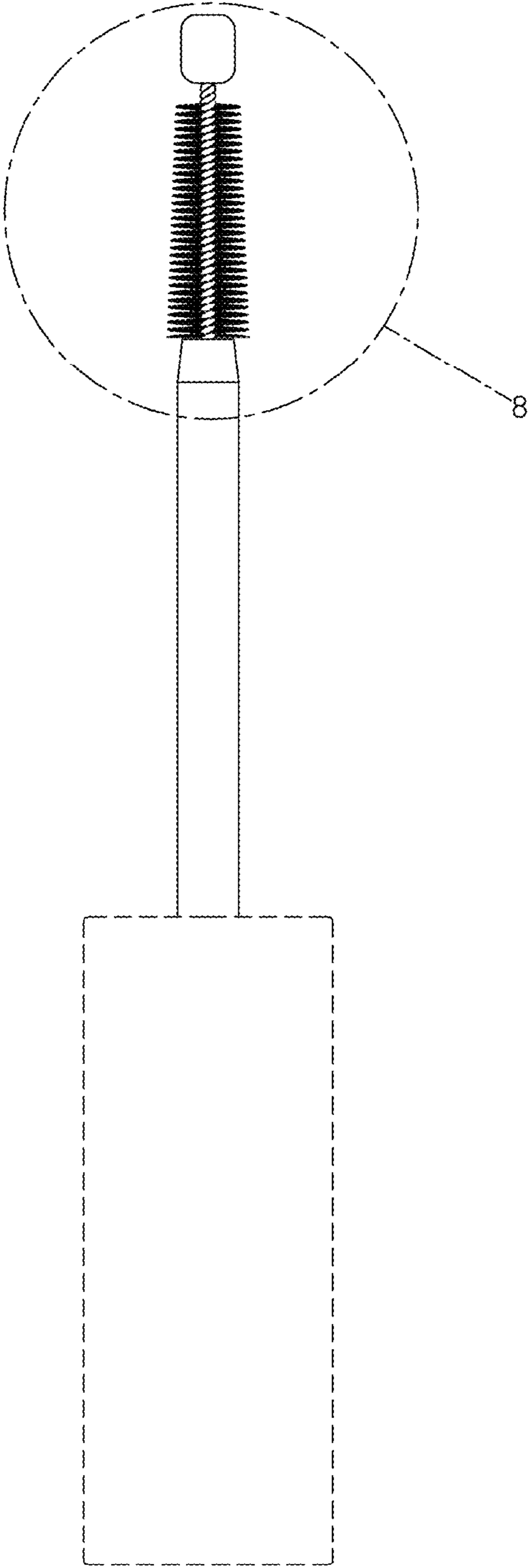


FIG. 3

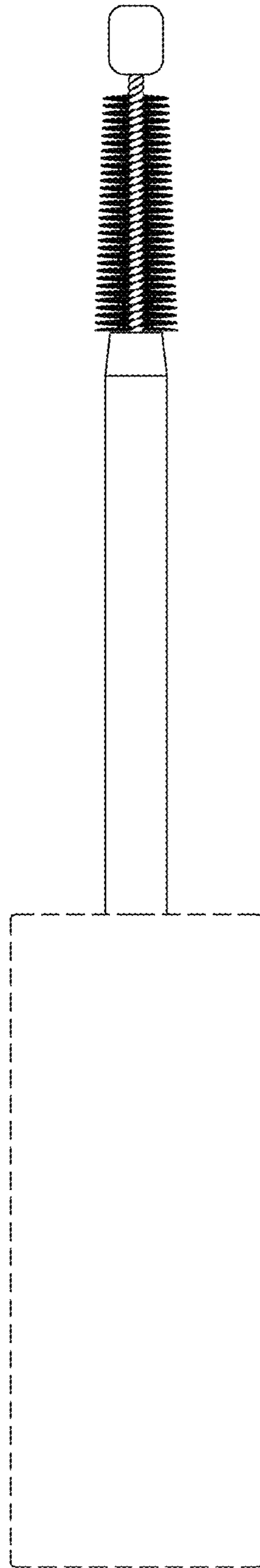


FIG. 4

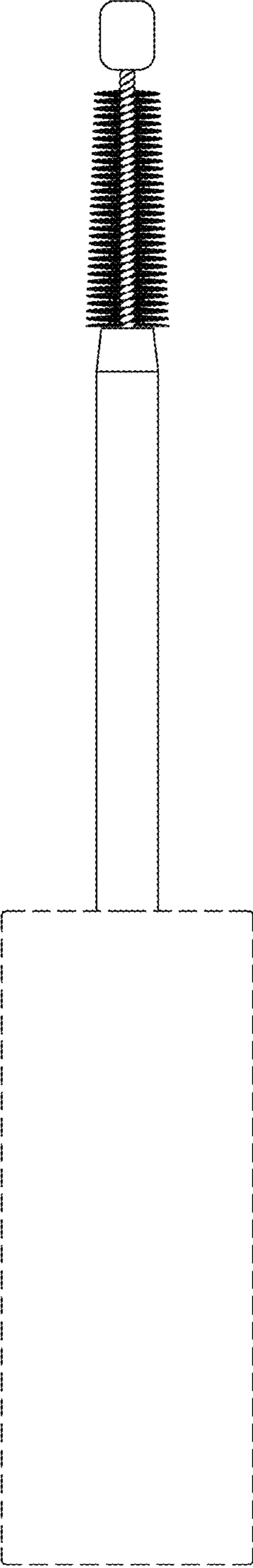


FIG. 5

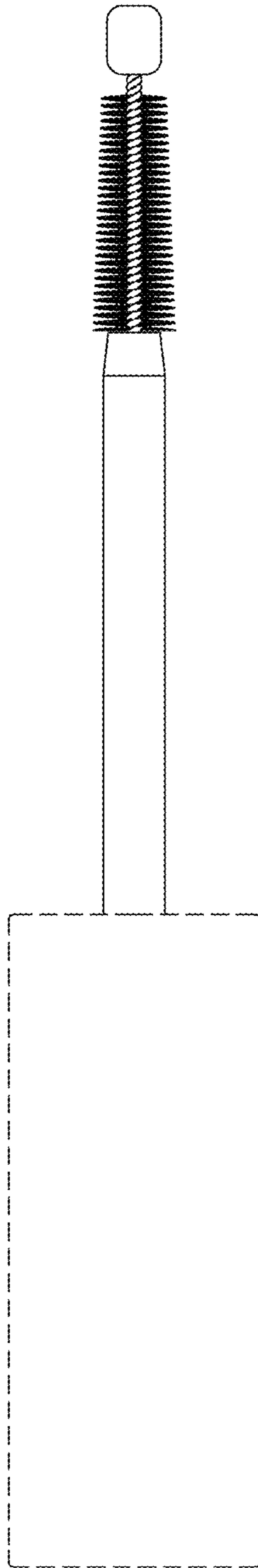


FIG. 6

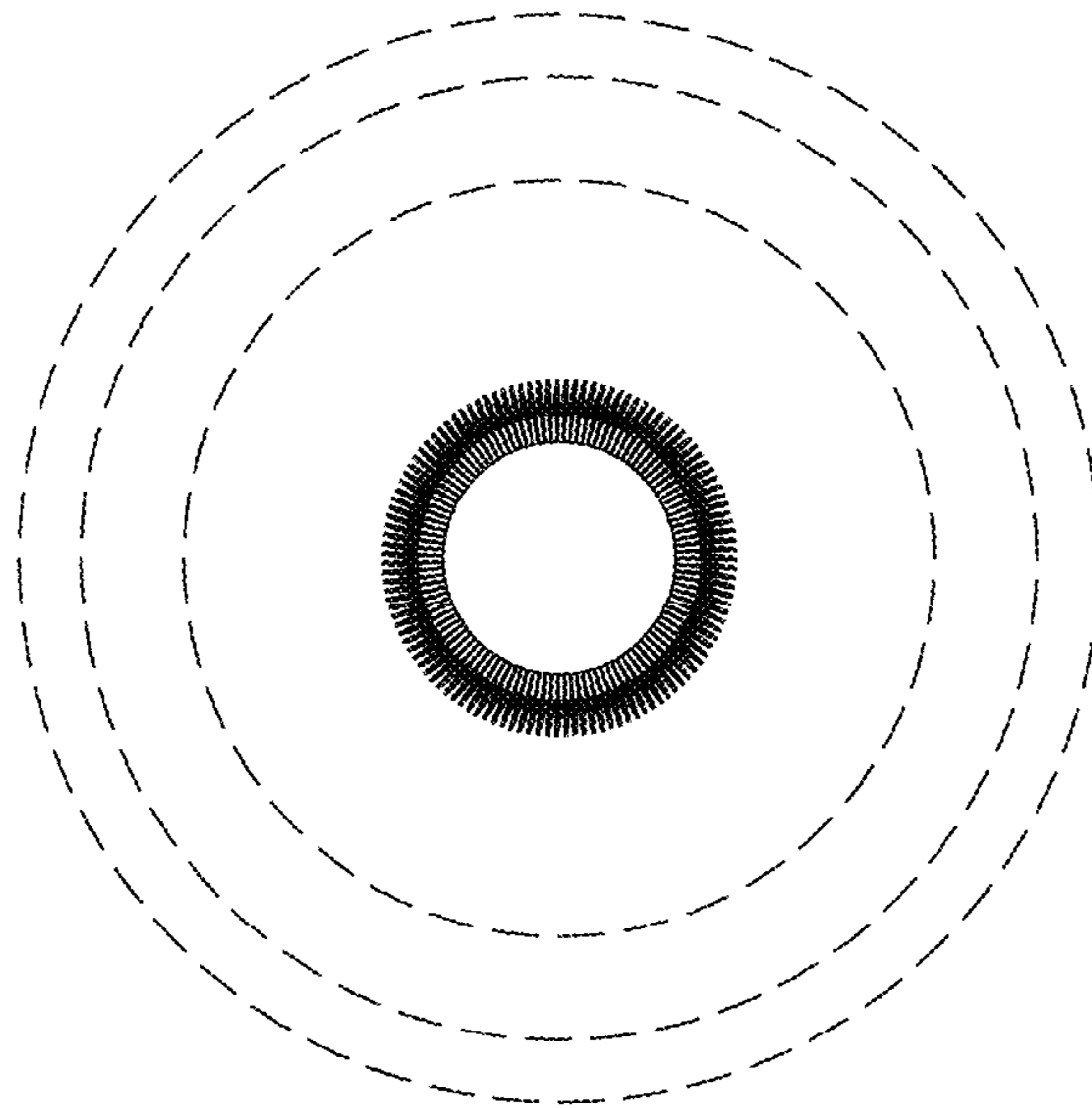


FIG. 7

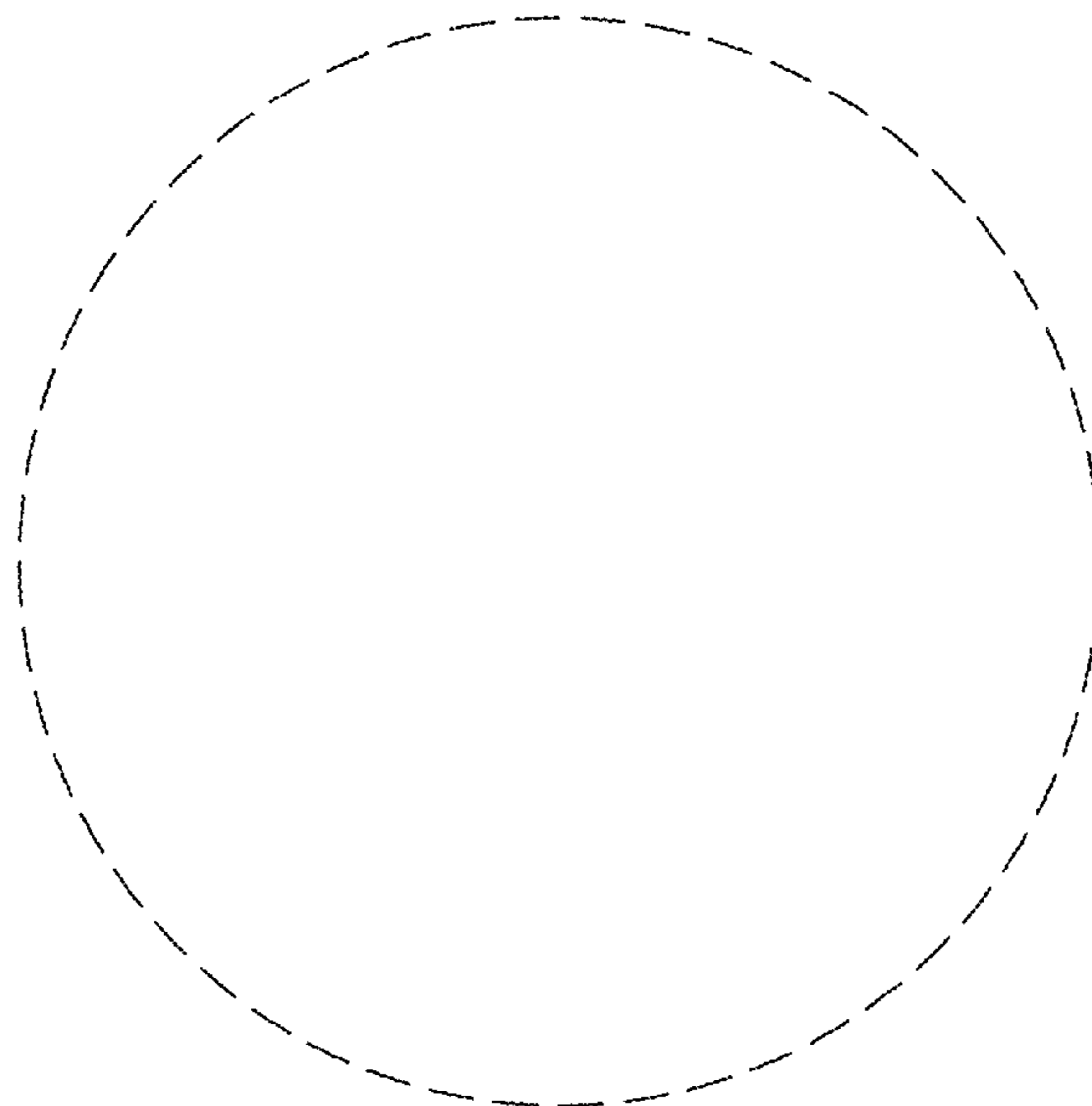


FIG. 8

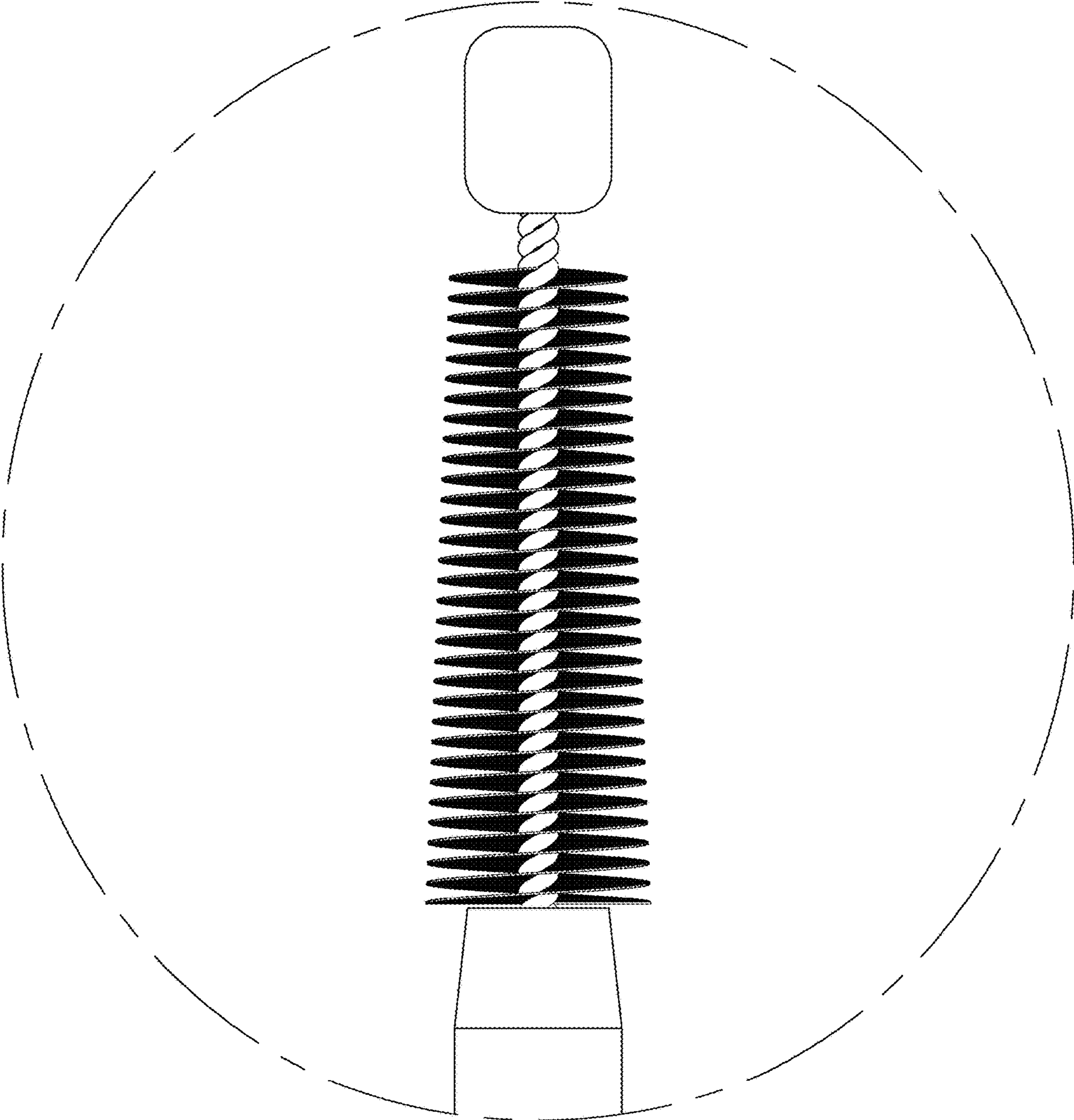




FIG. 9

