



US00D927855S

(12) **United States Design Patent** (10) **Patent No.:** **US D927,855 S**
Marrelli et al. (45) **Date of Patent:** **** Aug. 17, 2021**

(54) **TOWEL CLIP WITH BRUSH**

OTHER PUBLICATIONS

(71) Applicants: **Marguerite Marrelli**, Mentor, OH (US); **John R. Marrelli, Jr.**, Mentor, OH (US)

Walmart towel clip, announced 2021 [online], [site visited Jun. 24, 2021]. Available from internet, URL: <https://www.walmart.com/ip/Durable-Large-Beach-Towel-Clips-for-Beach-Chair-Pool-Loungers-on-Your-Cruise-Keep-Your-Towel-from-Blowing-Away/566605395> (Year: 2021).*

(72) Inventors: **Marguerite Marrelli**, Mentor, OH (US); **John R. Marrelli, Jr.**, Mentor, OH (US)

Primary Examiner — Kevin K Rudzinski

Assistant Examiner — Tamara L Hahn

(**) Term: **15 Years**

(74) *Attorney, Agent, or Firm* — Carl A. Hjort, III

(21) Appl. No.: **29/747,176**

(22) Filed: **Aug. 20, 2020**

(57) **CLAIM**

Related U.S. Application Data

The ornamental design for a towel clip with brush, as shown and described.

(62) Division of application No. 29/680,670, filed on Feb. 19, 2019, now Pat. No. Des. 895,298.

(51) **LOC (13) Cl.** **04-99**

(52) **U.S. Cl.**
USPC **D4/116**

DESCRIPTION

(58) **Field of Classification Search**
USPC D4/114–137; D8/394, 395; D28/40
CPC A46B 3/08; A47G 25/485; A47G 25/48;
A47G 25/483; B65D 33/1675
See application file for complete search history.

FIG. 1 is a front perspective view of a towel clip with brush according to the present design;
FIG. 2 is a front view of a towel clip with brush according to the present design;
FIG. 3 is a rear view of a towel clip with brush according to the present design;
FIG. 4 is a right side view of a towel clip with brush according to the present design;
FIG. 5 is a left side view of a towel clip with brush according to the present design;
FIG. 6 is a top view of a towel clip with brush according to the present design;
FIG. 7 is a bottom view of a towel clip with brush according to the present design; and,
FIG. 8 is a front perspective view of a towel clip with brush in use.
The broken lines in FIG. 8 depict environment and forms no part of the claimed design. All other broken lines depict portion of the towel clip with brush that form no part of the claimed design.

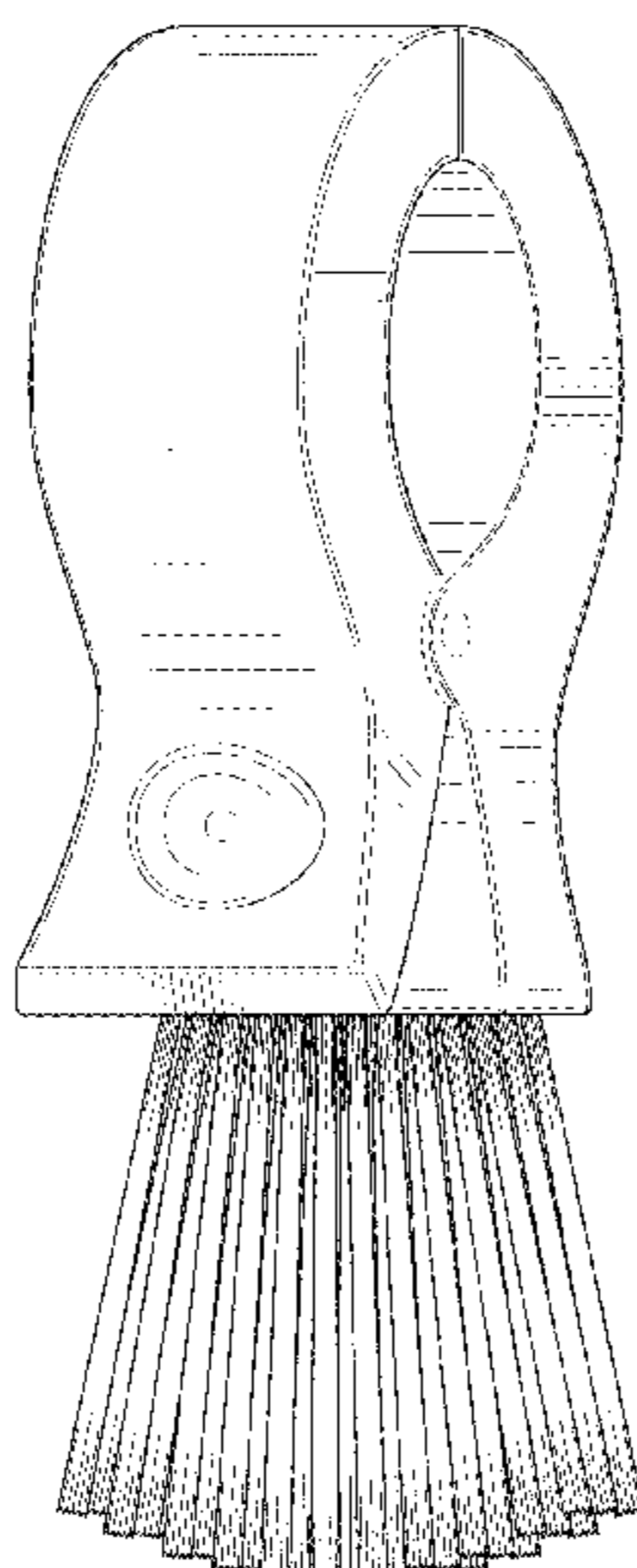
(56) **References Cited**

U.S. PATENT DOCUMENTS

D245,462 S *	8/1977	Hauf	D4/129
D317,116 S *	5/1991	Nimtz	D32/64
D367,223 S *	2/1996	Adams	D8/395
D372,178 S *	7/1996	Gossett	D8/395
D404,525 S *	1/1999	Knudsen	D28/42
D405,808 S *	2/1999	Bankier	D15/78
D453,294 S *	2/2002	Bitzer	D8/395
D455,339 S *	4/2002	Tsai	D19/65
D521,369 S *	5/2006	Sollberger	D8/395
D528,903 S *	9/2006	Alitowski	D8/395
D731,912 S *	6/2015	Beverly	D10/121
D812,291 S *	3/2018	Victor	D27/183
D873,126 S *	1/2020	Tang	D8/395

(Continued)

1 Claim, 6 Drawing Sheets



(56)

References Cited

U.S. PATENT DOCUMENTS

D878,693 S * 3/2020 Spater D32/35
D895,298 S * 9/2020 Marrelli D4/116

* cited by examiner

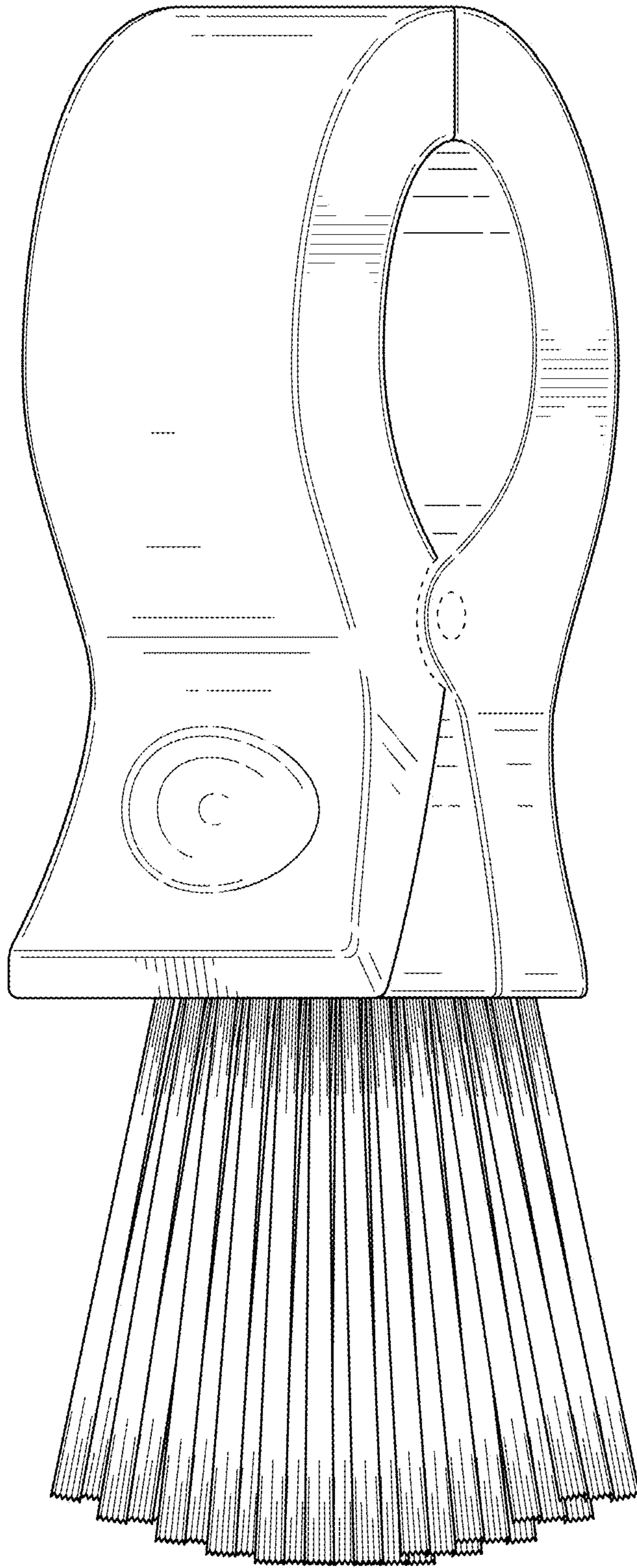


Fig. 1

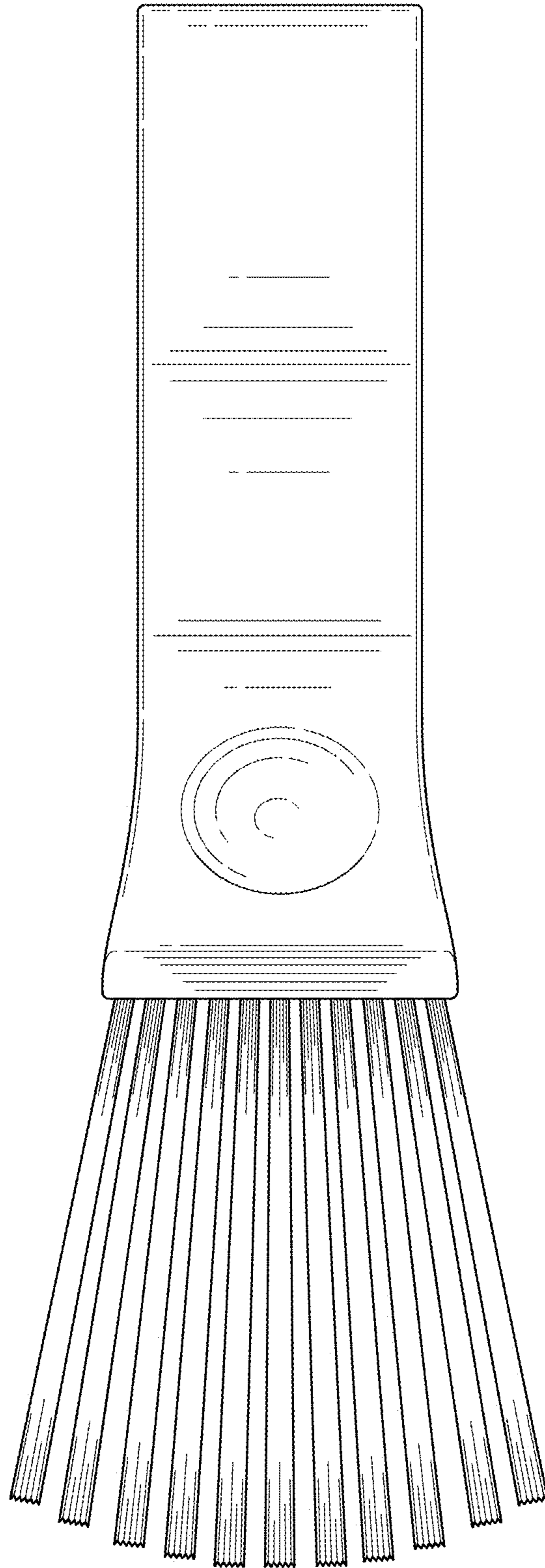


Fig. 2

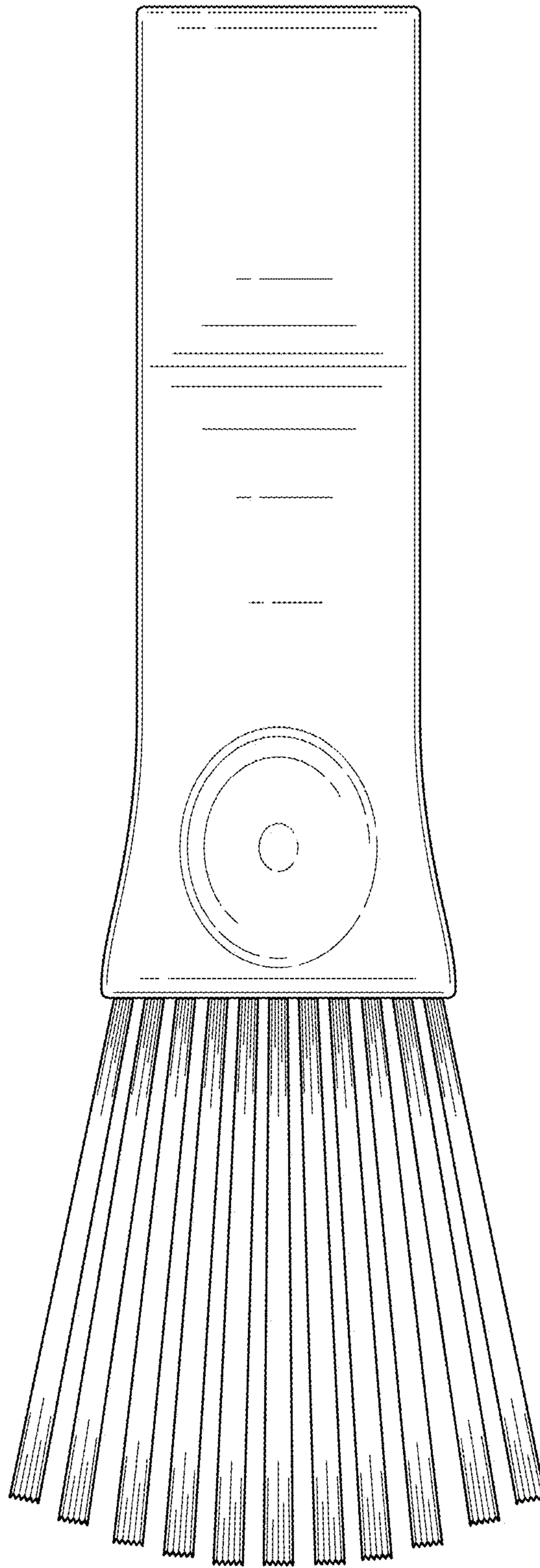


Fig. 3

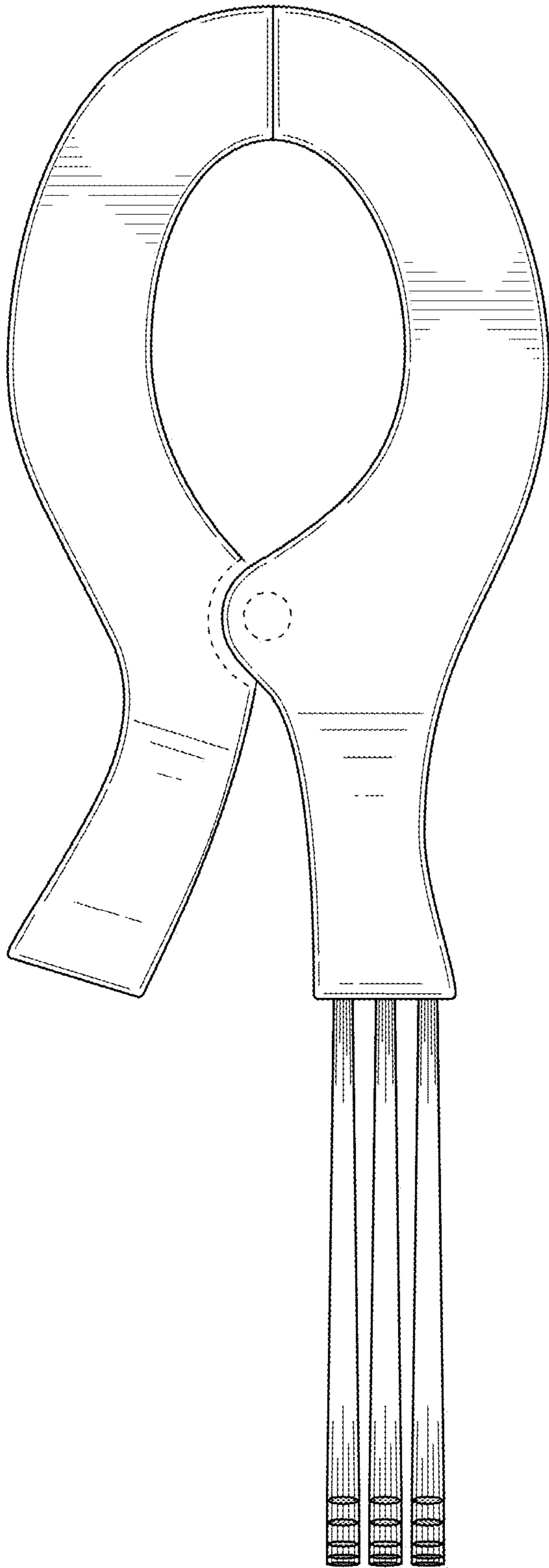


Fig. 4

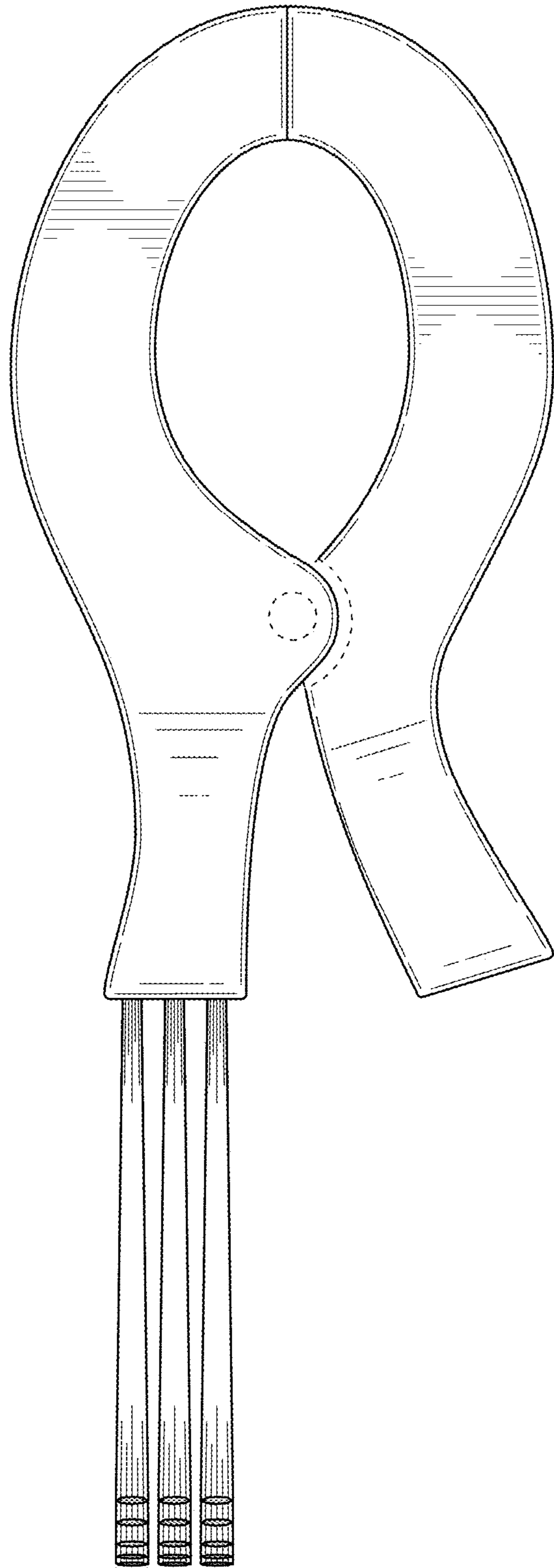


Fig. 5

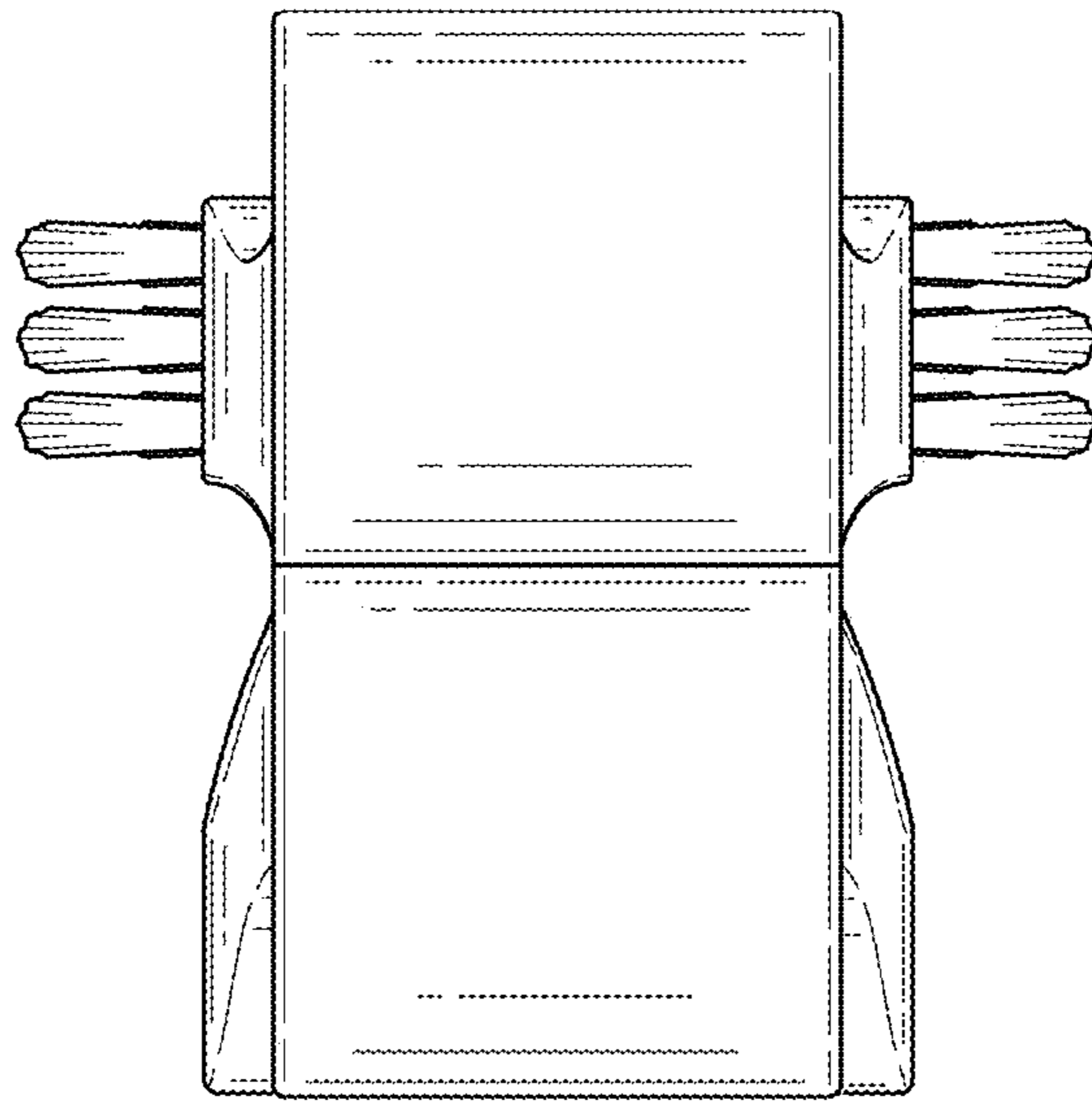


Fig. 6

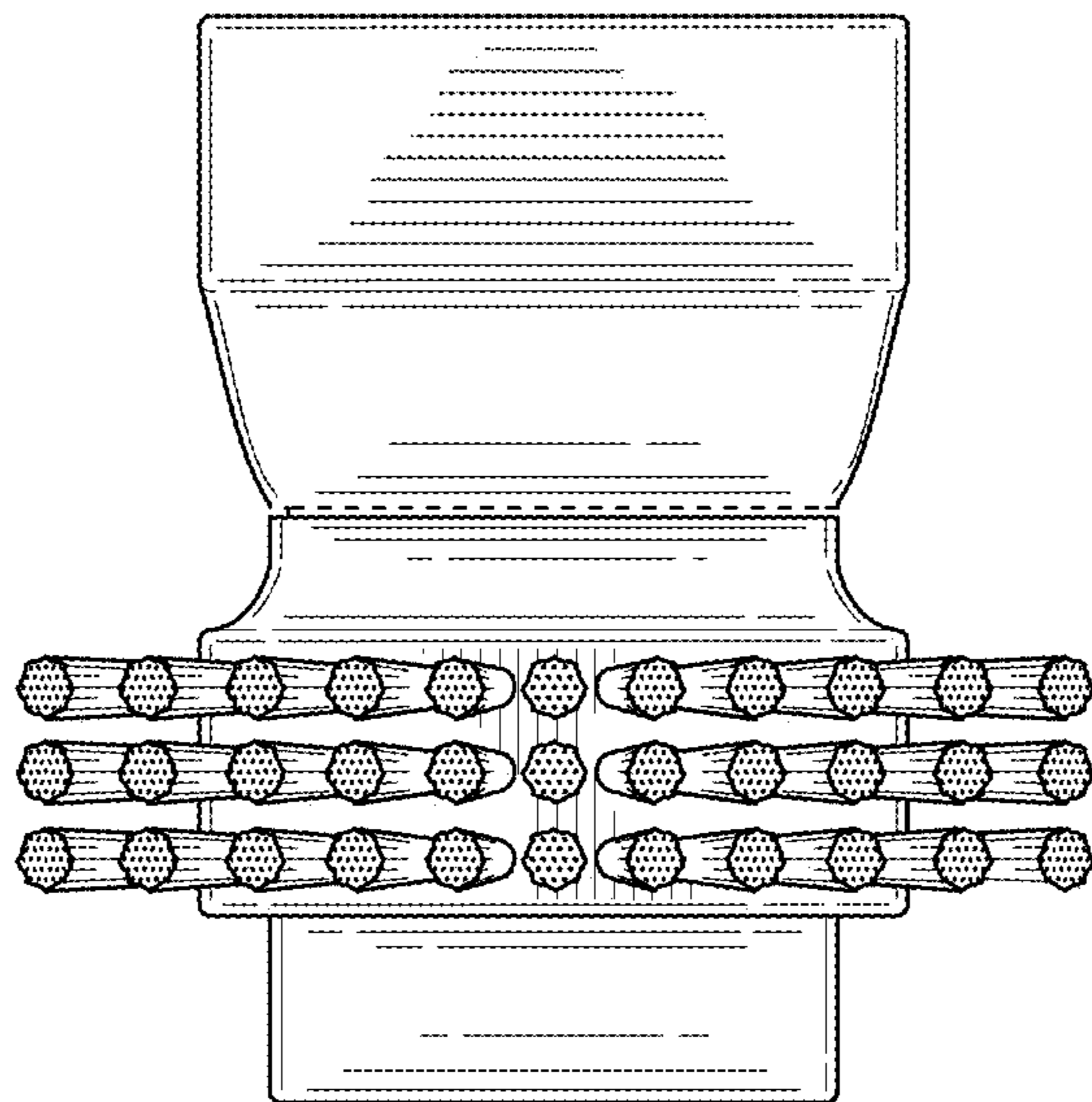


Fig. 7

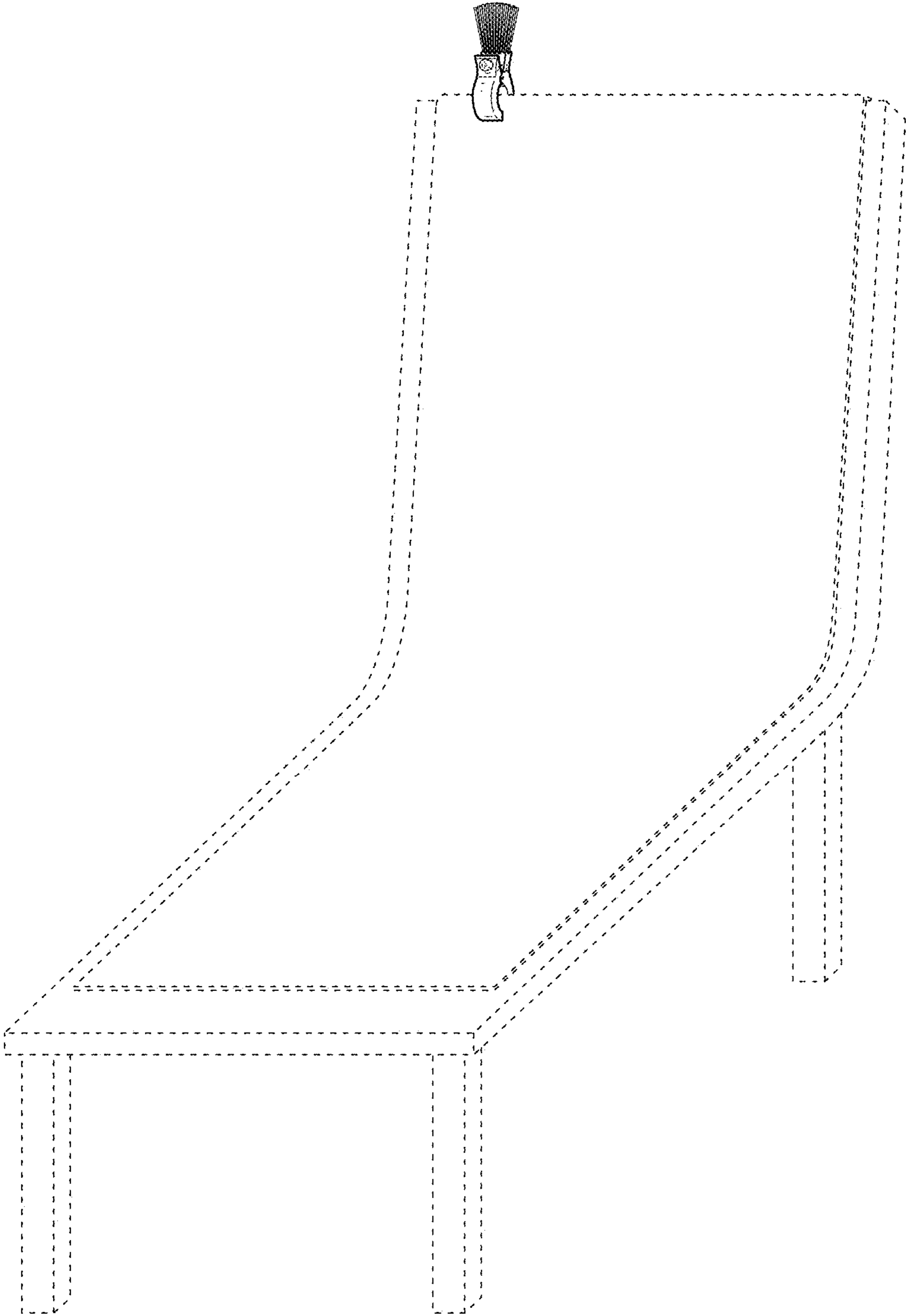


Fig. 8