



US00D927853S

(12) **United States Design Patent** (10) **Patent No.:** **US D927,853 S**
Hsu (45) **Date of Patent:** **** Aug. 17, 2021**

(54) **CONTAINER**

(71) Applicant: **L&F PLASTICS, CO., LTD.**, Miaoli County (TW)

(72) Inventor: **Mu-Chuan Hsu**, Miaoli County (TW)

(73) Assignee: **L&F Plastics, Co., Ltd.**, Tainan (TW)

(**) Term: **15 Years**

(21) Appl. No.: **29/756,292**

(22) Filed: **Oct. 27, 2020**

Related U.S. Application Data

(62) Division of application No. 29/683,547, filed on Mar. 14, 2019.

(51) **LOC (13) Cl.** **03-01**

(52) **U.S. Cl.**
USPC **D3/302**

(58) **Field of Classification Search**
USPC D3/20, 24, 25, 274, 276, 291, 302, 905,
D3/294, 201, 203.1, 203.2, 273, 295, 298,
D3/318, 901, 902, 903, 217
CPC .. A45F 3/48; B65D 50/04; B65D 1/22; A45C
2011/001; A45C 2011/003

See application file for complete search history.

(56) **References Cited**

U.S. PATENT DOCUMENTS

D328,425 S * 8/1992 Brightbill D3/282
D381,513 S 7/1997 Brauner
D424,299 S 5/2000 Varfeldt
D490,277 S * 5/2004 Kim D3/302
D505,262 S 5/2005 Chinni
7,104,414 B2 9/2006 Apps et al.
D600,019 S 9/2009 Cope
H2235 H 4/2010 Manounian
D650,174 S * 12/2011 Ahlstrom D3/302
D654,690 S * 2/2012 Sofy D3/309

D661,901 S 6/2012 Orgeldinger
D701,044 S * 3/2014 Kishimoto D3/272
D738,623 S * 9/2015 Wood D3/302
D748,916 S * 2/2016 Nilsson D3/302
D758,726 S * 6/2016 Minneman D3/262
D759,972 S * 6/2016 Duvigneau D3/281
D801,686 S 11/2017 Park
D821,749 S * 7/2018 Nilsson D3/302
D826,557 S * 8/2018 Han D3/282
D840,803 S * 2/2019 Poorman D9/431
D848,148 S * 5/2019 Li D3/282
D859,836 S 9/2019 Ritzberger

(Continued)

OTHER PUBLICATIONS

Shopee.tw, “[Special House] Thousands of free shipping Taiwan-made FINE moisture-proof storage box.”, First reviewed Apr. 17, 2020. (<https://bit.ly/3aBcrxs>)—link shortened to allow for unrecognized characters—(Year: 2020).*

(Continued)

Primary Examiner — April Rivas

(74) *Attorney, Agent, or Firm* — Millen, White, Zelano & Branigan, P.C.; Wan-Ching Montfort; William Nixon

(57) **CLAIM**

The ornamental design for a container, as shown and described.

DESCRIPTION

FIG. 1 is a front perspective view of a container showing my new design;

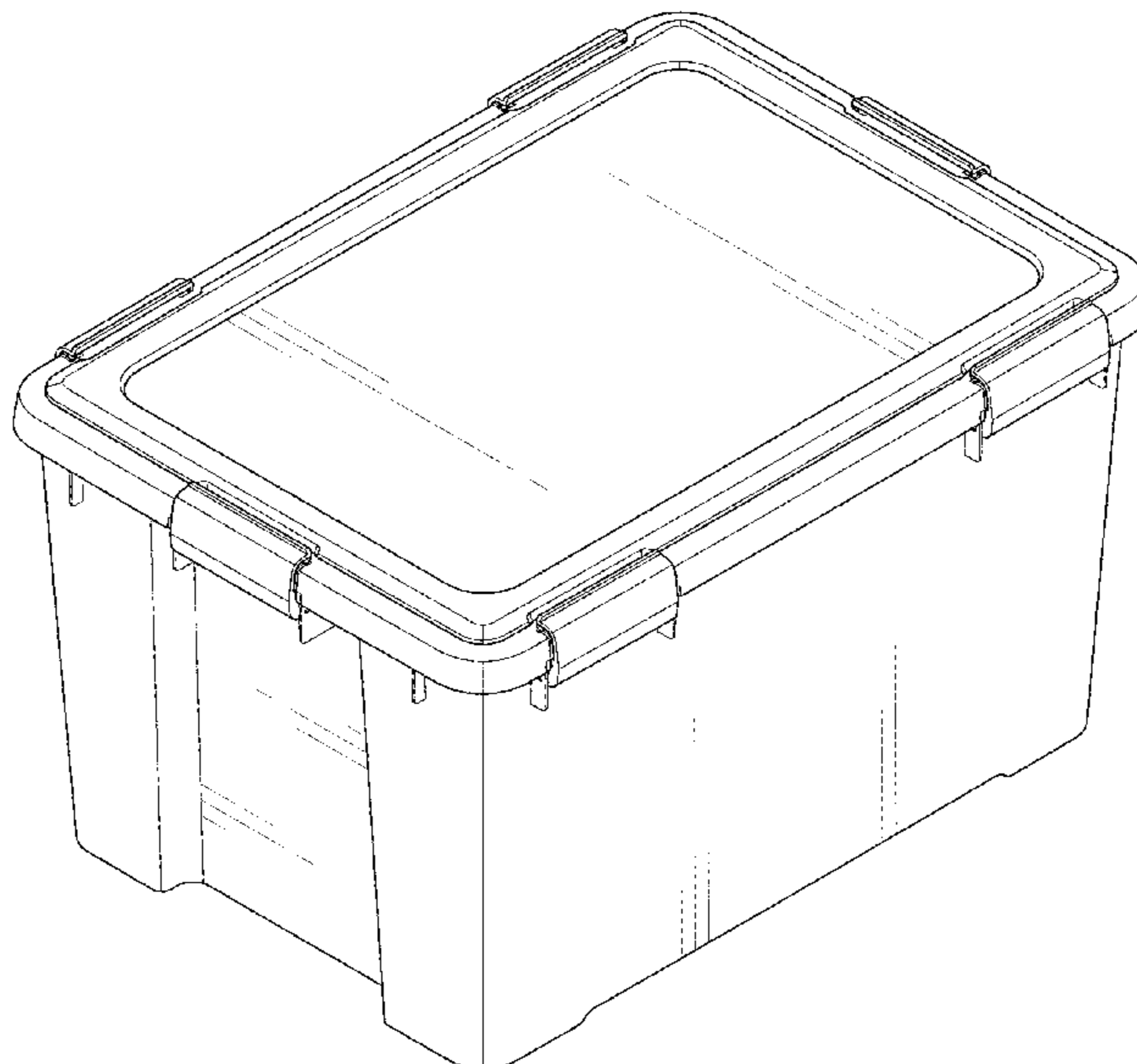
FIG. 2 is a front view thereof and the rear view thereof being a same image;

FIG. 3 is a right side view thereof and the left side view thereof being a same image; and,

FIG. 4 is a top view thereof.

The undisclosed bottom view is unornamented and forms no part of the claimed ornamental design.

1 Claim, 4 Drawing Sheets



(56)

References Cited

U.S. PATENT DOCUMENTS

2006/0011627 A1 1/2006 Overholt et al.
2007/0164033 A1* 7/2007 Maia B65D 1/22
220/526
2015/0131039 A1 5/2015 Wang et al.
2016/0332785 A1* 11/2016 Sexton B65D 45/20

OTHER PUBLICATIONS

Amazon.co.uk, "IRIS 60 Litre XL Weathertight Airtight Clear Plastic Damp Area Dry Storage Boxes . . .", First on sale Apr. 13, 2015. (<https://www.amazon.co.uk/Litre-Weathertight-Airtight-Plastic-Storage/dp/B00W1XDTFM>) (Year: 2015).*

Amazon, "QTJH Collapsible Storage Bin/Containe . . .", First on sale Jul. 17, 2020. (<https://www.amazon.com/dp/B08D6D2KJ9/>) (Year: 2020).

Keyway, "Hynix 800 folding basket", Accessed Jan. 21, 2021. (http://www.keyway.com.tw/content/product/pro_cont.aspx?SiteID=2&MSid=701725301405576515&SID=1035401050103605676) (Year: 2021).

Form-892 in corresponding U.S. Appl. No. 29/683,547 received Feb. 3, 2021 (1 page).

* cited by examiner

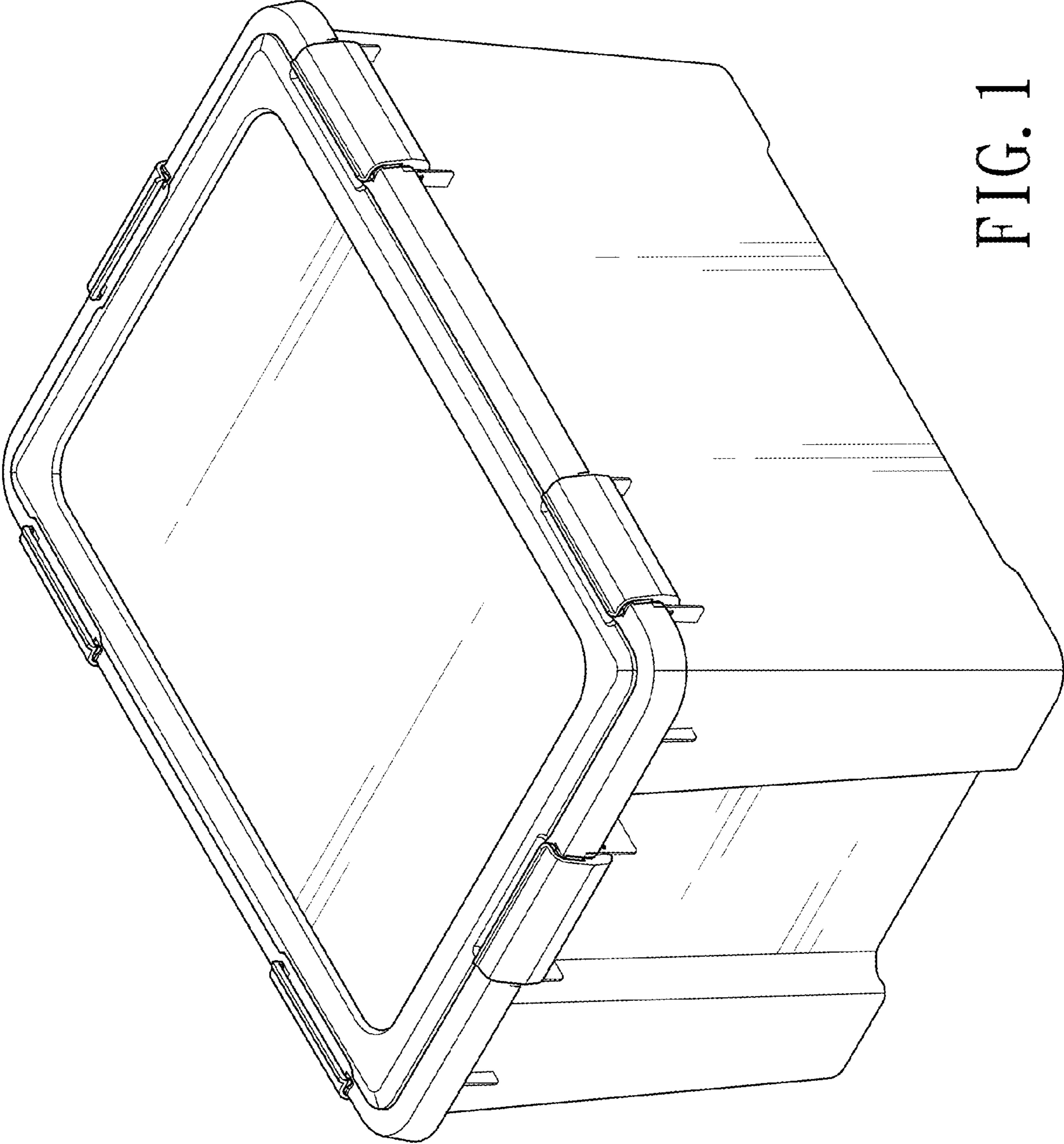


FIG. 1

FIG. 2

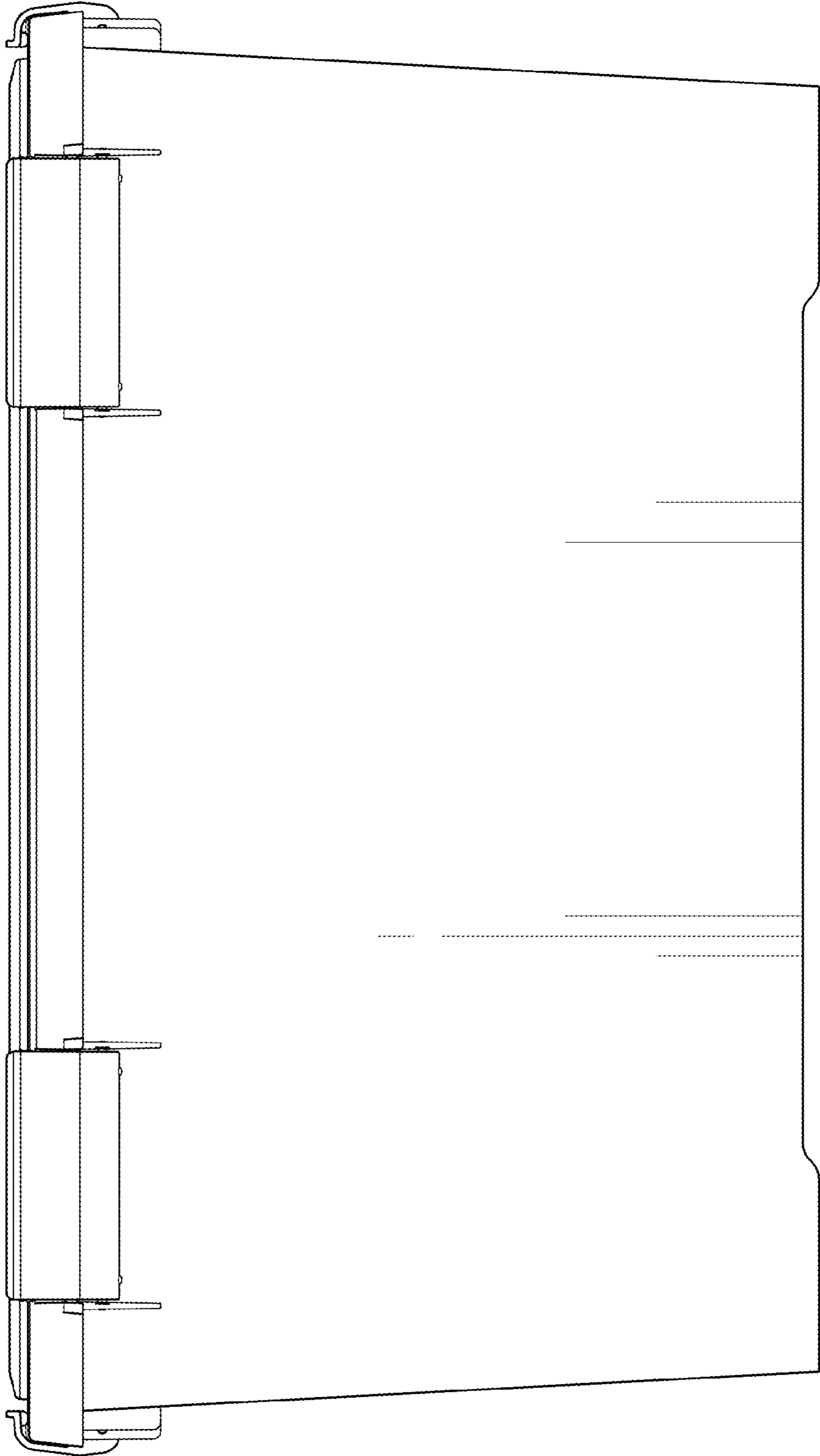


FIG. 3

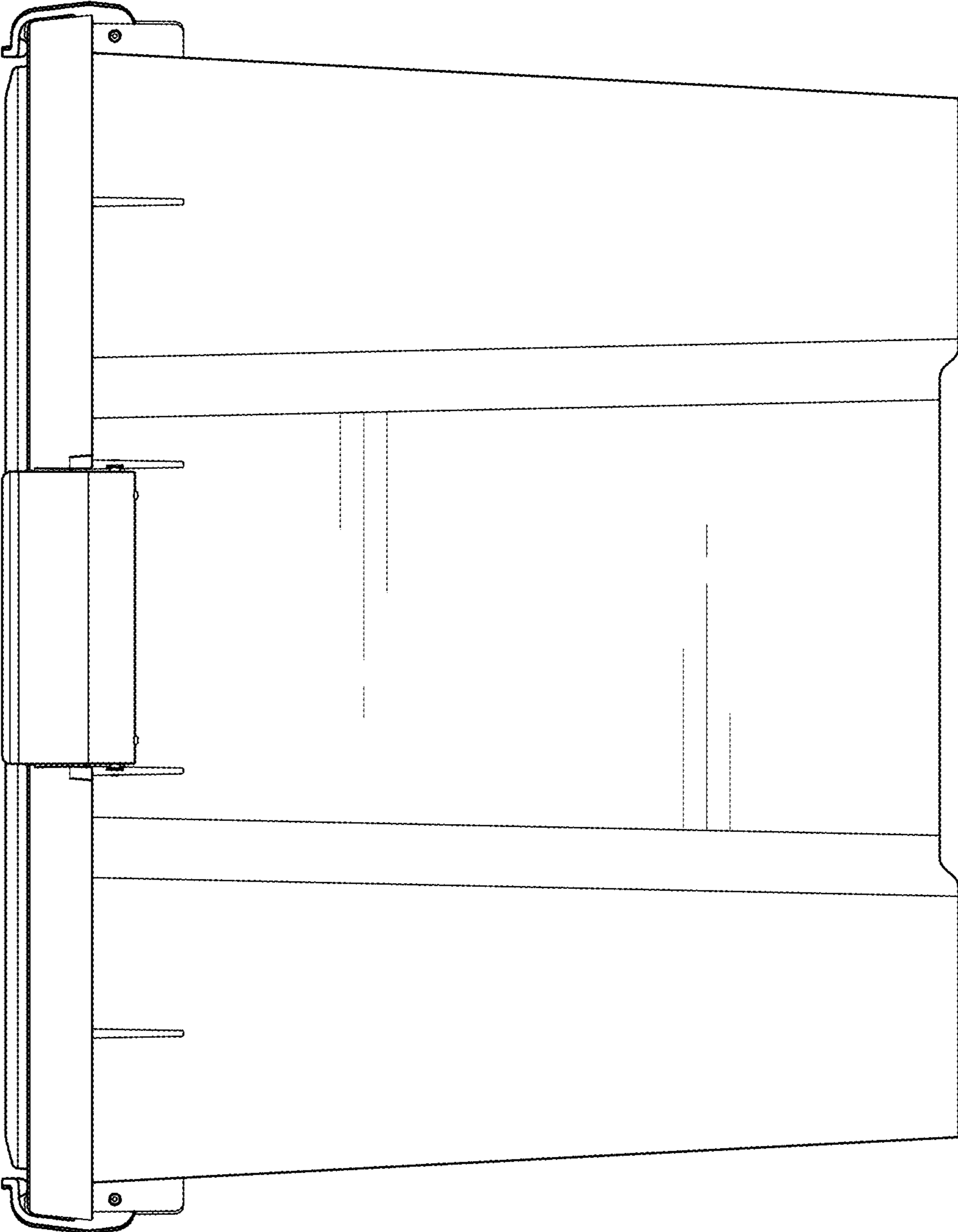


FIG. 4

