



US00D927852S

(12) **United States Design Patent** (10) **Patent No.:** **US D927,852 S**  
**Mauter** (45) **Date of Patent:** **\*\* Aug. 17, 2021**

(54) **TOOL BOX**

FOREIGN PATENT DOCUMENTS

(71) Applicant: **Stephen Mauter**, Hinsdale, MA (US)

CN 302860644 \* 7/2014  
GB 2046575 \* 8/1995

(72) Inventor: **Stephen Mauter**, Hinsdale, MA (US)

OTHER PUBLICATIONS

(\*\*) Term: **15 Years**

Moroso Carburetor Tool Tray 4500, first available Nov. 13, 2005, amazon.com [online], [site visited Apr. 7, 2021], Available at internet URL: <https://www.amazon.com/Moroso-65801-Carburetor-Top-Tool-Tray/dp/B000CONZMO> (Year: 2005).\*

(21) Appl. No.: **29/722,377**

(Continued)

(22) Filed: **Jan. 29, 2020**

(51) **LOC (13) Cl.** ..... **03-01**

(52) **U.S. Cl.**

USPC ..... **D3/298**; D3/304; D3/905

(58) **Field of Classification Search**

USPC ..... D3/272, 304–315, 318–319, 321, D3/901–902, 298, 905; D6/672–673, D6/675, 675.1, 683, 683.1, 583; D7/600, D7/600.1; D15/89; D34/17, 24

CPC ... B65D 1/00; B65D 1/22; B65D 1/24; B65D 1/34; B65D 1/36; B65D 1/38; B65D 1/225; B65D 1/243; B65D 5/00; B65D 5/42; B65D 7/14; B65D 11/00; B65D 11/14; B65D 11/20; B65D 19/00; B65D 19/02; B65D 21/00; B65D 21/02; B65D 43/162; B65D 71/0003; B65D 81/3813; B65D 81/02; B65D 2543/00194; B65D 2543/00296; B65D 2543/00222

See application file for complete search history.

*Primary Examiner* — Jeffrey D Asch

*Assistant Examiner* — Caitlin Ann Laverty

(74) *Attorney, Agent, or Firm* — Schmeiser, Olsen & Watts, LLP

(57)

**CLAIM**

The ornamental design for a tool box, as shown and described.

**DESCRIPTION**

FIG. 1 is a first perspective view of a tool box of my new design;  
FIG. 2 is a front view thereof;  
FIG. 3 is a back view thereof;  
FIG. 4 is a first side view thereof;  
FIG. 5 is a second side view thereof, wherein each side is a mirror image of the other side;  
FIG. 6 is a top view thereof;  
FIG. 7 is bottom view thereof;  
FIG. 8 is a second perspective view thereof;  
FIG. 9 is an enlarged partial perspective view of the top thereof;  
FIG. 10 is an enlarged partial perspective view of the back thereof; and  
FIG. 11 is a first perspective view of the back thereof; and, FIG. 12 is a second perspective view of the back thereof.  
The broken lines show portions of the tool box that form no part of the claimed design.

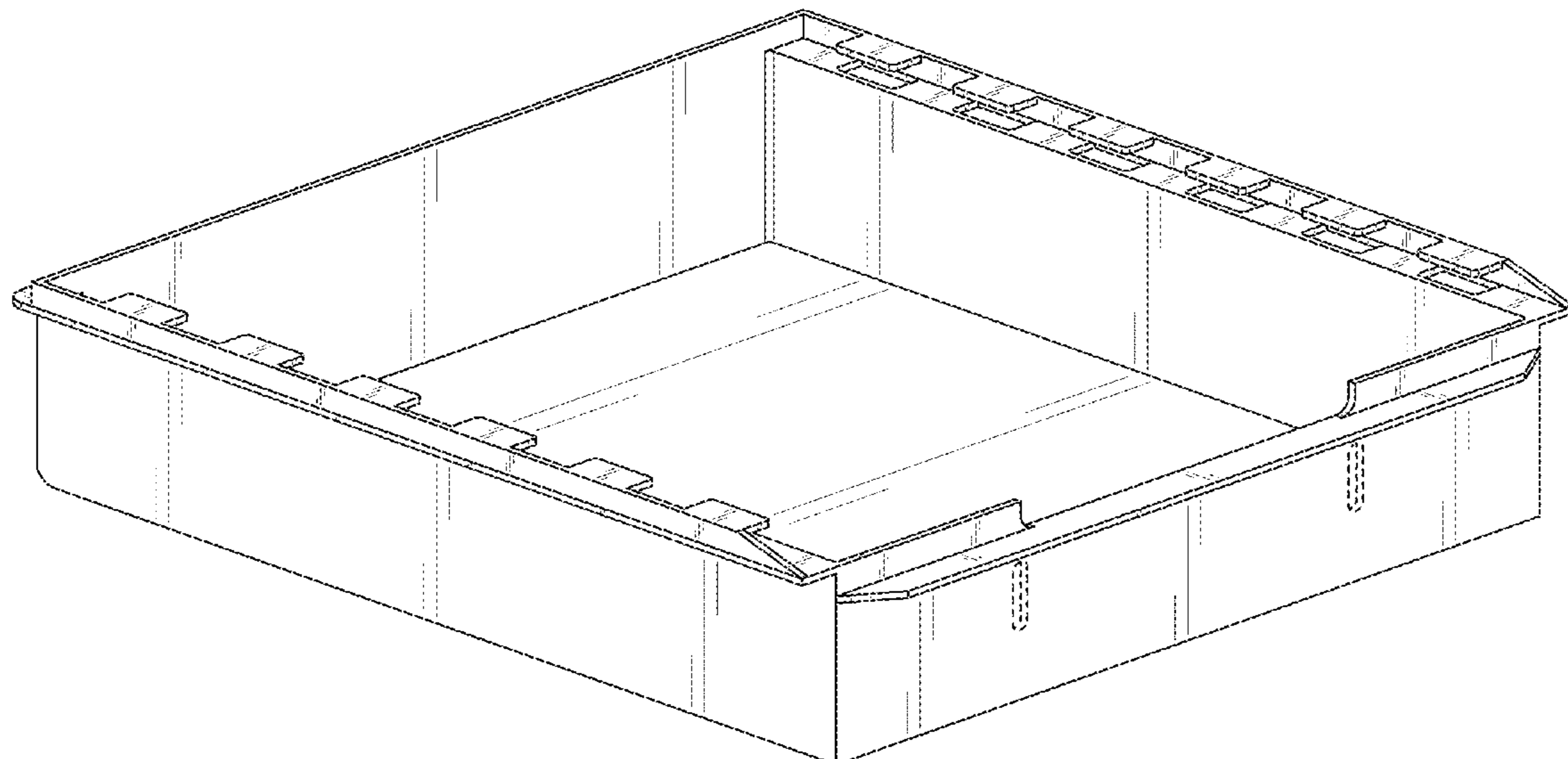
(56) **References Cited**

U.S. PATENT DOCUMENTS

1,632,172 A 9/1923 Clifford  
D172,371 S 2/1953 Tavolazzi  
2,952,028 A 9/1960 Robbins  
3,180,697 A 4/1965 Mulch  
3,851,938 A 12/1974 McCowan et al.  
4,123,128 A 10/1978 Abele

(Continued)

**1 Claim, 10 Drawing Sheets**



(56)

References Cited

U.S. PATENT DOCUMENTS

4,269,461 A 5/1981 Roach, Jr.  
 4,416,372 A 11/1983 Polk  
 D309,059 S \* 7/1990 Bledsoe ..... D12/425  
 D320,298 S \* 9/1991 Apps ..... D3/312  
 5,285,895 A \* 2/1994 Bolt ..... H05K 9/0067  
 206/454  
 5,328,049 A 7/1994 Ritzow  
 5,398,809 A 3/1995 Henke et al.  
 D372,580 S 8/1996 Chipman, Sr.  
 D374,555 S \* 10/1996 McMath ..... D3/272  
 5,996,794 A 12/1999 Popovich  
 6,062,415 A 5/2000 Harper  
 6,206,063 B1 3/2001 Lin  
 D505,788 S \* 6/2005 Sorrenti ..... D3/304  
 7,040,498 B2 5/2006 Rickman et al.  
 7,124,896 B2 \* 10/2006 Cellini ..... H05K 7/1425  
 211/26  
 D549,454 S \* 8/2007 Åhman ..... D3/304  
 D598,684 S \* 8/2009 Stahl ..... B65D 21/0233  
 D3/307  
 D657,561 S \* 4/2012 Roesler ..... D3/298  
 D657,562 S \* 4/2012 McNamara ..... D3/304  
 D767,340 S \* 9/2016 Lau ..... D7/554.3  
 D787,186 S \* 5/2017 Thurbin ..... D3/313  
 D880,861 S \* 4/2020 Hardy ..... D3/306  
 D882,263 S \* 4/2020 Lu ..... D3/298  
 D893,188 S \* 8/2020 Reiss ..... D3/304

2003/0226776 A1 12/2003 Stamm  
 2012/0325719 A1 \* 12/2012 Jian ..... B65D 19/0002  
 206/521  
 2016/0008972 A1 1/2016 Chen

OTHER PUBLICATIONS

Engine Tool Tray, unknown first available date, aircraftspruce.com [online], [site visited Apr. 7, 2021], Available at internet URL: <https://www.aircraftspruce.com/catalog/toppages/asi230-engtooltray.php> (Year: 2021).\*

TopSide Bolt-On Tool Tray, unknown first available date, traxionproducts.com [online], [site visited Apr. 7, 2021], Available at internet URL: <https://traxionproducts.com/products/topside-bolt-on-tool-tray> (Year: 2021).\*

11 Compartment Slide-Top Storage Box, unknown first available date, walmart.com [online], [site visited Apr. 7, 2021], Available at internet URL: <https://www.walmart.com/ip/11-Compartment-Slide-Top-Storage-Box-ToolUSA-TJ05-01511/554612403> (Year: 2021).\*

RTC SwitchBlade Trowel Set, first available Mar. 24, 2020, amazon.com [online], [site visited 4/77/21], Available at internet URL: <https://www.amazon.com/RTC-SwitchBlade-Trowel-Set/dp/B086BDB21S> (Year: 2020).\*

Hart Tile Trowel and Float Combo Kit; <http://www.todayshomeowner.com/video/hart-tile-trowel-and-float-combo-kit/> [May 19, 2016 5:20:05 PM]; Today's Homeowner; 7 pages.

Barwalt Ultralife™ Tile Trowel System Kit; <https://www.tiletools.com/product/barwalt-ultralife-tile-trowel-system/>; last visited May 27, 2020. 6 pages.

\* cited by examiner

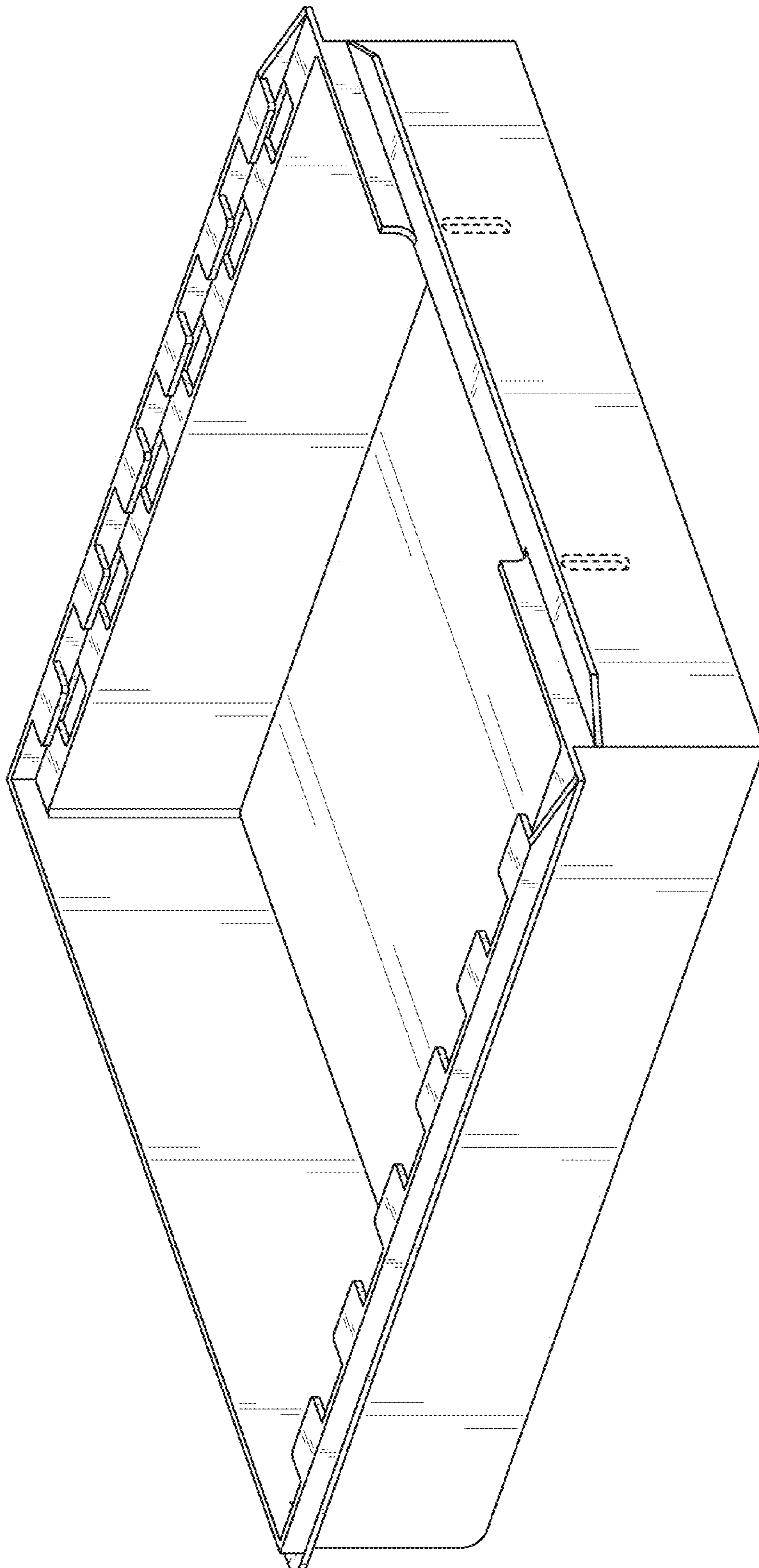


FIG. 1

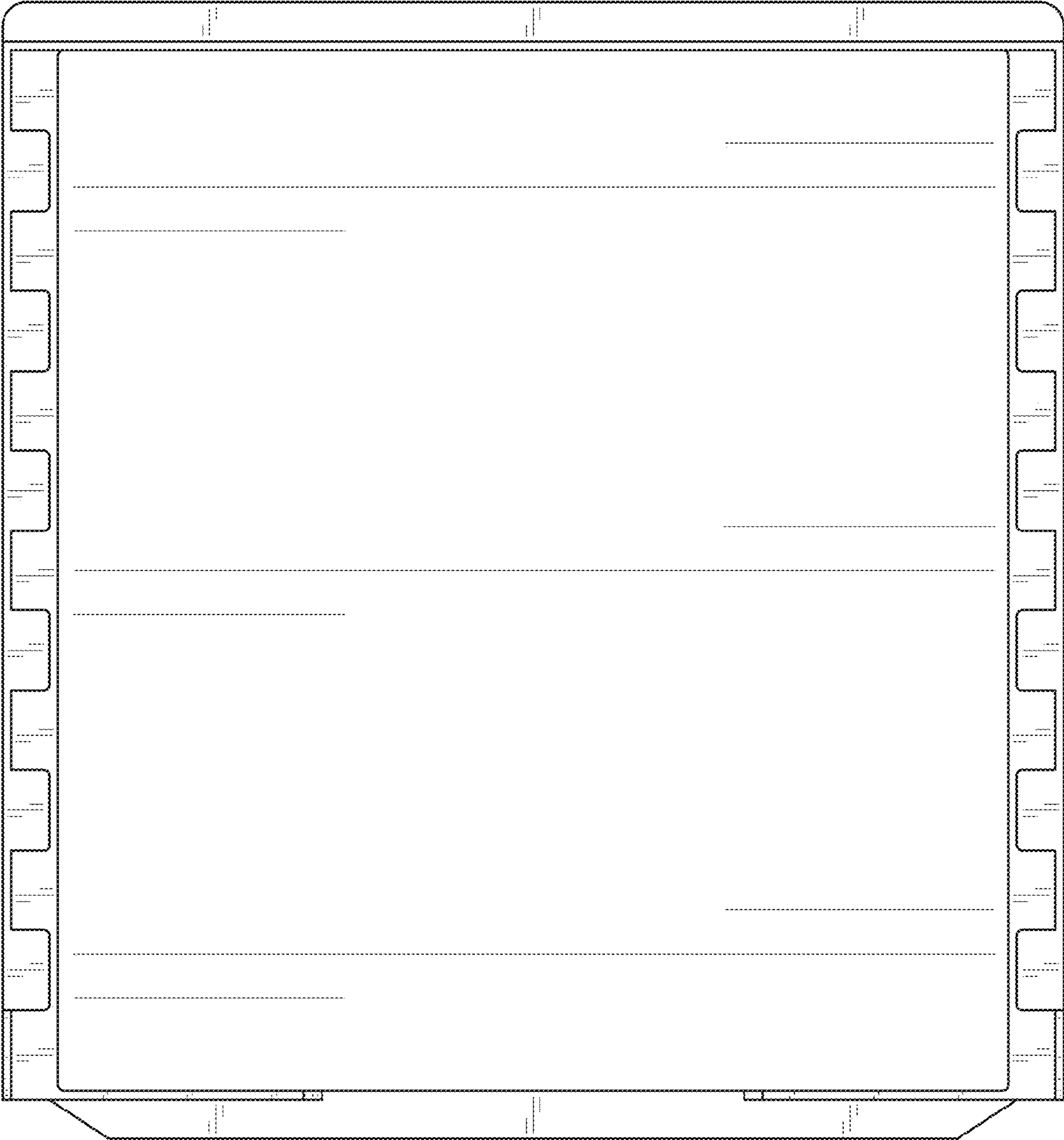


FIG. 2

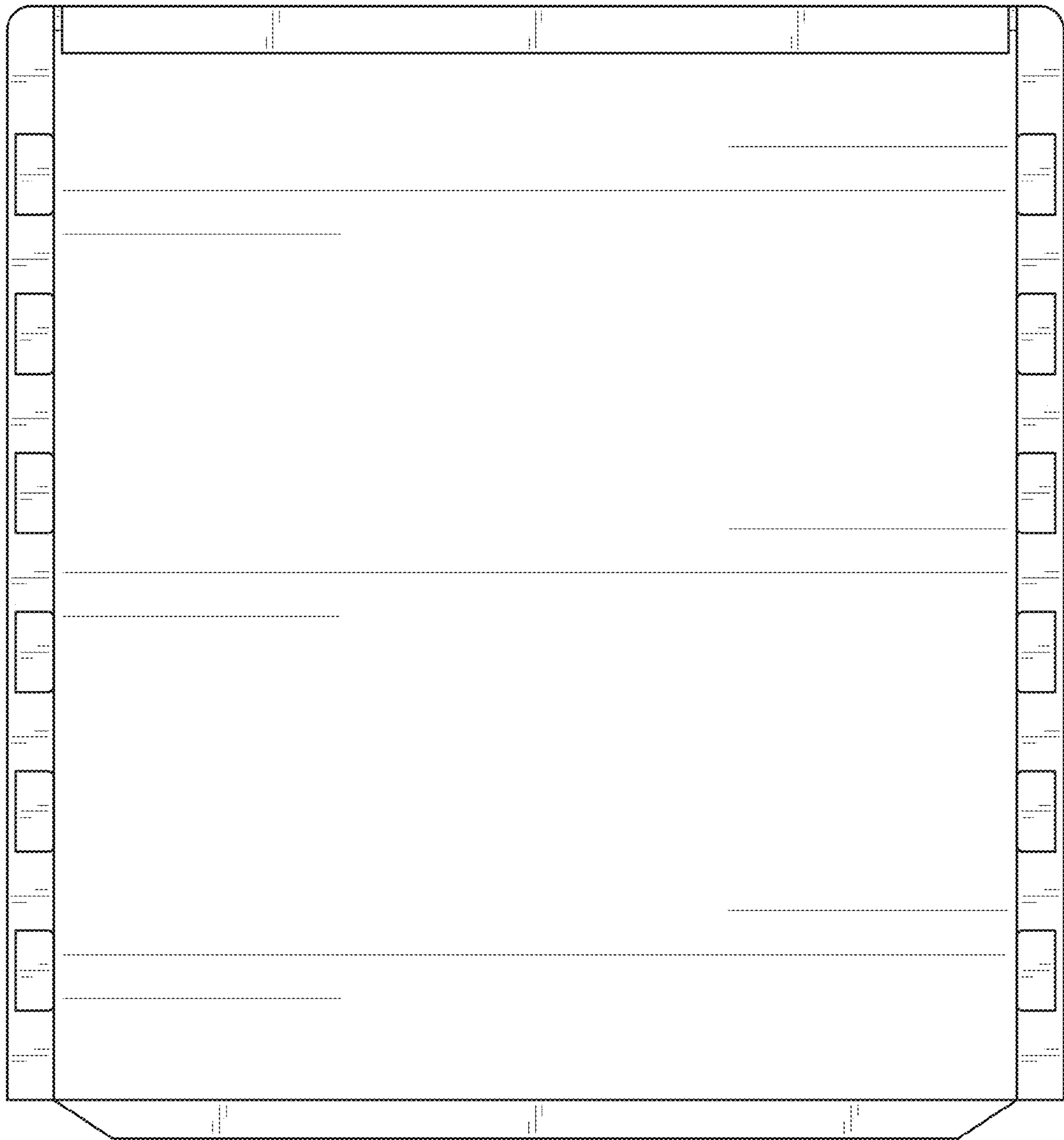


FIG. 3

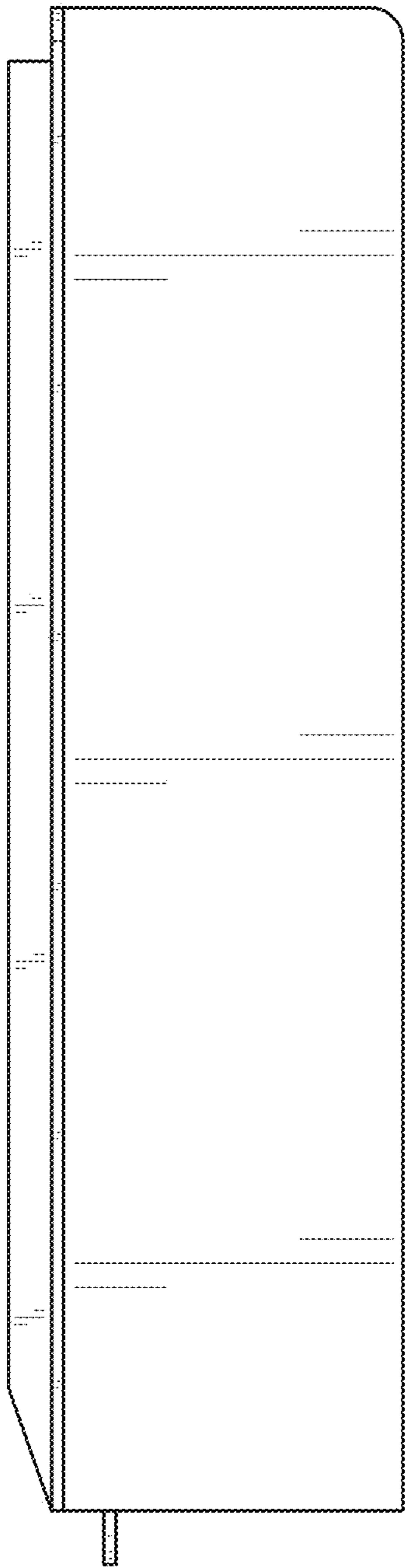


FIG. 4

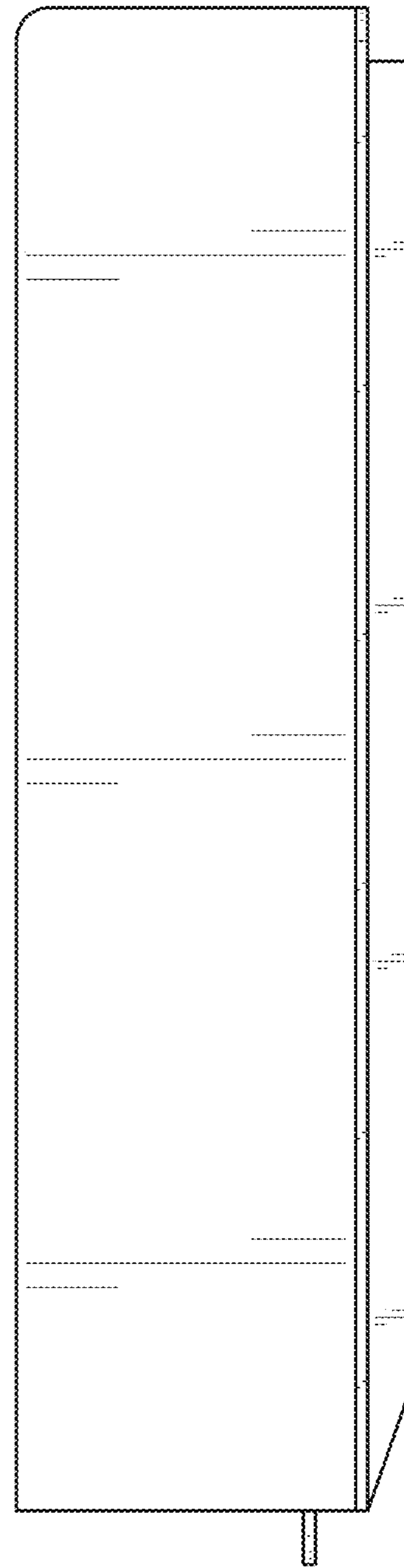


FIG. 5

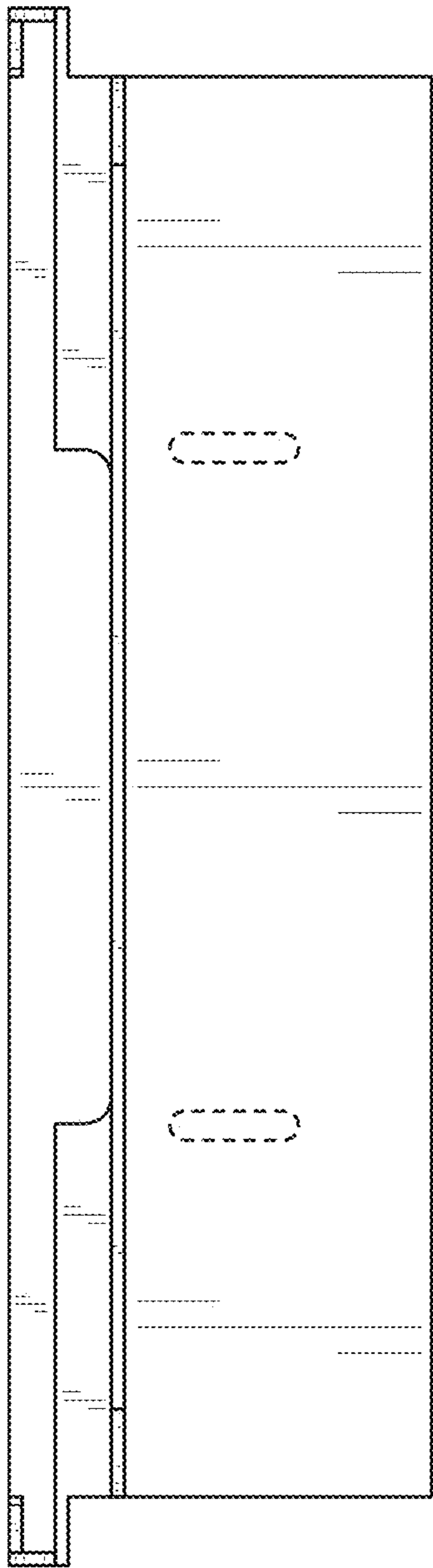


FIG. 6

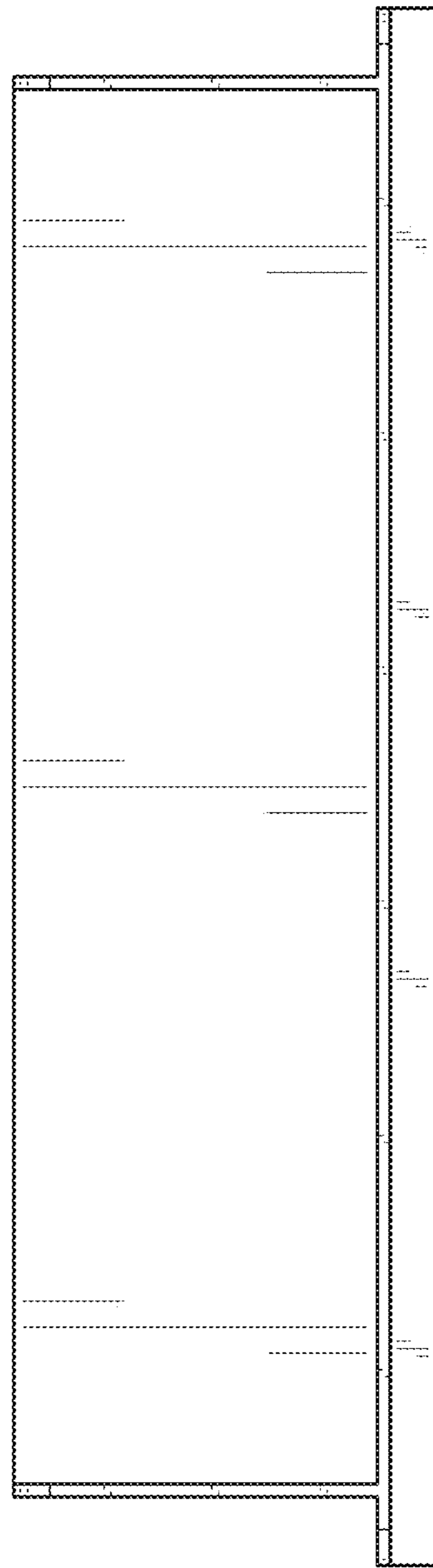


FIG. 7

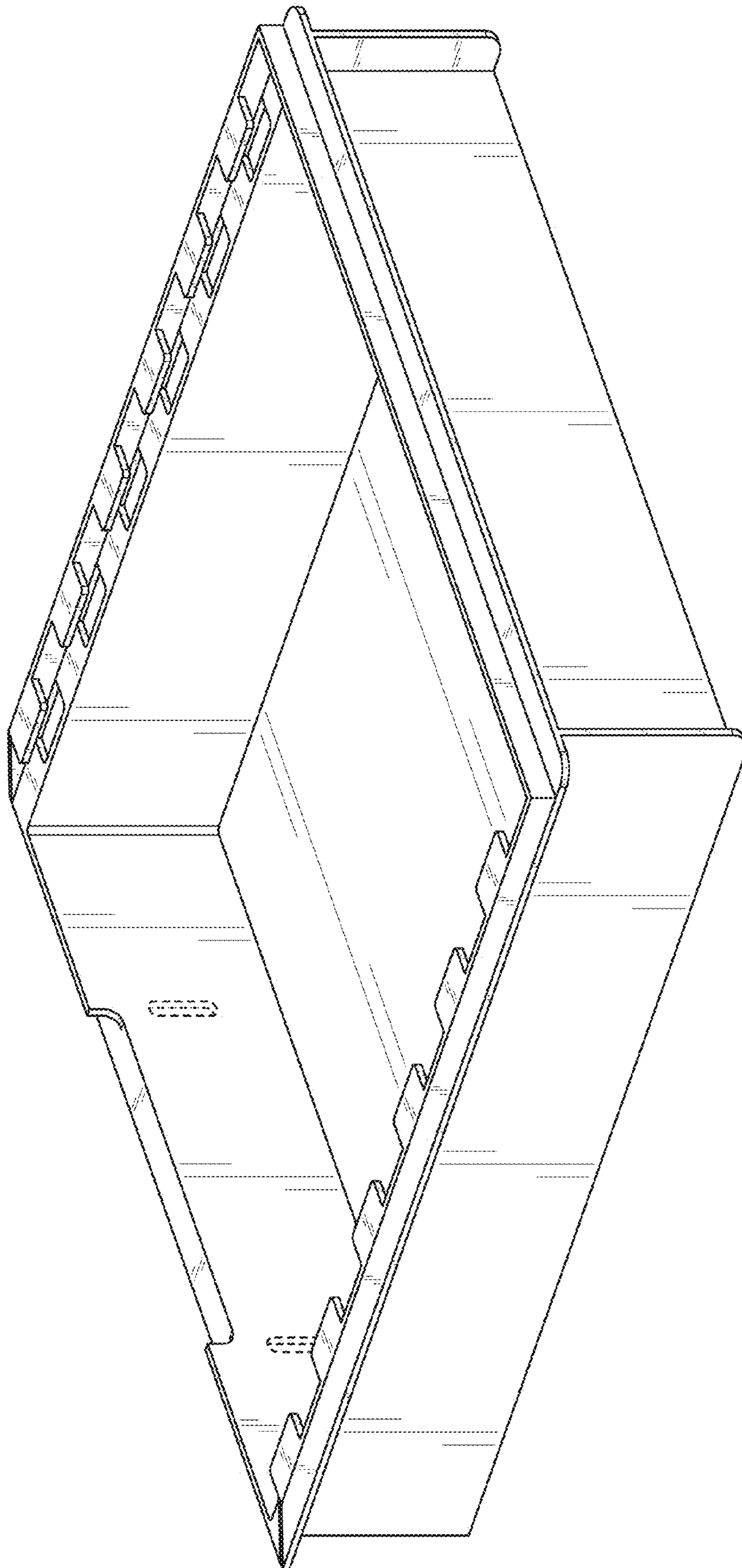


FIG. 8



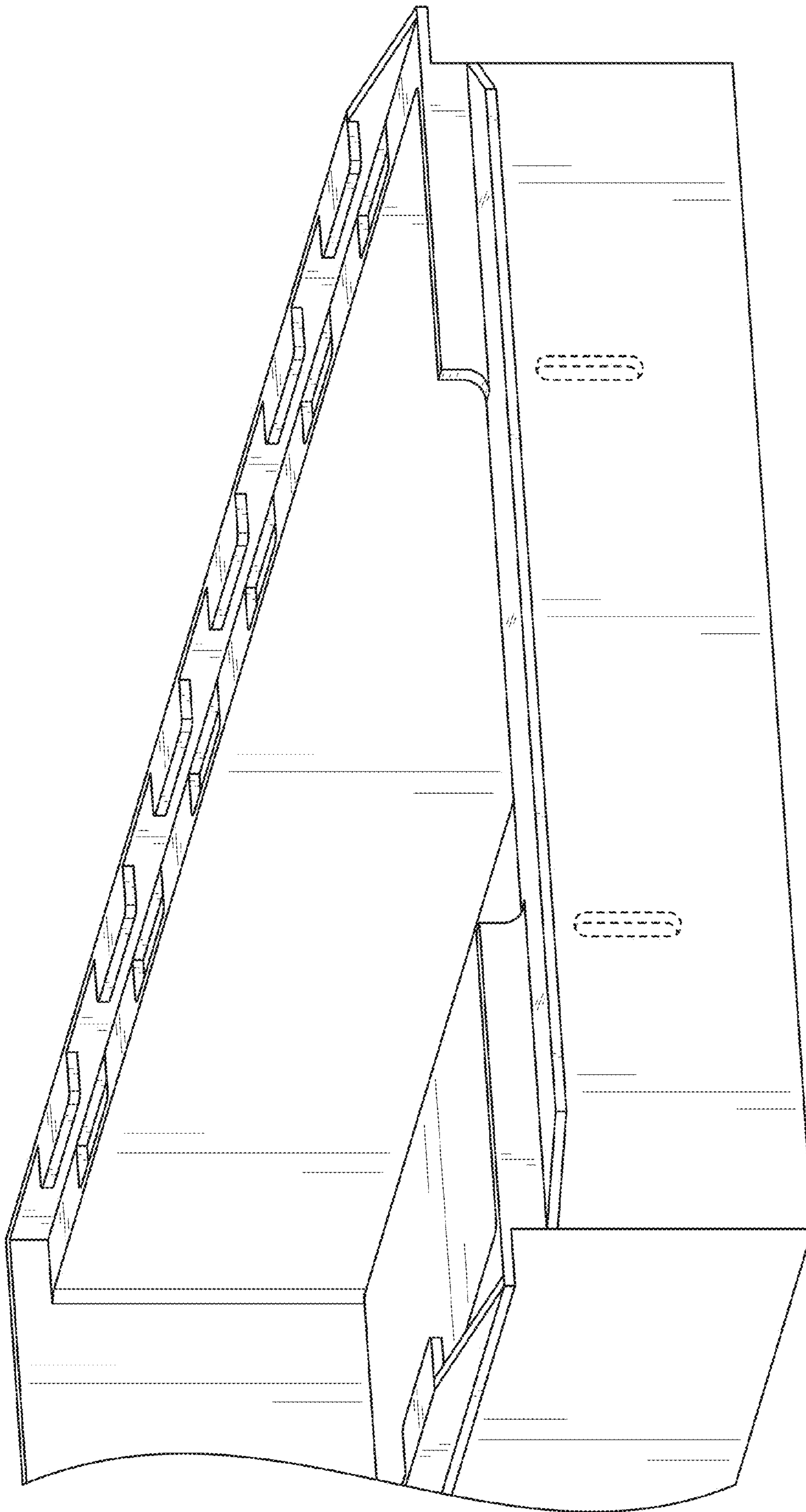


FIG. 9

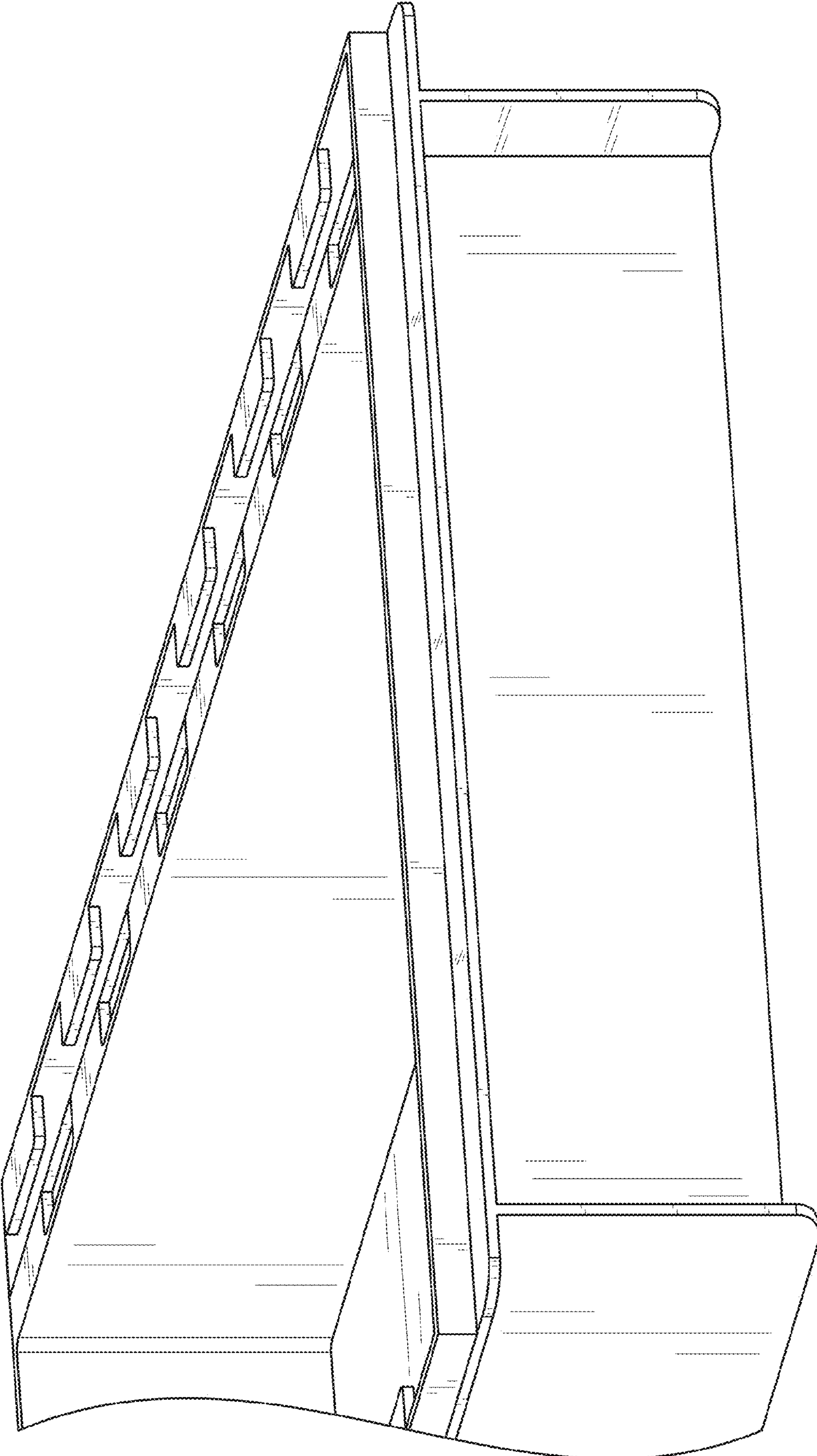


FIG. 10

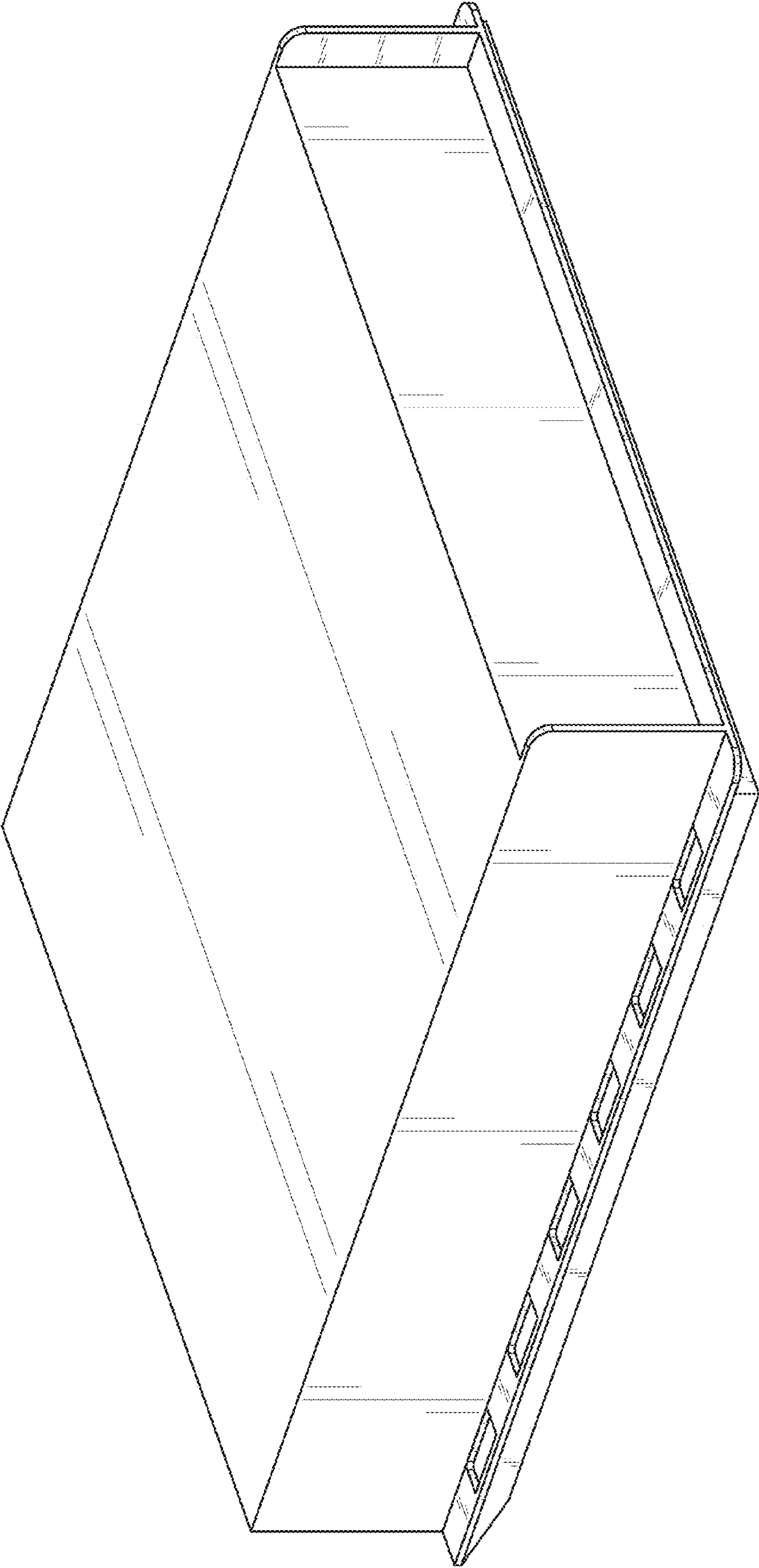


FIG. 11

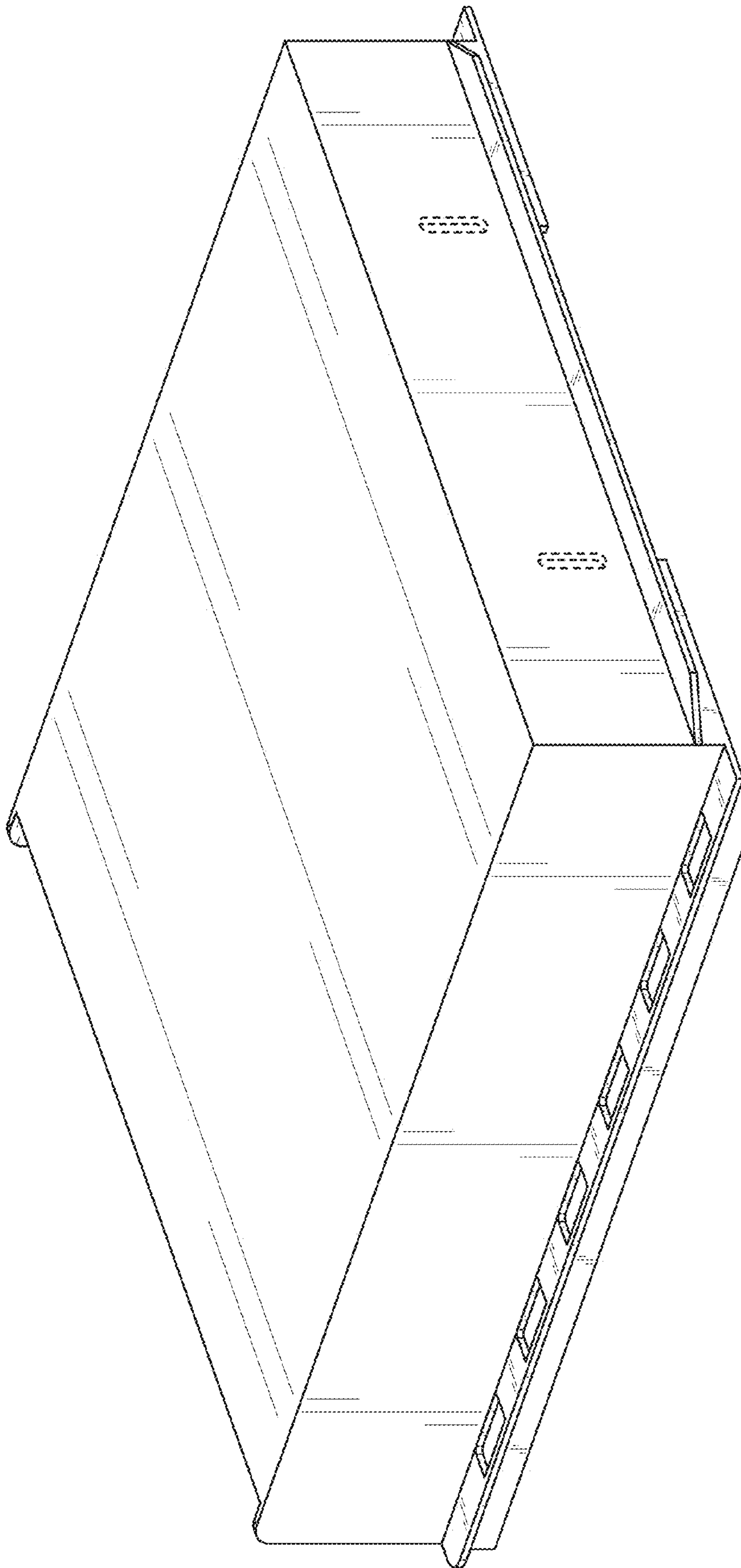


FIG. 12