



US00D927850S

(12) **United States Design Patent**
May et al.

(10) **Patent No.:** **US D927,850 S**

(45) **Date of Patent:** **** Aug. 17, 2021**

(54) **TRAVEL CASE**

(71) Applicant: **Quip NYC Inc.**, Brooklyn, NY (US)

(72) Inventors: **William Thomas May**, Summit, NJ (US); **Simon Enever**, New York, NY (US); **Jon Fratti**, Brooklyn, NY (US); **Grayson Hild**, Brooklyn, NY (US); **Paul Koh**, Brooklyn, NY (US)

(73) Assignee: **Quip NYC Inc.**, Brooklyn, NY (US)

(**) Term: **15 Years**

(21) Appl. No.: **29/711,898**

(22) Filed: **Nov. 4, 2019**

(51) **LOC (13) Cl.** **03-01**

(52) **U.S. Cl.**
USPC **D3/293; D3/301**

(58) **Field of Classification Search**
USPC D3/203.1–203.3, 203.6, 205–206, 226,
D3/228, 273–274, 276, 281–291,
(Continued)

(56) **References Cited**

U.S. PATENT DOCUMENTS

D353,748 S * 12/1994 Ferris D3/276
5,375,734 A * 12/1994 Tiramani A45C 13/04
206/581

(Continued)

FOREIGN PATENT DOCUMENTS

CN 302014354 * 8/2012

OTHER PUBLICATIONS

Benefit Gorgeous Makeup Bag, unknown first available date, pbteen.com [online], [site visited Jan. 27, 2021], Available at internet URL: <https://www.pbteen.com/products/benefit-gorgeous-makeup-bag/> (Year: 2021).*

(Continued)

Primary Examiner — April Rivas

Assistant Examiner — Caitlin A Lavery

(74) *Attorney, Agent, or Firm* — The Marbury Law Group, PLLC

(57) **CLAIM**

The ornamental design for a travel case, as shown and described.

DESCRIPTION

FIG. 1 is a perspective view of a travel case in an open position;

FIG. 2 is another perspective view of the travel case in the open position;

FIG. 3 is a front view of the travel case in the open position;

FIG. 4 is a back view of the travel case in the open position;

FIG. 5 is a left side view of the travel case in the open position;

FIG. 6 is a right side view of the travel case in the open position;

FIG. 7 is a top side view of the travel case in the open position;

FIG. 8 is a bottom side view of the travel case in the open position;

FIG. 9 is a perspective view of the travel case in a closed position;

FIG. 10 is another perspective view of the travel case in the closed position;

FIG. 11 is a front view of the travel case in the closed position;

FIG. 12 is a back view of the travel case in the closed position;

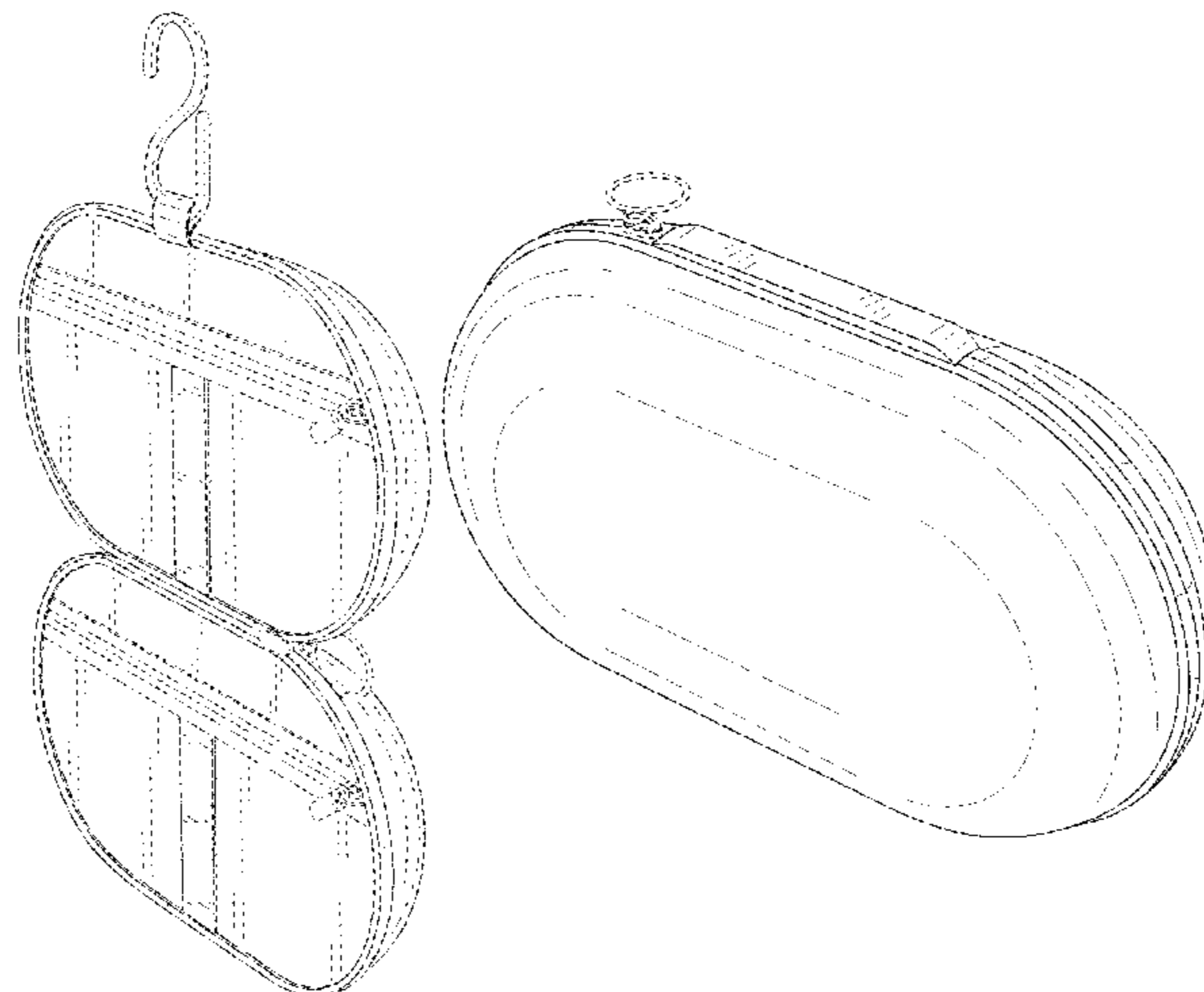
FIG. 13 is a left side view of the travel case in the closed position;

FIG. 14 is a right side view of the travel case in the closed position;

FIG. 15 is a top side view of the travel case in the closed position; and,

FIG. 16 is a bottom side view of the travel case in the closed position.

(Continued)



The broken lines shown in the drawings illustrate zippers and zipper pulls and form no part of the claimed design.

1 Claim, 13 Drawing Sheets

(58) **Field of Classification Search**

USPC D3/293-304, 313, 901, 903, 905;
 D28/73, 76
 CPC B01L 3/0585; B01L 9/06; B65D 1/00;
 B65D 1/34; B65D 1/36; B65D 85/00;
 A45D 44/18; A61B 50/33; A61B 50/34;
 A45C 3/00; A45C 3/004; A45C 5/00;
 A45C 5/04; A45C 5/14; A45C 5/005;
 A45C 7/0095; A45C 9/00; A45C 11/00;
 A45C 11/008; A45C 11/16; A45C 11/26;
 A45C 13/02; A45C 15/04; A45C
 2003/008; A45C 2011/007; A45F 3/04;
 A45F 3/047; A45F 3/10; A45F 3/14;
 A45F 4/02; A45F 4/08; A45F 2200/05;
 A45F 2200/0525; B25H 3/00; B25H
 3/02; B25H 3/003; B25H 3/006; B25H
 3/023; B25H 3/028

See application file for complete search history.

(56) **References Cited**

U.S. PATENT DOCUMENTS

D397,551 S * 9/1998 Shefler D3/263
 5,921,383 A * 7/1999 Shefler A45C 11/04
 206/38
 D462,512 S * 9/2002 Wolf D3/205
 D548,970 S * 8/2007 Huang D3/294
 D592,494 S * 5/2009 Wichowski D9/414
 D641,547 S * 7/2011 Coleman D3/203.3

D657,210 S * 4/2012 Smiedt D7/709
 D774,254 S * 12/2016 Hess D28/83
 D796,919 S * 9/2017 Janowitz D7/703
 D853,108 S * 7/2019 Zaihui D3/218
 D869,163 S * 12/2019 Maguire D3/301
 D904,760 S * 12/2020 Hyun D3/273
 D905,962 S * 12/2020 Kiefiuk D3/294
 D908,084 S * 1/2021 He D13/108
 10,893,730 B2 * 1/2021 Adler A45C 7/0095
 D918,573 S * 5/2021 Qiao D3/206
 D919,958 S * 5/2021 Peng D3/206
 2005/0011793 A1 * 1/2005 Sapyta A45C 13/02
 206/459.5
 2006/0260046 A1 * 11/2006 Landay A47G 9/086
 5/413 R

OTHER PUBLICATIONS

Oval Shape Travel Carrying Case., first available Aug. 12, 2019, amazon.com [online], [site visited Jan. 27, 2021], Available at internet URL: <https://www.amazon.com/Travel-Carrying-Organizer-Earphones-Earbuds/dp/B07V3ZY56R?th=1> (Year: 2019).*

Earbud Travel Case . . . , first available May 28, 2018, amazon.com [online], [site visited Jan. 27, 2021], Available at internet URL: <https://www.amazon.com/Earbud-Electronics-Earbuds-Hearing-Cables/dp/B01MSSLW1H> (Year: 2018).*

INNOLIFE Zipper Shell Sunglasses Glasses Case . . . , first available Nov. 5, 2017, amazon.com [online], [site visited Jan. 27, 2021], Internet URL exceeds character limit of PTO-892; see written Office Action (Year: 2017).*

Quip facebook page photos, Posted Nov. 19, 2019 [online], [site visited Jan. 27, 2021], Available at internet URL: <https://www.facebook.com/getquip/photos/a.846840455358241/3229463213762608/?type=3&theater> and <https://www.facebook.com/getquip/photos/a.846840455358241/3229391663769763/?type=3&theater> (Year: 2019).*

* cited by examiner

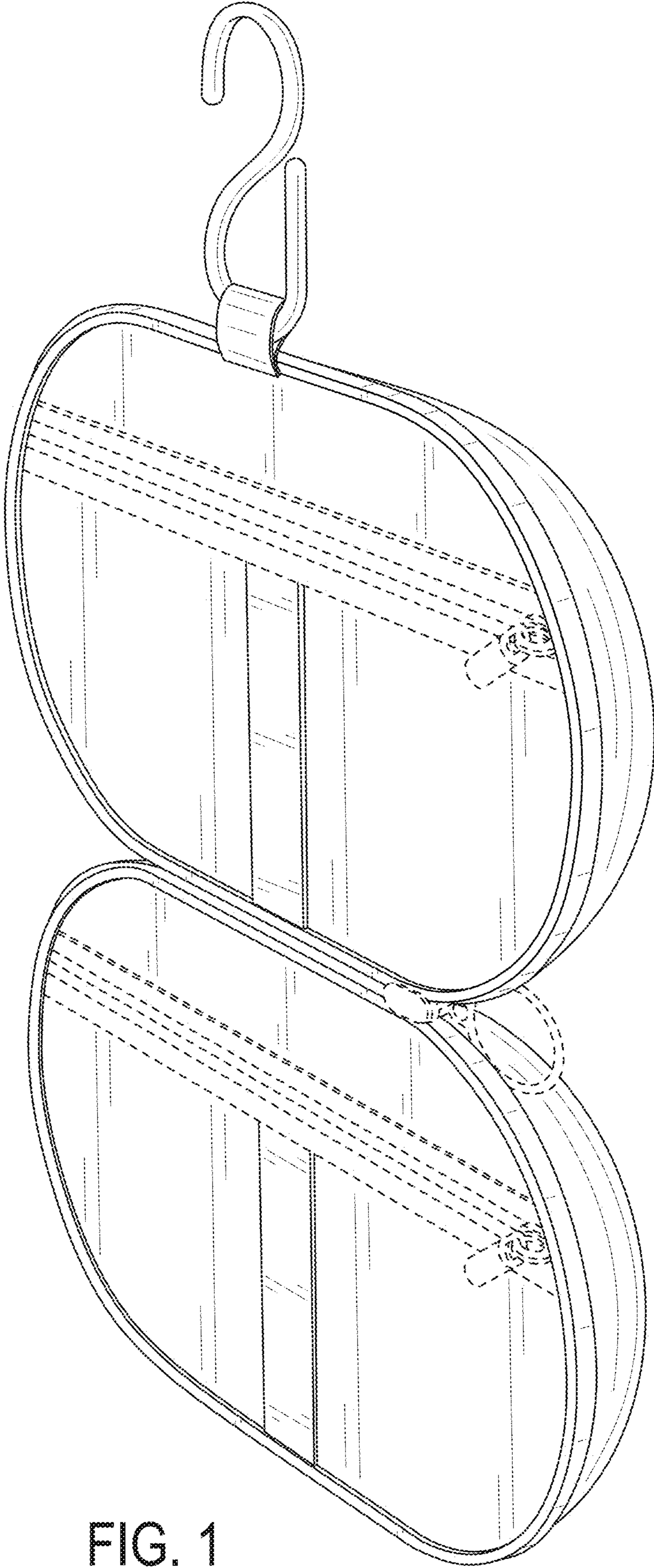


FIG. 1

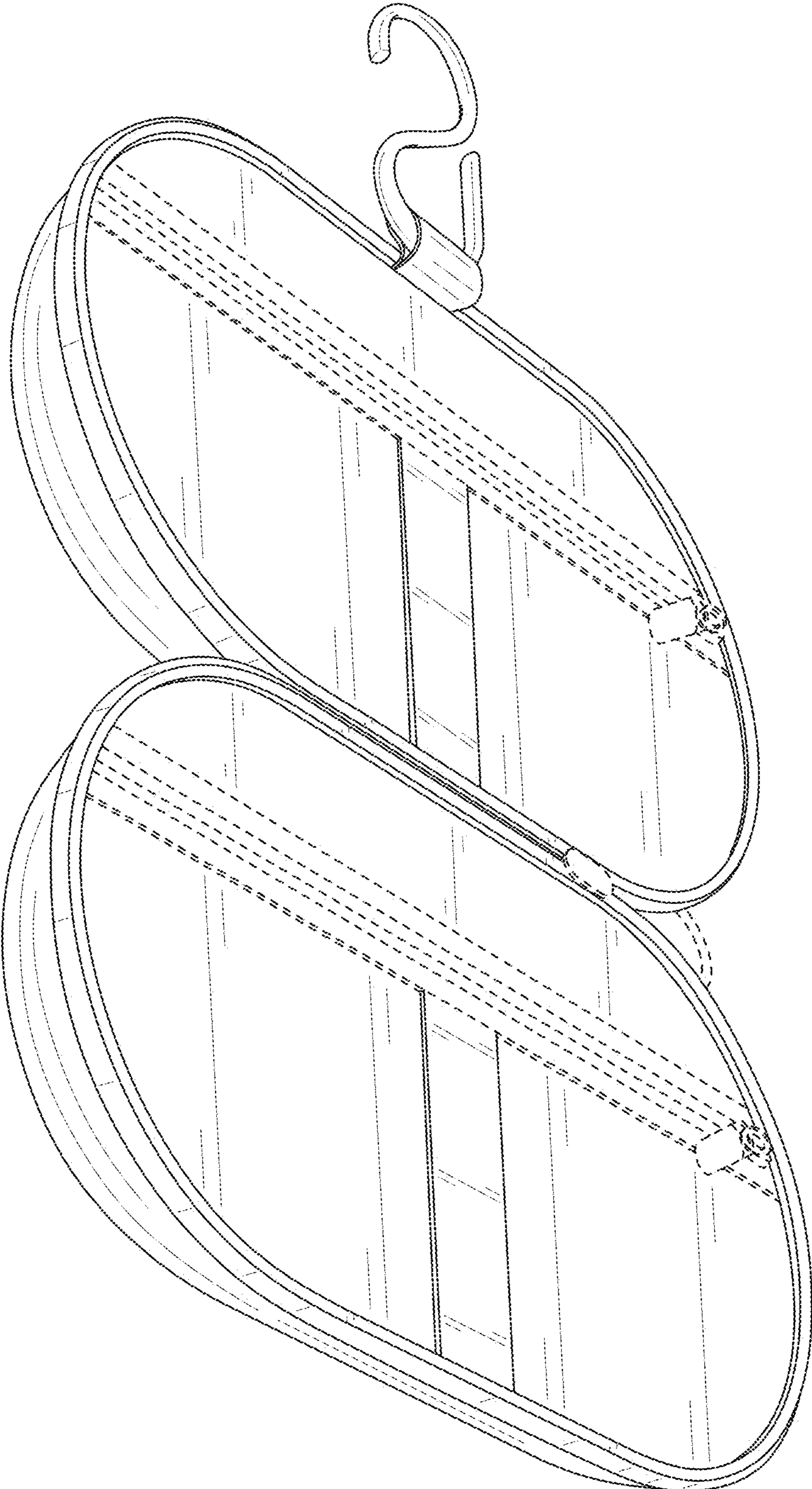


FIG. 2

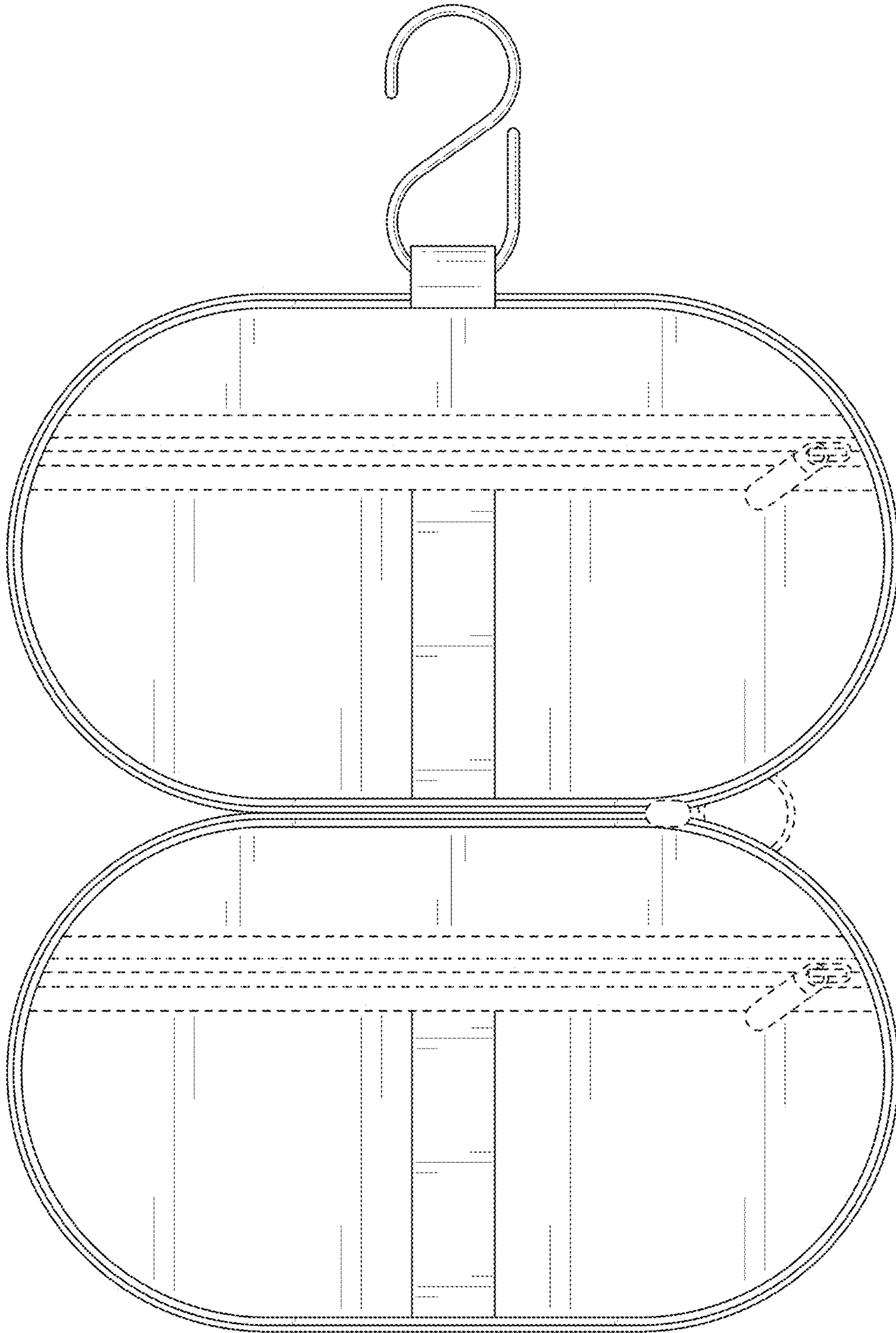


FIG. 3

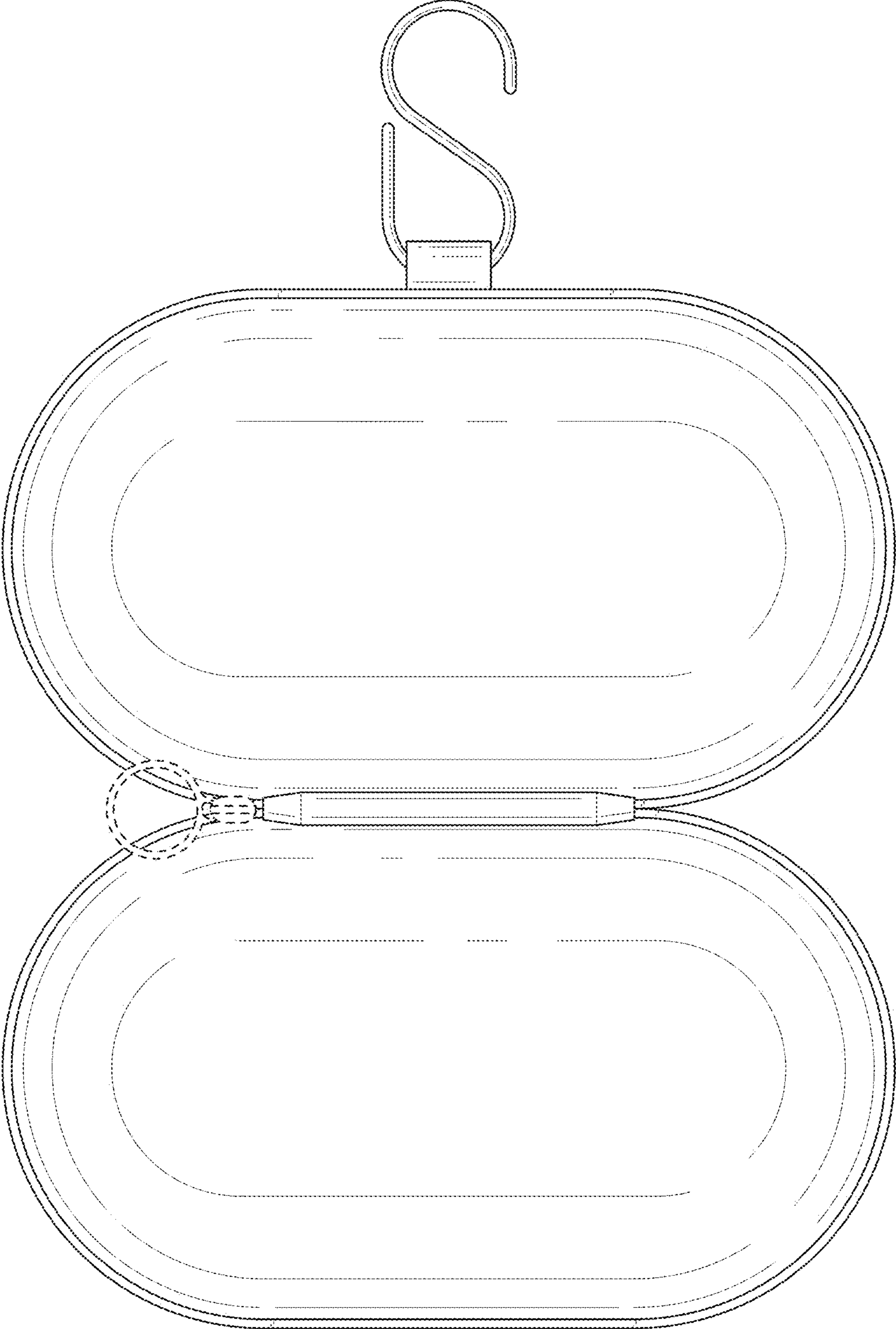


FIG. 4

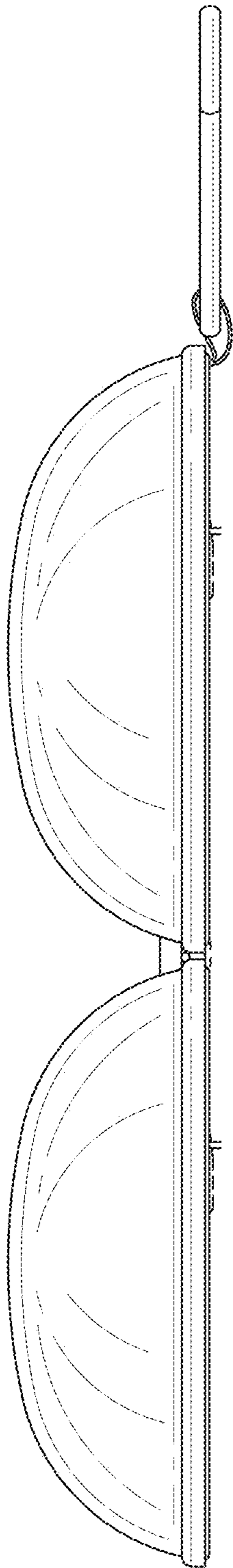


FIG. 5

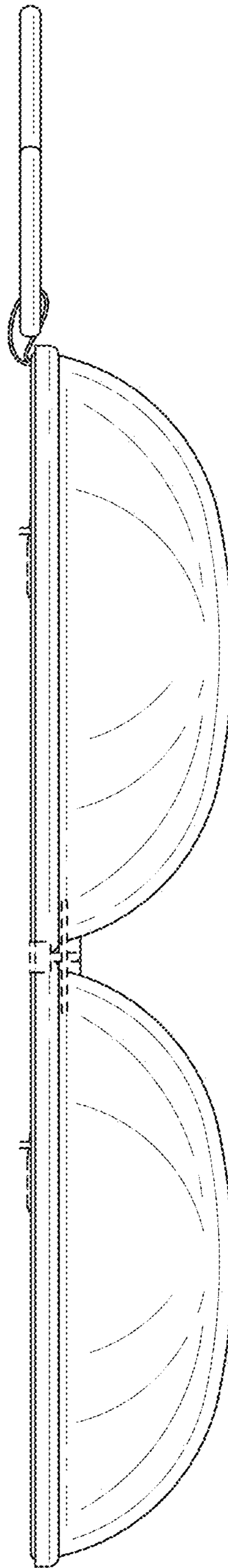


FIG. 6

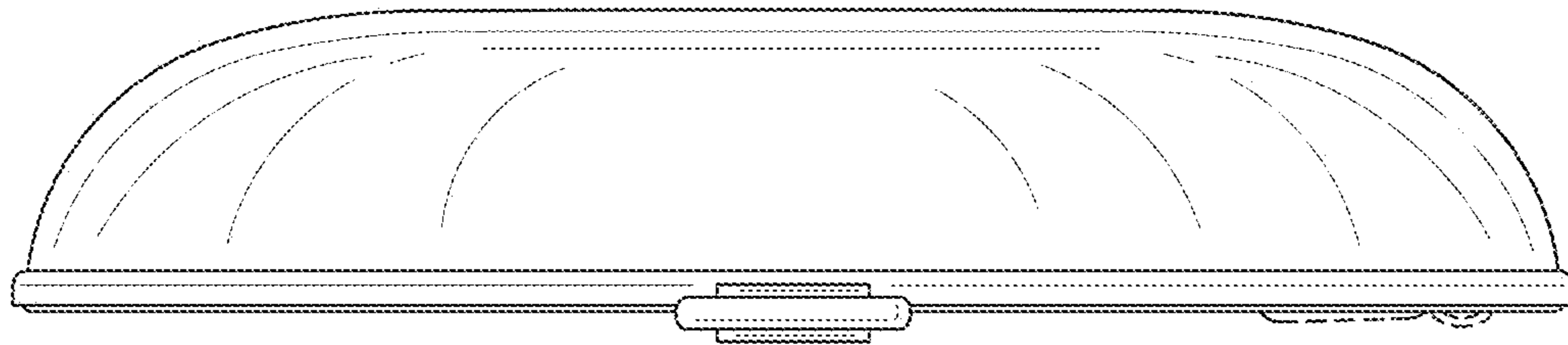


FIG. 7

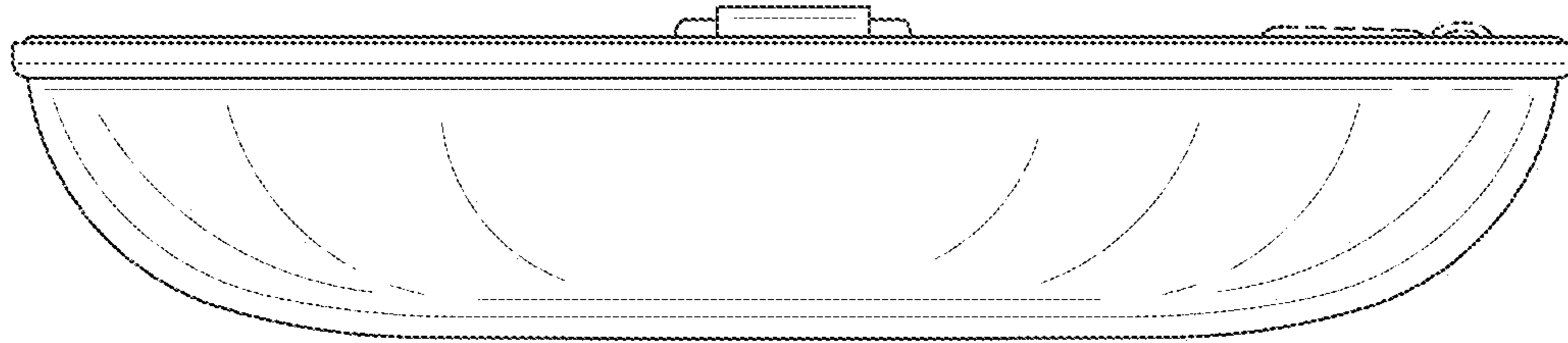


FIG. 8

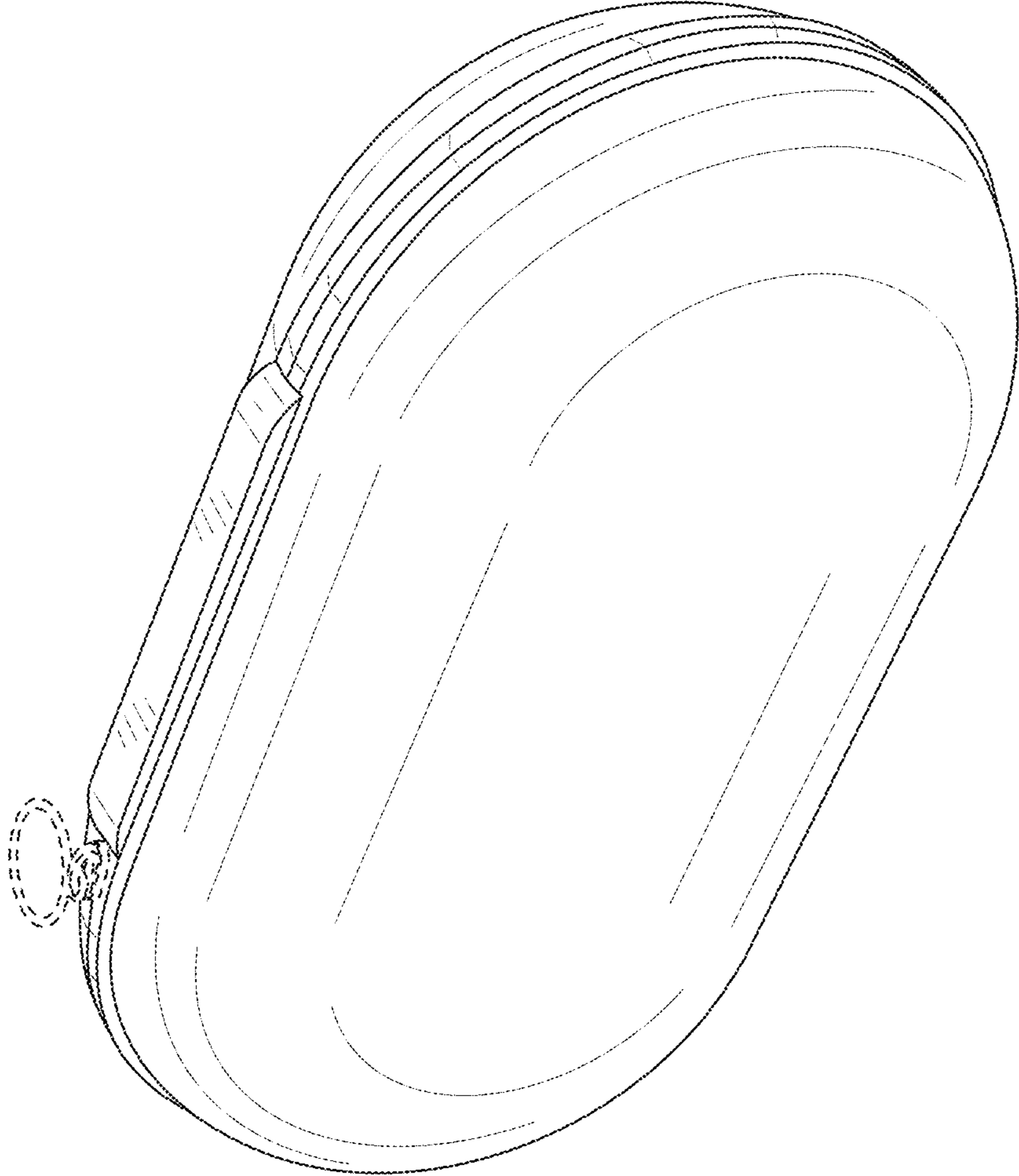


FIG. 9

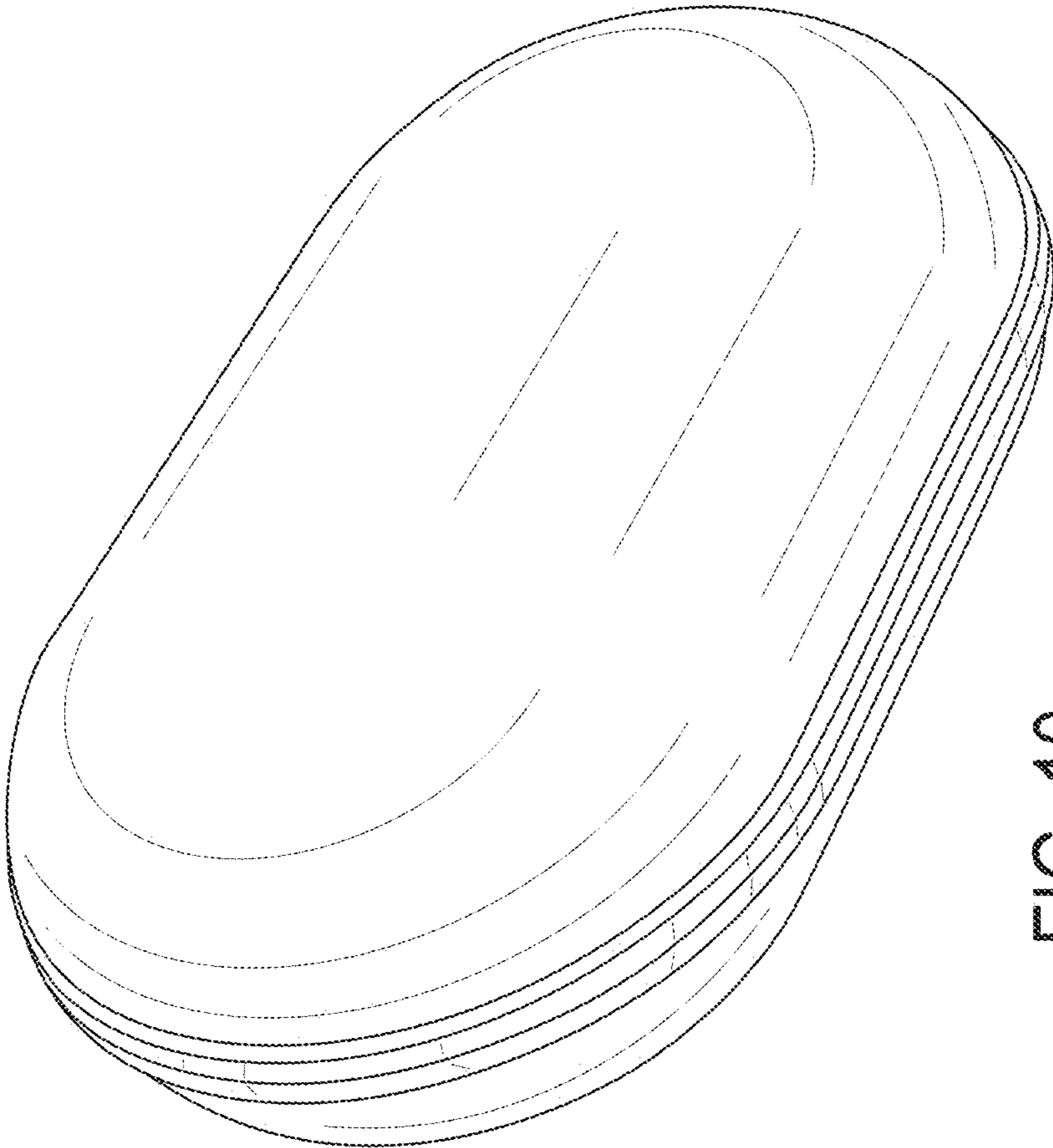


FIG. 10

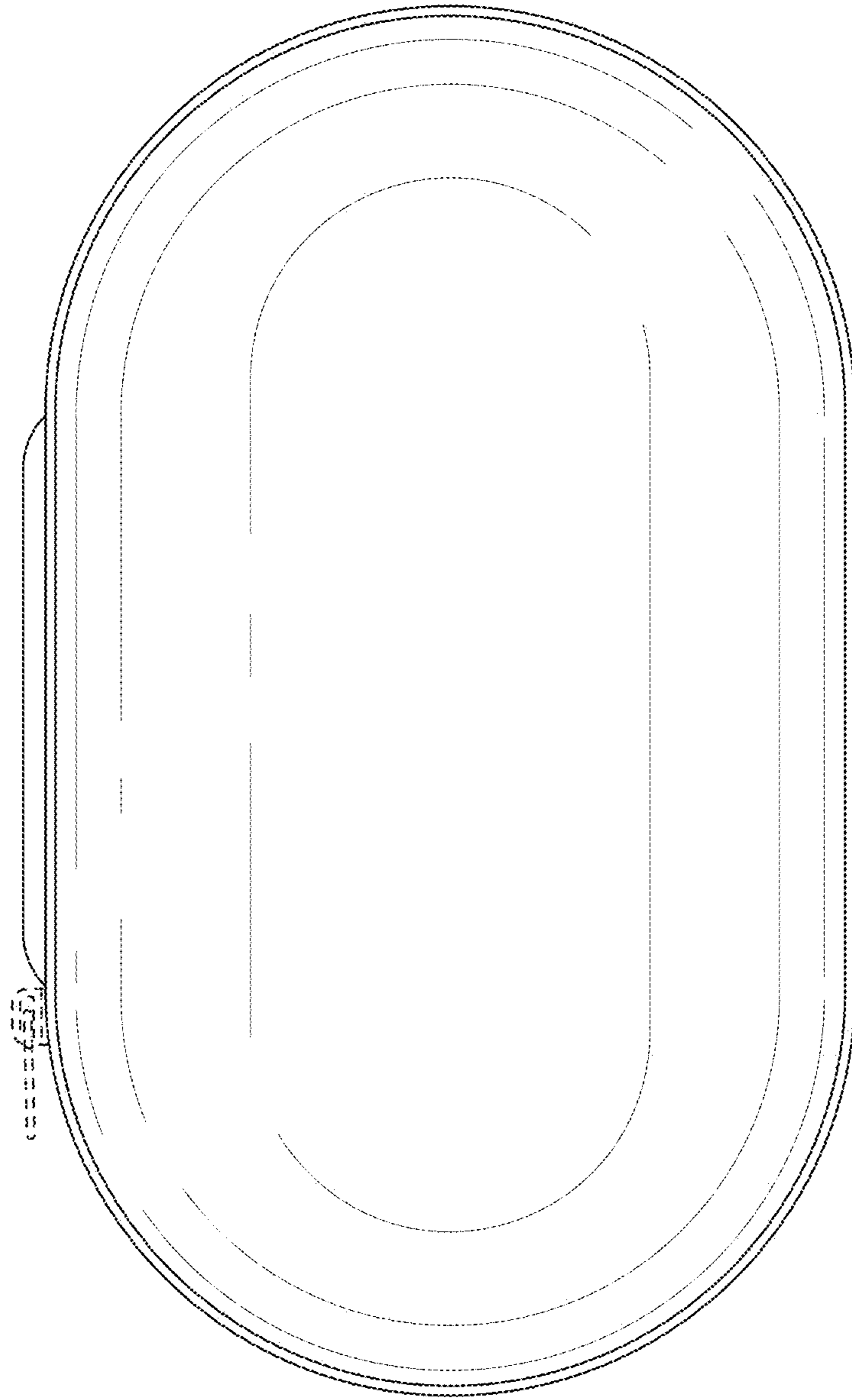


FIG. 11

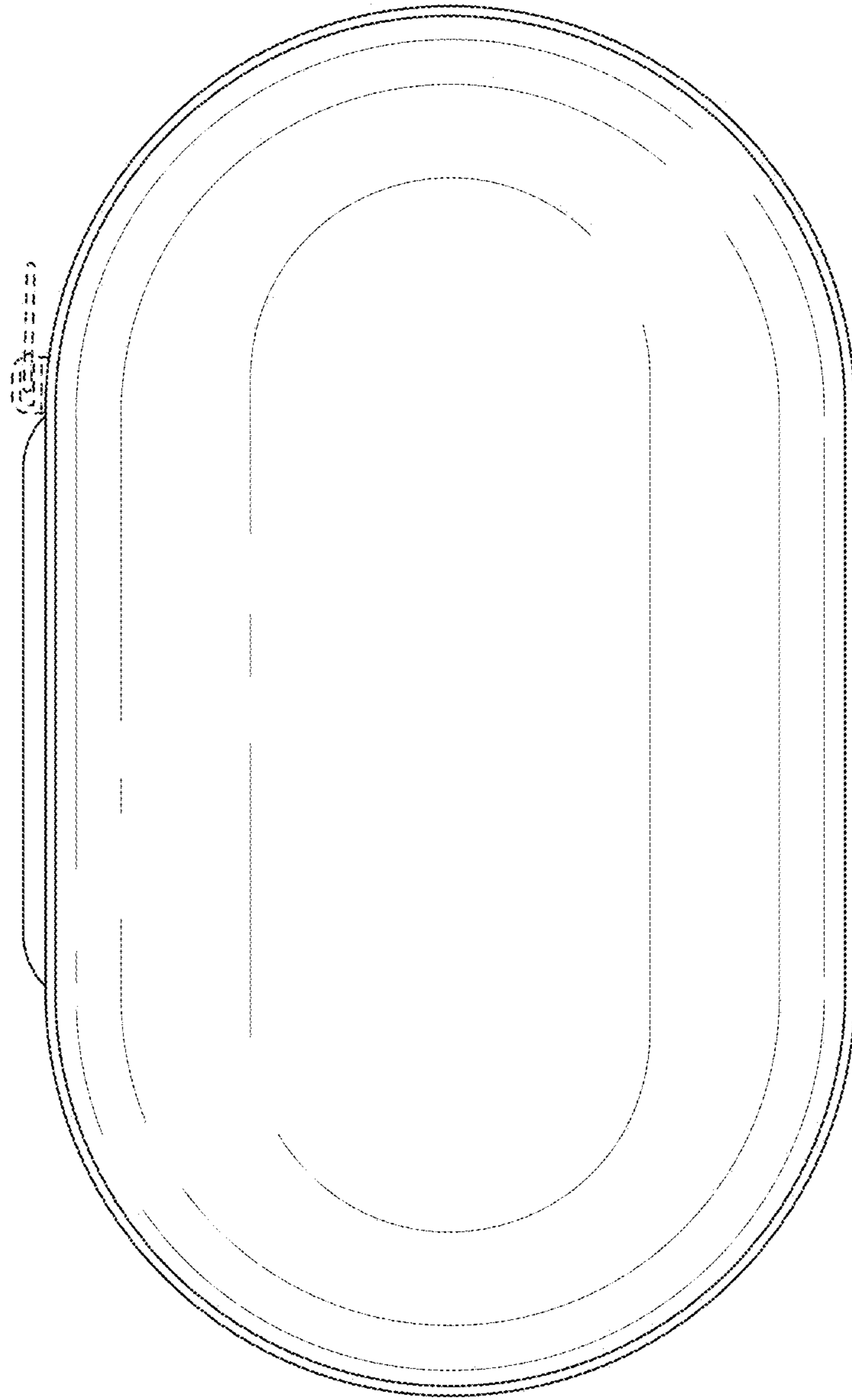


FIG. 12

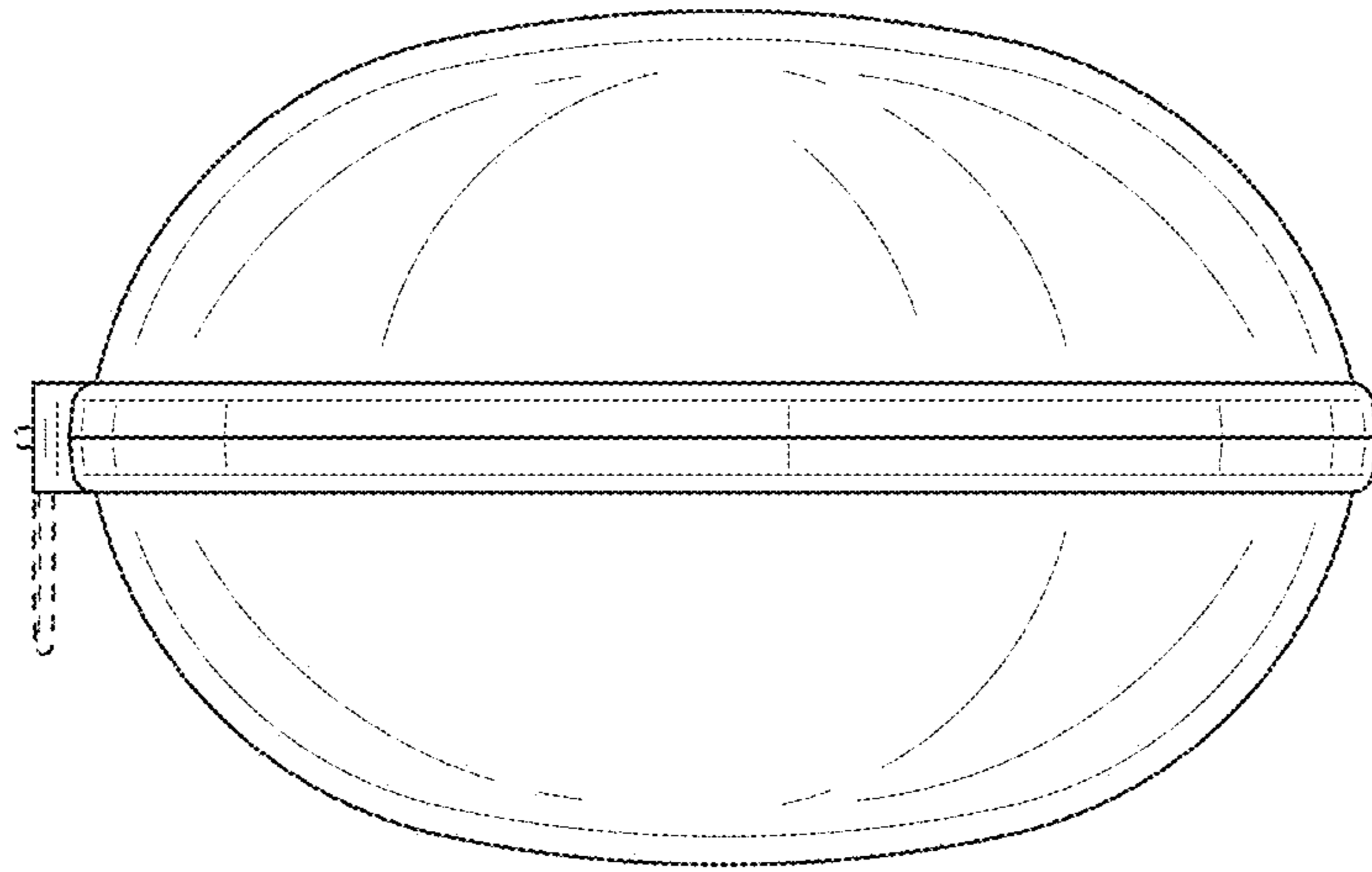


FIG. 14

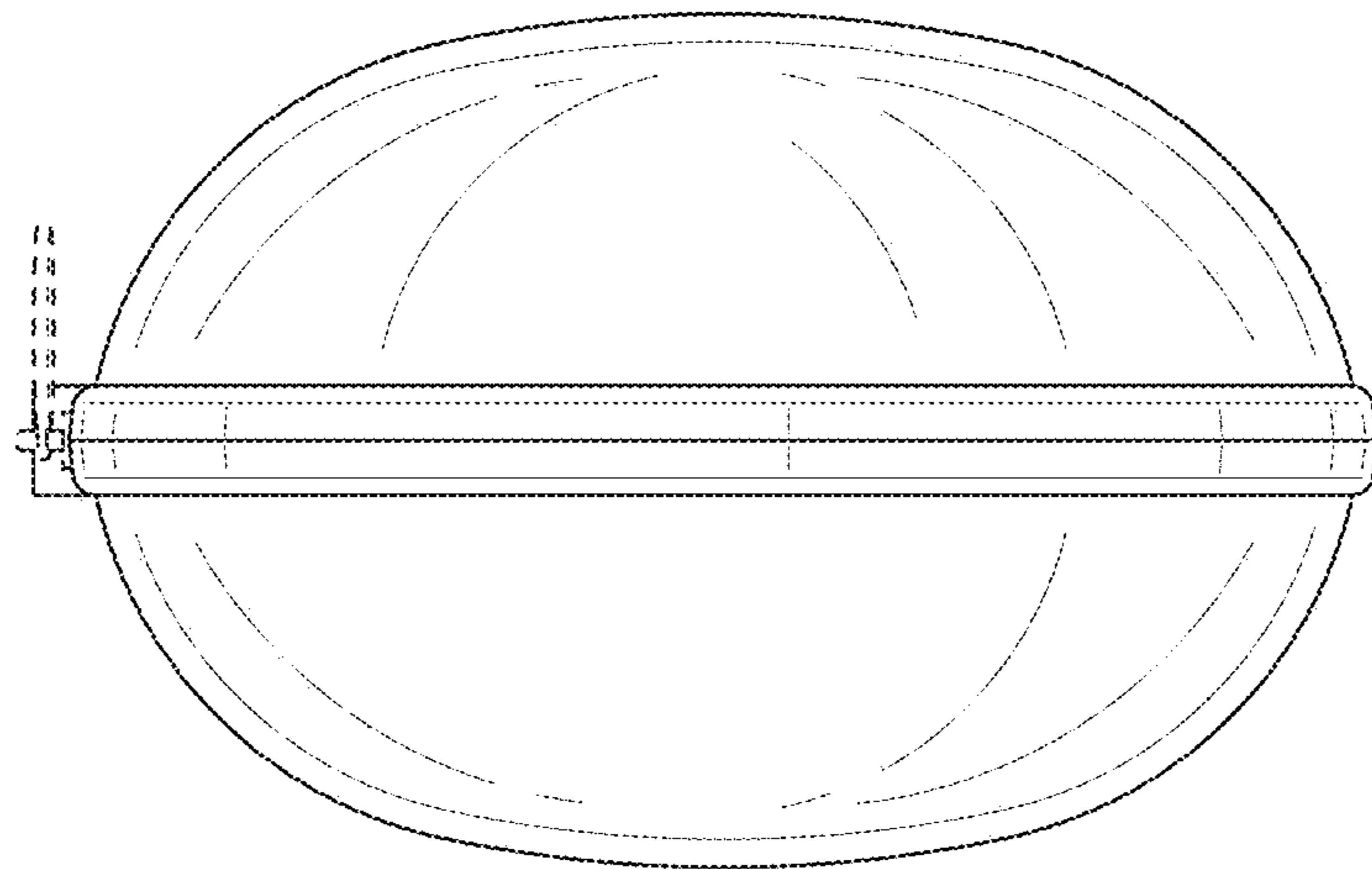


FIG. 13

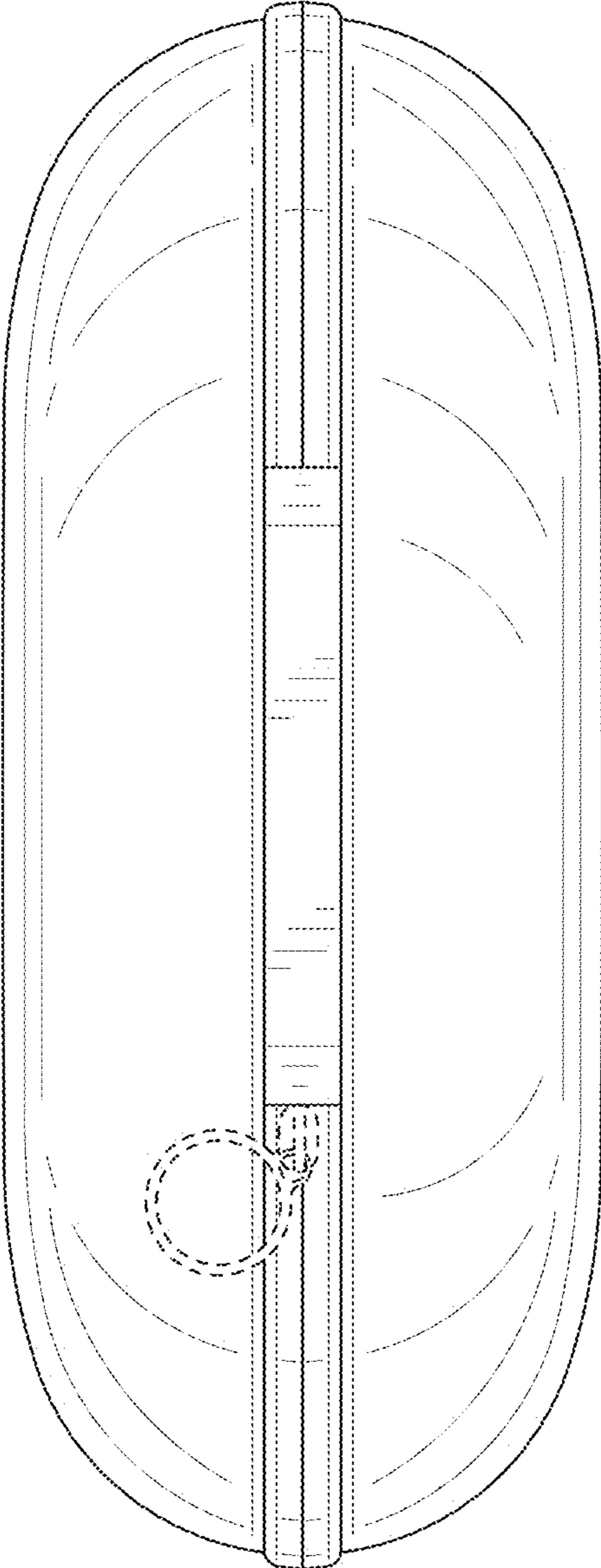


FIG. 15

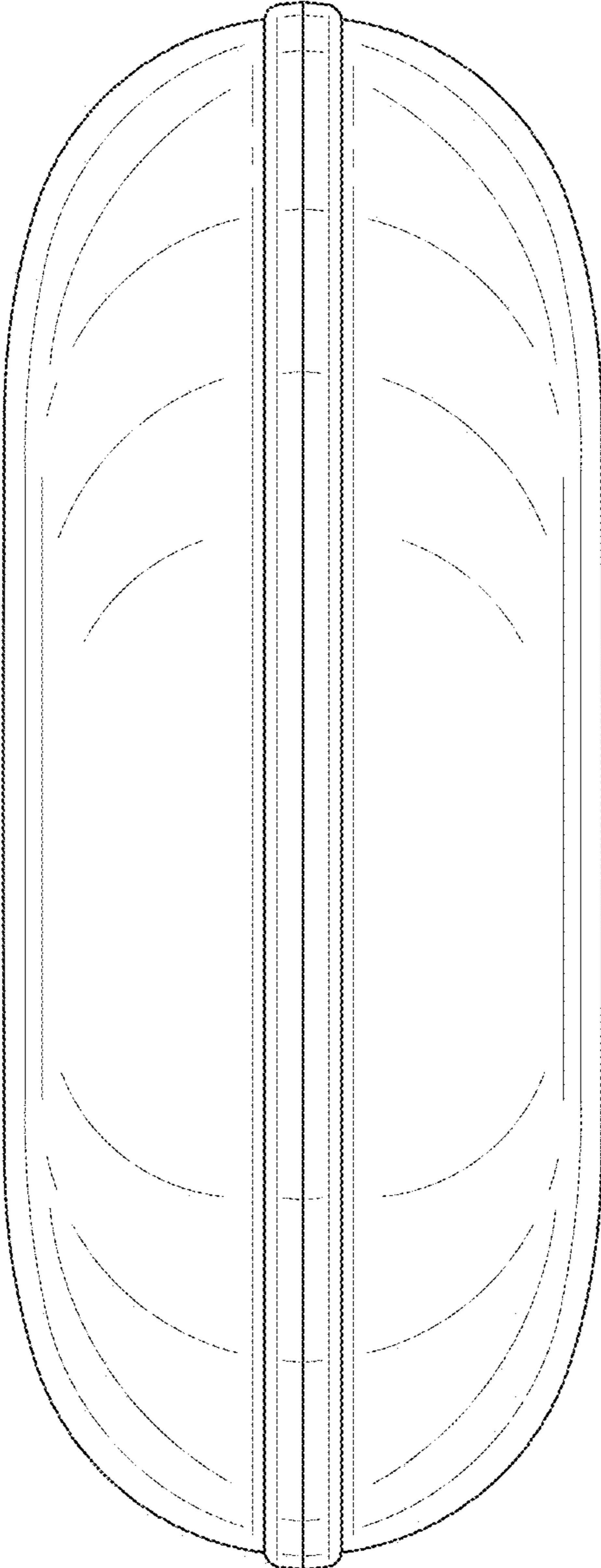


FIG. 16