



US00D927849S

(12) **United States Design Patent** (10) **Patent No.:** **US D927,849 S**
Imsand et al. (45) **Date of Patent:** **** Aug. 17, 2021**

(54) **TOOL STORAGE BAG** D426,384 S * 6/2000 Brouard D3/276
6,126,003 A 10/2000 Brouard
(71) Applicant: **APEX BRANDS, INC.**, Apex, NC D447,632 S * 9/2001 Gisser D3/276
(US) (Continued)

(72) Inventors: **Nicholas Ryan Imsand**, Huntersville,
NC (US); **Rand Royd Ruland**, Fort
Mill, SC (US); **Mendy Benton**,
Pawtucket, RI (US)

FOREIGN PATENT DOCUMENTS

CA D123242 S 1/2009
CA D123243 S 1/2009
CA D123244 S 1/2009

(73) Assignee: **APEX BRANDS, INC.**, Apex, NC
(US)

OTHER PUBLICATIONS

Dewalt DG5553 Tool Bag, first available Jan. 20, 2009, amazon.
com [online], [site visited Nov. 30, 2020], Available at internet
URL: <https://www.amazon.com/DEWALT-DG5553-Tool-Bag-Pocket/dp/B001P30BOQ> (Year: 2009).*

(**) Term: **15 Years**

(Continued)

(21) Appl. No.: **29/711,876**

(22) Filed: **Nov. 4, 2019**

(51) **LOC (13) Cl.** **03-01**

(52) **U.S. Cl.**
USPC **D3/283; D3/905**

(58) **Field of Classification Search**
USPC D3/254, 273, 276, 283-289, 293-294,
D3/301, 315, 245, 246, 258, 260;
D7/605, 607
CPC A45C 3/00; A45C 5/00; A45C 5/03; A45C
5/06; A45C 2005/032; A45C 2005/035;
A45C 2005/037; A45C 7/0059; A45F
3/02; A45F 2200/05; A45F 2200/0575;
B25H 3/00; B25H 3/02

See application file for complete search history.

Primary Examiner — Jeffrey D Asch
Assistant Examiner — Caitlin Ann Laverty

(74) *Attorney, Agent, or Firm* — Burr & Forman, LLP

(57) **CLAIM**

The ornamental design for a tool storage bag, as shown and
described.

DESCRIPTION

FIG. 1 is a perspective view of a tool storage bag in
accordance with the present invention;
FIG. 2 is a front view of the tool storage bag of FIG. 1;
FIG. 3 is a rear view of the tool storage bag of FIG. 1;
FIG. 4 is a left side view of the tool storage bag of FIG. 1;
FIG. 5 is a right side view of the tool storage bag of FIG. 1;
FIG. 6 is a top view of the tool storage bag of FIG. 1; and,
FIG. 7 is a bottom view of the tool storage bag of FIG. 1.
The broken lines of the tool storage bag in FIGS. 1-7 are
illustrative of portions of the tool storage bag that form no
part of the claimed design.

(56) **References Cited**

U.S. PATENT DOCUMENTS

2,672,962 A * 3/1954 Keirsey A45C 3/00
190/115
4,095,636 A * 6/1978 Urion A45C 11/00
206/315.9
D324,136 S * 2/1992 Lee D3/231
D334,839 S * 4/1993 Dancyger D3/246

1 Claim, 7 Drawing Sheets



(56)

References Cited

U.S. PATENT DOCUMENTS

D487,345 S * 3/2004 Brouard D3/276
 D490,245 S * 5/2004 Brouard
 6,915,902 B2 7/2005 Brouard
 D512,563 S * 12/2005 Suppangig D3/246
 D543,028 S * 5/2007 Dumas D3/246
 D613,507 S 4/2010 Brouard
 D641,552 S * 7/2011 Sosnovsky D3/283
 D641,978 S * 7/2011 Sanz D3/283
 D664,357 S * 7/2012 Kinsky D3/315
 D701,045 S * 3/2014 Menirom D3/283
 D739,654 S * 9/2015 Brouard D3/276
 D823,600 S * 7/2018 Pennington D3/315
 D825,921 S * 8/2018 Pennington D3/283
 D846,282 S * 4/2019 Brouard D3/315
 D897,672 S * 10/2020 Hedrick D3/245
 10,881,178 B2 * 1/2021 Johnson A45C 3/00
 2002/0014507 A1 * 2/2002 Snider A45F 5/02
 2003/0042266 A1 * 3/2003 Young A45C 13/002
 224/671
 220/694

2004/0065573 A1* 4/2004 Brouard A45C 13/02
 206/373
 2007/0137958 A1* 6/2007 Hamlin B25H 3/02
 190/109
 2008/0179370 A1* 7/2008 Williams B25H 3/02
 224/682
 2008/0240624 A1* 10/2008 Godshaw A45C 5/08
 383/40
 2015/0201722 A1* 7/2015 Brouard A45C 3/001
 150/107
 2021/0068510 A1* 3/2021 Johnson A45C 7/0086

OTHER PUBLICATIONS

Crescent Tools—Tradesman Tool Bags, first available Sep. 12, 2019, youtube.com [online], [site visited Nov. 24, 2020], Available at internet URL: <https://www.youtube.com/watch?v=PUGuD1r1xQc> (Year: 2019).*

Crescent Tool Redefines what a tool bag Should Be! , first available Sep. 14, 2019, youtube.com [online], [site visited Nov. 24, 2020], Available at internet URL: <https://www.youtube.com/watch?v=2tSY2CD21iM> (Year: 2019).*

* cited by examiner



FIG. 1

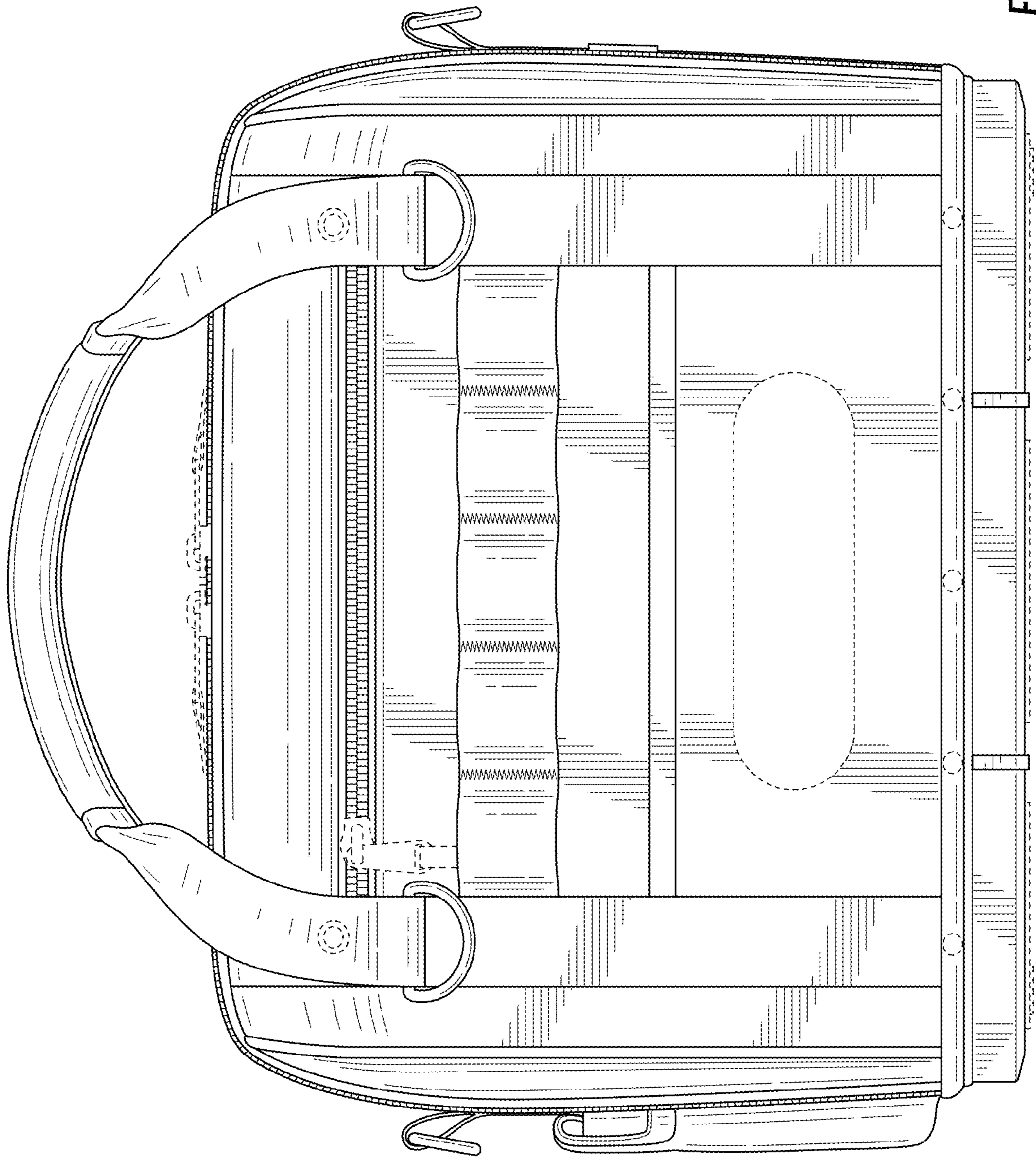


FIG. 2

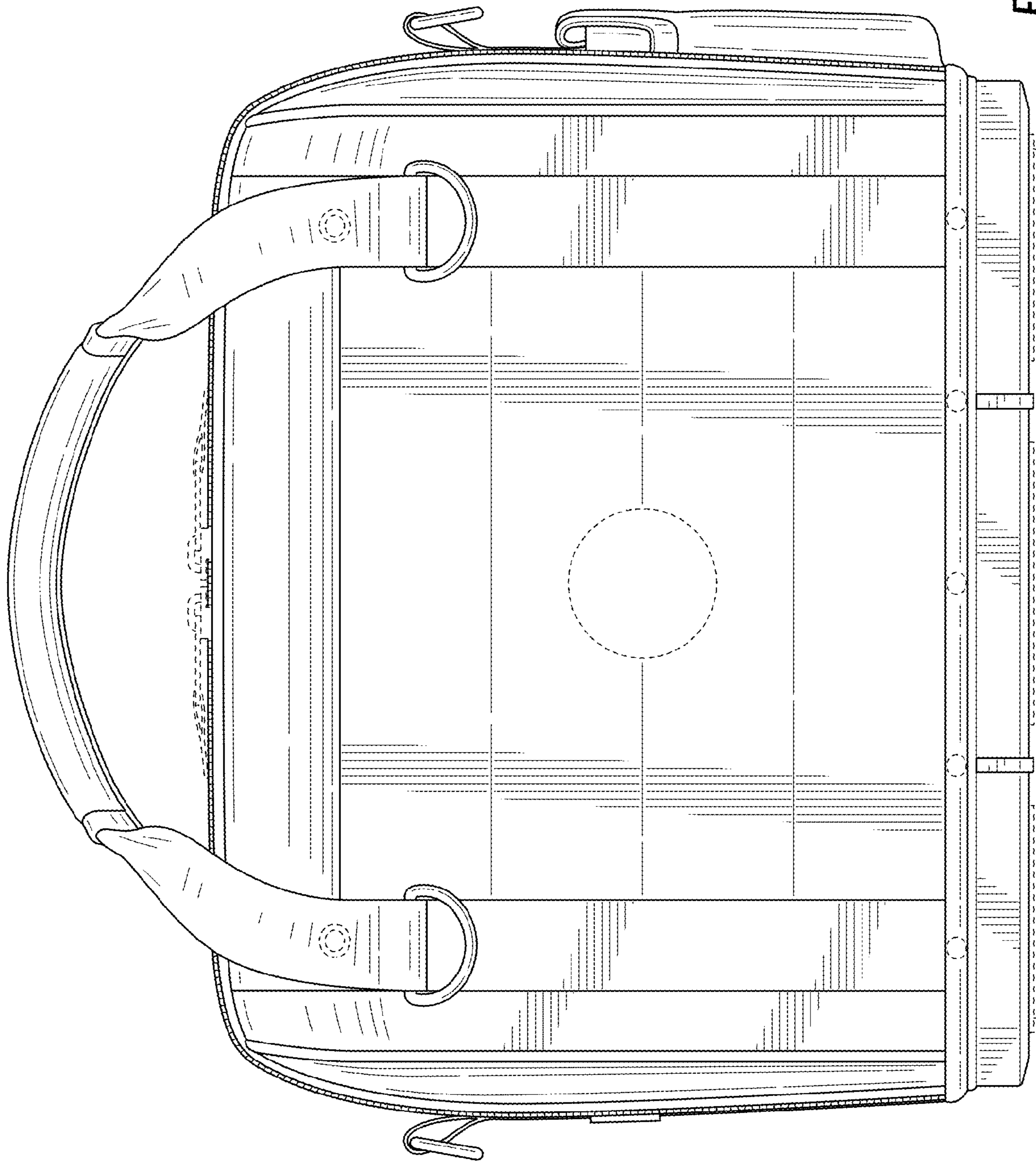


FIG. 3

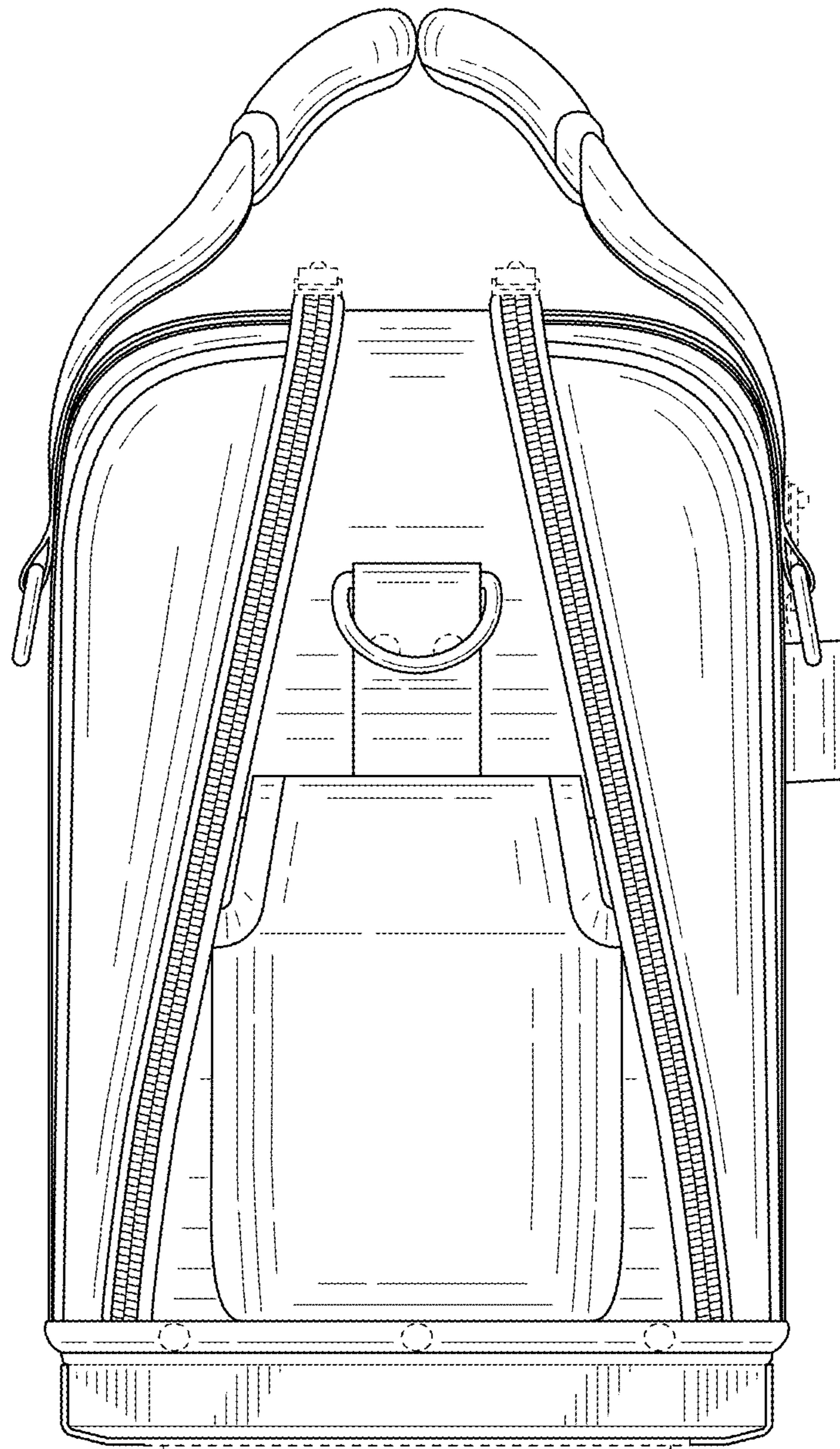


FIG. 4

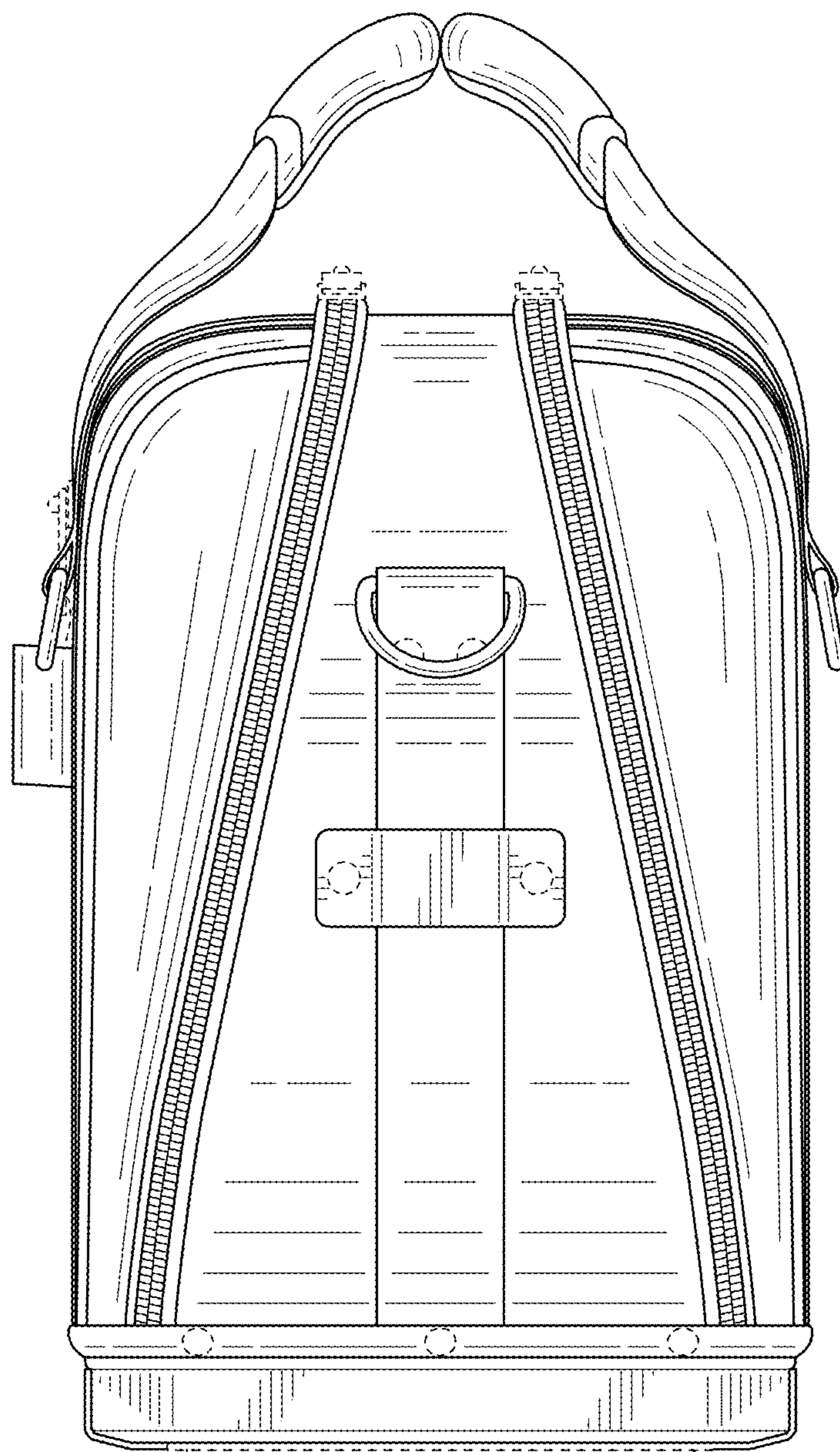


FIG. 5

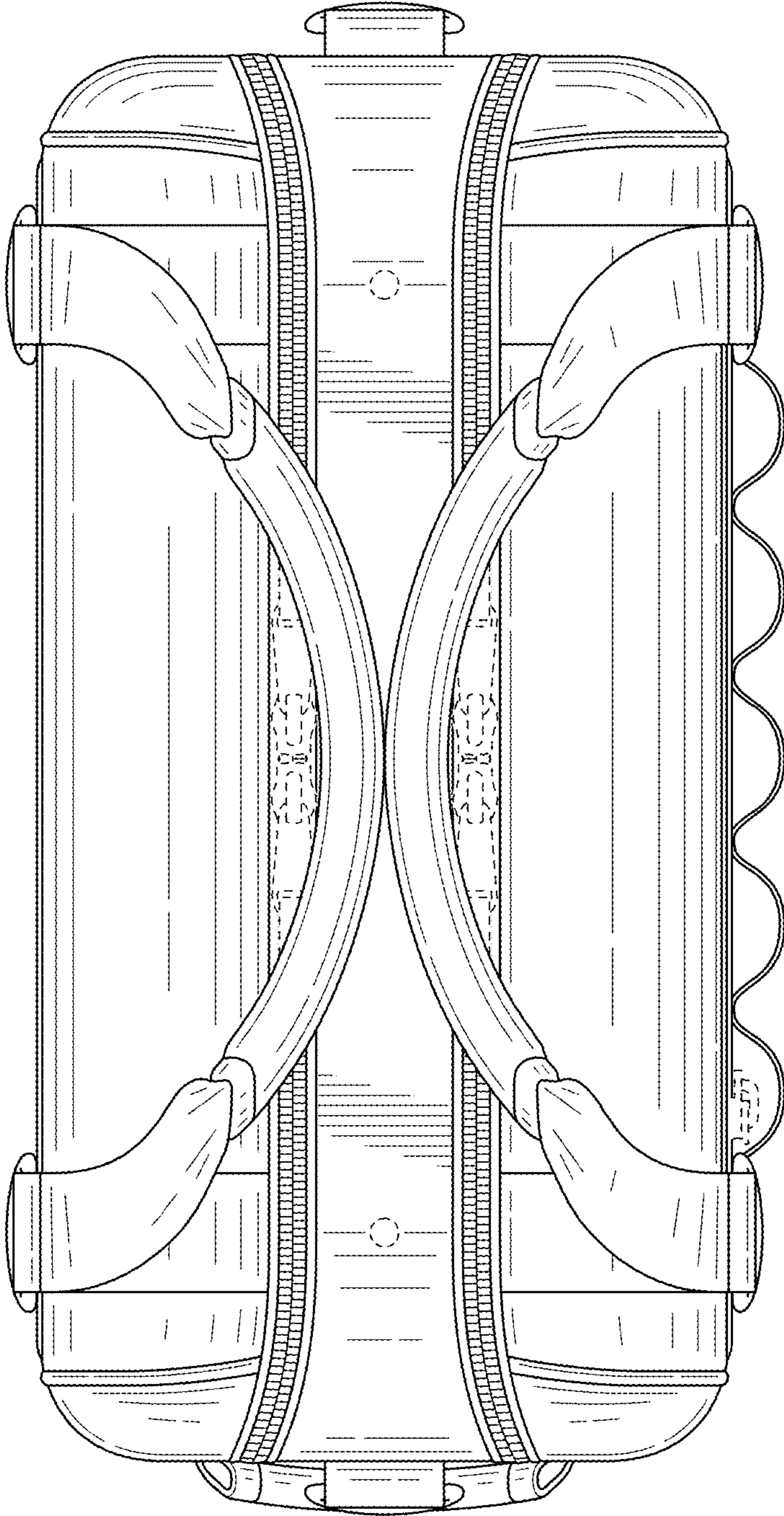


FIG. 6

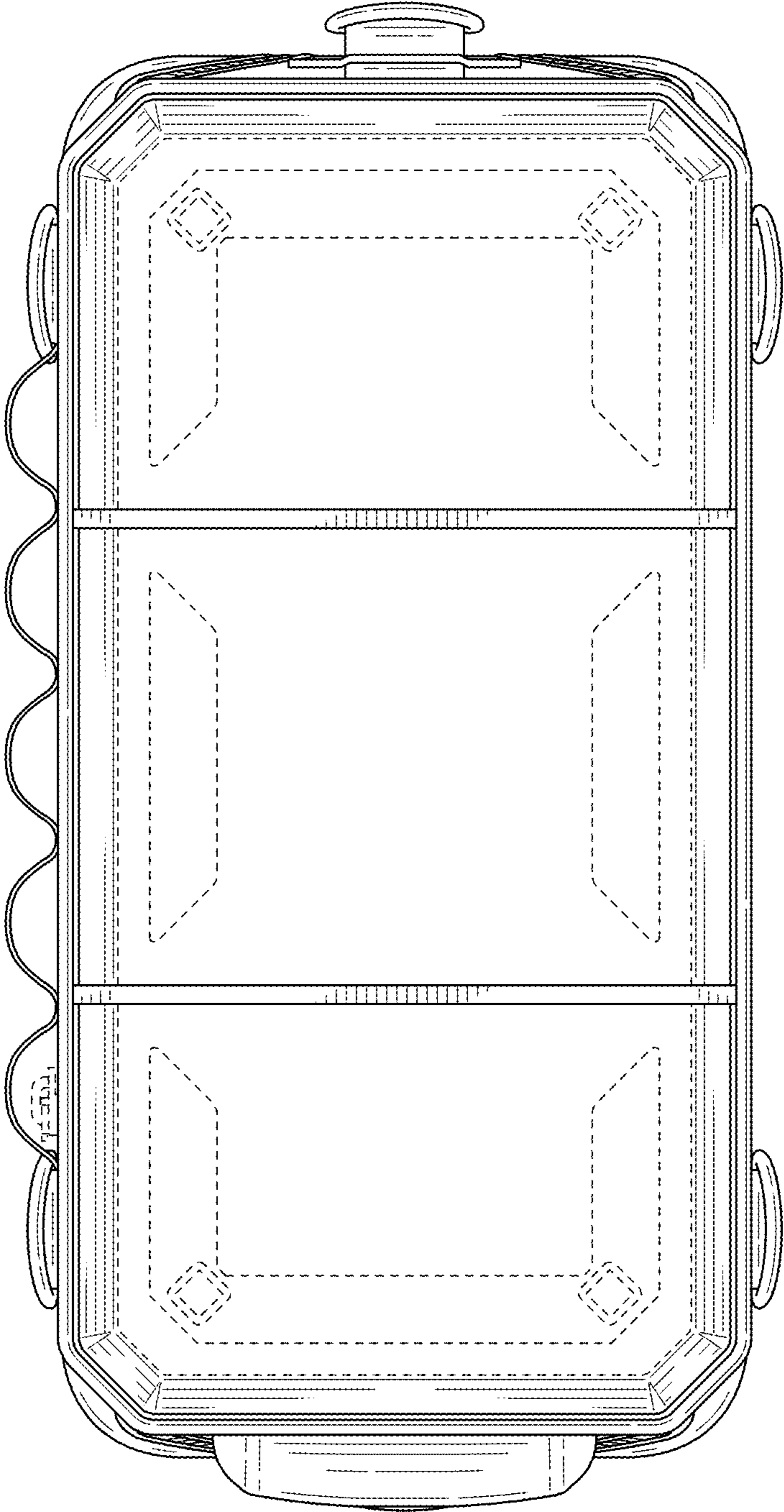


FIG. 7