



US00D927848S

(12) **United States Design Patent**  
**Tunney**

(10) **Patent No.:** **US D927,848 S**

(45) **Date of Patent:** **\*\* Aug. 17, 2021**

(54) **INTERACTIVE POCKET KEY ORGANIZER**

(71) Applicant: **Curv Brands LLC**, Elk Grove Village, IL (US)

(72) Inventor: **Michael Tunney**, Mount Prospect, IL (US)

(73) Assignee: **Curv Brands, LLC**, Miami, FL (US)

(\*\*) Term: **15 Years**

(21) Appl. No.: **29/719,217**

(22) Filed: **Jan. 2, 2020**

(51) **LOC (13) Cl.** ..... **03-01**

(52) **U.S. Cl.**  
USPC ..... **D3/207**

(58) **Field of Classification Search**

USPC ..... D3/207, 208, 209, 210, 211, 212, 215,  
D3/327; D11/200

CPC ..... A45C 11/32; A45F 5/021; A01K 27/008;  
B65D 33/1625; H01H 36/00

See application file for complete search history.

(56) **References Cited**

**U.S. PATENT DOCUMENTS**

D3,942 S	3/1870	Elwell	
1,669,945 A	5/1928	Michailovsky	
1,837,151 A *	12/1931	Edwards	A45C 11/324 70/456 R

1,885,957 A	1/1932	Singleton	
1,974,160 A	9/1934	Peirson	
1,974,558 A	9/1934	Andis	
2,245,381 A	6/1941	Biggs	

(Continued)

**FOREIGN PATENT DOCUMENTS**

GB 856233 12/1960

**OTHER PUBLICATIONS**

Gordon, W., "Folding Key Chain," Aug. 8, 2011, <http://www.instructables.com/id/Folding-Key-chain/>, printed Apr. 15, 2015.

(Continued)

*Primary Examiner* — Kevin K Rudzinski

*Assistant Examiner* — Amber J Rabie

(74) *Attorney, Agent, or Firm* — Maxwell J. Petersen;  
FisherBroyles, LLP

(57) **CLAIM**

The ornamental design for an interactive pocket key organizer, substantially as shown and described.

**DESCRIPTION**

FIG. 1 is a perspective view of the interactive pocket key organizer.

FIG. 2 is a top view of the interactive pocket key organizer.

FIG. 3 is a front view of the interactive pocket key organizer.

FIG. 4 is a bottom view of the interactive pocket key organizer.

FIG. 5 is a rear view of the interactive pocket key organizer.

FIG. 6 is a right end view of the interactive pocket key organizer.

FIG. 7 is a left end view of the interactive pocket key organizer.

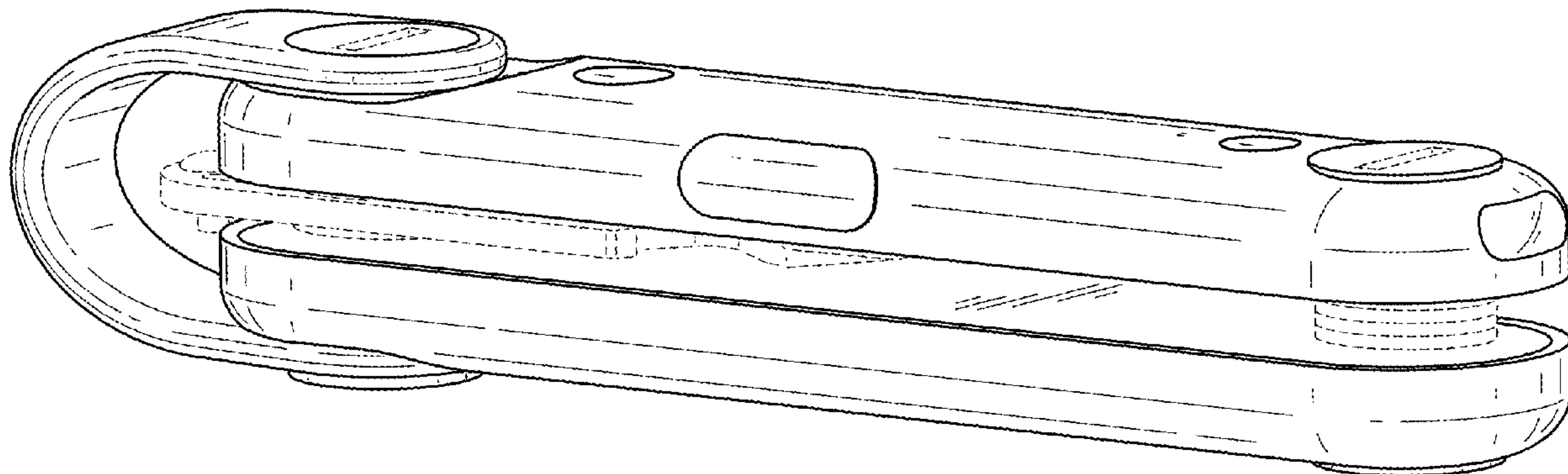
FIG. 8 is a left end view of the interactive pocket key organizer with the clip rotated to show more detail.

FIG. 9 is a top view of the interactive pocket key organizer with a key mounted and exposed at one end; and,

FIG. 10 is a top view of the interactive pocket key organizer with keys mounted and exposed at both ends.

The features shown in broken lines in the drawings are for illustrating the environmental structure and form no part of the claimed design.

**1 Claim, 6 Drawing Sheets**



(56)

References Cited

U.S. PATENT DOCUMENTS

D133,144 S 7/1942 Struble  
 2,306,970 A 12/1942 MacPherson  
 2,360,077 A \* 10/1944 Sherwood ..... A45C 11/324  
 206/37.8  
 2,387,319 A 10/1945 Evans  
 2,486,180 A 10/1949 Vaccaro  
 D156,677 S 12/1949 Smith  
 2,493,330 A 1/1950 Zimmerman  
 2,549,228 A 4/1951 Ostrander  
 2,595,981 A \* 5/1952 Prickett ..... A45C 11/324  
 70/456 R  
 2,659,231 A 11/1953 Glubiak  
 2,753,710 A 7/1956 Bestard  
 2,790,319 A 4/1957 Brunner  
 3,321,943 A 5/1967 Reyes  
 3,355,917 A 12/1967 Albert  
 3,436,942 A 4/1969 Proctor  
 3,455,131 A 7/1969 Shofner  
 3,877,269 A 4/1975 Dehart  
 4,045,984 A \* 9/1977 McDonald ..... A45C 11/324  
 70/456 R  
 4,253,321 A 3/1981 Sorensen  
 4,596,126 A 6/1986 Sorensen  
 4,646,913 A 3/1987 Wing et al.  
 5,117,666 A 6/1992 Keefer  
 D332,384 S 1/1993 Dague  
 D334,528 S 4/1993 Franklin  
 5,199,560 A 4/1993 Lee et al.  
 D356,019 S 3/1995 Sakai  
 D357,166 S 4/1995 Concari  
 D382,190 S 8/1997 Blackston et al.  
 5,791,211 A 8/1998 Bondhus et al.  
 D404,284 S 1/1999 Sacco et al.  
 D405,675 S 2/1999 Rivera  
 D410,189 S \* 5/1999 Wehrs ..... D8/105  
 5,966,972 A \* 10/1999 Chuang ..... A44B 15/005  
 70/456 R  
 D434,302 S 11/2000 Van Den Acker  
 D442,060 S 5/2001 Neset et al.  
 D442,061 S 5/2001 Harris et al.  
 6,892,558 B2 5/2005 Chodosh  
 7,127,922 B2 10/2006 Khounsombath et al.  
 7,481,137 B1 1/2009 Johnson  
 D624,305 S 9/2010 Downes  
 D674,590 S 1/2013 Busch  
 D693,202 S 11/2013 Berman  
 D705,533 S \* 5/2014 Tunney ..... D3/207  
 D728,922 S 5/2015 Taylor  
 D754,427 S 4/2016 Tunney  
 D754,428 S 4/2016 Tunney  
 D756,629 S 5/2016 Tunney  
 D756,630 S 5/2016 Tunney  
 D771,936 S \* 11/2016 Shlaferman ..... D3/207  
 D821,739 S \* 7/2018 Hirschorn ..... A45C 11/324  
 D3/207  
 D858,087 S \* 9/2019 Julianloo ..... A45C 11/321  
 D3/207  
 D861,326 S \* 10/2019 Riley ..... A45C 11/324  
 D3/207  
 D865,481 S \* 11/2019 Park ..... A61B 17/244  
 D8/105  
 D866,286 S \* 11/2019 Parks ..... A45C 11/324  
 D8/105  
 D897,813 S \* 10/2020 Parks ..... A45C 11/324  
 D8/105

D897,814 S \* 10/2020 Parks ..... A61B 17/244  
 D8/105  
 2001/0012754 A1 8/2001 Anderson et al.  
 2005/0048438 A1 \* 3/2005 Gwen ..... A61B 17/244  
 433/141  
 2005/0048439 A1 \* 3/2005 Gwen ..... A61B 17/244  
 433/141  
 2005/0103070 A1 5/2005 Meyerson et al.  
 2006/0000250 A1 1/2006 Folger  
 2014/0374281 A1 \* 12/2014 Rodrigues ..... A45C 11/321  
 206/38.1  
 2019/0289973 A1 \* 9/2019 Van Der Laan ..... A45C 11/324

OTHER PUBLICATIONS

Ethanf, "Do You Hate Your Keys Jingling? (Bicycle Content)," Sep. 12, 2012, EDC forums, <http://edcforums.com/threads/do-you-hate-your-keys-jingling-bicycle-content.87540/>. printed Apr. 15, 2015.  
 Bladekey, LLC, "Bolt-Open Source Pocket Key Organizer," Mar. 11, 2013, Kickstarter.com, <https://www.kickstarter.com/projects/bladekey/bladekeytm-bolt-open-source-pocket-key-organizer>, printed Apr. 15, 2015.  
 Abelware, "Abelware 75412004 Four Key Holder," <http://www.amazon.com/Abelware-75412004-Four-Key-Holder/dp/BODEYC0TK6>, printed Apr. 15, 2015.  
 Key Inventions, LLC, "Key Organizer," <http://www.key-inventions.com>, printed Apr. 15, 2015.  
 Anonymous, "Novel Key Holder," Popular Mechanics, Jan. 1923, p. 161, [http://books.google.com/books?id=YnoDAAAAMBAJ&pg=PA3&source=gbs\\_toc&cad=2#v=onepage&q&f=false](http://books.google.com/books?id=YnoDAAAAMBAJ&pg=PA3&source=gbs_toc&cad=2#v=onepage&q&f=false), printed Apr. 15, 2015.  
 Crew, "My New Custom Multi-Key, Made From a Gerber Curve!," Dec. 1, 2010, EDCforums.com, <http://edcforums.com/hreads/my-new-custom-multi-key-made-from-a-gerber-curve.78923/>, printed Apr. 15, 2015.  
 Legoman0721, "Keychain Pics, Part 1", Nov. 24, 2010, EDCforums.com, <http://edcforums.com/threads/keychain-pics-part-1.36092/page-83>, printed Feb. 2015-Apr. 2015.  
 Anonymous, "Switchkey," [http://www.switchkey.ca/Switchkey\\_MFG/The\\_Switchkey\\_Manufacturing\\_Company\\_-\\_Niagra\\_Falls\\_Canada.html](http://www.switchkey.ca/Switchkey_MFG/The_Switchkey_Manufacturing_Company_-_Niagra_Falls_Canada.html), printed Apr. 15, 2015.  
 Cineik, "K-Addict," Jun. 11, 2013, kickstarter.com, <https://www.kickstarter.com/projects/cineik/k-addict>, printed Apr. 15, 2015.  
 Reconscious, "Friendly Folding Keychain," Jun. 28, 2009, instructables.com, <http://www.instructables.com/id/Friendly-Folding-Keychain>, printed Apr. 15, 2015.  
 Doherty, W., "Swiss Army Style Pocket Key Organizer," Etsy.com, May 6, 2013, printed May 15, 2015.  
 Instructables, "Friendly Folding Keychain," <http://www.instructables.com/id/Friendly-Folding-Keychain/>, printed Aug. 13, 2015.  
 amazon.com, "Portable Key Organizer From Kiarthen Eliminates Bulging Pockets," <https://www.amazon.com/dp/B01GW98TG4>, printed on Apr. 21, 2017 (pp. 5-10).  
 amazon.com, "Portable Key Organizer From Kiarthen Eliminates Bulging Pockets Holds Up to 14 Keys," [https://www.amazon.co.uk/dp/B01GW98TDW?m=A3M4WPAUKLAU14&ref=\\_v\\_sp\\_wi](https://www.amazon.co.uk/dp/B01GW98TDW?m=A3M4WPAUKLAU14&ref=_v_sp_wi), printed on Mar. 17, 2017 (pp. 1-6).  
 Ebay, "Kiarthen Key Holder Holds Up to 14 Keys, Silver," <http://www.ebay.com/itm/Kiarthen-Key-Holder-Organizer-Holds-up-To-14-Keys-Silver-/322398949325>, printed on Feb. 21, 2017 (pp. 1-3).  
 Kiarthen, "Home, Patio, Lawn, Garden, Tools & Office Products," <http://www.kiarthen.com>, printed on Feb. 21, 2017 (pp. 1-3).  
 Kiarthen, "Home, Patio, Lawn, Garden, Tools & Office Products," <http://www.kiarthen.com>, printed on Apr. 20, 2017 (pp. 1-3).

\* cited by examiner



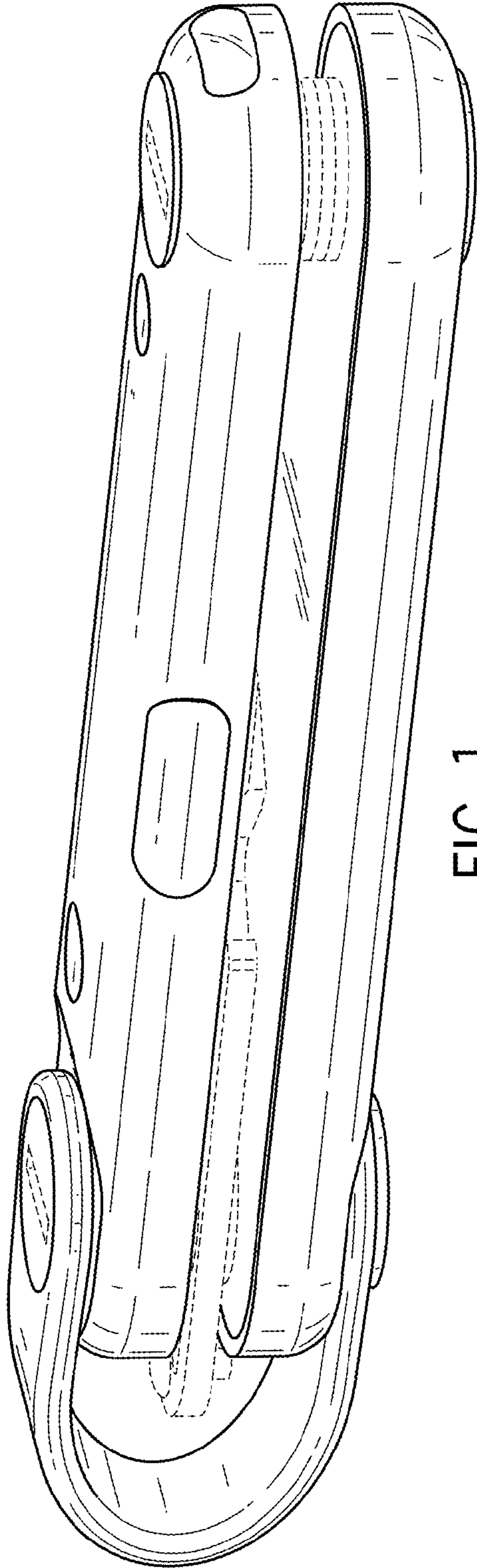


FIG. 1

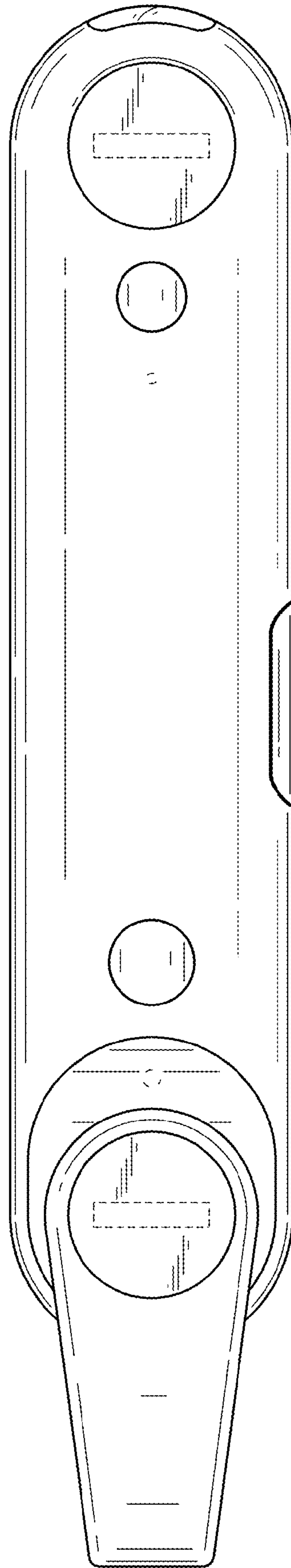


FIG. 2

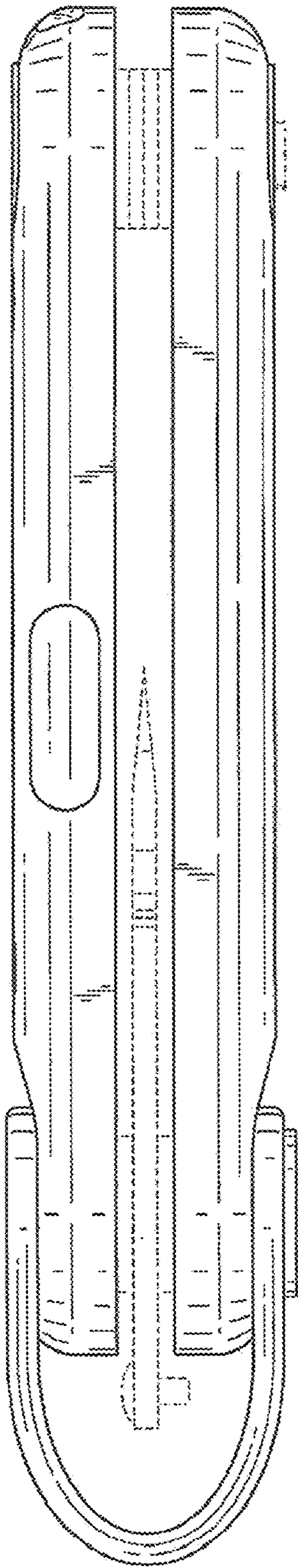


FIG. 3

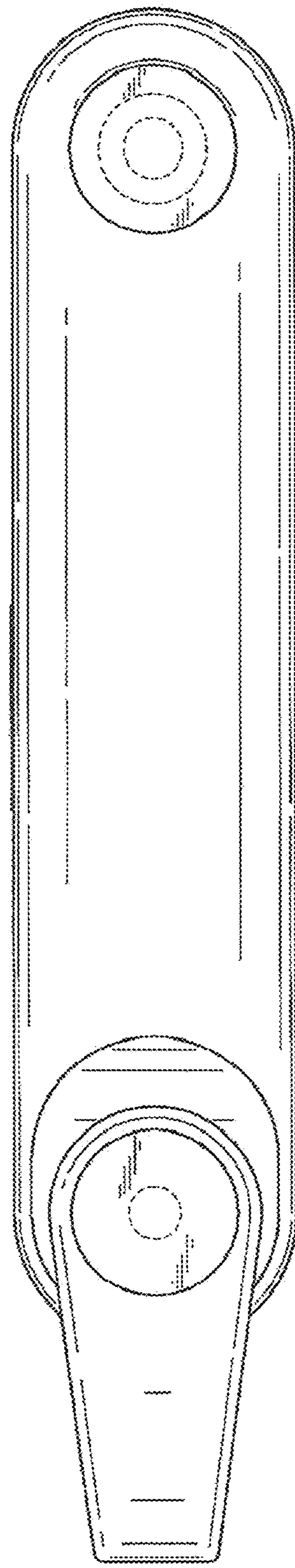


FIG. 4

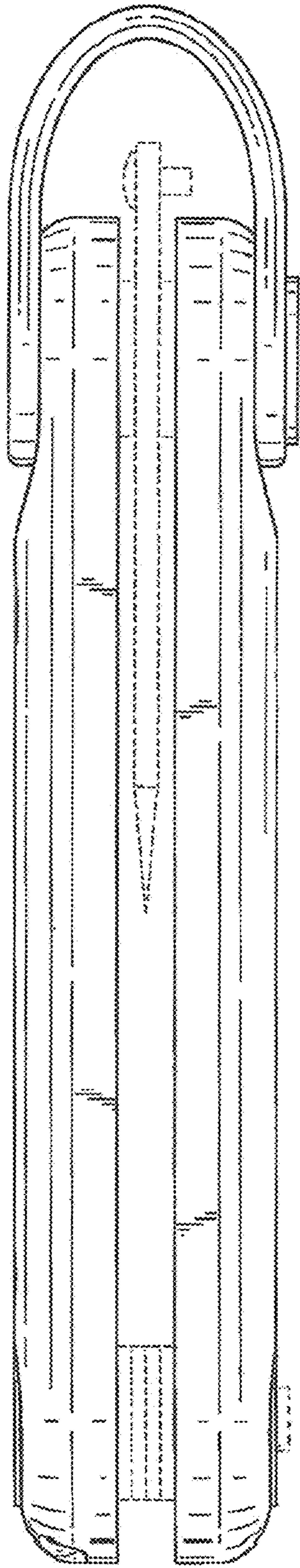


FIG. 5

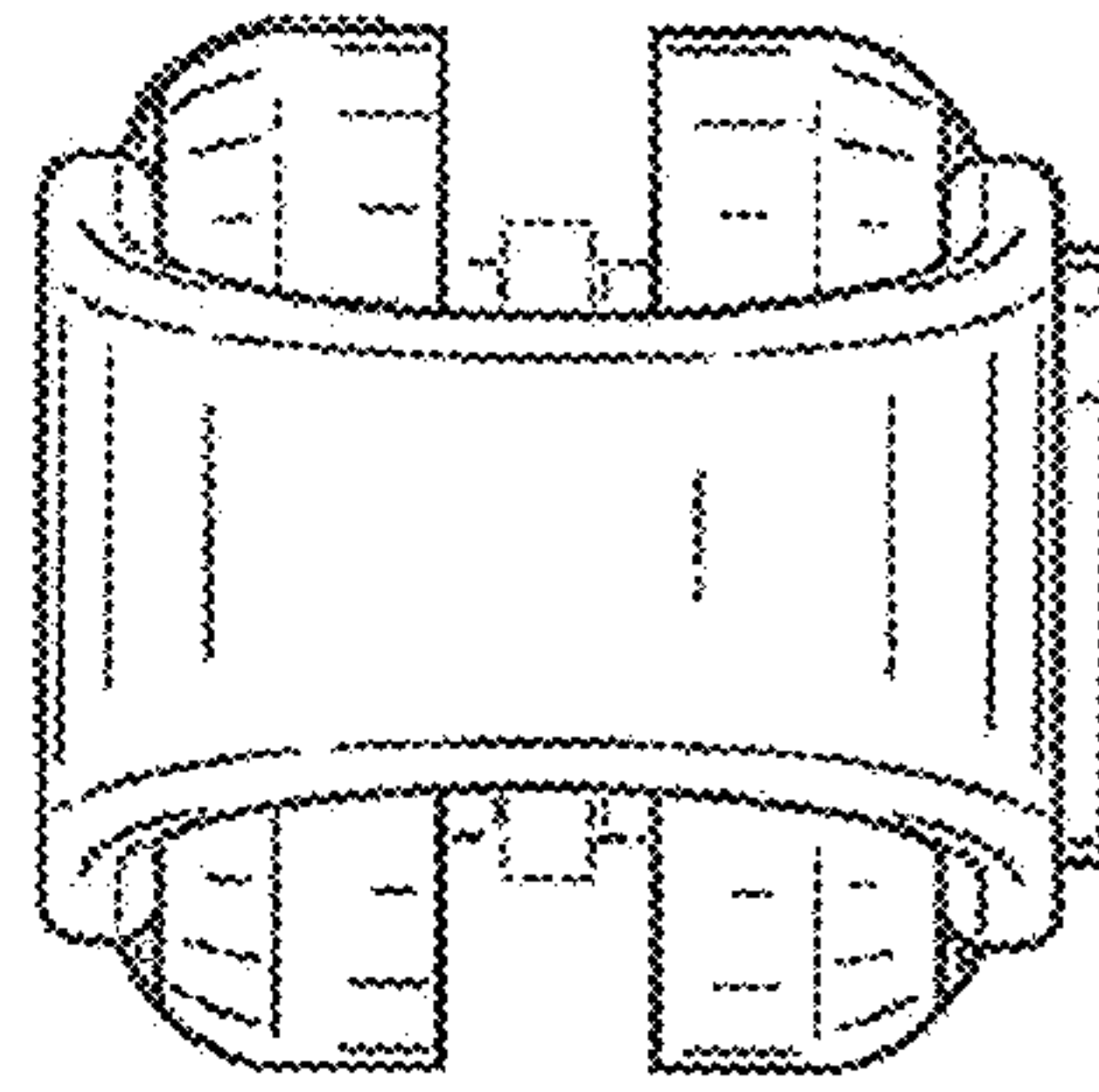


FIG. 7

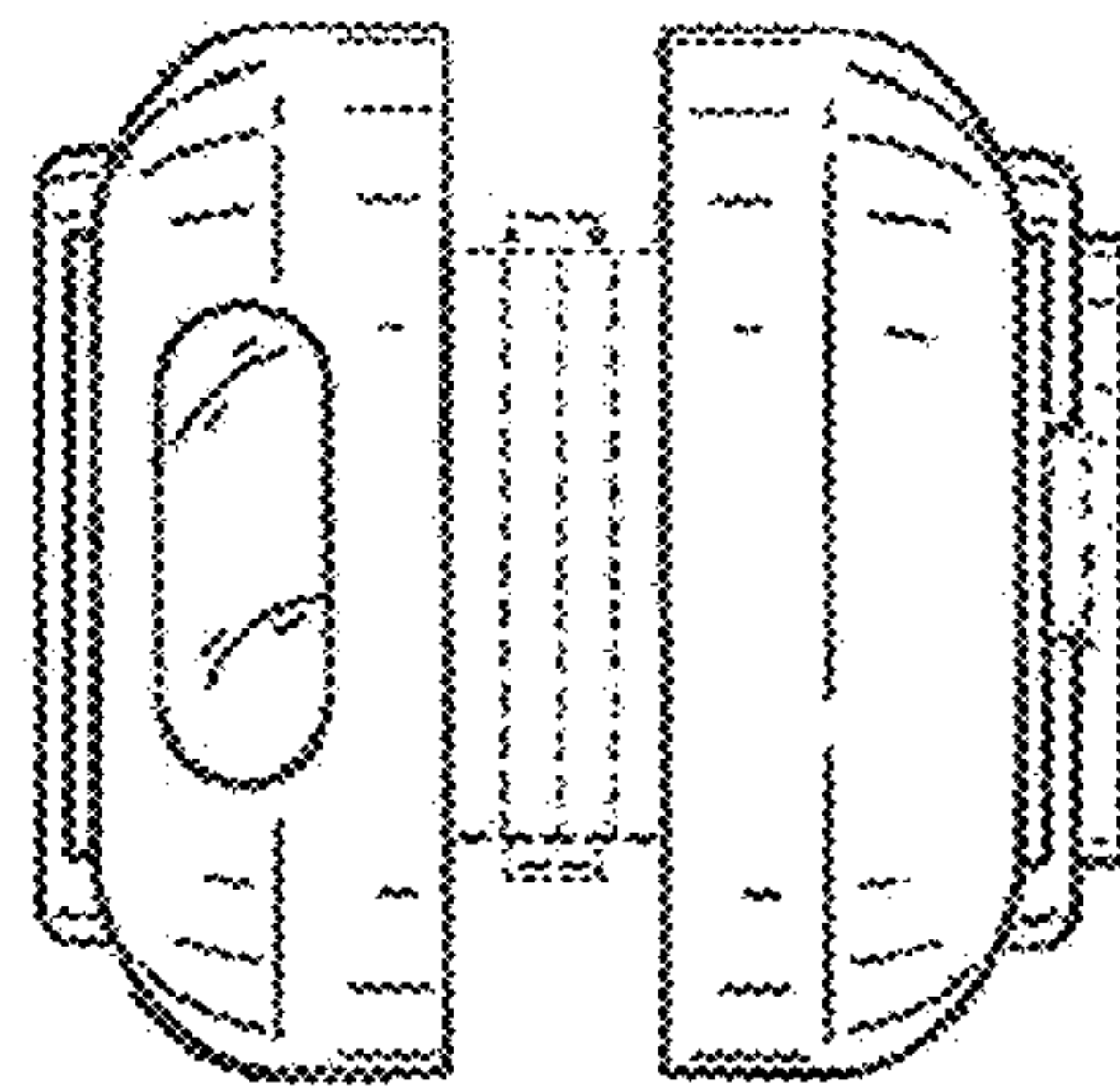


FIG. 6

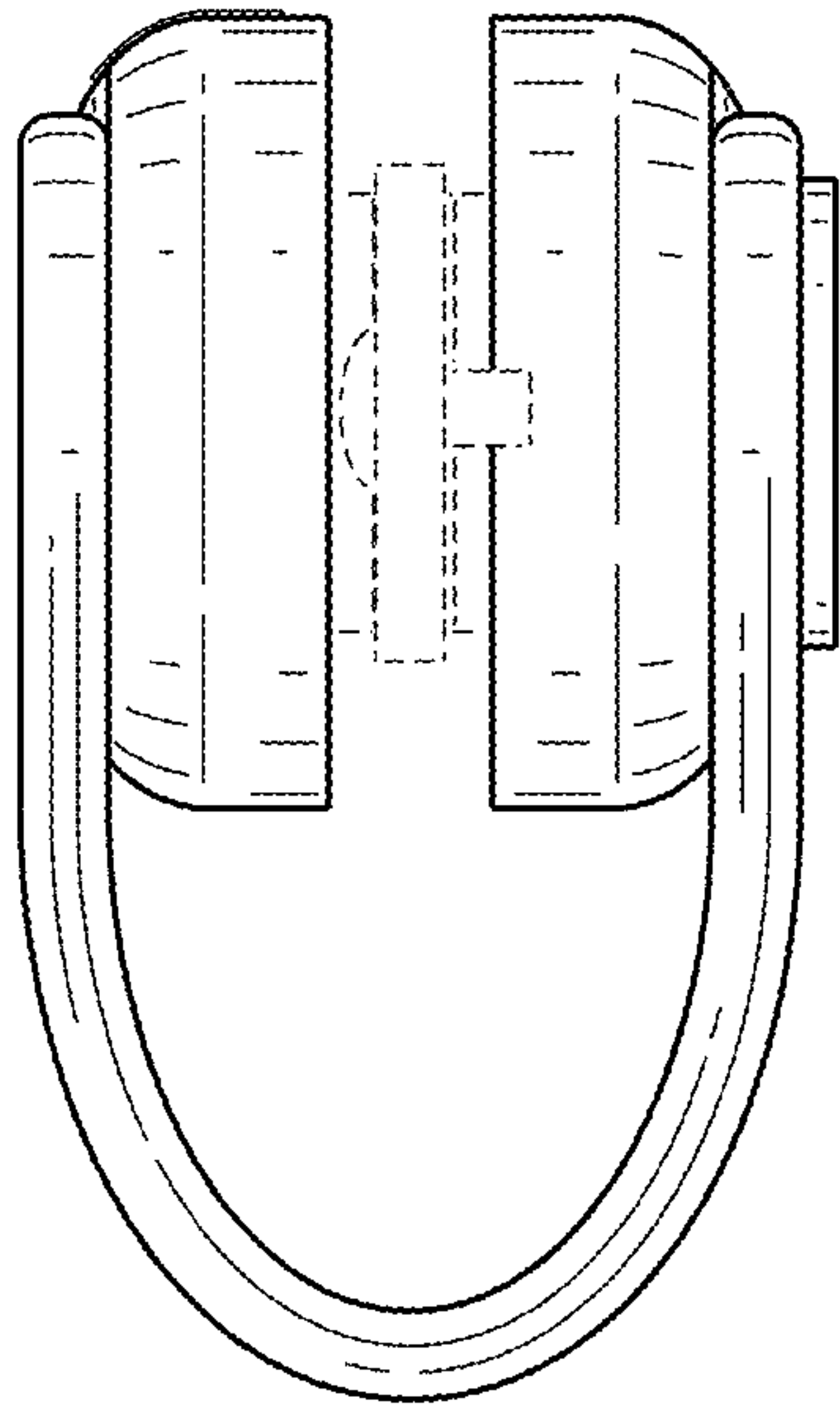


FIG. 8



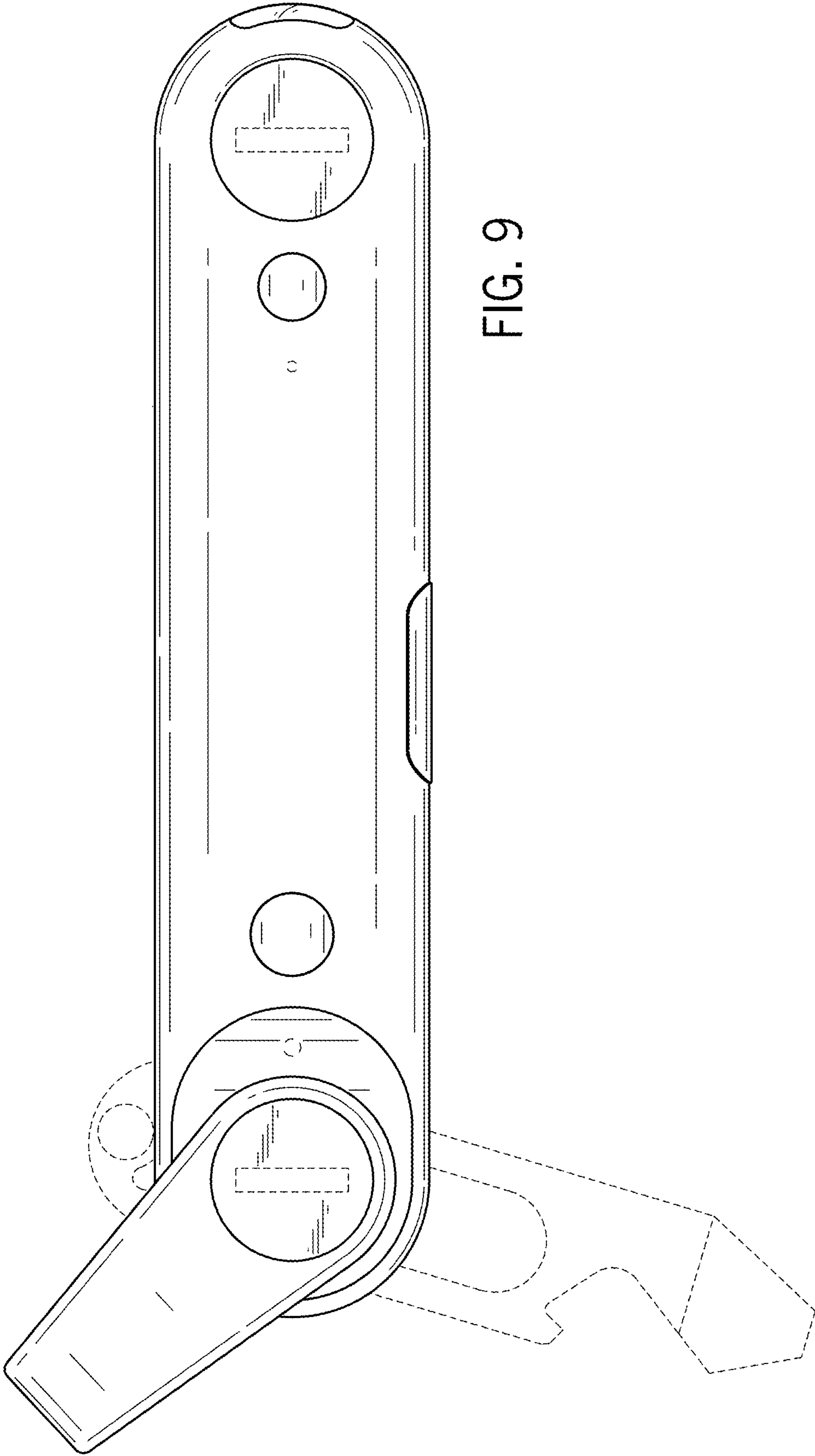


FIG. 9

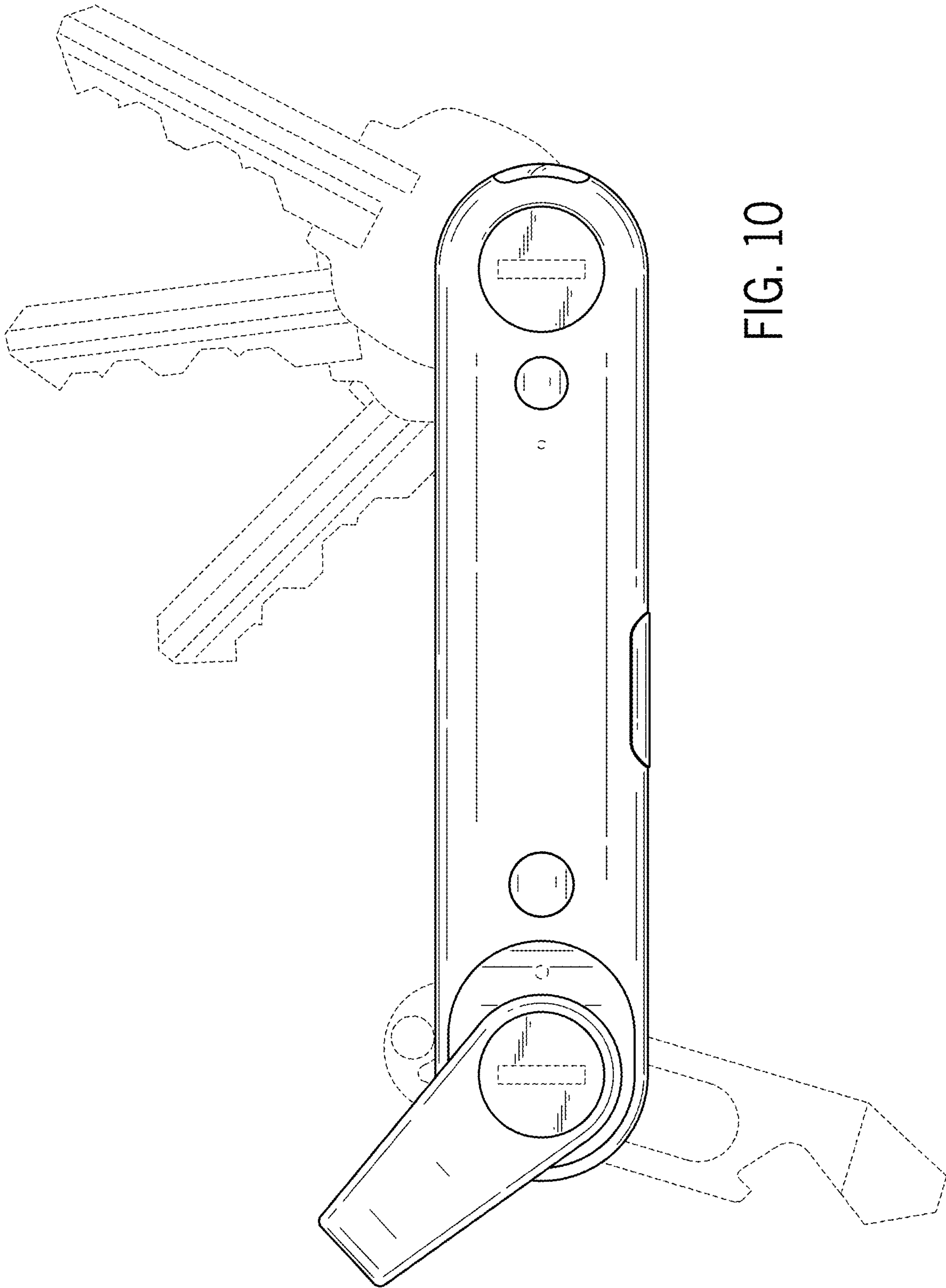


FIG. 10