



US00D927847S

(12) **United States Design Patent** (10) **Patent No.:** **US D927,847 S**
Cerami, III et al. (45) **Date of Patent:** **** Aug. 17, 2021**

(54) **MEDICATION OR PILL ORGANIZER**

(71) Applicant: **Group Medical Supply LLC**,
Plymouth, MN (US)

(72) Inventors: **Joseph A Cerami, III**, Belle Plaine,
MN (US); **Joseph A Cerami, II**,
Plymouth, MN (US)

(73) Assignee: **Group Medical Supply LLC**,
Plymouth, MN (US)

(**) Term: **15 Years**

(21) Appl. No.: **29/714,857**

(22) Filed: **Nov. 26, 2019**

(51) **LOC (13) Cl.** **03-01**

(52) **U.S. Cl.**
USPC **D3/203.3**

(58) **Field of Classification Search**
USPC D3/201, 203.1, 203.2, 203.3, 203.4, 273,
D3/294, 295; D9/420, 421, 756, 757,
D9/759

(Continued)

(56) **References Cited**

U.S. PATENT DOCUMENTS

4,735,318 A *	4/1988	Keffeler	A61J 1/03 206/532
4,741,441 A *	5/1988	Keffeler	A61J 1/03 206/532

(Continued)

OTHER PUBLICATIONS

GMS 31 Day Pill Organizer, amazon.com, https://www.amazon.com/GMS-Organizer-Medication-Supplements-Prescriptions/dp/B07QCQW6ZJ/ref=sr_1_7?dchild=1&keywords=GMS+31+day+pill+organizer&qid=1617895413&sr=8-7 (Year: 2020).*

(Continued)

Primary Examiner — Steven J Cxyz

(74) *Attorney, Agent, or Firm* — Deirdre M Kvale; DMK
Intellectual Property Law

(57) **CLAIM**

The ornamental design for a medicine or pill organizer, as shown and described.

DESCRIPTION

FIG. 1 is a perspective view of a medication or pill organizer;
 FIG. 2 is a front elevation view thereof;
 FIG. 3 is a rear elevation view thereof;
 FIG. 4 is a side elevation view thereof;
 FIG. 5 is a top view thereof;
 FIG. 6 is a bottom view thereof;
 FIG. 7 is a perspective view of one of the pill pods of the medication or pill organizer, shown separately for ease of disclosure;
 FIG. 8 is a front elevation view thereof;
 FIG. 9 is a rear elevation view thereof;
 FIG. 10 is a side elevation view thereof;
 FIG. 11 is a top view thereof;
 FIG. 12 is a bottom view thereof;
 FIG. 13 is a perspective view of one of the pill pods of the medication or pill organizer, shown separately and in an open state for ease of disclosure;
 FIG. 14 is a front elevation view thereof;
 FIG. 15 is a rear elevation view thereof;
 FIG. 16 is a side elevation view thereof;
 FIG. 17 is a top view thereof;
 FIG. 18 is a bottom view thereof;
 FIG. 19 is a perspective view of a second embodiment of the medication or pill organizer;
 FIG. 20 is a front elevation view thereof;
 FIG. 21 is a rear elevation view thereof;
 FIG. 22 is a side elevation view thereof;
 FIG. 23 is a top view thereof;
 FIG. 24 is a bottom view thereof;
 FIG. 25 is a perspective view of one of the pill pods of the second embodiment of the medication or pill organizer, shown separately for ease of disclosure;
 FIG. 26 is a front elevation view thereof;
 FIG. 27 is a rear elevation view thereof;

(Continued)

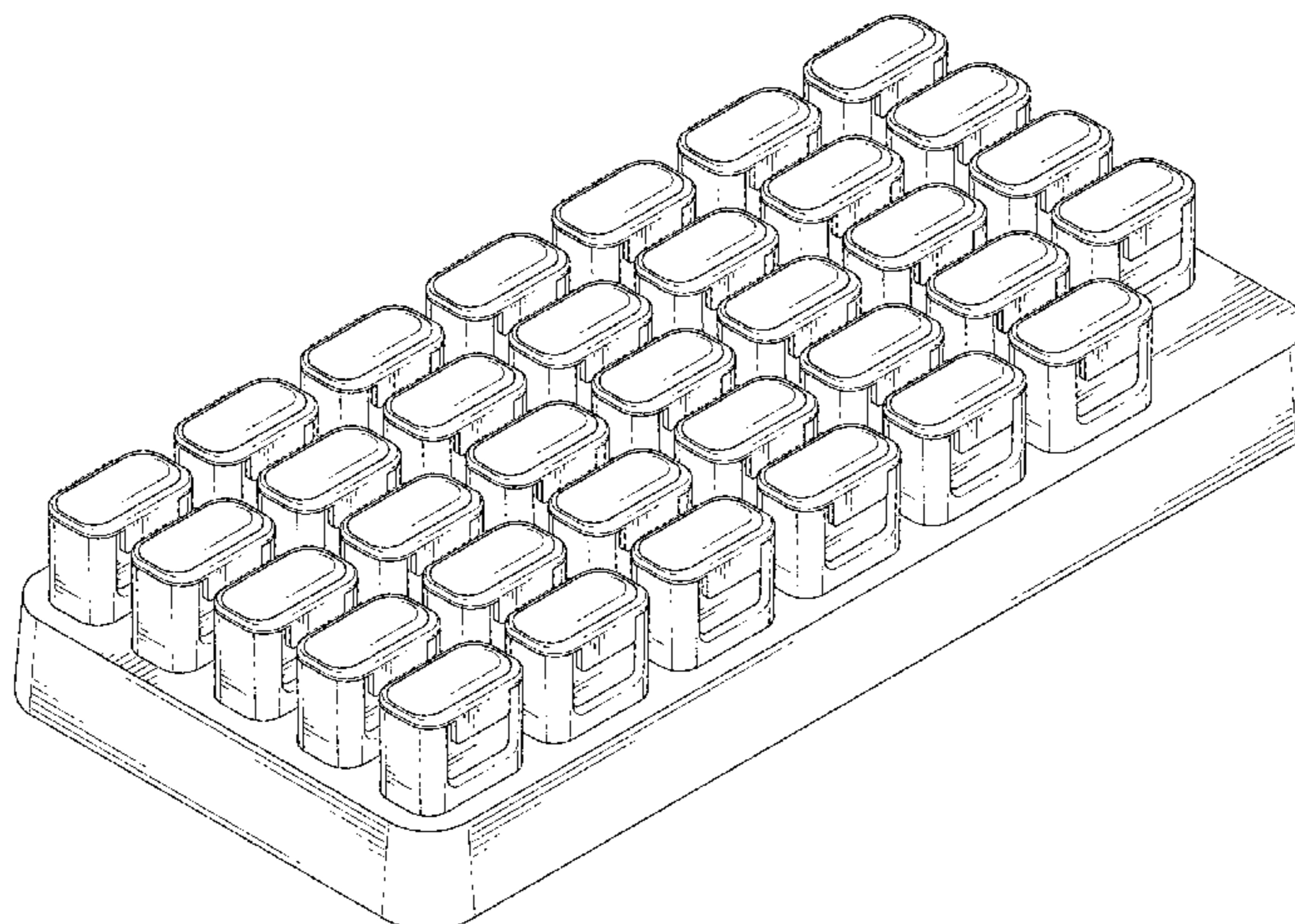


FIG. 28 is a side elevation view thereof;
 FIG. 29 is a top view thereof;
 FIG. 30 is a bottom view thereof;
 FIG. 31 is a perspective view of one of the pill pods of the second embodiment of the medication or pill organizer, shown separately and in an open state for ease of disclosure;
 FIG. 32 is a front elevation view thereof;
 FIG. 33 is a rear elevation view thereof;
 FIG. 34 is a side elevation view thereof;
 FIG. 35 is a top view thereof; and,
 FIG. 36 is a bottom view thereof.
 The broken lines depict portions of the article that form no part of the claimed design.

1 Claim, 12 Drawing Sheets

(58) **Field of Classification Search**

CPC A61J 1/00; A61J 1/03; A61J 7/04; A61J 7/0084; A61J 2205/50; B65D 1/36; B65D 2583/04; B65D 83/04; B65D 83/0445; B65D 83/0481; B65D 83/0409; B65D 25/04

See application file for complete search history.

(56) **References Cited**

U.S. PATENT DOCUMENTS

4,976,351	A *	12/1990	Mangini	G09F 3/0288 206/232
5,046,609	A *	9/1991	Mangini	G09F 3/0288 206/232
5,048,870	A *	9/1991	Mangini	G09F 3/0288 283/81
5,267,650	A *	12/1993	Gilbilisco	A61J 1/03 206/534
5,735,406	A *	4/1998	Keffeler	A61J 1/03 206/535
D430,392	S *	9/2000	Noble	D3/201

7,395,929	B2 *	7/2008	Keffeler	B65D 83/0445 206/528
D576,404	S *	9/2008	Cooper	D3/203.3
7,793,785	B2 *	9/2010	Keffeler	B65D 83/04 206/538
8,757,381	B2 *	6/2014	Bouthiette	B65D 75/327 206/534
9,289,354	B2 *	3/2016	Ryan	B65D 25/06
9,311,452	B2 *	4/2016	Dickie	A61J 1/03
9,757,305	B2 *	9/2017	Ika	A61J 1/035
9,782,327	B2 *	10/2017	Miceli	A61J 7/0084
9,889,068	B1 *	2/2018	Bakhoun	B65D 43/163
D850,782	S	6/2019	Lee et al.	
10,391,035	B2 *	8/2019	Hafner	B65D 77/2024
D877,489	S *	3/2020	Lee	D3/203.2
D882,940	S *	5/2020	Arn	D3/203.3
D897,666	S *	10/2020	Guo	D3/203.3
D899,763	S *	10/2020	McNeil	D3/203.3

OTHER PUBLICATIONS

MAXX XXL 31 Day Pill Organizer, https://www.amazon.com/Monthly-Organizer-Dispenser-Removable-Travel/dp/B08K9G2TZL/ref=pd_sbs_41?pd_rd_w=iOU0P&pf_rd_p=2419a049-62bf-452e-b0d0-ca5b7e35a7b4&pf_rd_r=230SH7CY50CGPZRS31TC&pd_rd_r=5d94b529-6b27-4abf-a13a-bb8245e4aeac&pd_rd_wg=JsDlv&pd_rd_i=B08K9G2TZL&psc=1 (Year: 2019).*

Group Medical Supply LLC, GMS 7 Day Pill Organizer | 4Times a Day | Removable Pill Boxes, prior to Nov. 26, 2019 (1 page) <https://groupmedicalsupply.com/product/4-a-day-pill-boxes-rainbow/>.

Group Medical Supply LLC, GMS Moisture-Proof Travel Pill Organizer | BPA Free Organizing Box, prior to Nov. 26, 2019 (1 page) <https://groupmedicalsupply.com/product/gms-7-day-4-times-a-day-bpa-free-waterproof-vitamin-pill-supplement-organizer-and-tray-with-daily-removale-multi-colored-tablet-boxes/>.

Group Medical Supply LLC, GMS 31 Day Pill Organizer | Portable Pop-out Pocket Pods, prior to Nov. 26, 2019 (2 pages) <https://groupmedicalsupply.com/product/gms-31-day-pill-organizer-with-daily-portable-pop-out-pods-to-contain-medication-vitamins-supplements-or-prescriptions/>.

* cited by examiner

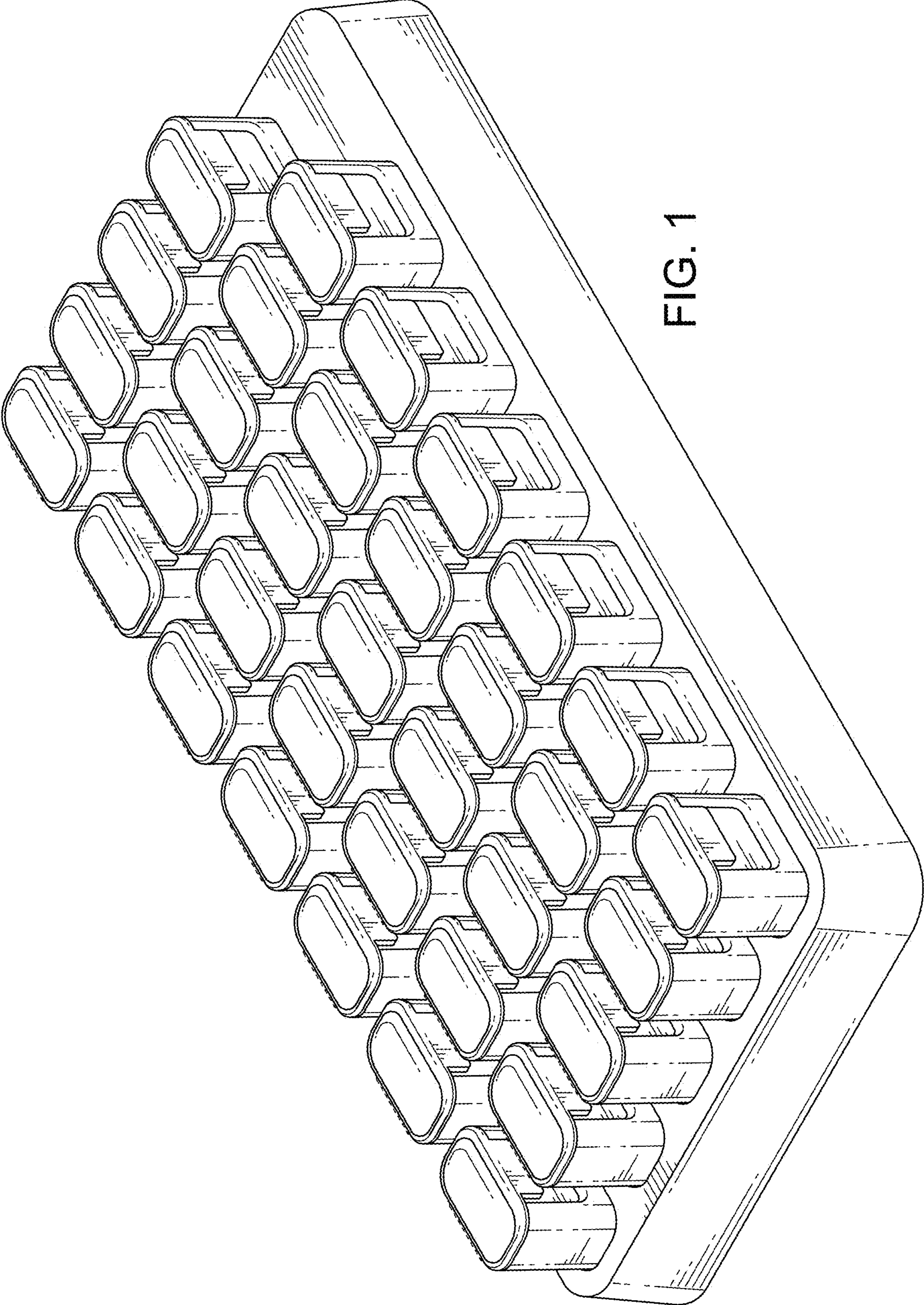


FIG. 1

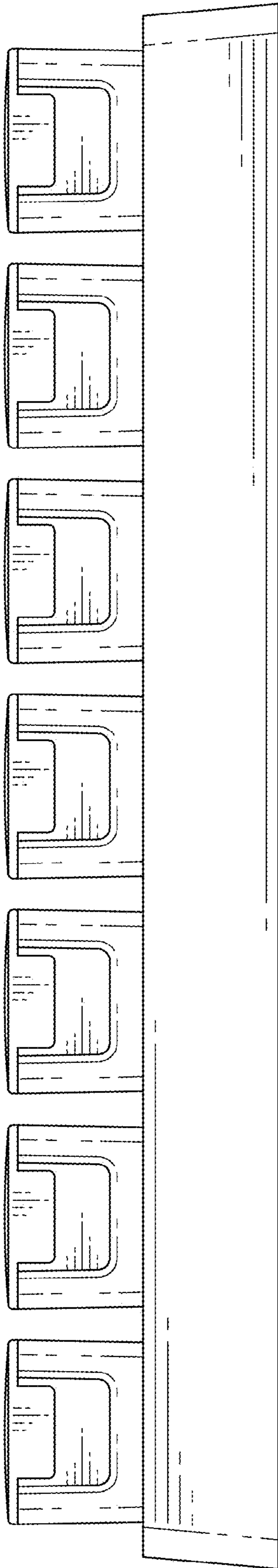


FIG. 2

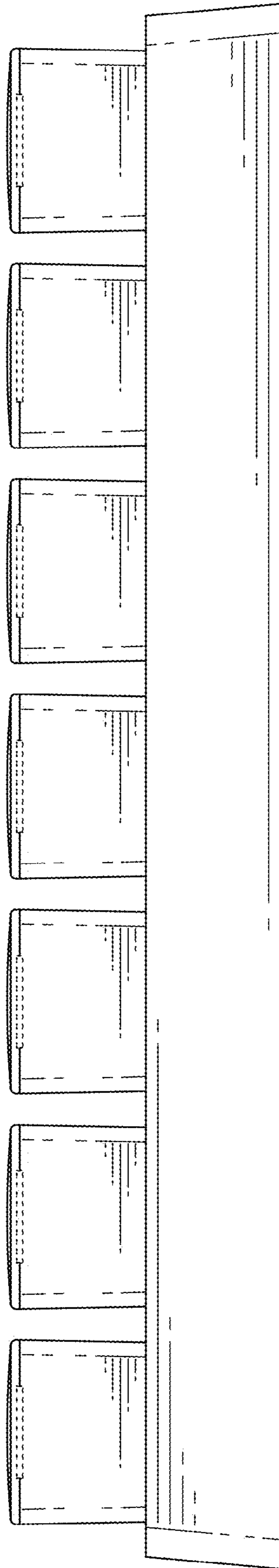


FIG. 3

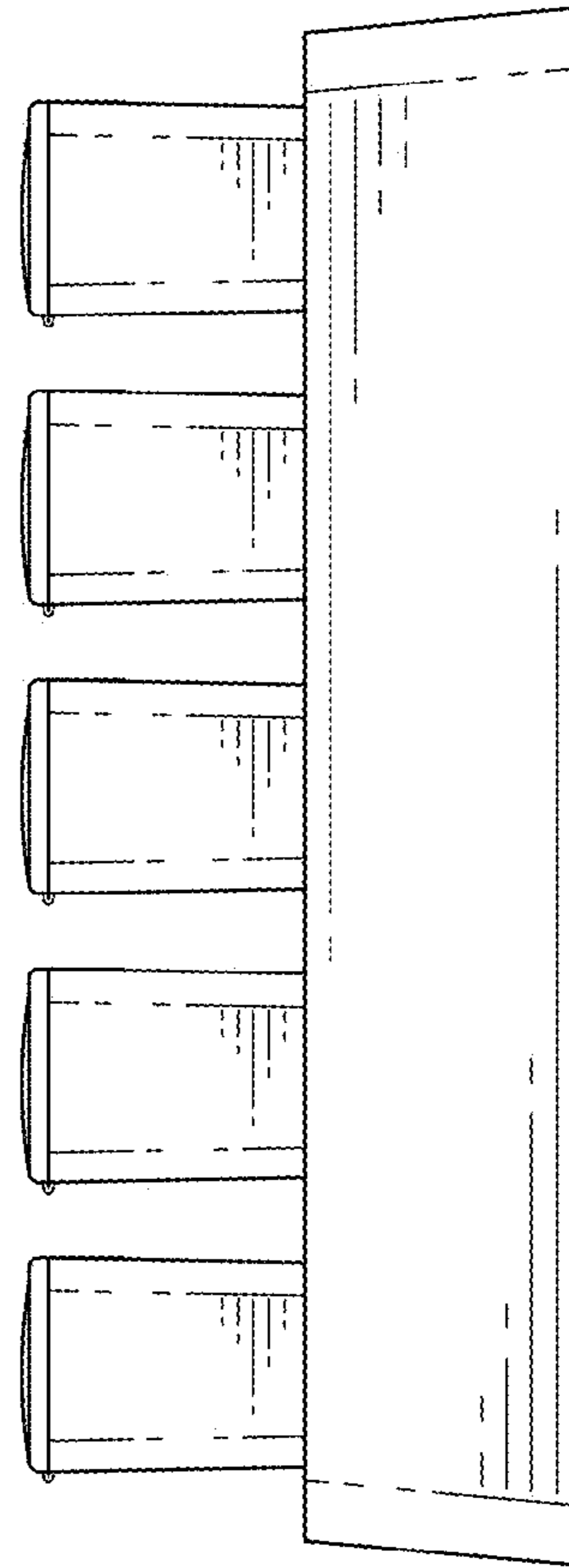


FIG. 4

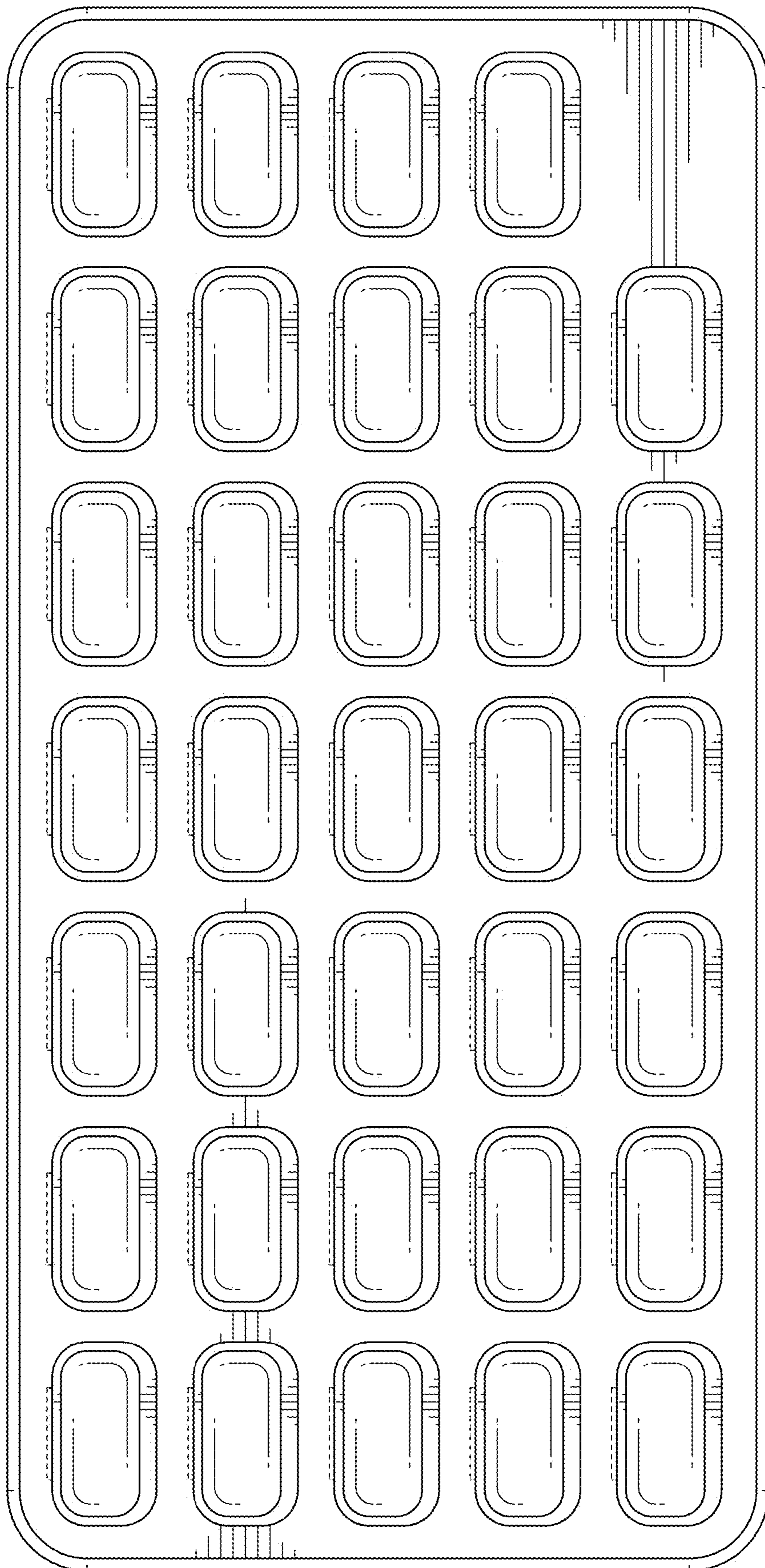


FIG. 5

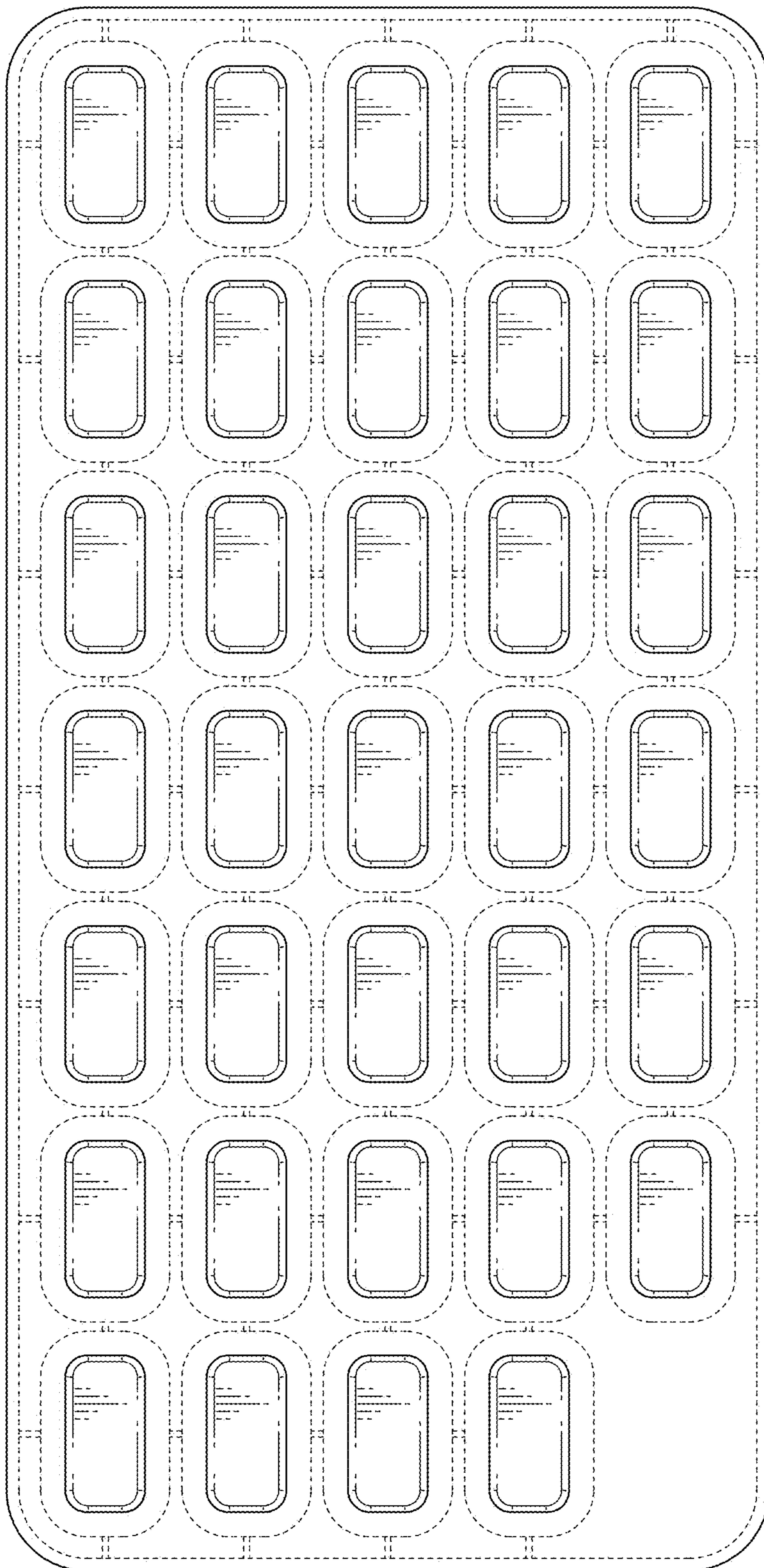


FIG. 6

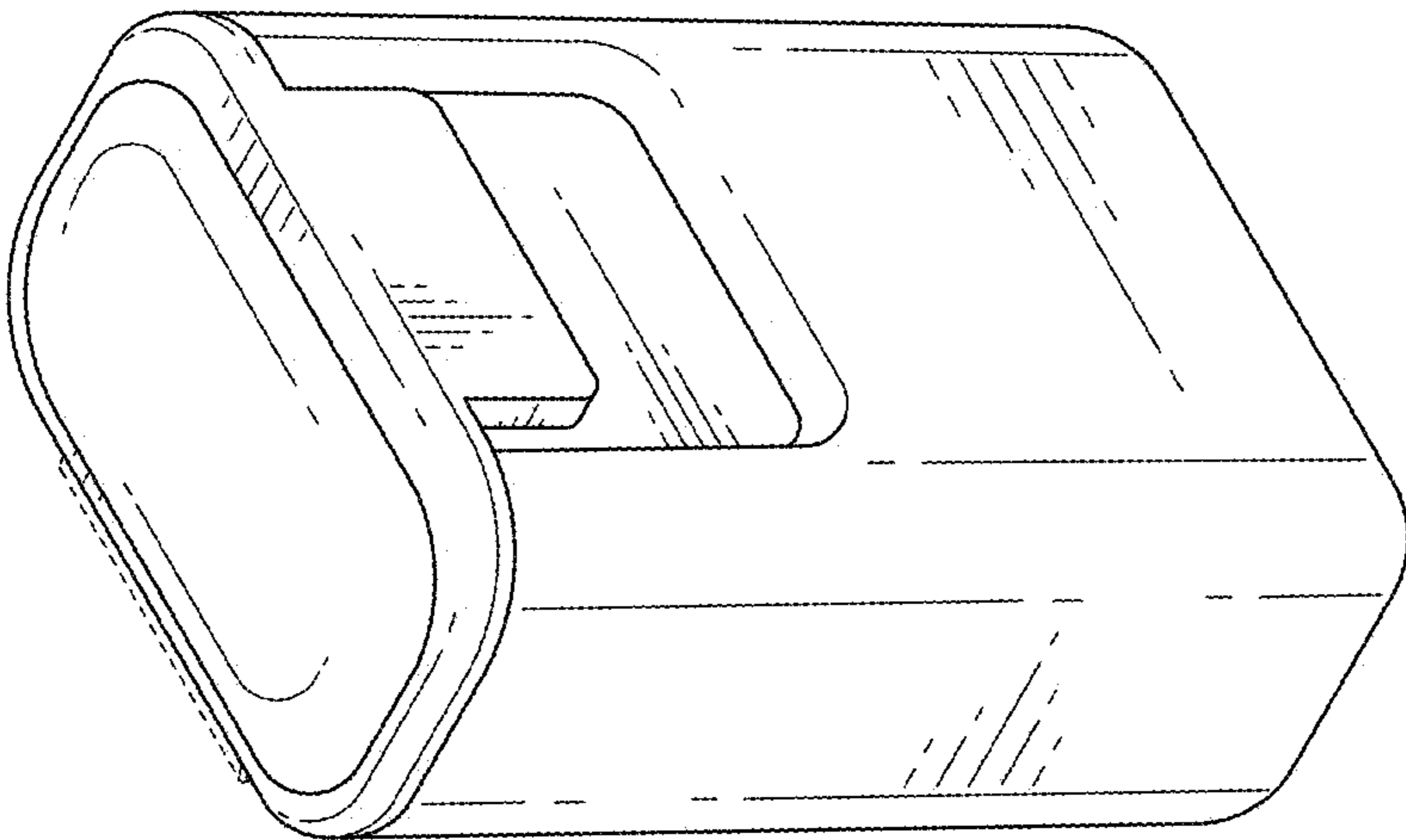


FIG. 7

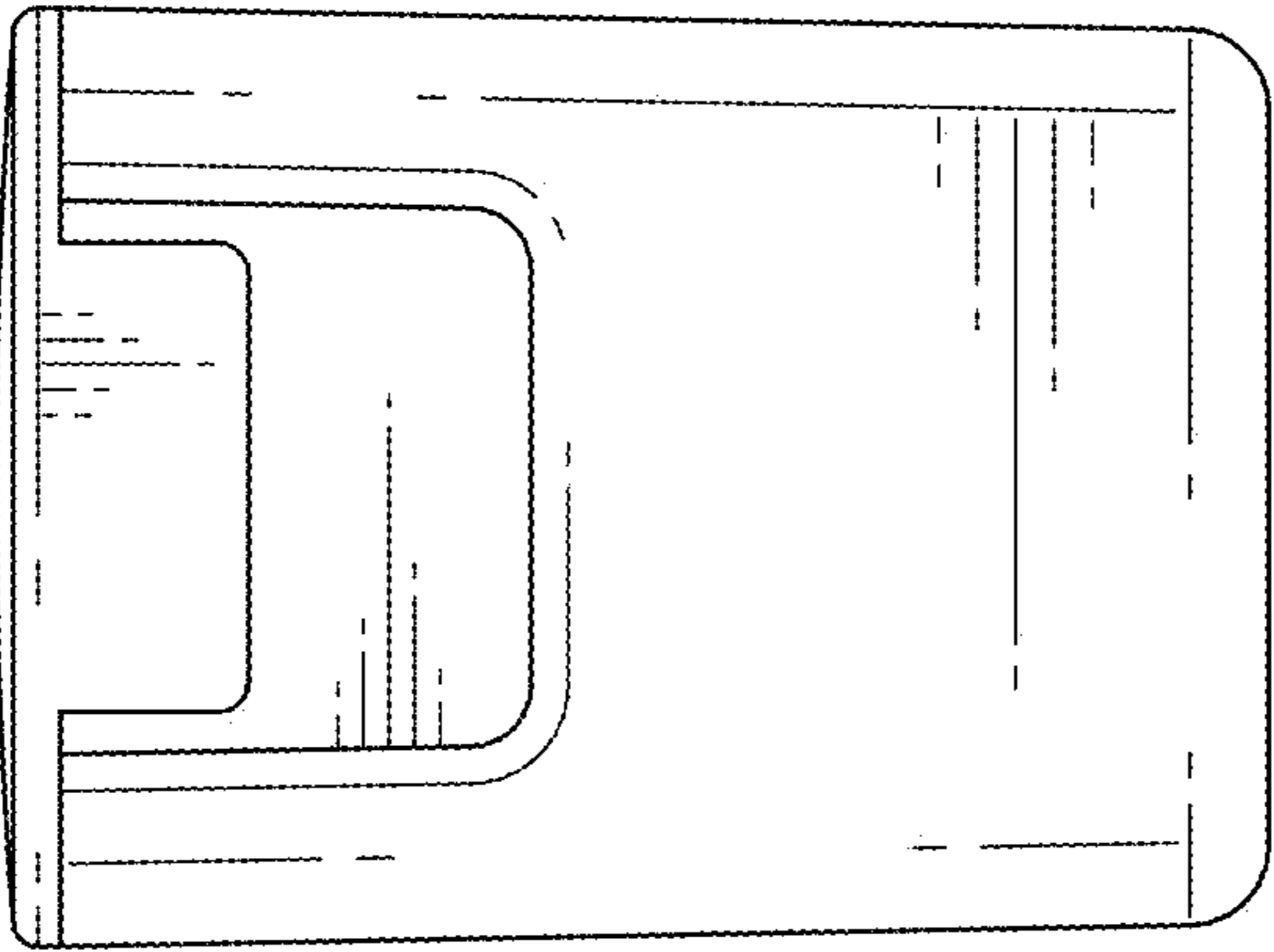


FIG. 8

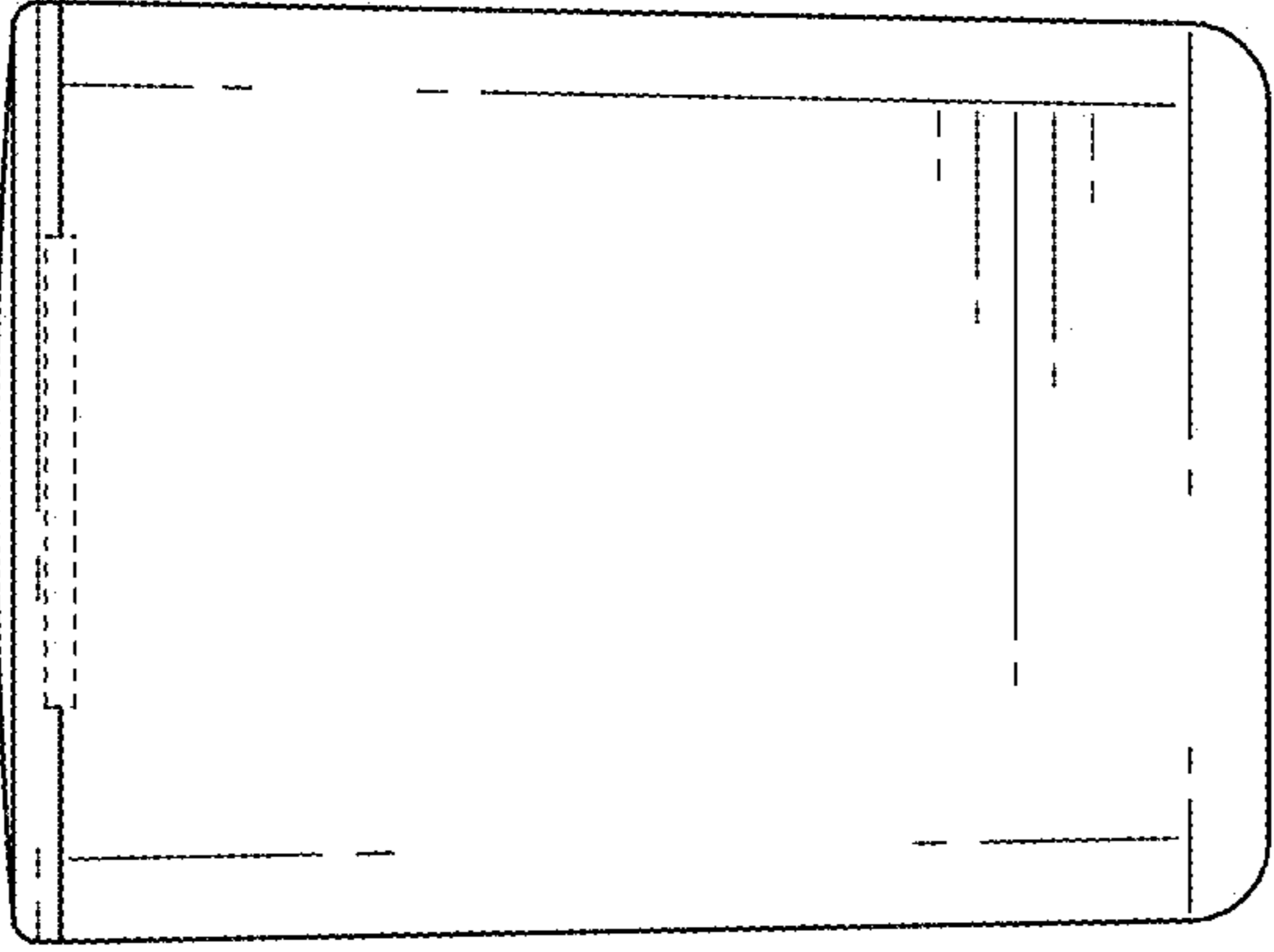


FIG. 9

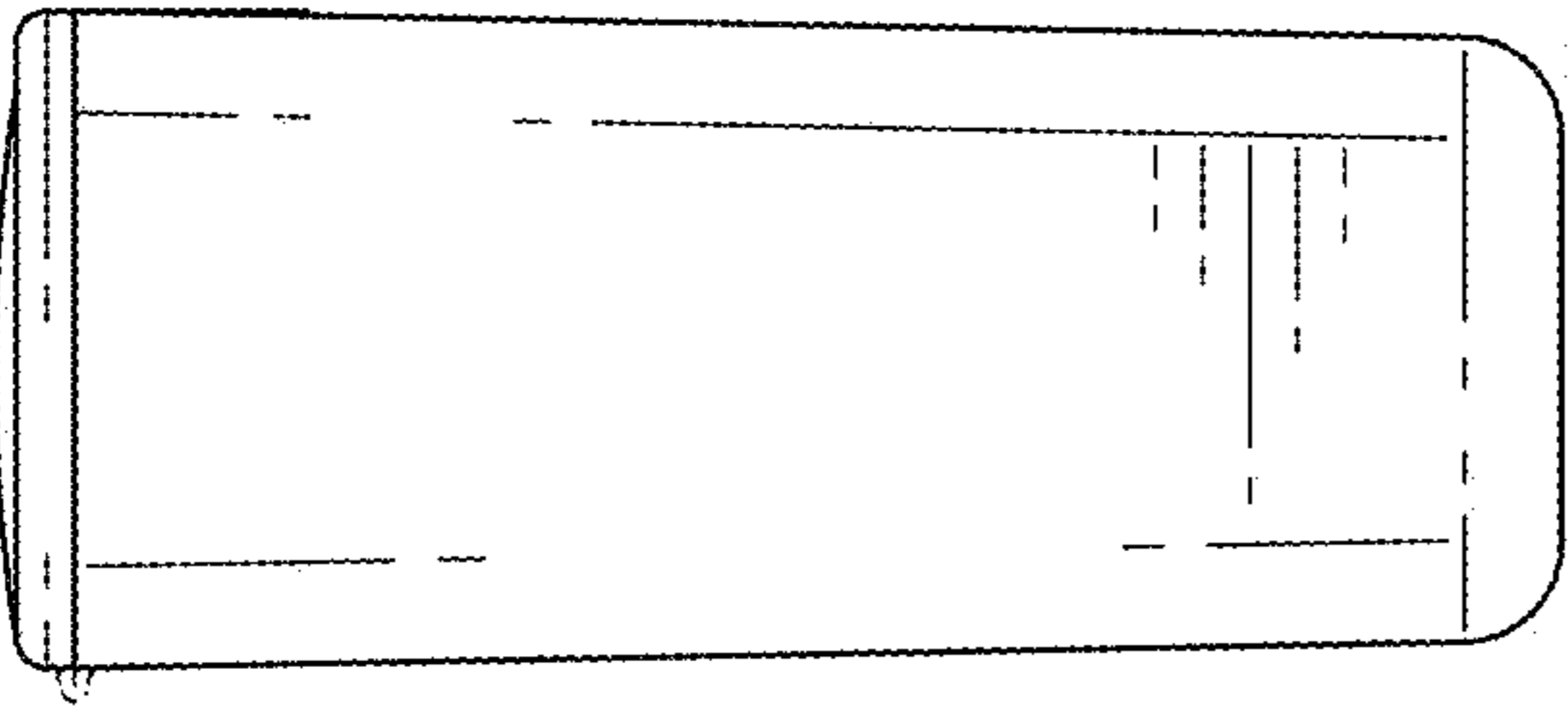


FIG. 10

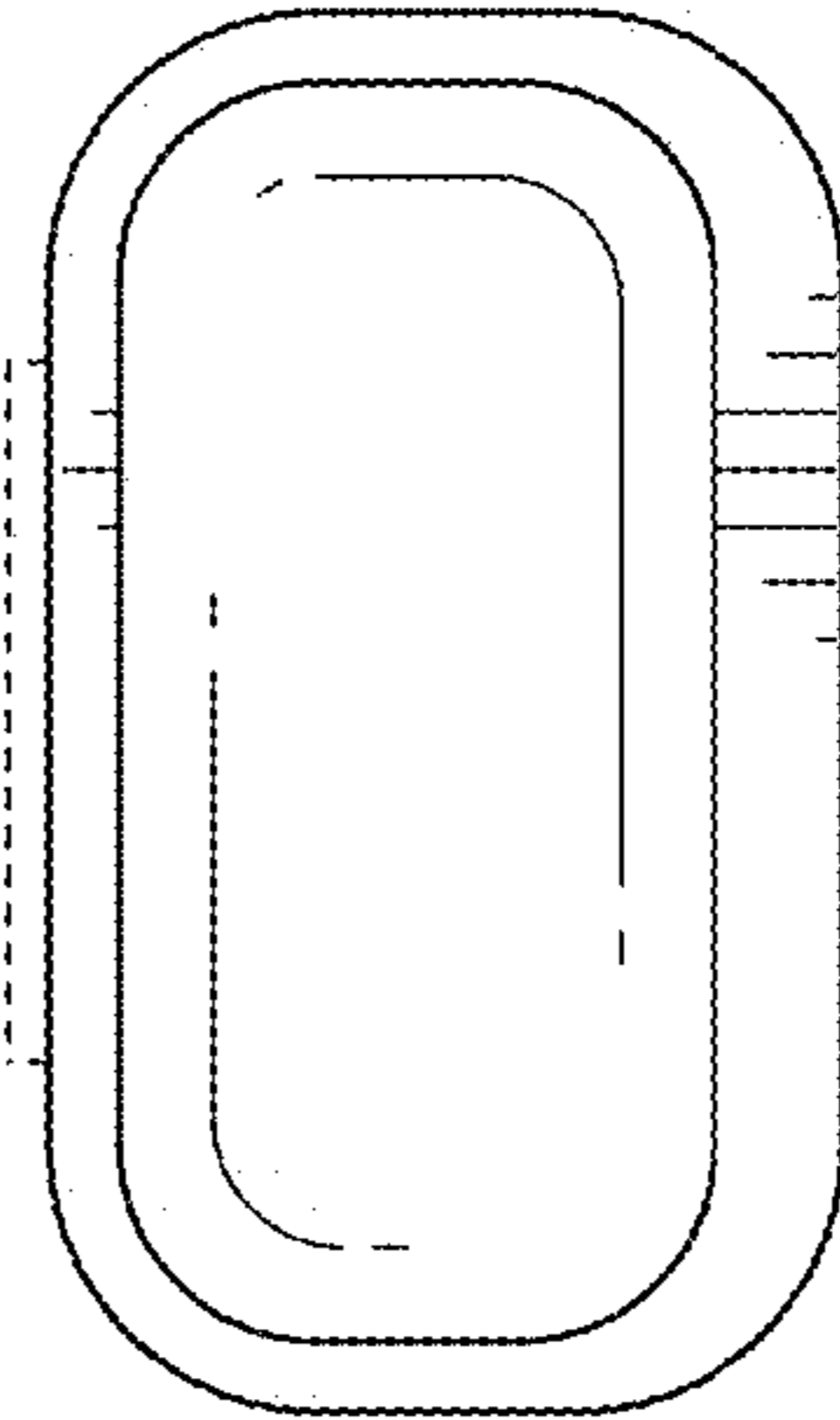


FIG. 11

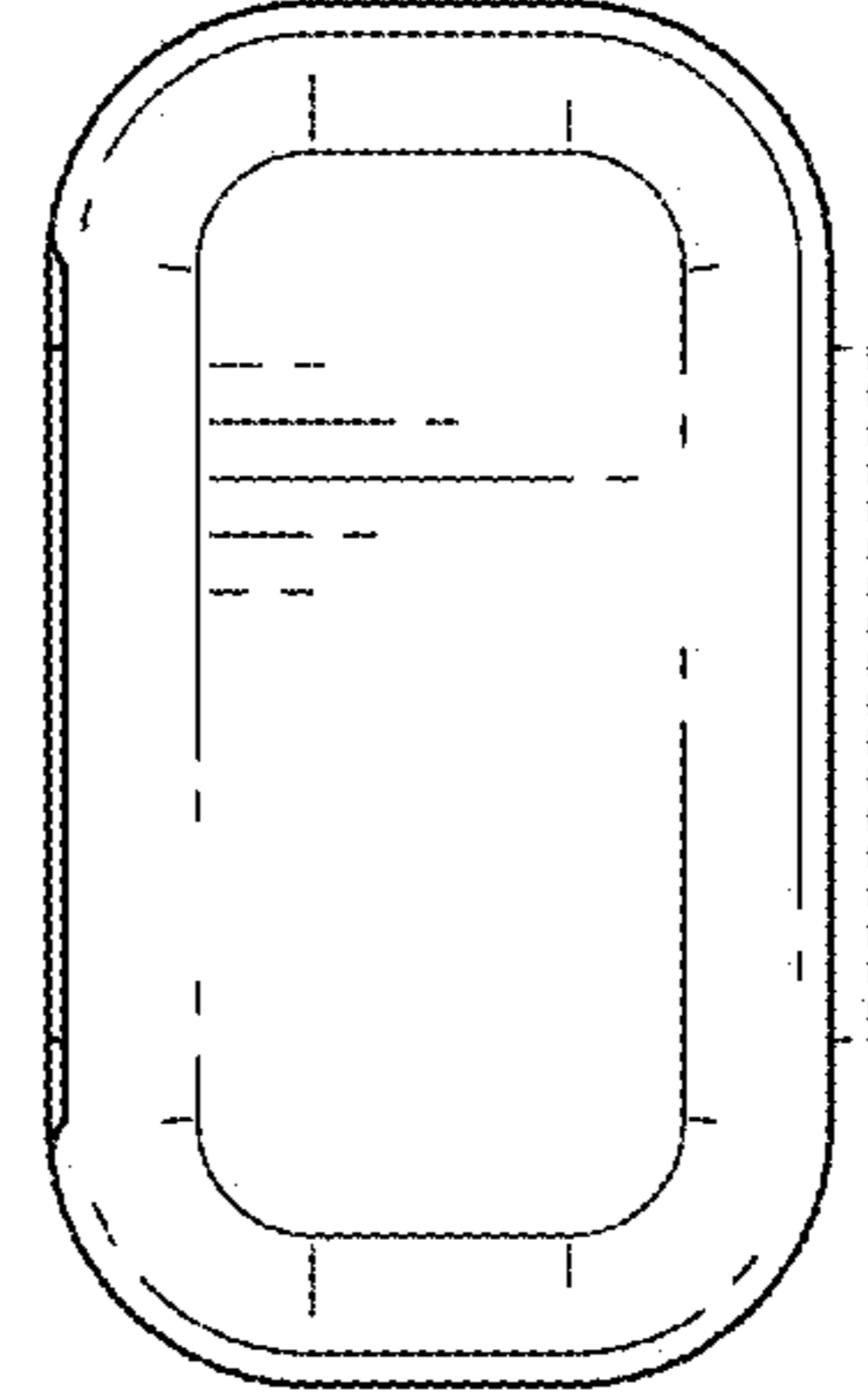


FIG. 12

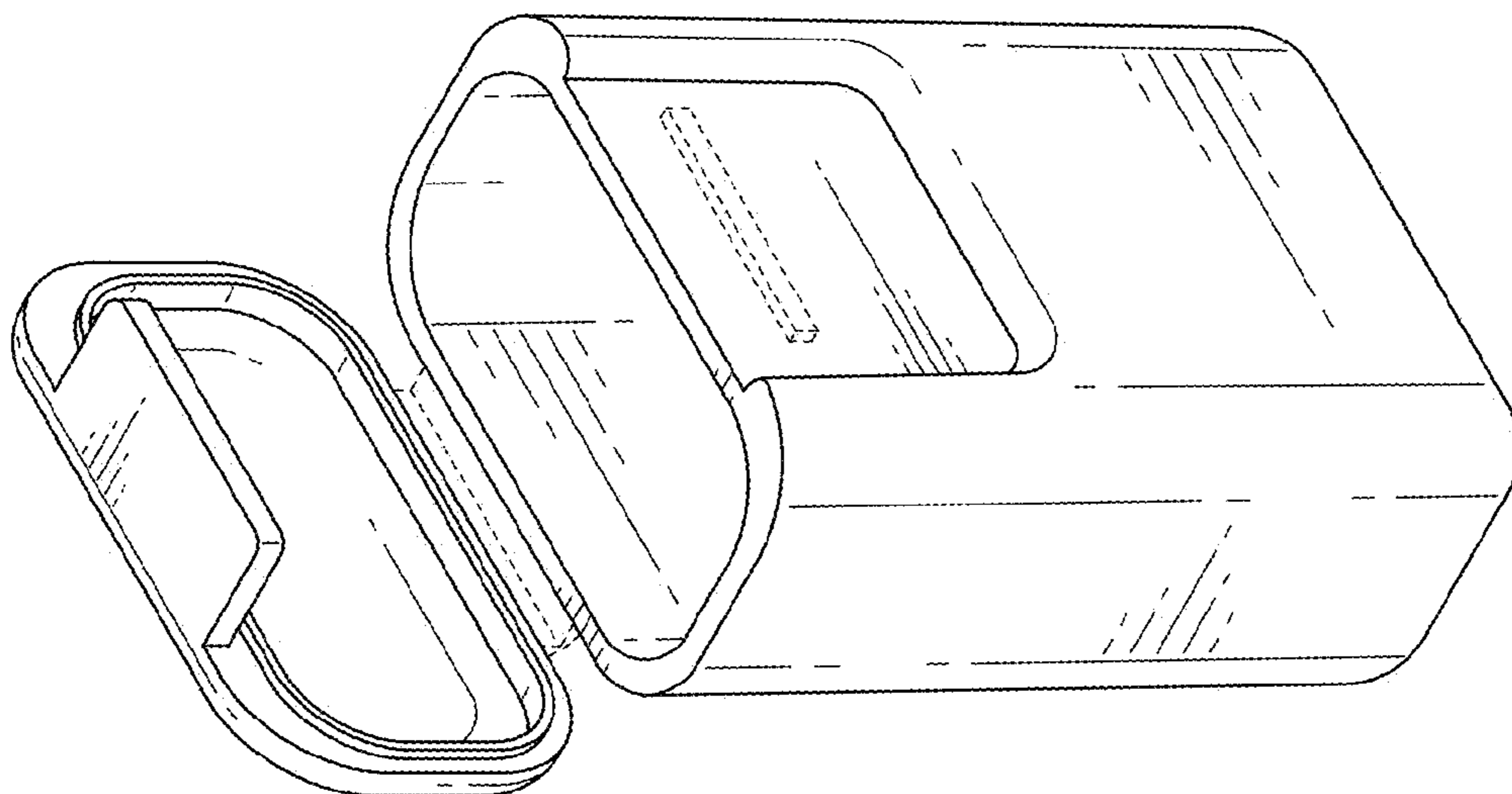


FIG. 13

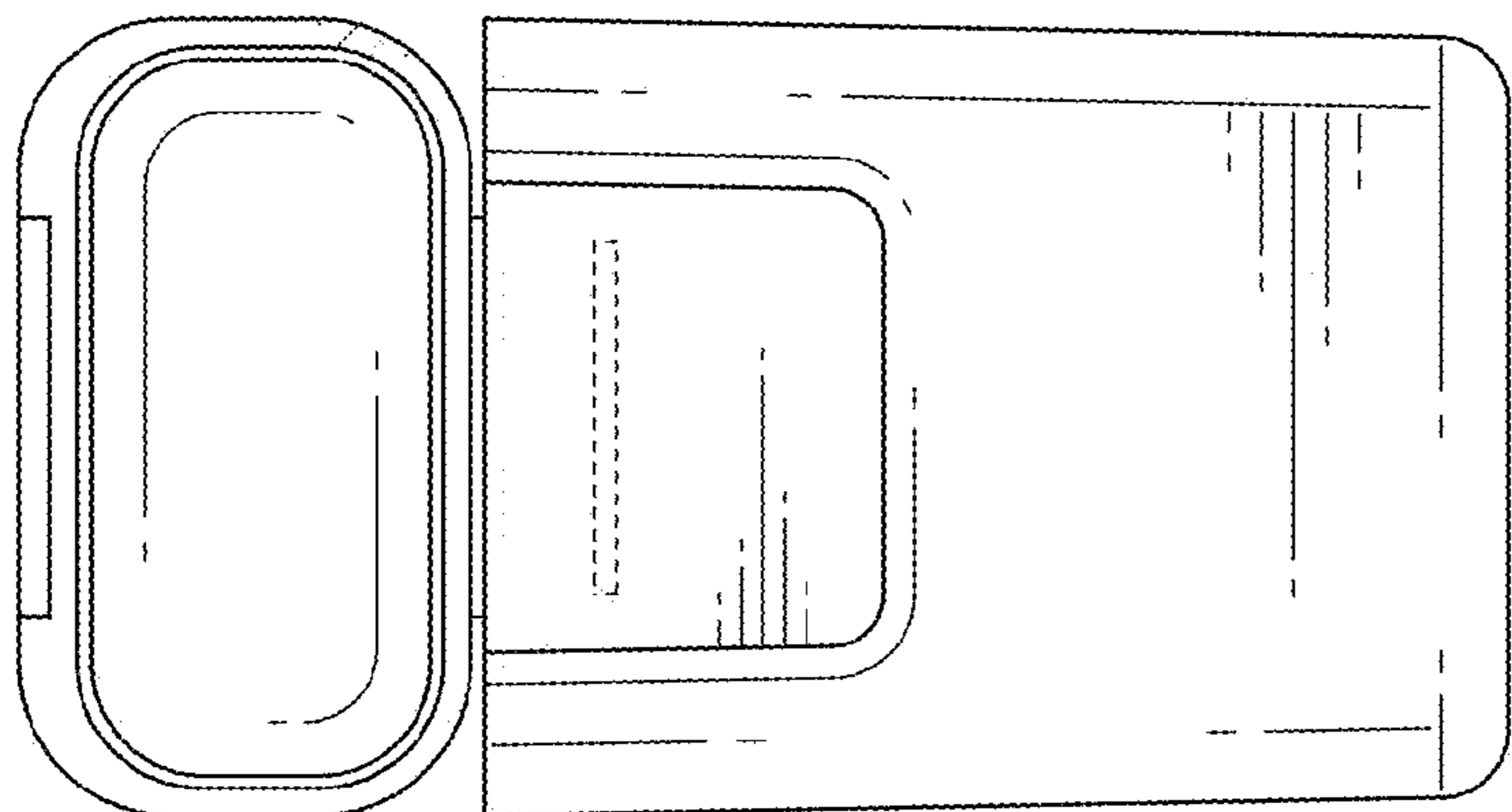


FIG. 14

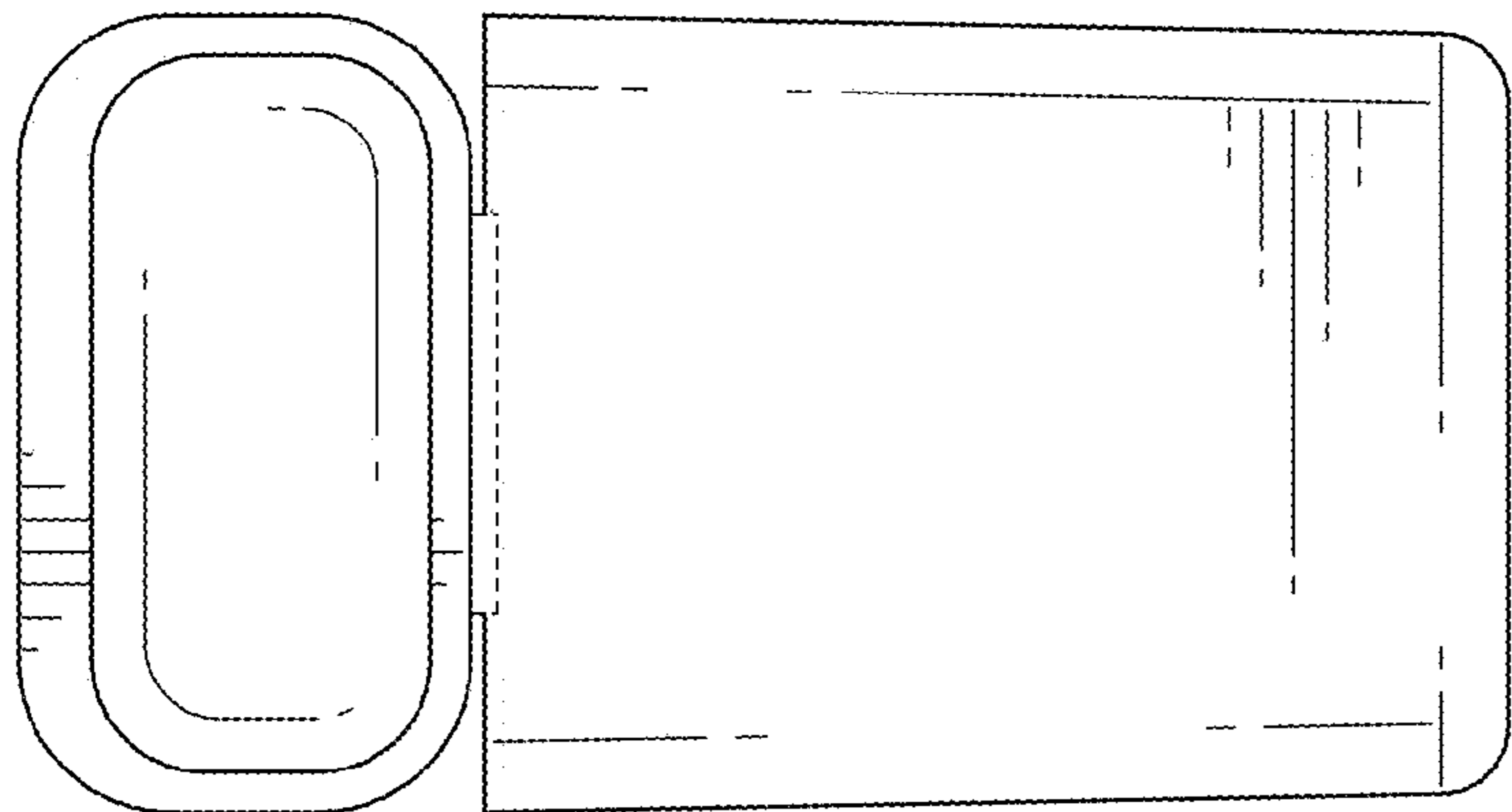


FIG. 15

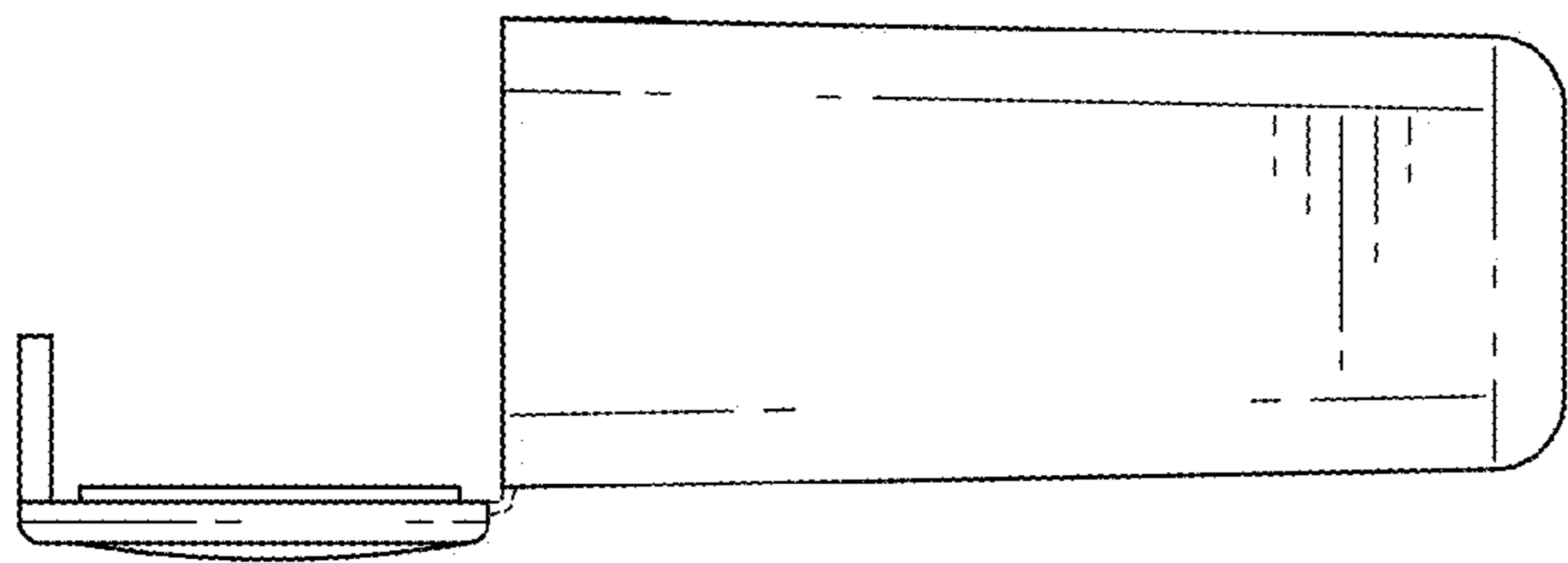


FIG. 16

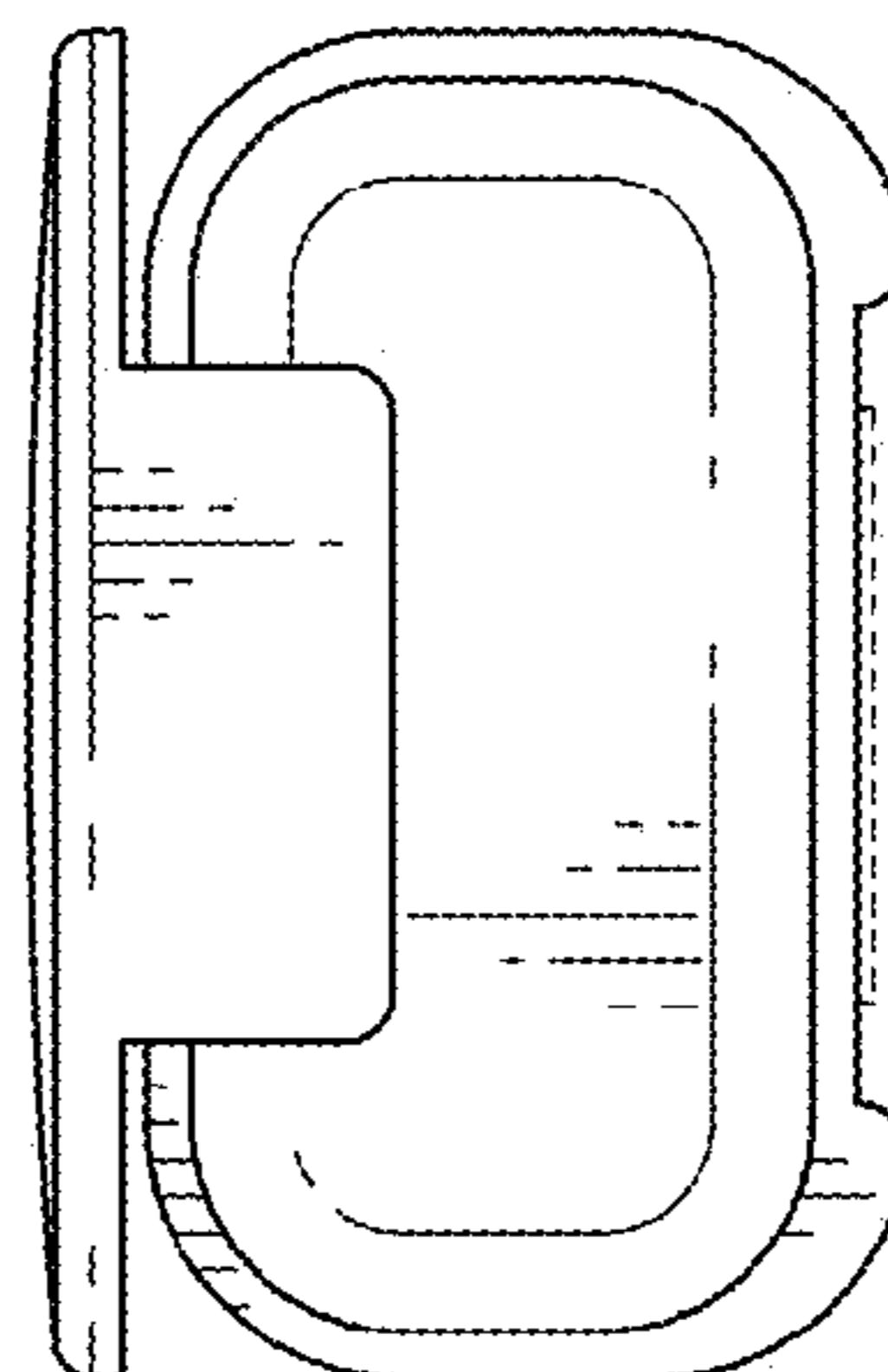


FIG. 17

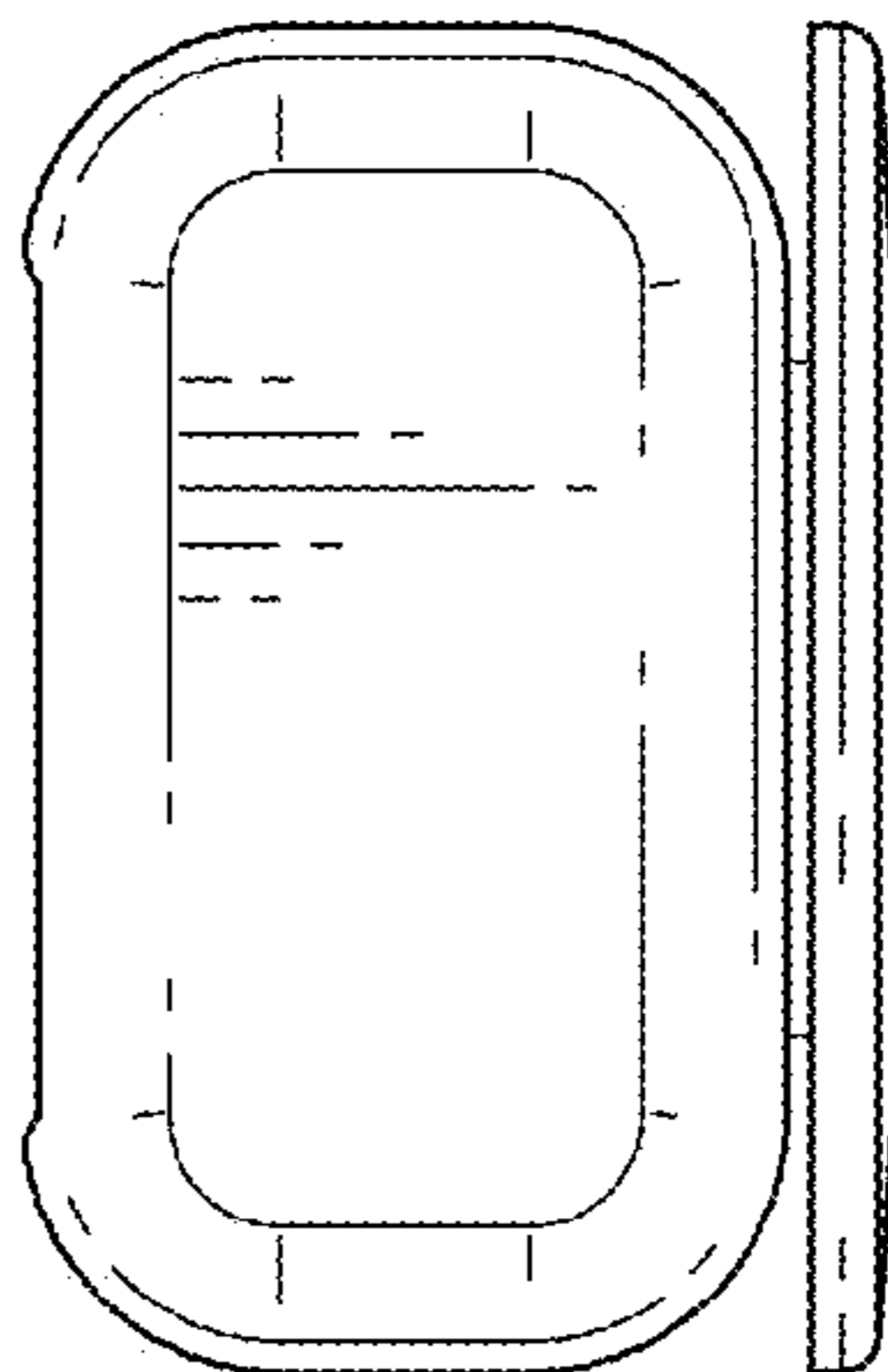


FIG. 18

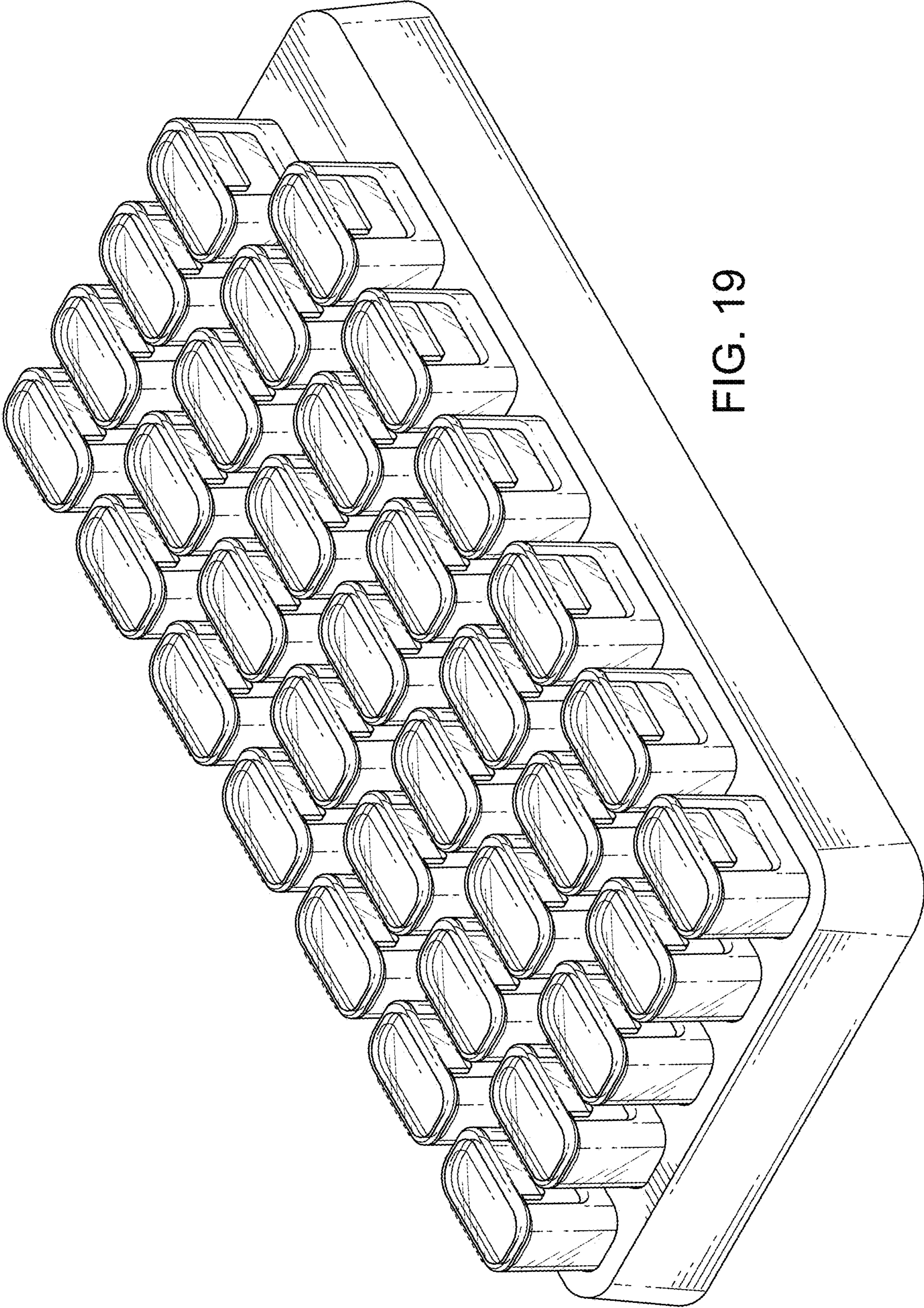


FIG. 19

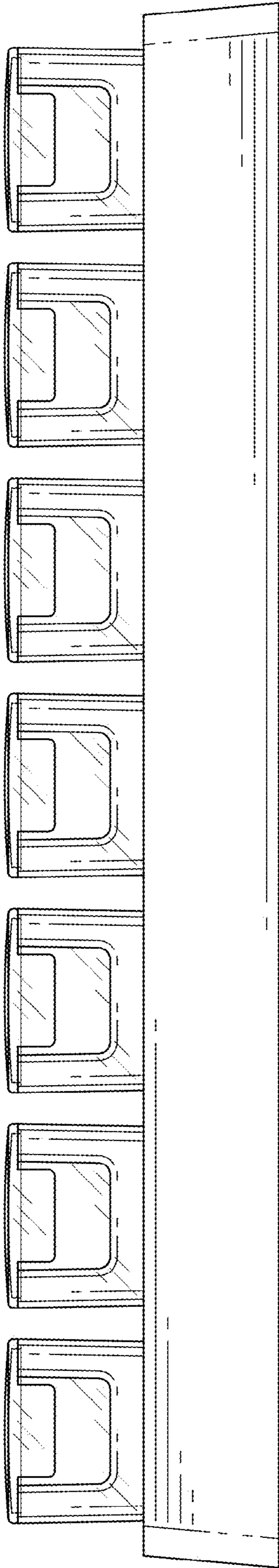


FIG. 20

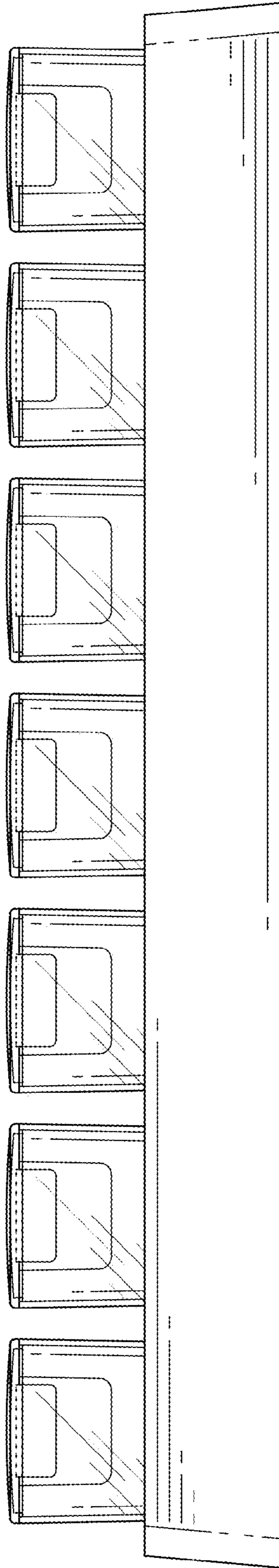


FIG. 21

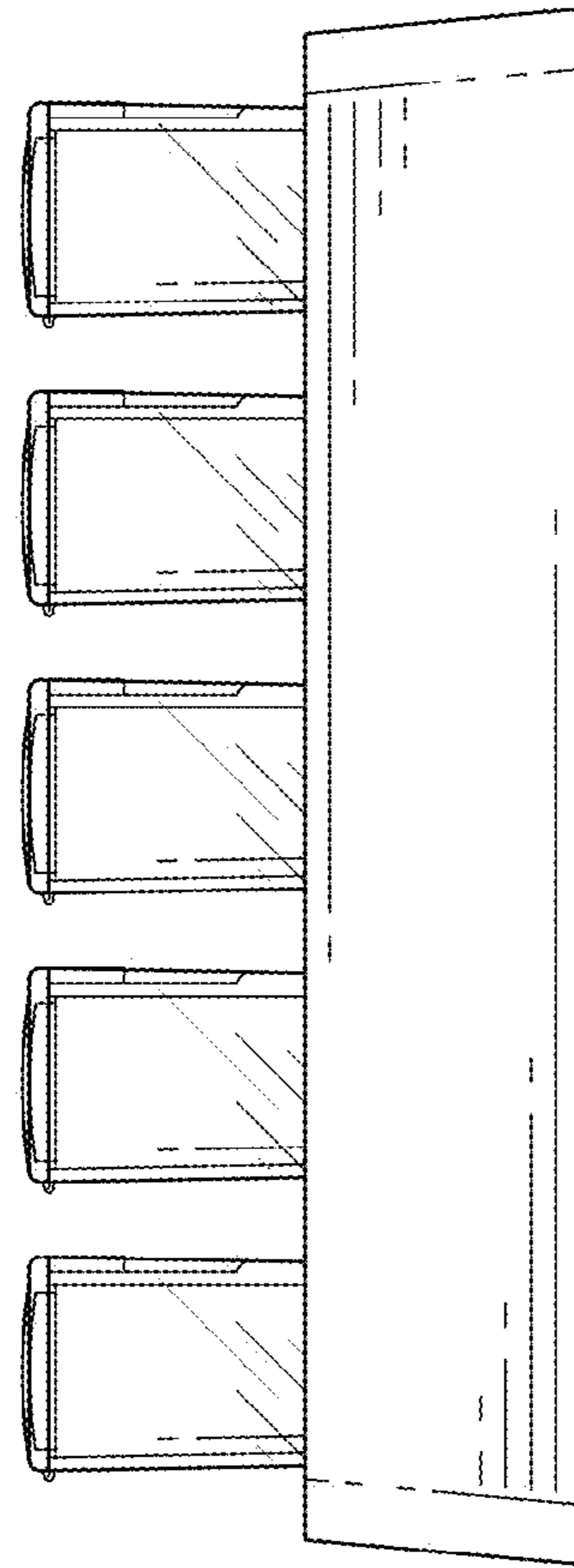


FIG. 22

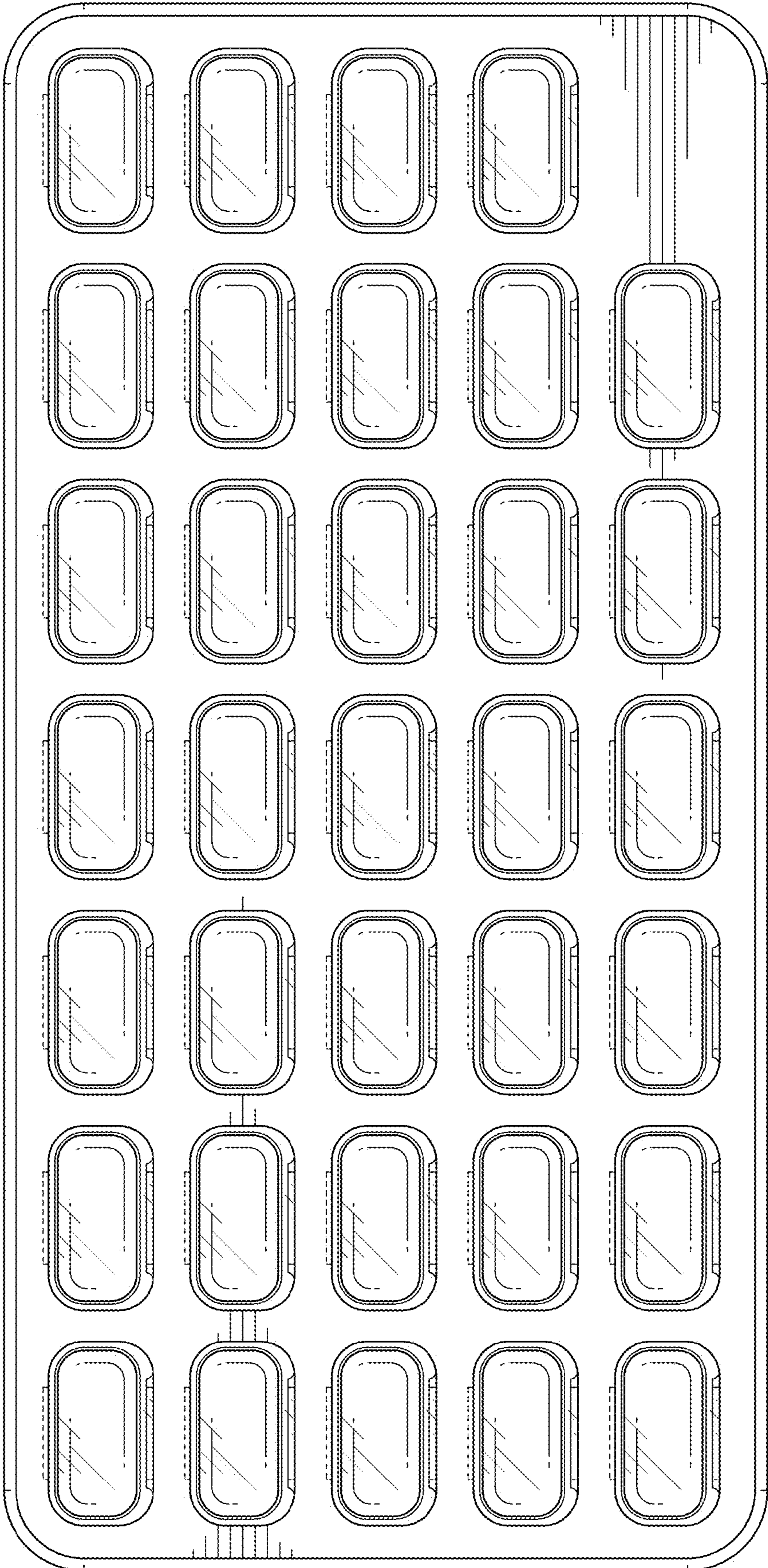


FIG. 23

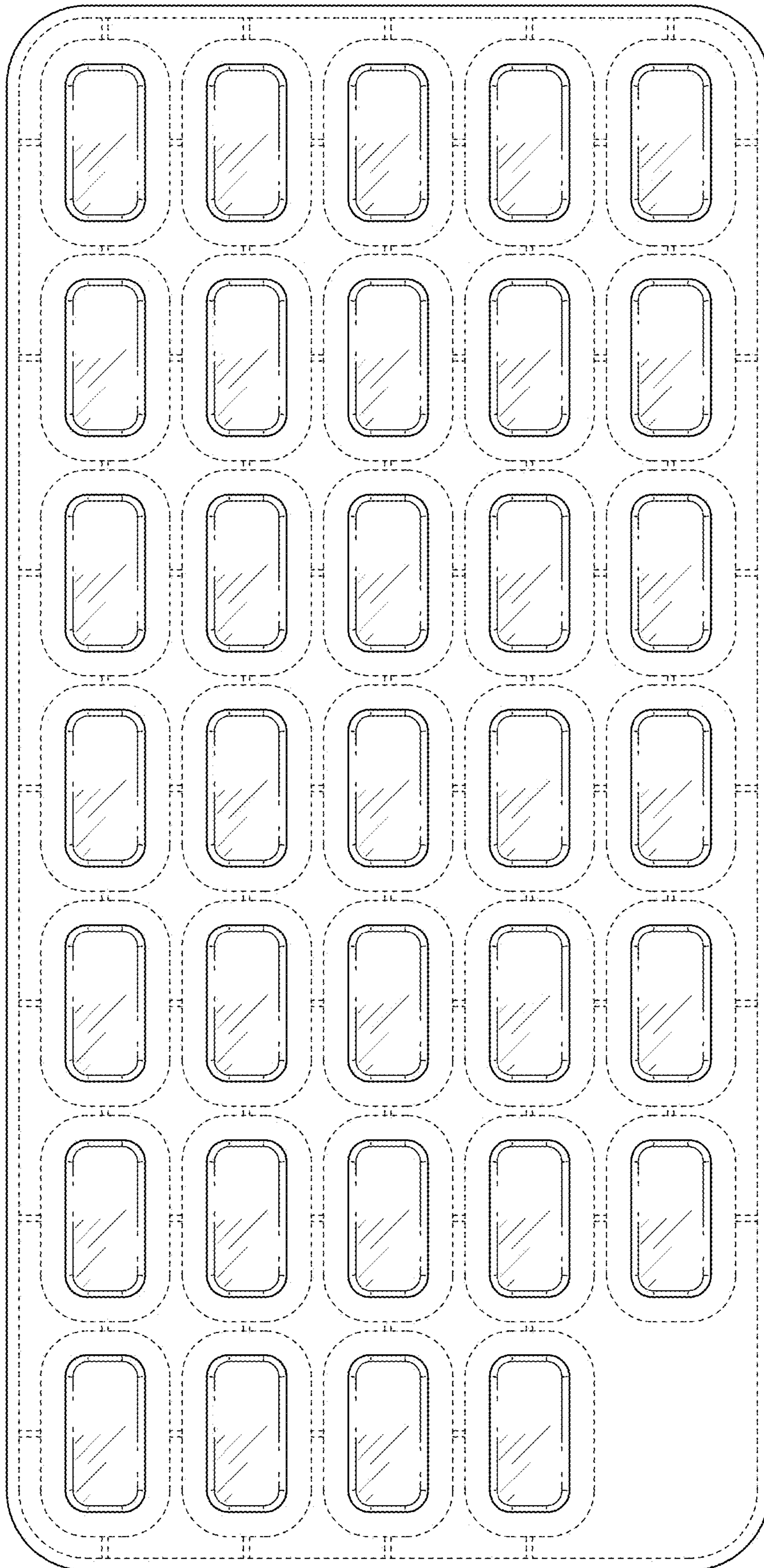


FIG. 24

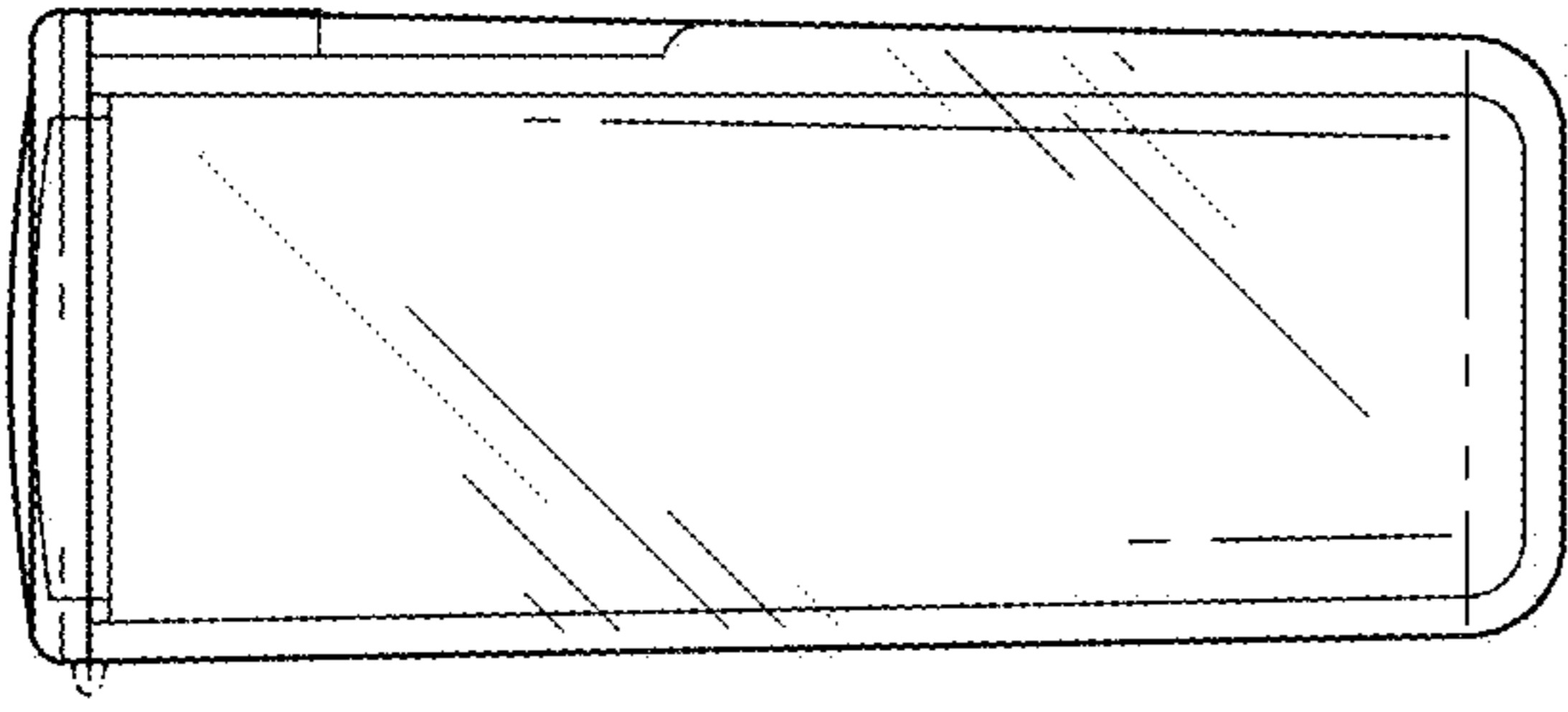


FIG. 28

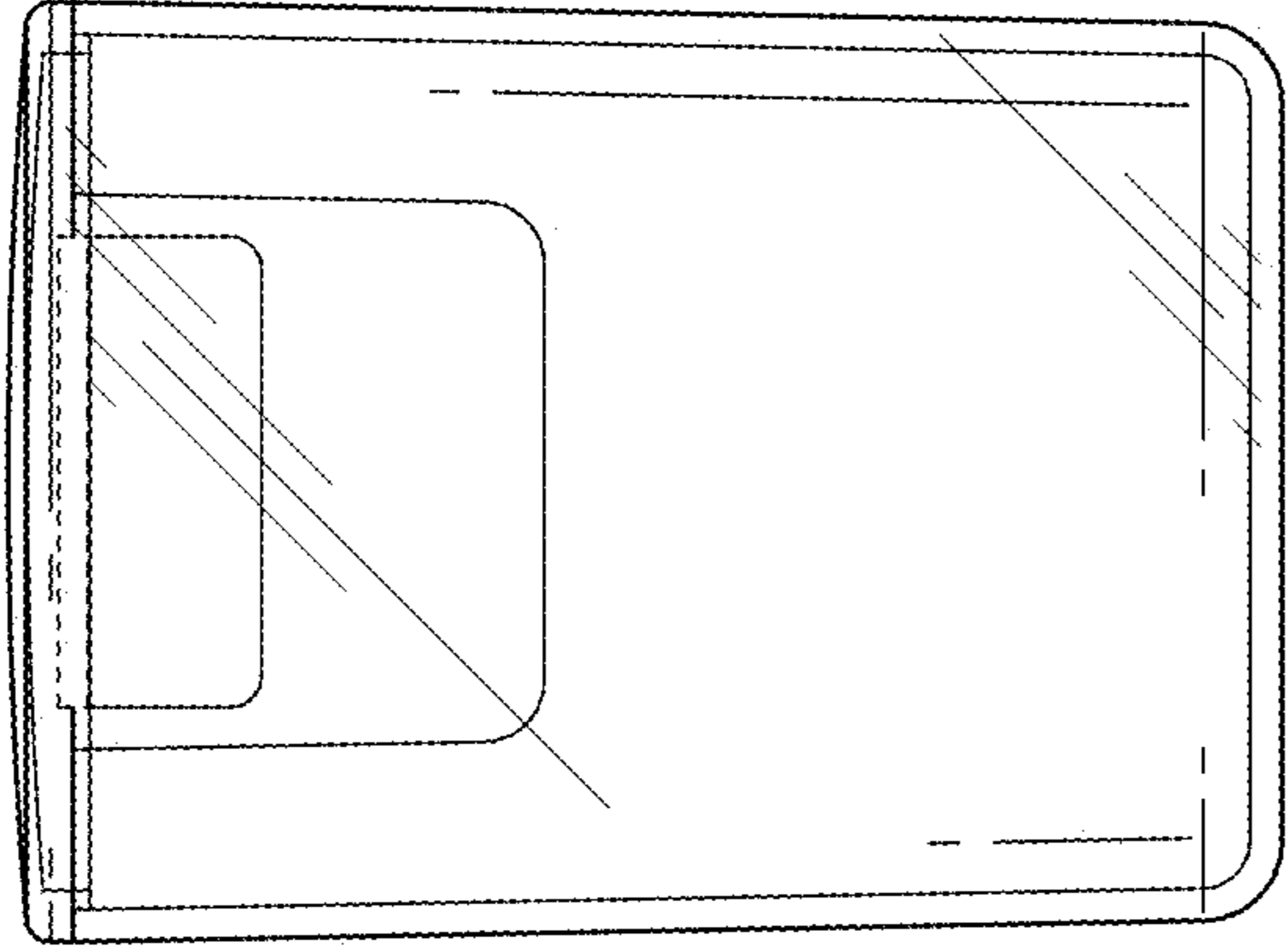


FIG. 27

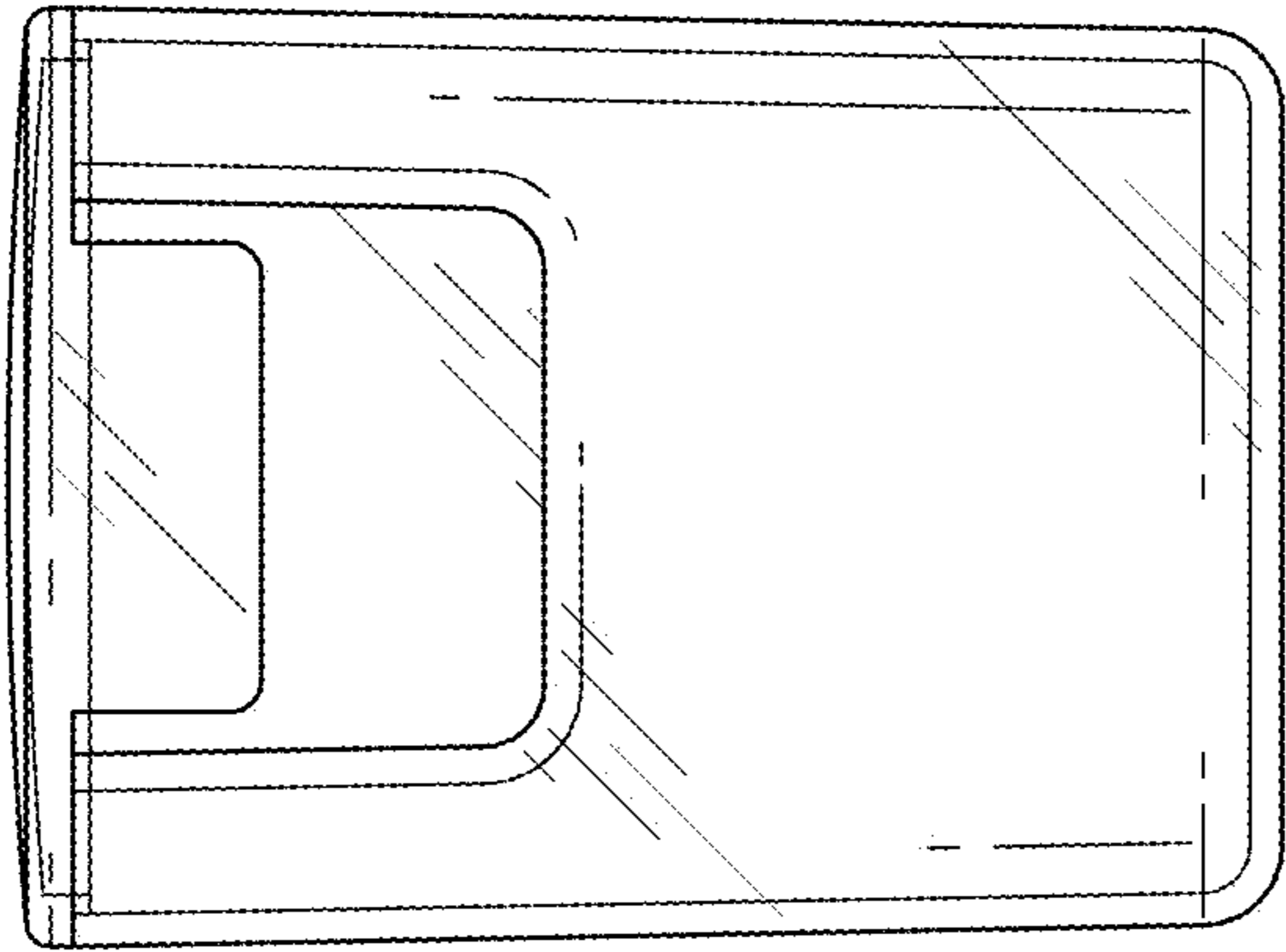


FIG. 26

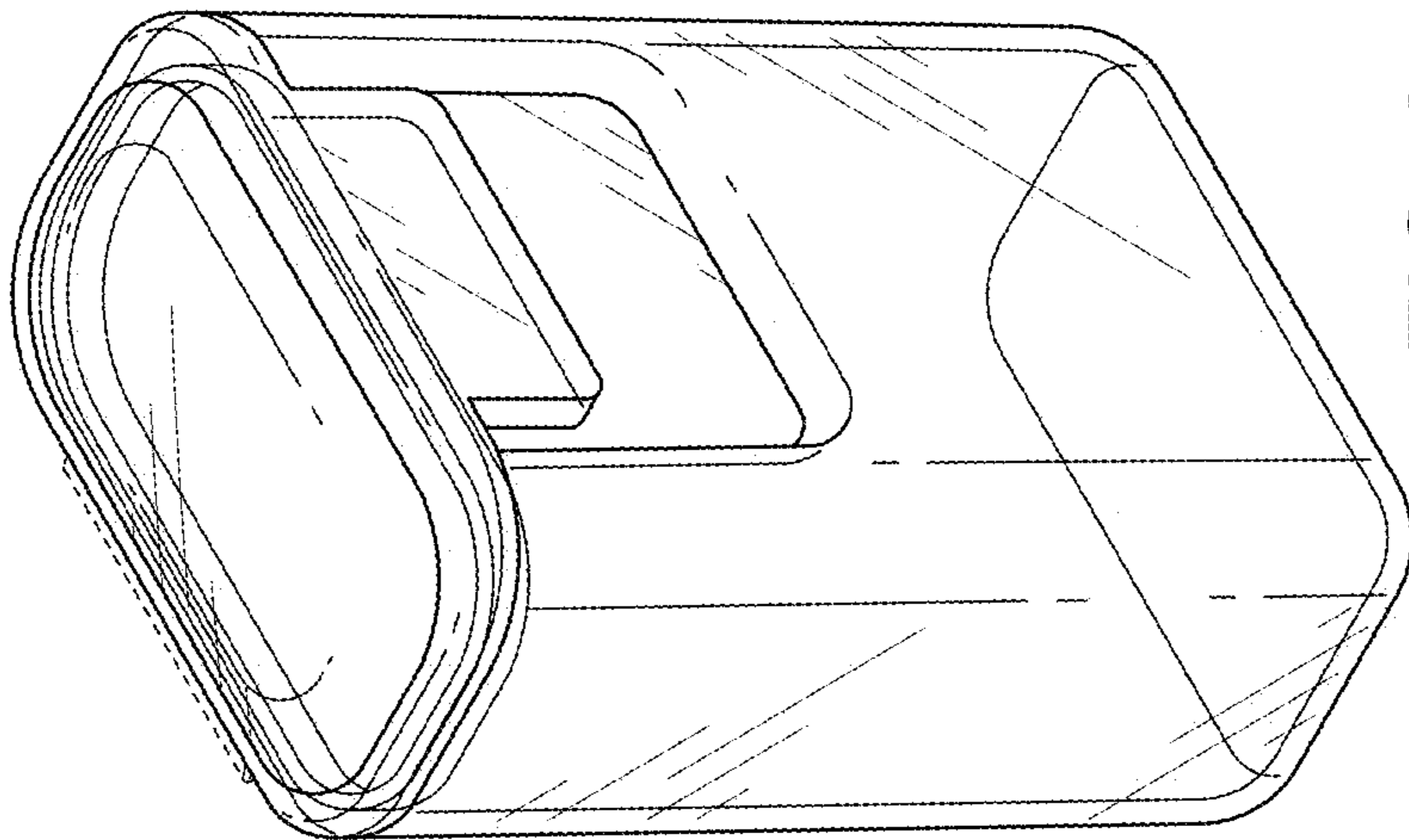


FIG. 25

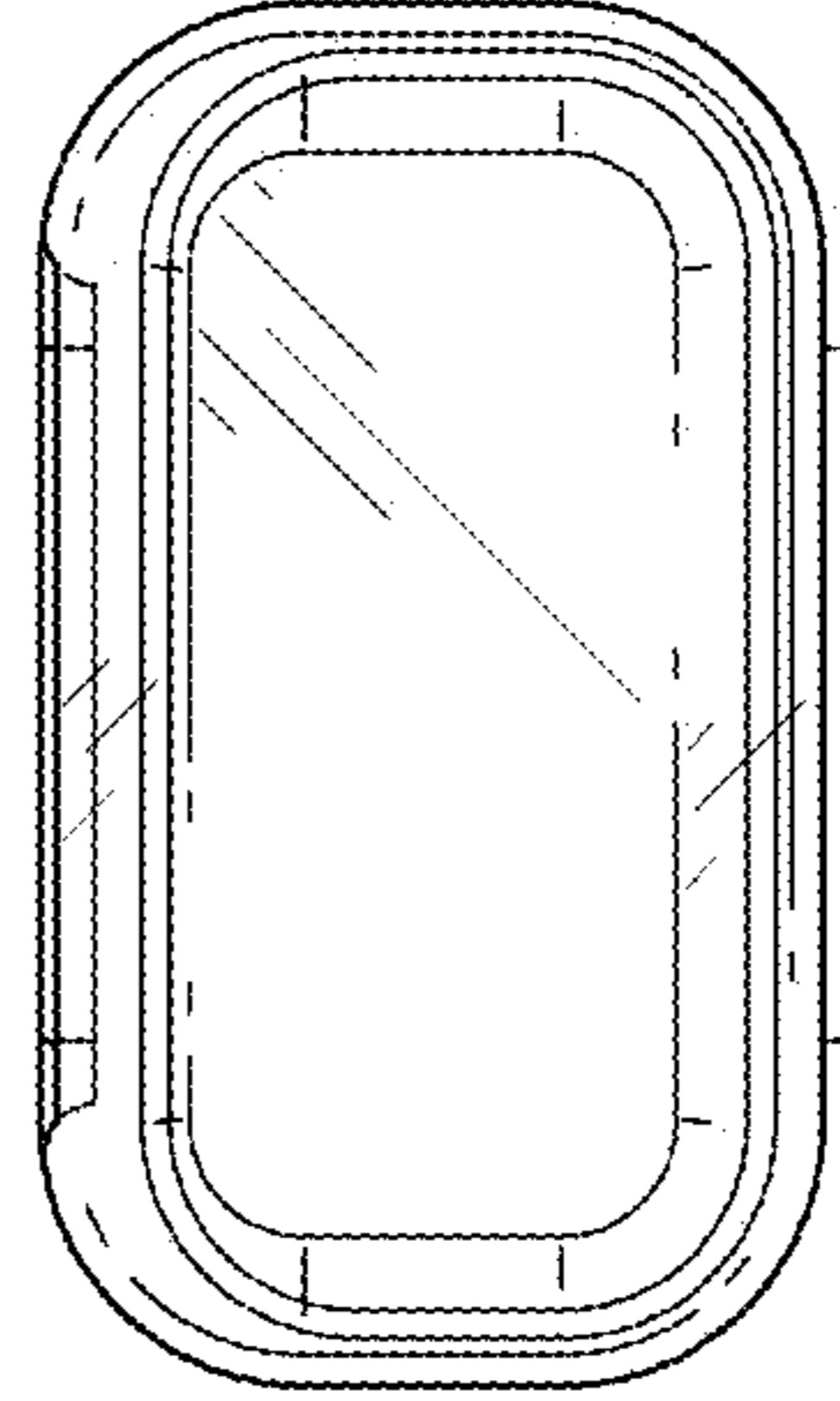


FIG. 30

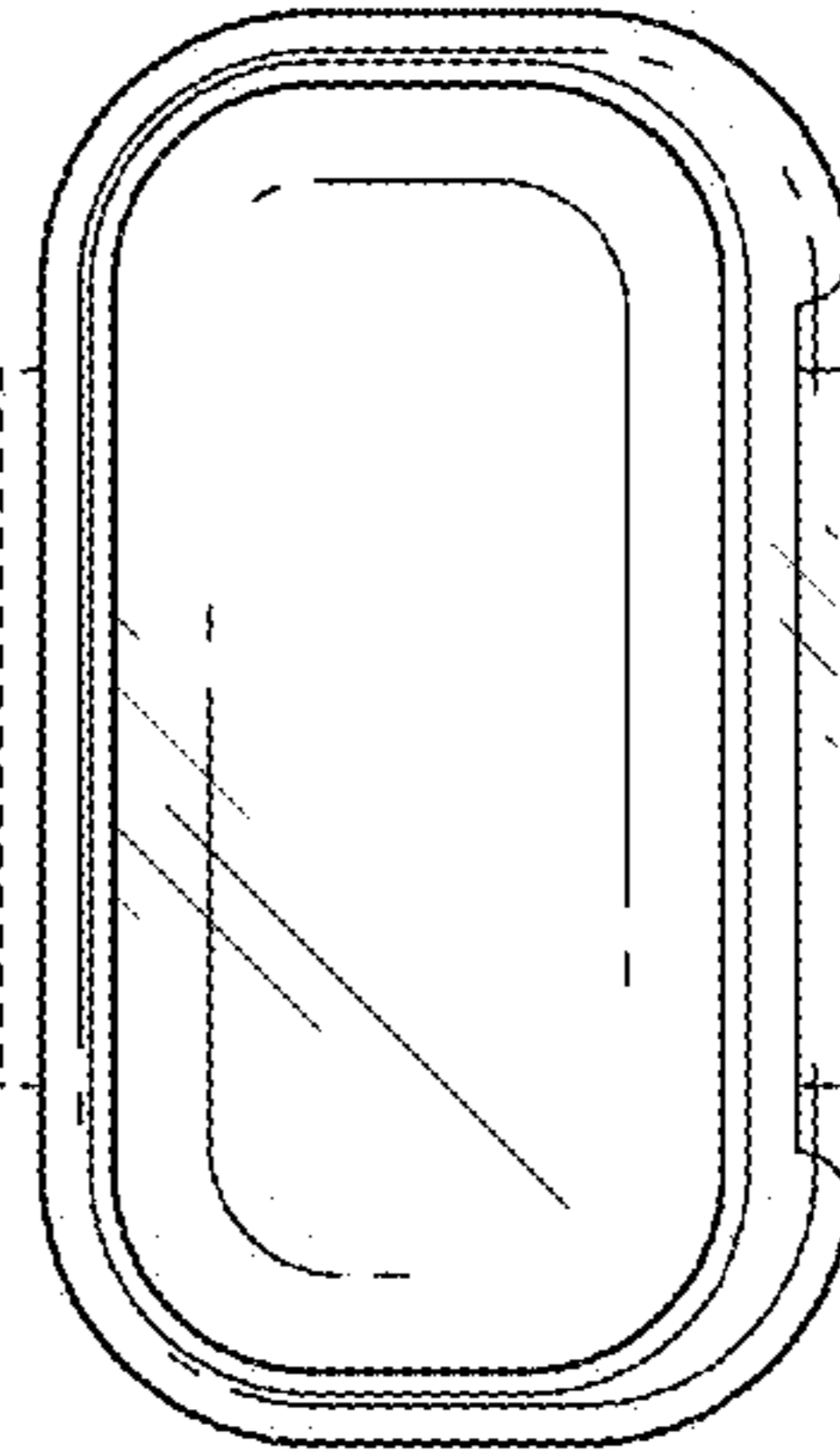


FIG. 29

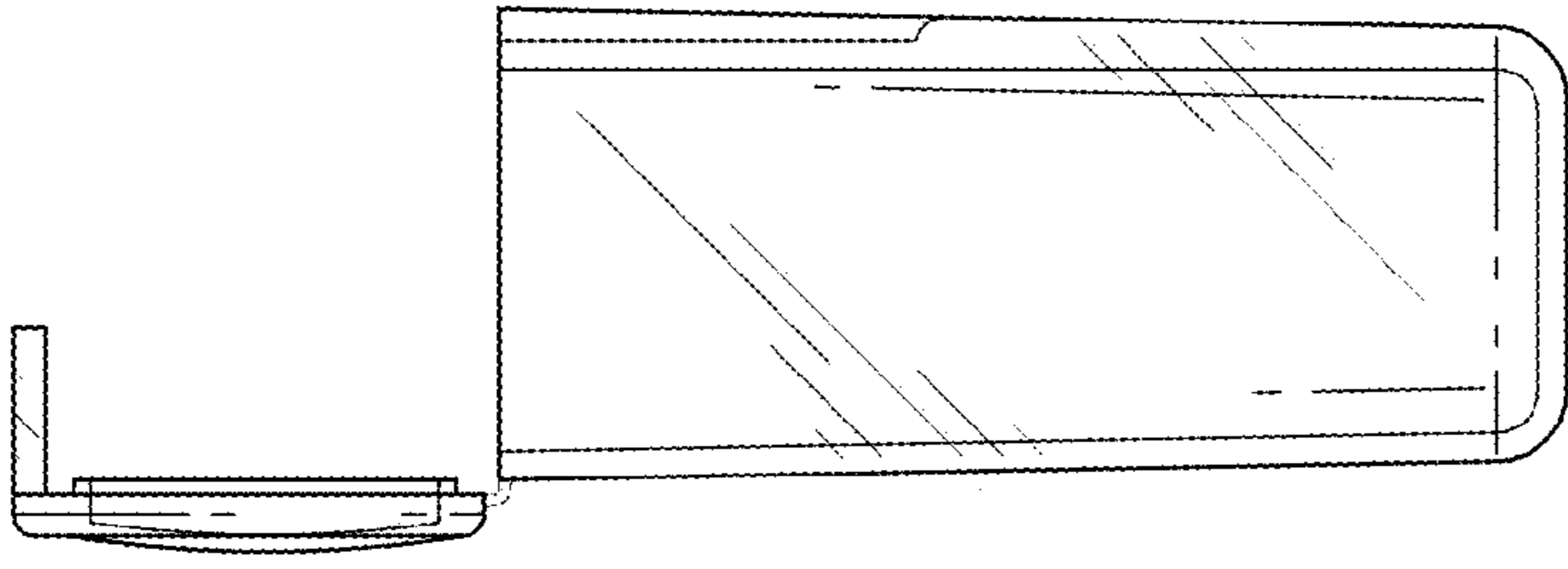


FIG. 34

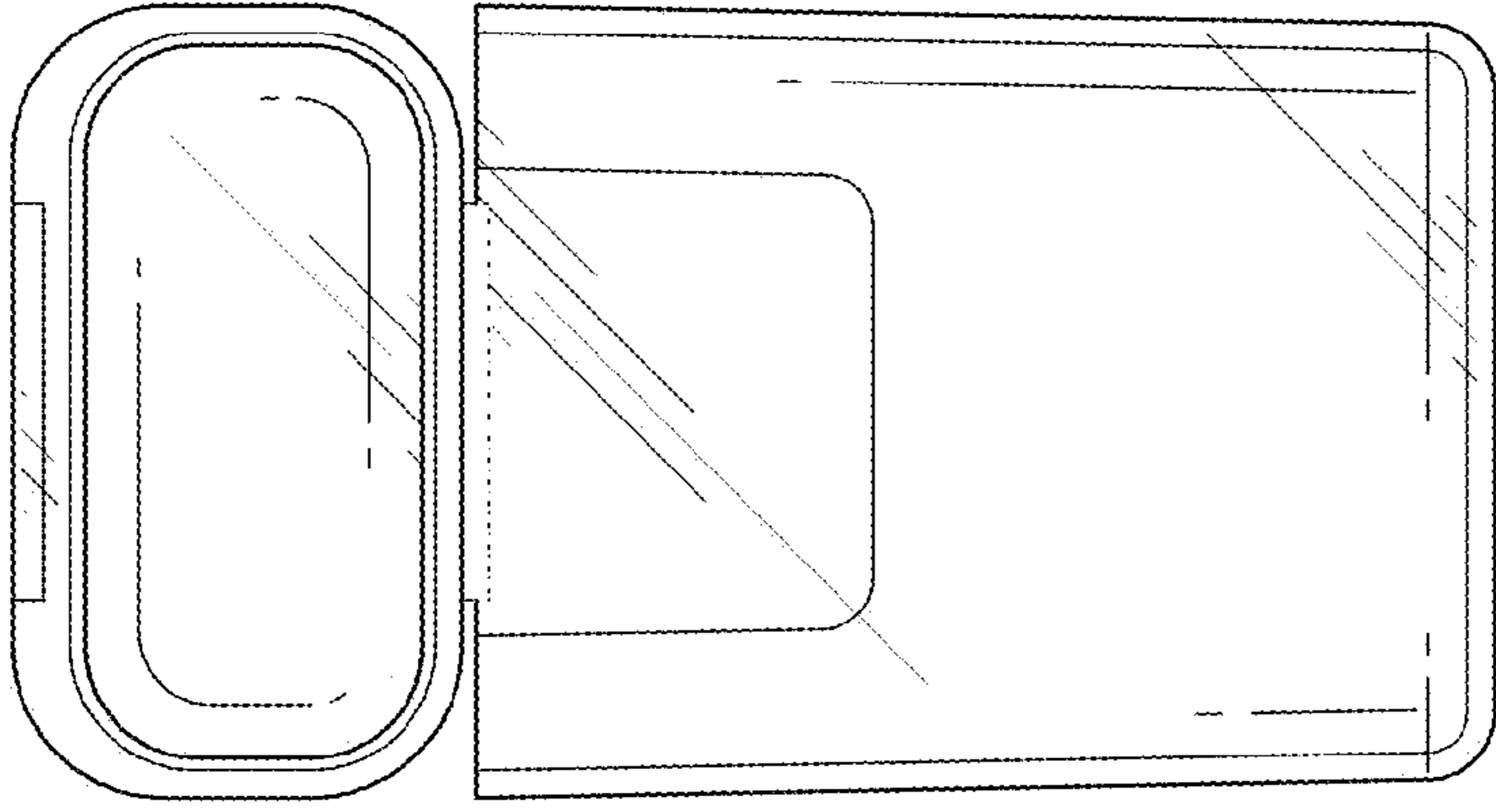


FIG. 33

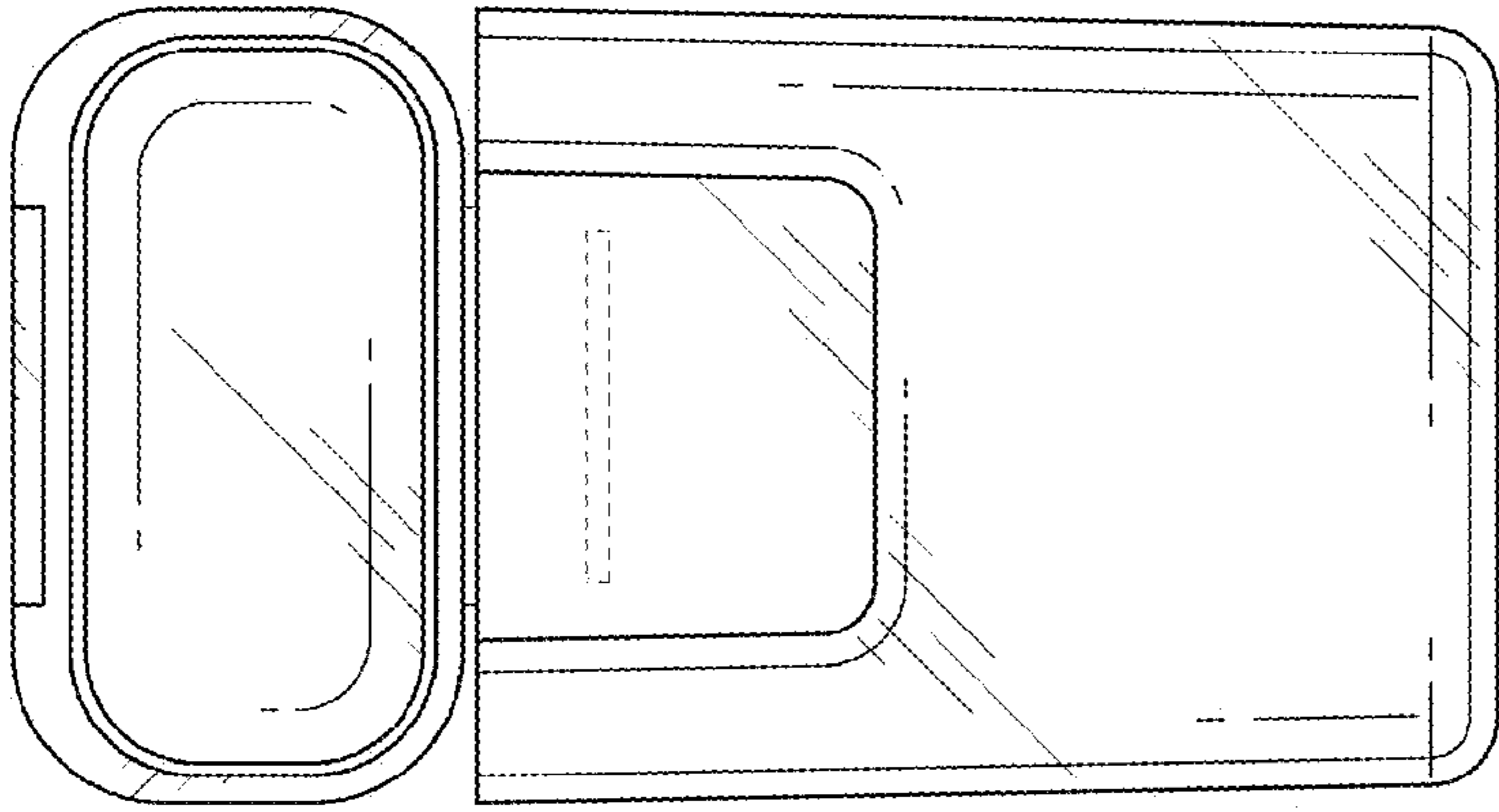


FIG. 32

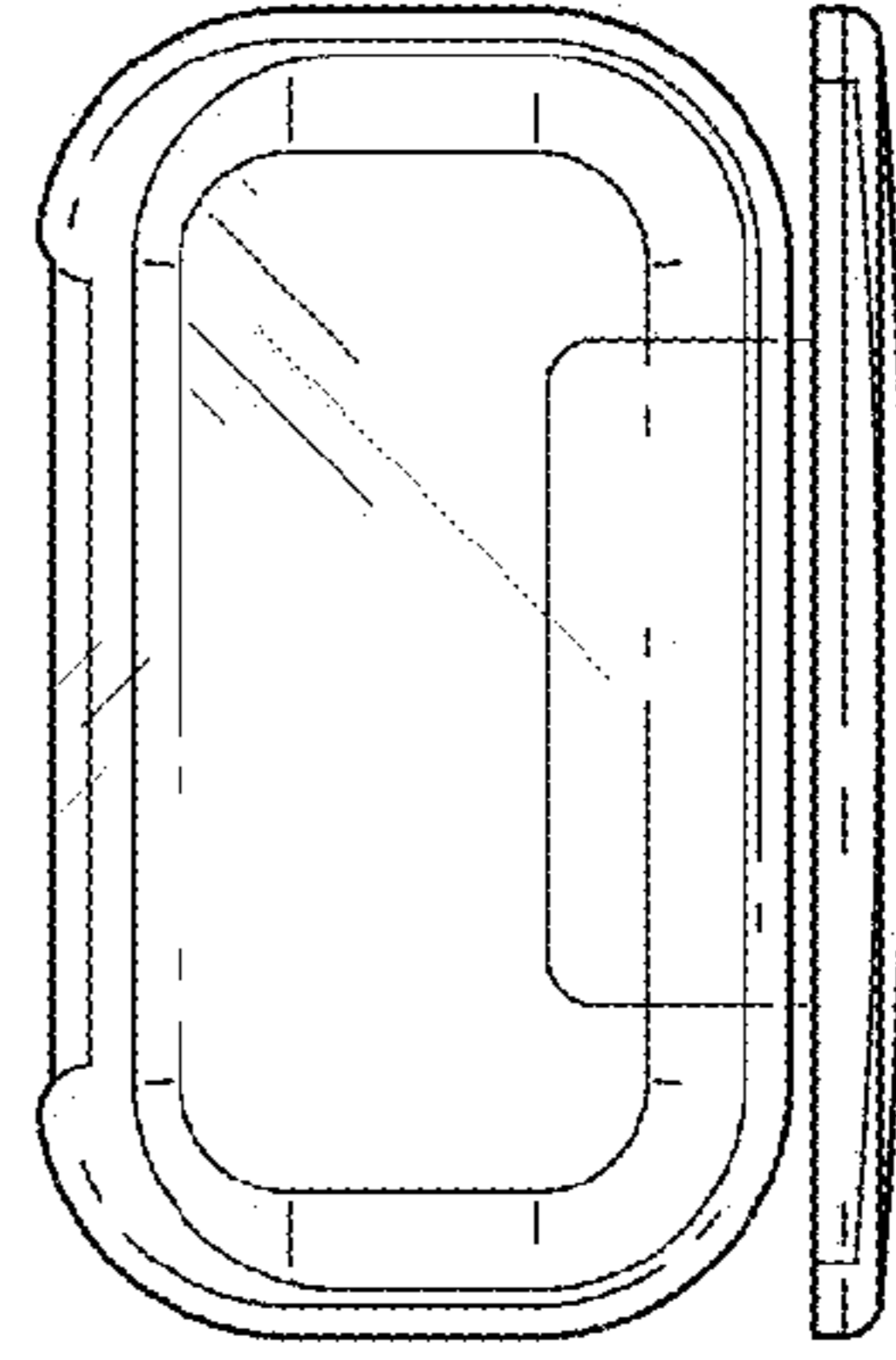


FIG. 36

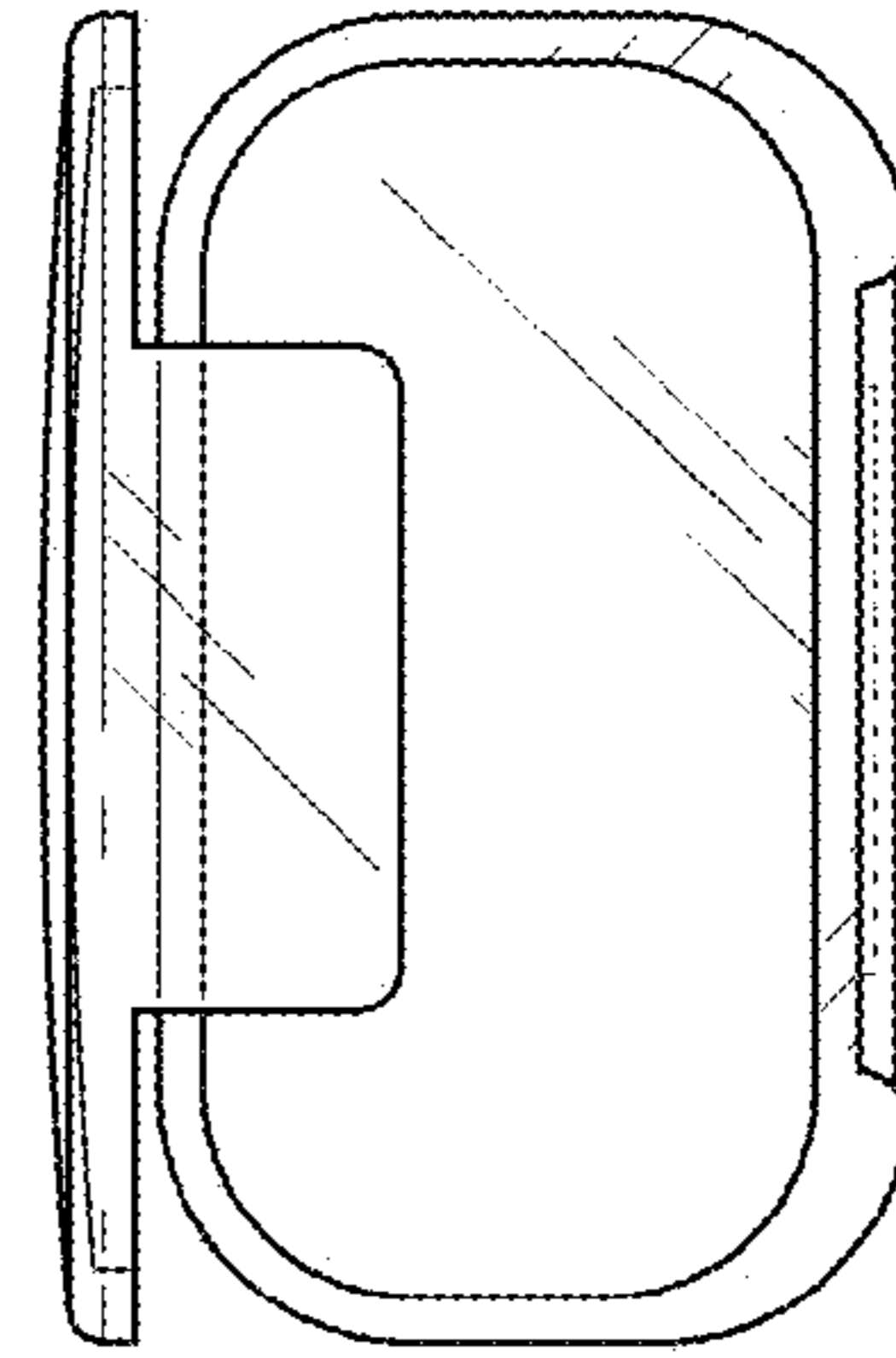


FIG. 35

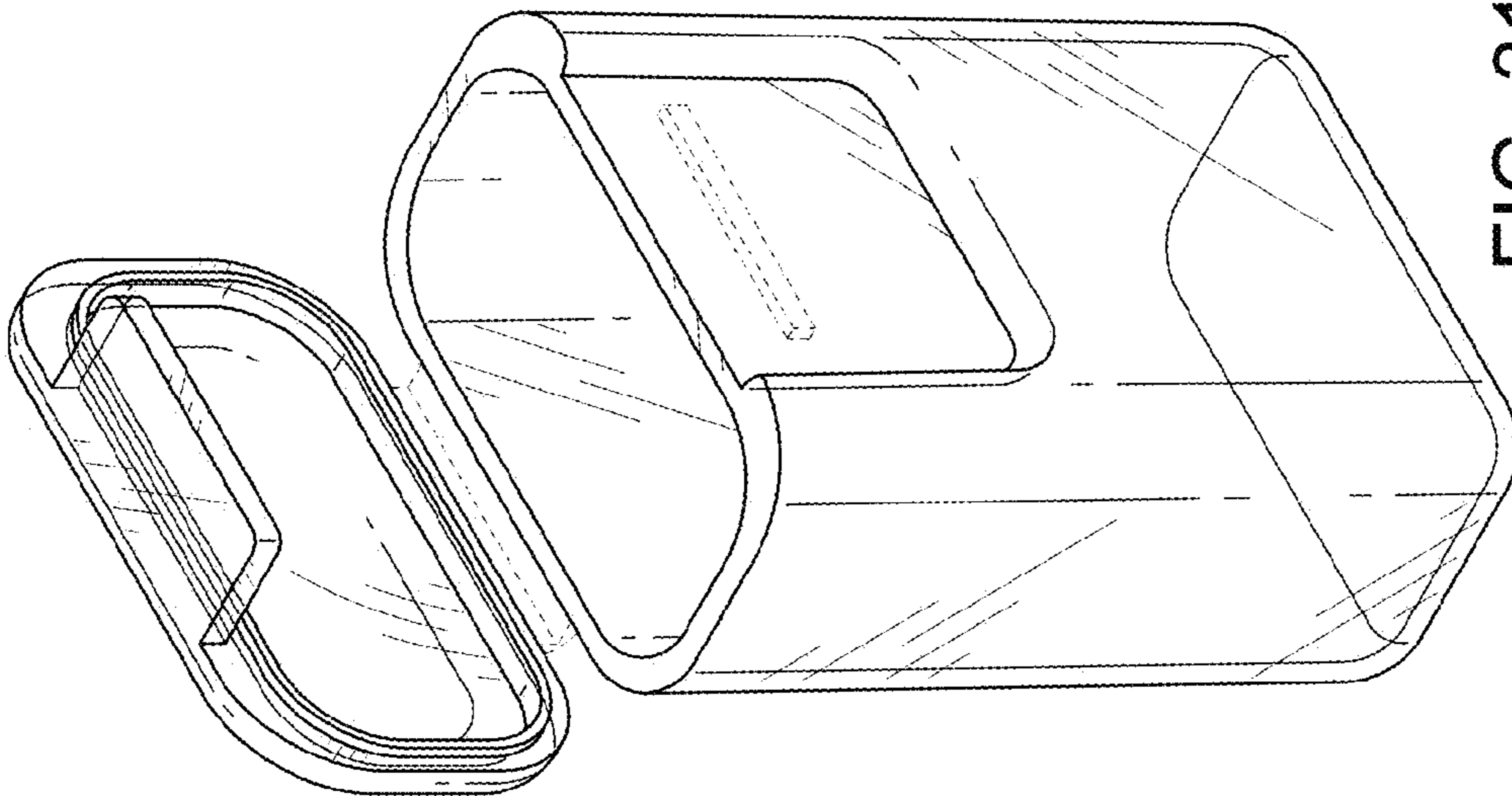


FIG. 31