



US00D927846S

(12) **United States Design Patent** (10) **Patent No.:** **US D927,846 S**
Matthews (45) **Date of Patent:** **** Aug. 17, 2021**

- (54) **MEDICATION CARRIER**
- (71) Applicant: **TeloTravel LLC**, New Orleans, LA (US)
- (72) Inventor: **Scott Alexander Matthews**, New Orleans, LA (US)
- (73) Assignee: **TELOTRAVEL LLC**, New Orleans, LA (US)
- (**) Term: **15 Years**
- (21) Appl. No.: **29/723,587**
- (22) Filed: **Feb. 7, 2020**
- (51) **LOC (13) Cl.** **03-01**
- (52) **U.S. Cl.**
USPC **D3/203.1**
- (58) **Field of Classification Search**
USPC D3/201, 203.1, 203.2, 203.3, 203.8, 205, D3/243, 224, 247, 299, 303
CPC A45C 2007/0004; A45C 2007/0013; A45C 7/0059; A45C 7/0095; A45C 2011/007; A45C 11/008; A45C 1/06; A45C 3/001; A45C 11/24; A61J 1/03
See application file for complete search history.

- D449,158 S * 10/2001 Banks D3/205
- D458,752 S * 6/2002 Wolf D3/299
- D471,011 S * 3/2003 Kowalsky A45C 11/26
D3/299
- D483,199 S * 12/2003 Hassett D3/299
- D506,066 S * 6/2005 Nieves D3/299
- D518,954 S * 4/2006 Wald D3/273
- D526,118 S * 8/2006 Foote D3/203.1

(Continued)

Primary Examiner — Steven J Czyz
(74) *Attorney, Agent, or Firm* — Sand, Sebolt & Wernow Co., LPA

(57) **CLAIM**

The ornamental design for a medication carrier, as shown and described.

DESCRIPTION

FIG. 1 is a front right side isometric view of a medication carrier in accordance with my design, shown in a closed position.

FIG. 2 is a front right side isometric view of the medication carrier shown in an open position.

FIG. 3 is a rear left side isometric view of the medication carrier shown in the open position.

FIG. 4 is a front elevation view of the medication carrier shown in the open position.

FIG. 5 is a rear elevation view of the medication carrier shown in the open position.

FIG. 6 is a top plan view of the medication carrier shown in the open position.

FIG. 7 is a bottom plan view of the medication carrier shown in the open position.

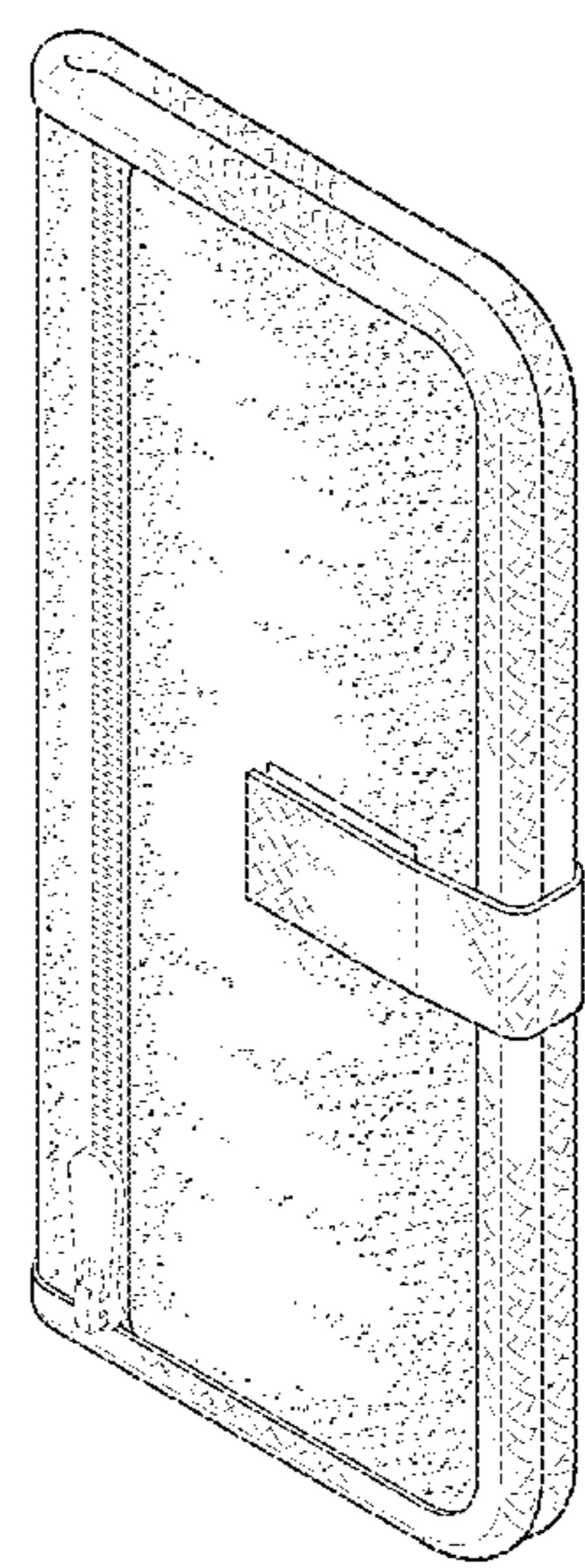
FIG. 8 is a left side elevation view of the medication carrier shown in the open position; and,

FIG. 9 is a right side elevation view of the medication carrier shown in the open position.

The broken lines depict portions of the medication carrier that form no part of the claimed design.

1 Claim, 7 Drawing Sheets

- (56) **References Cited**
U.S. PATENT DOCUMENTS
- 1,722,507 A * 7/1929 Stanley A45C 11/008
206/581
- D314,213 S * 1/1991 Bishop D3/203.1
- 5,020,673 A * 6/1991 Adams A45C 3/00
150/112
- D319,729 S * 9/1991 Kogutt D3/299
- D385,694 S * 11/1997 Magnussen D3/201
- D424,802 S * 5/2000 Leslie D3/201
- D433,663 S * 11/2000 Bergh A45C 11/008
D12/415
- D442,781 S * 5/2001 Snider D3/299



(56)

References Cited

U.S. PATENT DOCUMENTS

7,111,733 B1 * 9/2006 Foote A45C 11/26
 206/528
 D543,023 S * 5/2007 Han D3/218
 D548,972 S * 8/2007 Wald D12/415
 D557,893 S * 12/2007 Chan D3/206
 D577,484 S * 9/2008 Lott D3/203.1
 D593,317 S * 6/2009 Yao D3/203.6
 D629,203 S * 12/2010 Sayre D3/299
 7,926,661 B2 * 4/2011 Beeman A61B 5/150305
 206/572
 D641,547 S * 7/2011 Coleman D3/203.3
 D641,551 S * 7/2011 Deinert D3/247
 D661,082 S * 6/2012 Wingate, III D3/203.3
 D667,217 S * 9/2012 Buie, II D3/262
 D668,864 S * 10/2012 Sitek A45C 1/06
 D3/251
 D703,954 S * 5/2014 Zizka D3/299
 D721,493 S * 1/2015 Godshaw D3/301
 D728,921 S * 5/2015 Jones A45C 1/08
 D3/203.1
 D729,522 S * 5/2015 Kim D3/303
 D737,828 S * 9/2015 Albano D14/440
 D790,847 S * 7/2017 Tappeiner D3/205
 D806,378 S * 1/2018 Lerenthal D3/201
 D858,984 S * 9/2019 Zucco D3/247
 D872,459 S * 1/2020 Grissinger D3/206
 D891,416 S * 7/2020 Yu D14/250
 10,836,201 B2 * 11/2020 Falzone A45C 7/0077
 10,893,730 B2 * 1/2021 Adler A45C 7/0095
 2015/0230570 A1 * 8/2015 Kim A45C 1/08
 150/139

* cited by examiner

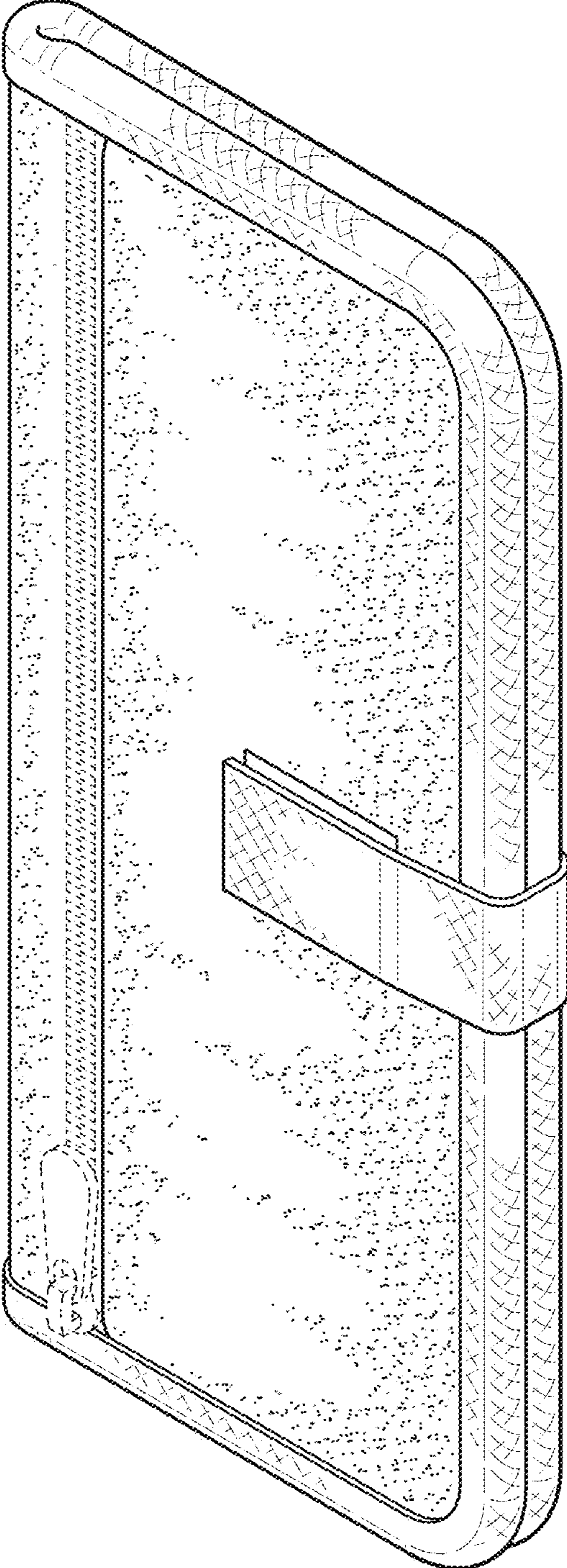


FIG. 1

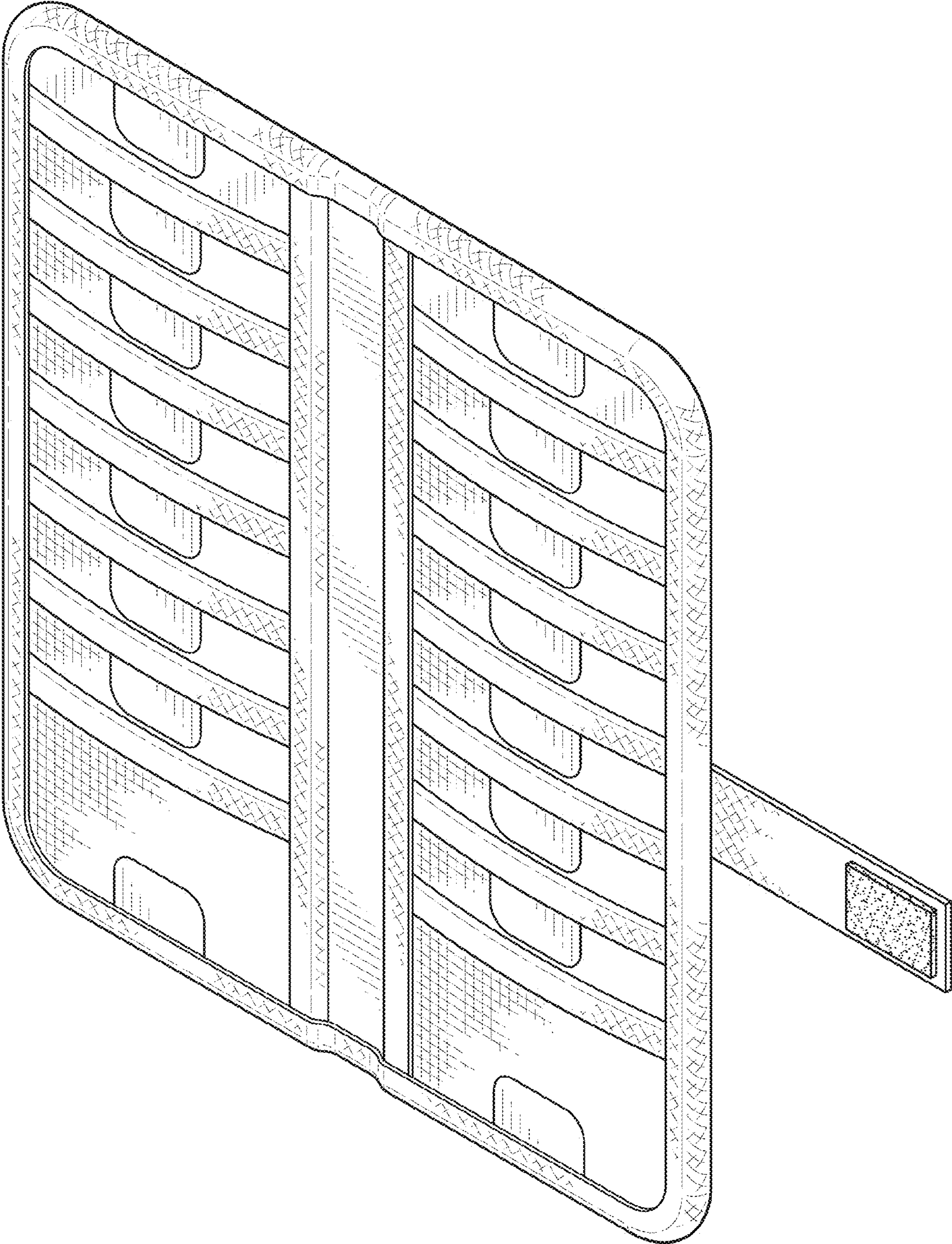


FIG. 2

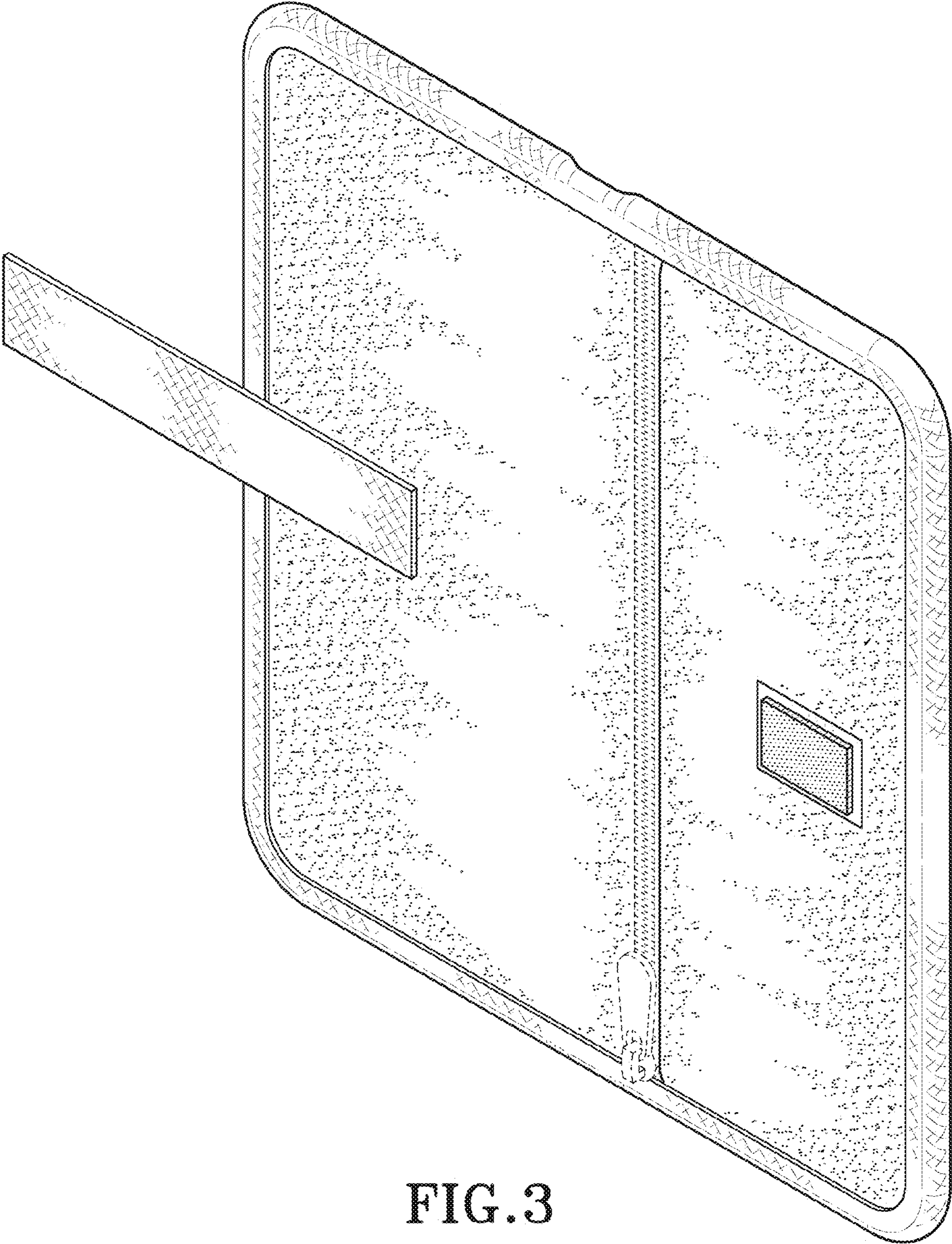


FIG. 3

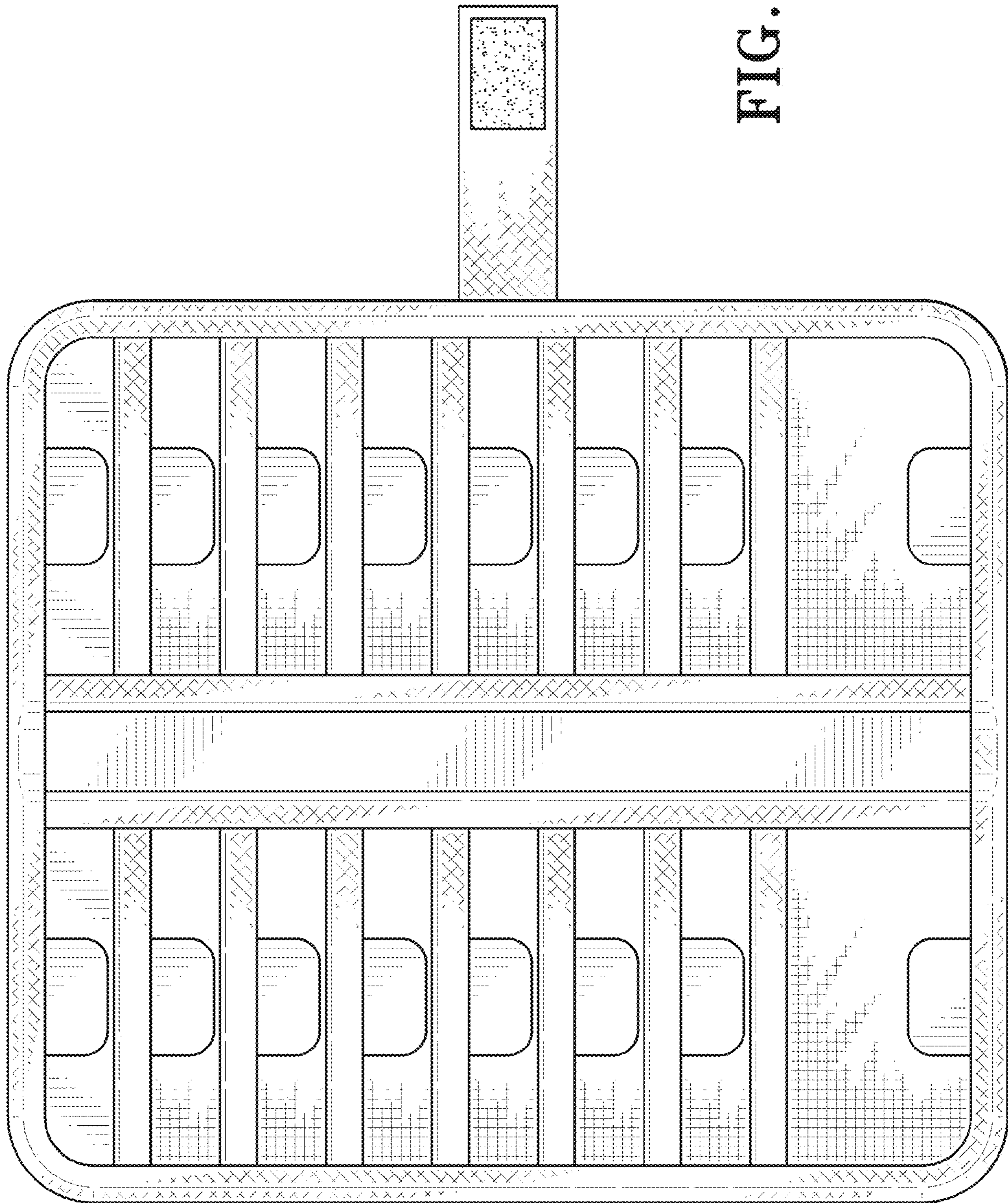


FIG. 4

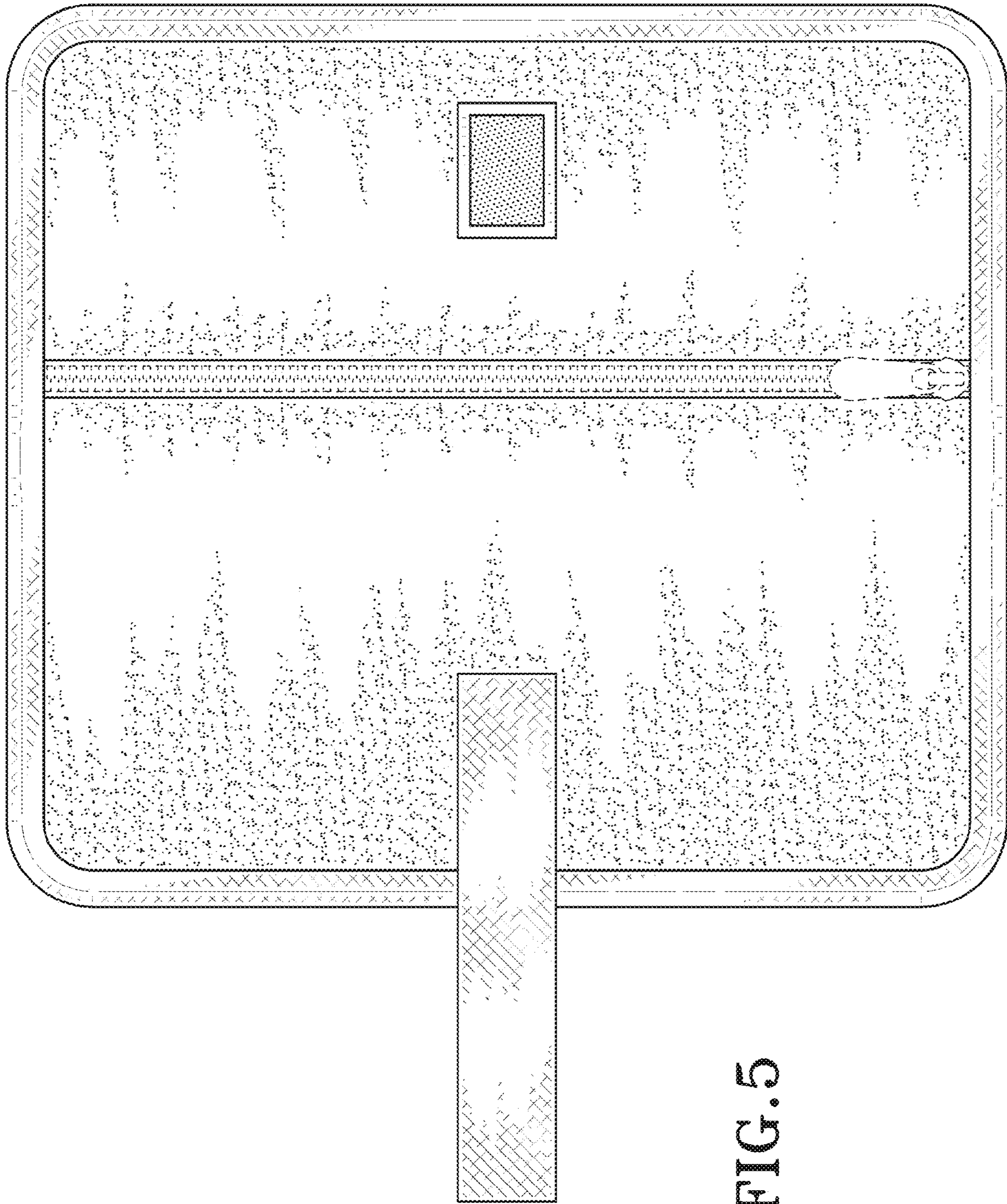


FIG. 5

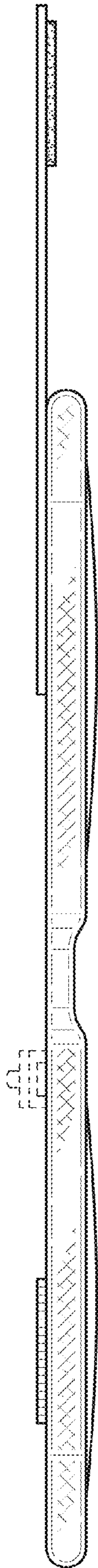


FIG. 6

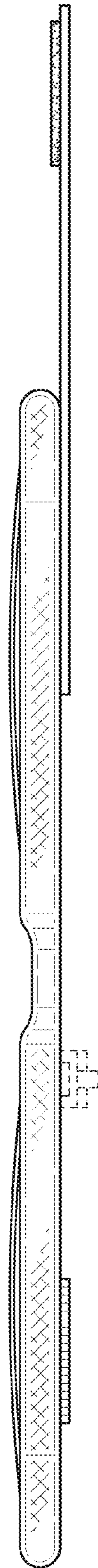


FIG. 7

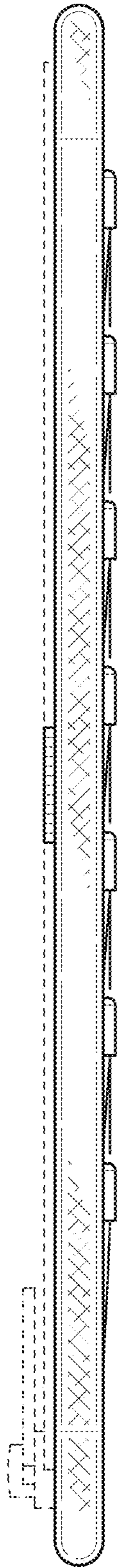


FIG. 8

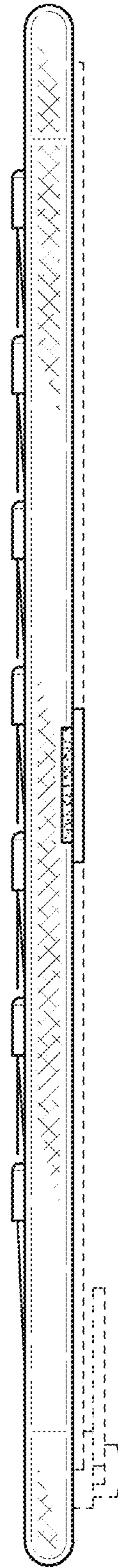


FIG. 9