



US00D927845S

(12) **United States Design Patent** (10) **Patent No.:** **US D927,845 S**  
**Akin et al.** (45) **Date of Patent:** **\*\* Aug. 17, 2021**

- (54) **UMBRELLA WITH SOLAR PANELS**
- (71) Applicant: **ZON**, Redondo Beach, CA (US)
- (72) Inventors: **Sarah Akin**, Manhattan Beach, CA (US); **David Johnson**, San Francisco, CA (US)
- (73) Assignee: **SolarSynthesis**, Cromwell, CT (US)
- (\*\*) Term: **15 Years**
- (21) Appl. No.: **29/759,723**
- (22) Filed: **Nov. 24, 2020**

D248,042 S	5/1978	Ouelette
4,193,389 A	3/1980	Ku
4,527,721 A	7/1985	Goldstein
D336,982 S	7/1993	Johnson et al.
D373,465 S	9/1996	Chipman
D373,467 S	9/1996	Chipman
D373,468 S	9/1996	Dubinsky
D396,741 S	8/1998	Vitali et al.
D443,409 S	6/2001	Pilz et al.
7,000,624 B2	2/2006	Chang
D530,269 S	10/2006	Fowler et al.
D561,460 S	2/2008	Peterson
D600,200 S	9/2009	Dimov et al.
8,360,079 B2	1/2013	Li
D680,949 S	4/2013	Swatek
D681,548 S	5/2013	Zhang et al.
D688,621 S	8/2013	Mozzardi et al.
D701,828 S	4/2014	Garrett-Schesch
D701,829 S	4/2014	Garrett-Schesch
8,695,614 B2	4/2014	Chaimovski et al.
D724,524 S	3/2015	Garrett-Schesch
D728,466 S	5/2015	Ehram et al.
9,088,181 B2	7/2015	Akin et al.
D770,756 S *	11/2016	Akin ..... D3/5

**Related U.S. Application Data**

- (60) Division of application No. 29/731,377, filed on Apr. 14, 2020, now Pat. No. Des. 902,577, which is a continuation of application No. 29/595,333, filed on Feb. 27, 2017, now Pat. No. Des. 880,841, which is a continuation of application No. 29/487,442, filed on Apr. 8, 2014, now Pat. No. Des. 779,810, which is a continuation of application No. 29/467,894, filed on Sep. 24, 2013, now Pat. No. Des. 702,037, which is a division of application No. 29/461,661, filed on Jul. 26, 2013, now Pat. No. Des. 693,562.

- (51) **LOC (13) Cl.** ..... **03-03**
- (52) **U.S. Cl.**  
USPC ..... **D3/5; D3/10; D13/102**
- (58) **Field of Classification Search**  
USPC ..... **D3/5, 10**  
See application file for complete search history.

- (56) **References Cited**  
**U.S. PATENT DOCUMENTS**

1,397,789 A 11/1921 Stonestreet  
D151,655 S 11/1948 Preaus

(Continued)

*Primary Examiner* — John Windmuller  
(74) *Attorney, Agent, or Firm* — Aka Chan LLP

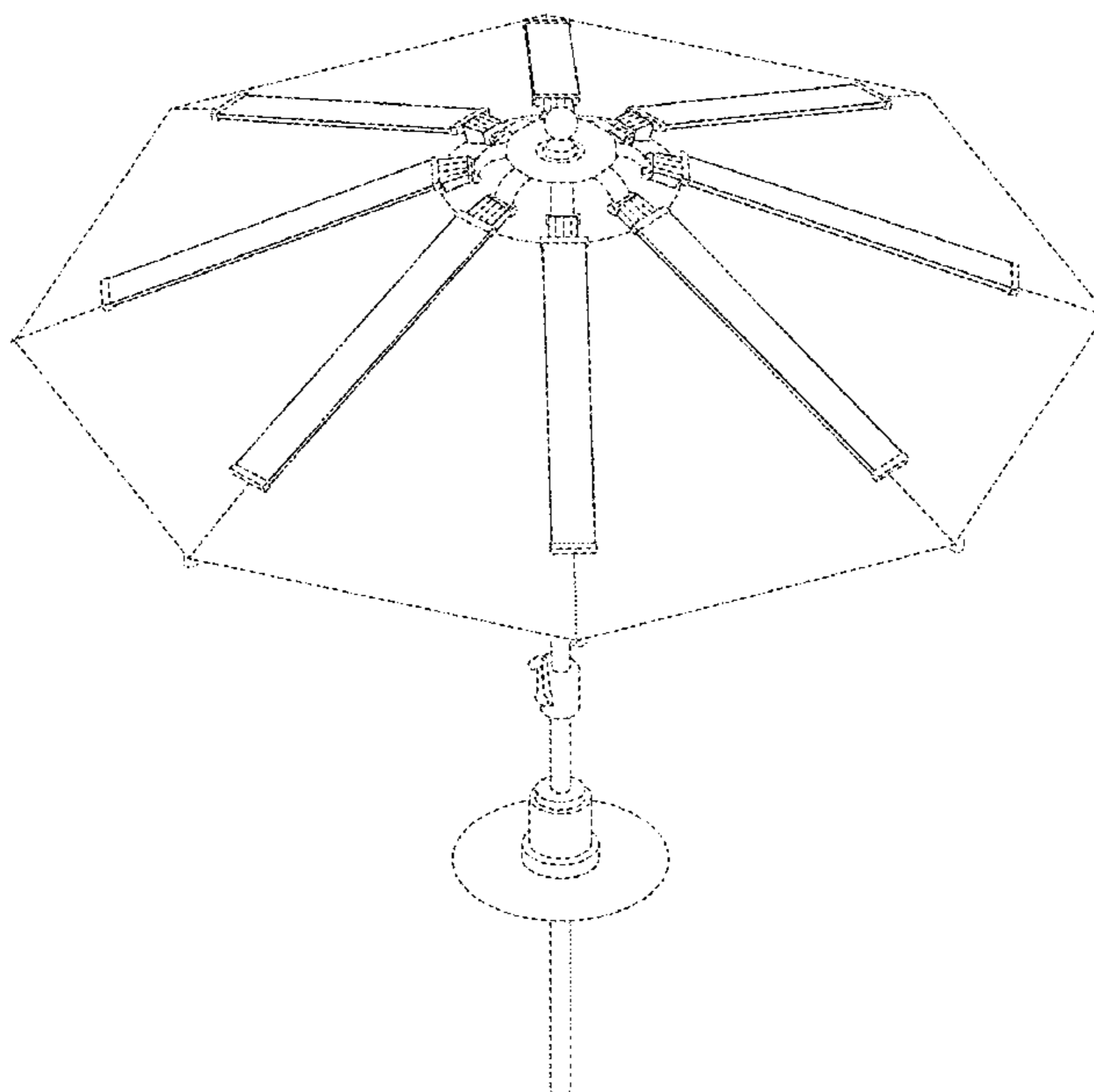
(57) **CLAIM**

The ornamental design for an umbrella with solar panels, as shown and described.

**DESCRIPTION**

FIG. 1 shows a perspective view of a design for an umbrella with solar panels.  
FIG. 2 shows a top view of FIG. 1; and,  
FIG. 3 shows a side view of FIG. 1.  
The broken lines in the figures depict portions of the umbrella with solar panels that form no part of the claimed design.

**1 Claim, 3 Drawing Sheets**



(56)

**References Cited**

U.S. PATENT DOCUMENTS

D813,154 S *	3/2018	Akin .....	D13/102
10,051,931 B2	8/2018	Zadie	
10,306,959 B2	6/2019	Rosedale	
2005/0161067 A1	7/2005	Hollins	
2009/0058354 A1	3/2009	Harrison	

\* cited by examiner

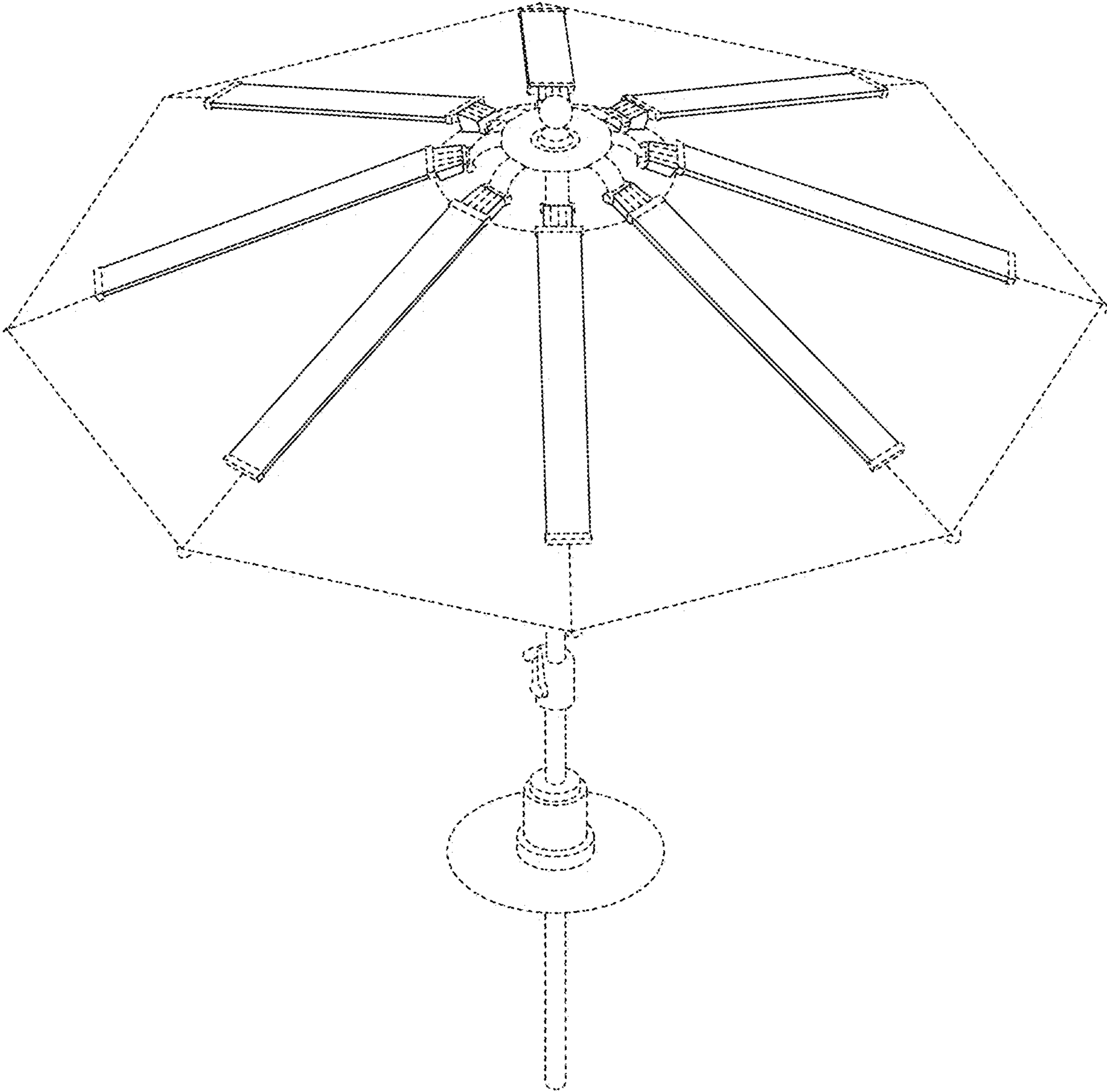


FIG. 1

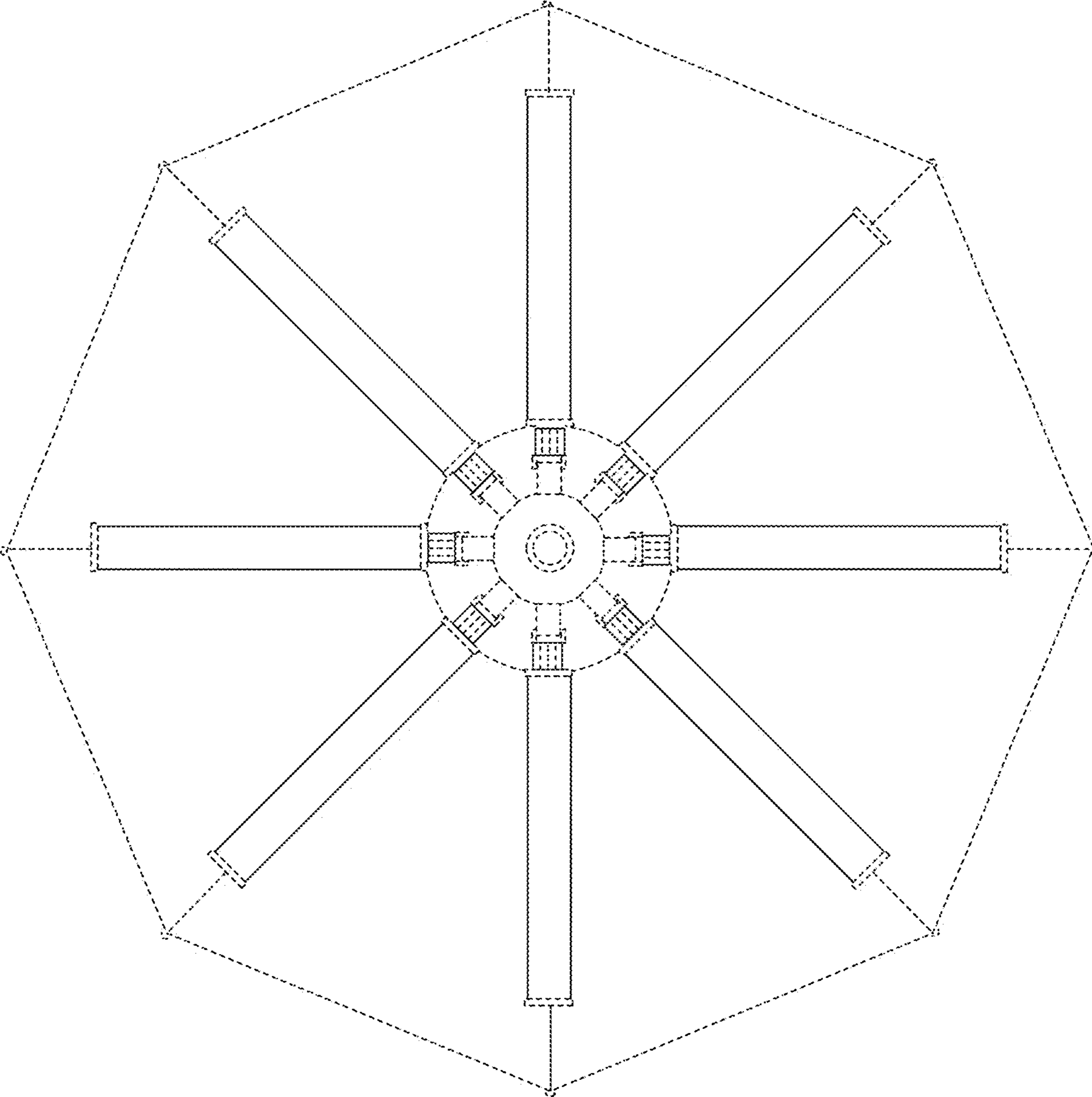


FIG. 2

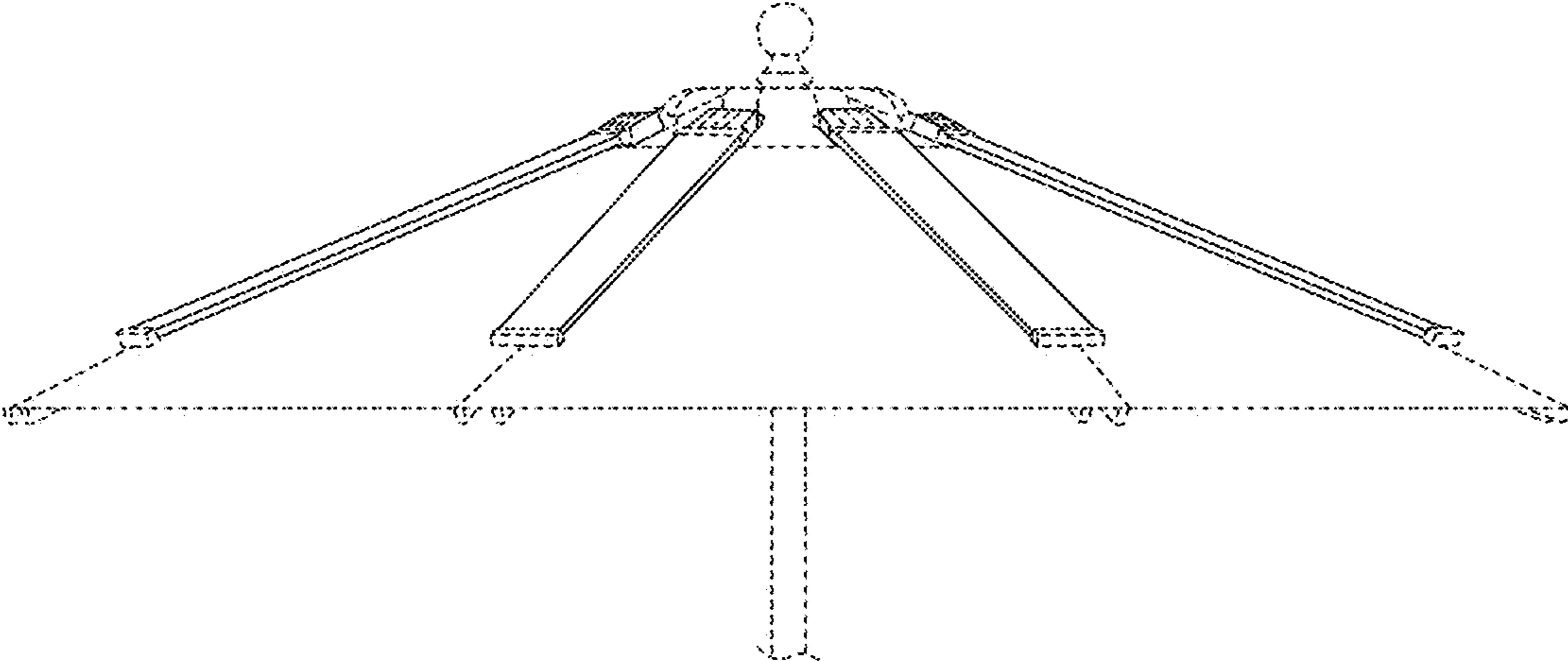


FIG. 3