



US00D927841S

(12) **United States Design Patent**
O’Leary

(10) **Patent No.:** **US D927,841 S**

(45) **Date of Patent:** **** Aug. 17, 2021**

(54) **DETACHABLE VAMP**

(71) Applicant: **James Edward O’Leary**, Brimingham, MI (US)

(72) Inventor: **James Edward O’Leary**, Brimingham, MI (US)

(**) Term: **15 Years**

(21) Appl. No.: **29/709,356**

(22) Filed: **Oct. 14, 2019**

(51) **LOC (13) Cl.** **02-04**

(52) **U.S. Cl.**
USPC **D2/972; D2/973; D2/947**

(58) **Field of Classification Search**

USPC D2/896, 900, 902, 904, 906–908, D2/916–924, 925–945, 969, 970–979, D2/947; 36/1.5, 3 A, 83, 45, 99, 101, 36/112–116, 136
CPC A43B 23/00; A43B 23/02; A43B 23/04; A43B 23/07; A43B 23/024; A43B 23/0245; A43B 23/025; A43B 23/026; A43B 23/265; A43B 23/14; A43B 23/16; A43B 23/24; A43B 23/26; A43B 5/00; A43B 5/001; A43B 5/002; A43B 5/003; A43B 5/008; A43B 5/06; A43B 5/08; A43B 5/10; A43B 5/12; A43B 5/14; A43B 5/145; A43B 1/00; A43B 1/02; A43B 1/04; A43B 1/0045; A43B 3/12; A43B 7/00; A43B 9/00; A43B 9/08; A43B 9/14; A43B 9/16; A43B 11/00; A43B 21/00; A43B 21/02; A43B 21/04; A43B 21/06; A43C 1/00; A43C 1/003; A43C 1/06; A43C 3/00; A43C 5/00; A43C 7/00; A43C 11/00

See application file for complete search history.

(56) **References Cited**

U.S. PATENT DOCUMENTS

1,548,025 A * 8/1925 De Luca A43C 13/14
36/72 R
2,200,080 A * 5/1940 Fein A43B 3/24
36/101
2,261,125 A * 11/1941 McFeely A43B 3/24
36/101
2,268,435 A * 12/1941 Zucker A43C 13/14
36/7.5

(Continued)

Primary Examiner — T Chase Nelson

Assistant Examiner — Jonathan J Han

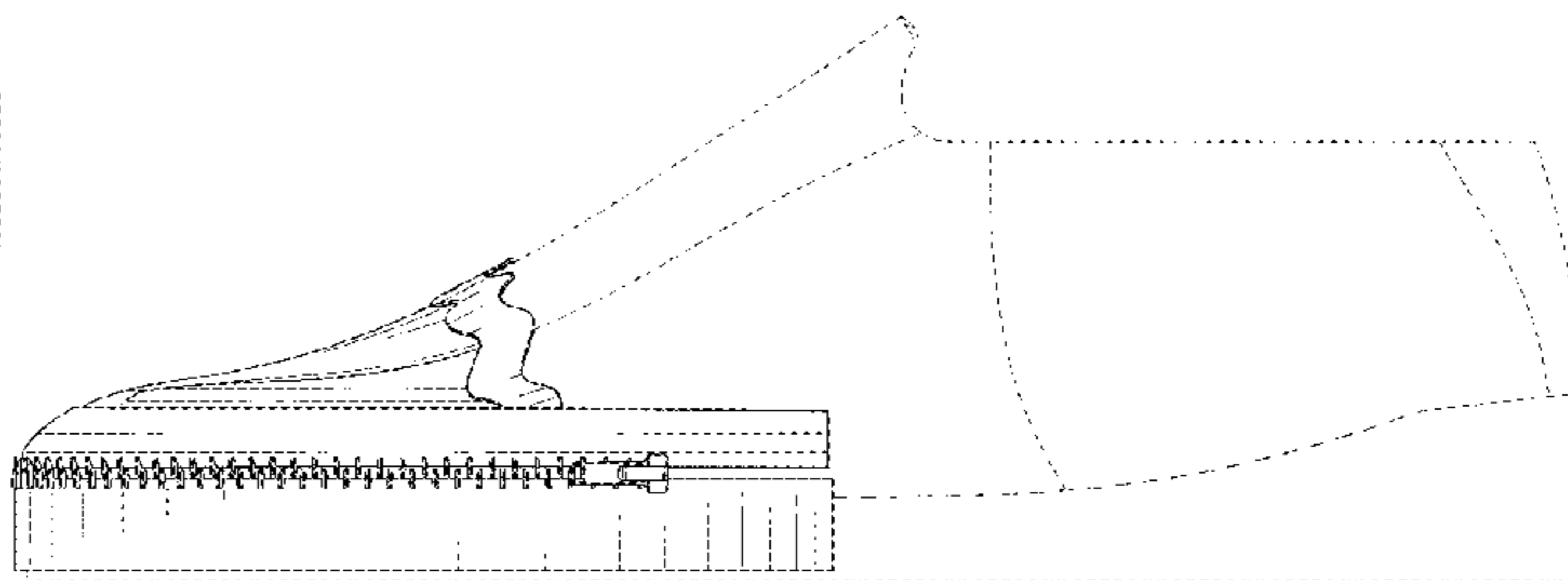
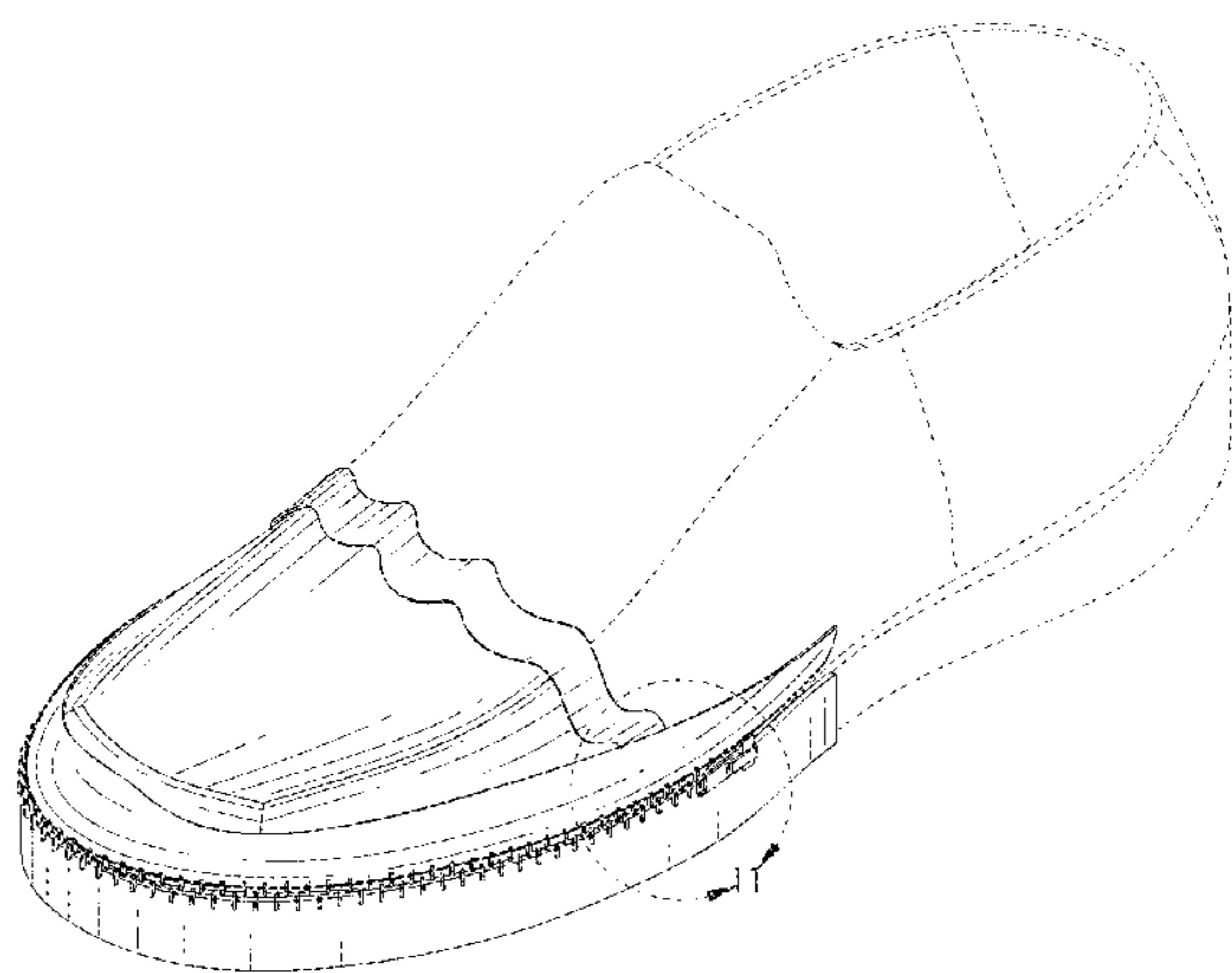
(57) **CLAIM**

The ornamental design for detachable vamp, as shown and described.

DESCRIPTION

FIG. 1 is a top-front-left perspective view of a detachable vamp showing my new design;
FIG. 2 is a bottom-rear-right perspective view thereof;
FIG. 3 is a left-side elevational view thereof;
FIG. 4 is a right-side elevational view thereof;
FIG. 5 is a front elevational view thereof;
FIG. 6 is a rear elevational view thereof;
FIG. 7 is a top plan view thereof;
FIG. 8 is a bottom plan view thereof;
FIG. 9 is an exploded top-front-left perspective view of the present invention, wherein the detachable vamp has been separated from an exemplary article of footwear.
FIG. 10 is an exploded bottom-right-rear perspective view of the present invention, wherein the detachable vamp has been separated from an exemplary article of footwear; and,
FIG. 11 is a detail view of area 11 in FIG. 1.
The broken lines showing the exemplary article of footwear in FIGS. 1 through 11 are included for the purpose of showing environmental structure that form no part of the

(Continued)



claimed design. The circles shown with broken lines in FIGS. 1 and 11 are for the purpose of showing area of enlargement and form no part of the claimed design.

1 Claim, 11 Drawing Sheets

(56)

References Cited

U.S. PATENT DOCUMENTS

2,302,596 A * 11/1942 Bigio A43C 11/12
36/101
3,481,055 A * 12/1969 Herman A43B 1/14
36/72 R
4,051,612 A * 10/1977 Damron A43C 13/14
36/72 R
4,103,440 A * 8/1978 Lawrence A43B 3/24
36/101
4,237,628 A * 12/1980 Etancelin A43B 5/14
36/131
4,333,248 A * 6/1982 Samuels A43B 3/18
36/101
D291,621 S * 9/1987 Herman 36/72 R
4,735,003 A * 4/1988 Dykeman A43B 23/087
36/77 R

D316,772 S * 5/1991 Rose D2/913
D339,670 S * 9/1993 White D2/974
5,832,633 A * 11/1998 Wang A43B 23/086
36/77 R
5,983,528 A * 11/1999 Hartung A43B 3/24
36/101
D493,275 S * 7/2004 Koyess D2/913
D510,473 S * 10/2005 Burg D2/969
D521,218 S * 5/2006 Burg D2/969
D522,223 S * 6/2006 Murphy D2/972
7,669,352 B2 * 3/2010 Stefani A43B 3/24
36/101
D615,734 S * 5/2010 Di Nucci D2/907
D665,562 S * 8/2012 Di Nucci D2/902
D669,667 S * 10/2012 Sakurai D2/946
D741,054 S * 10/2015 Stillwagon D2/944
D787,788 S * 5/2017 Nelson D2/913
D802,261 S * 11/2017 Stillwagon D2/923
D838,443 S * 1/2019 Whittington D2/896
D856,637 S * 8/2019 Williams D2/900
D858,952 S * 9/2019 Williams D2/900
D864,551 S * 10/2019 Han D2/972
10,499,710 B2 * 12/2019 Innocente A43C 11/12
D877,464 S * 3/2020 Phillips D2/900
10,743,622 B2 * 8/2020 Yeh A43B 7/08
D897,643 S * 10/2020 Clark D2/946
D905,412 S * 12/2020 Fogg D2/969
2016/0338447 A1 * 11/2016 Price, III A43C 11/008

* cited by examiner

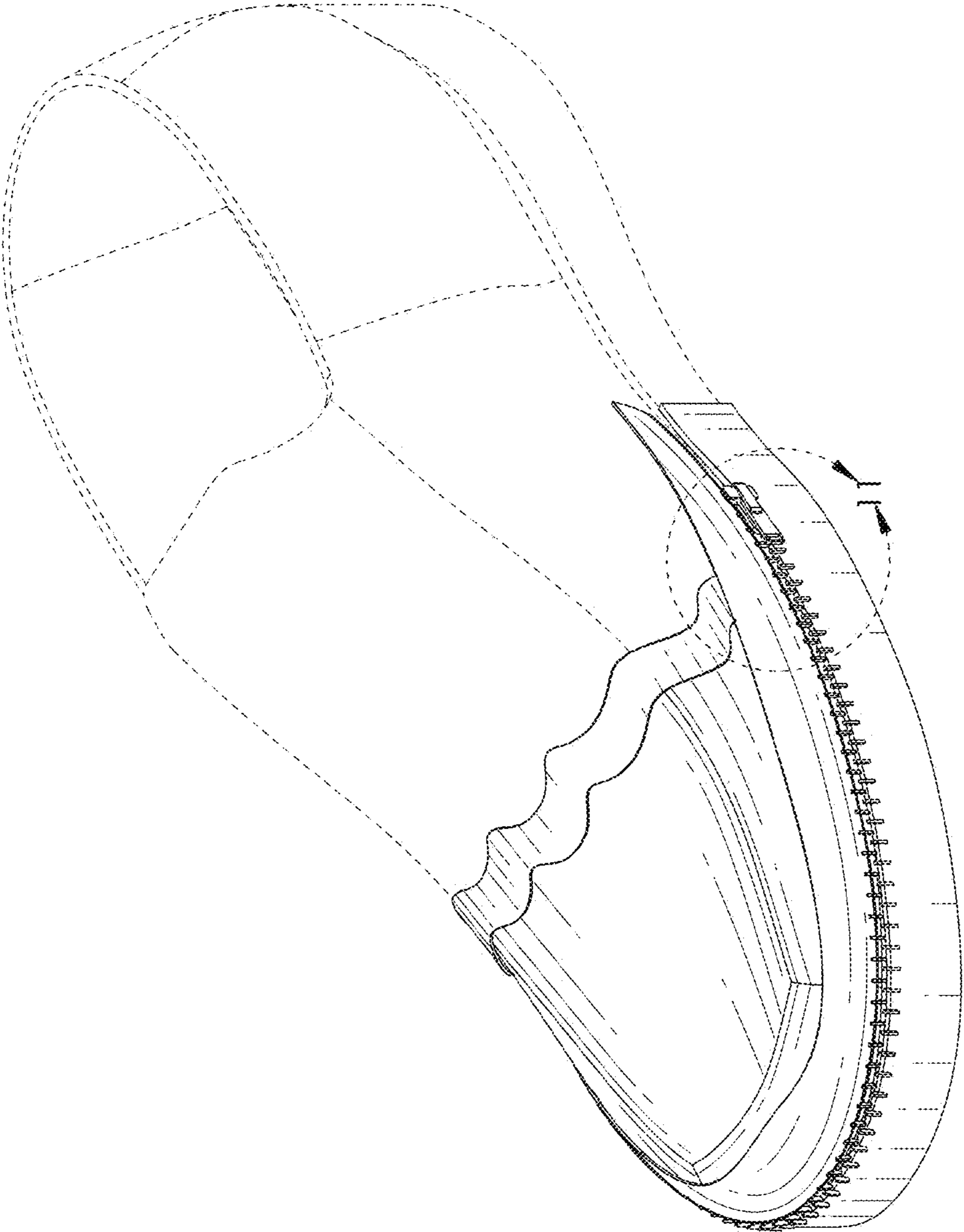


FIG. 1

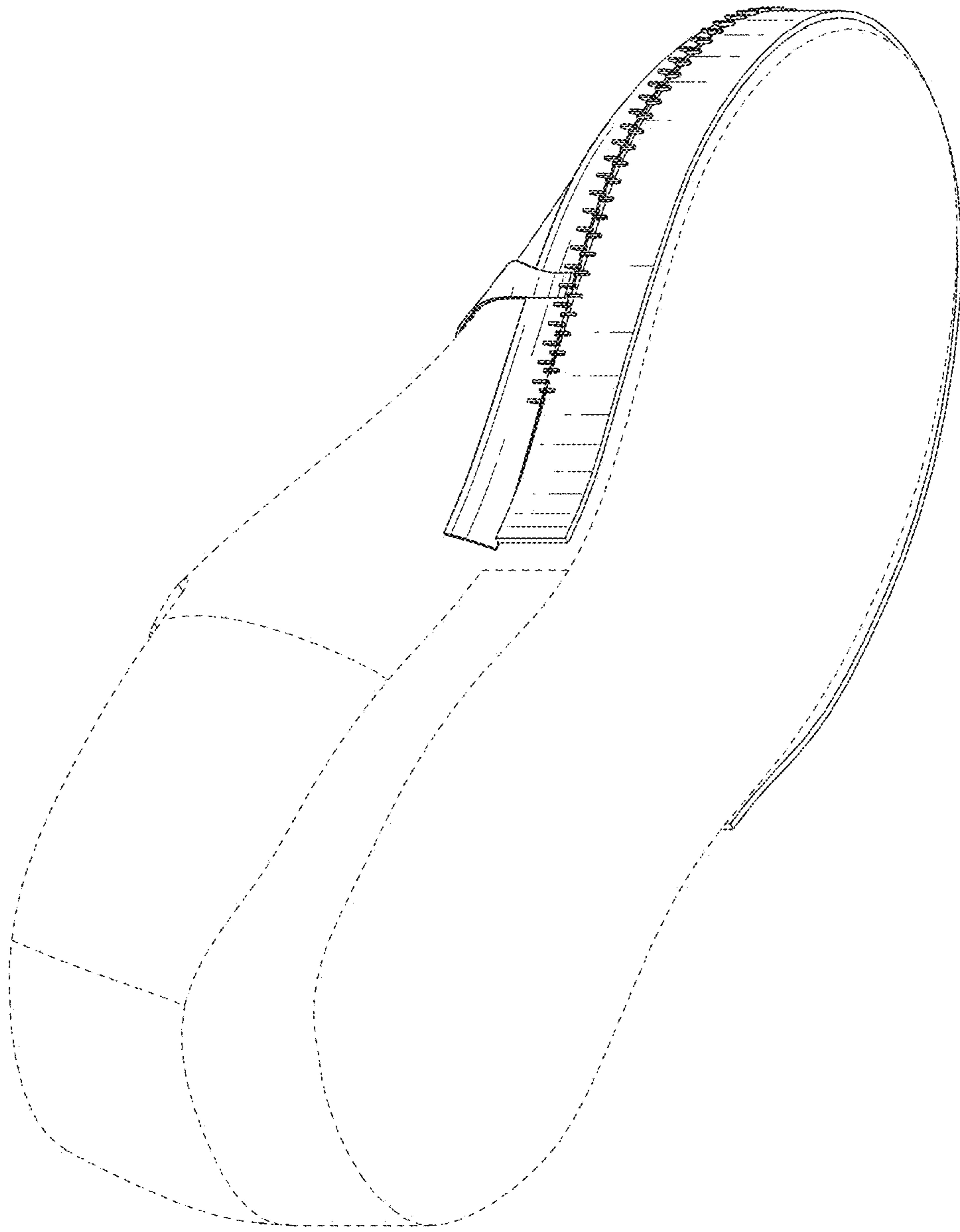


FIG. 2

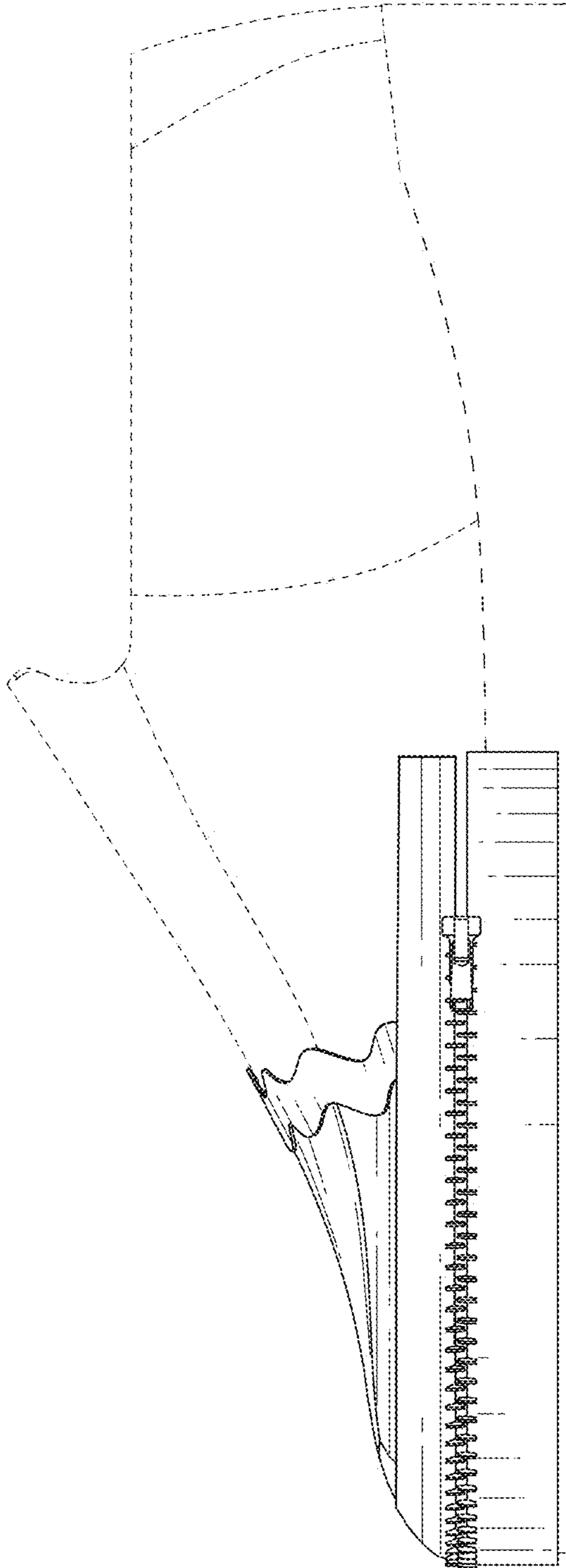


FIG. 3

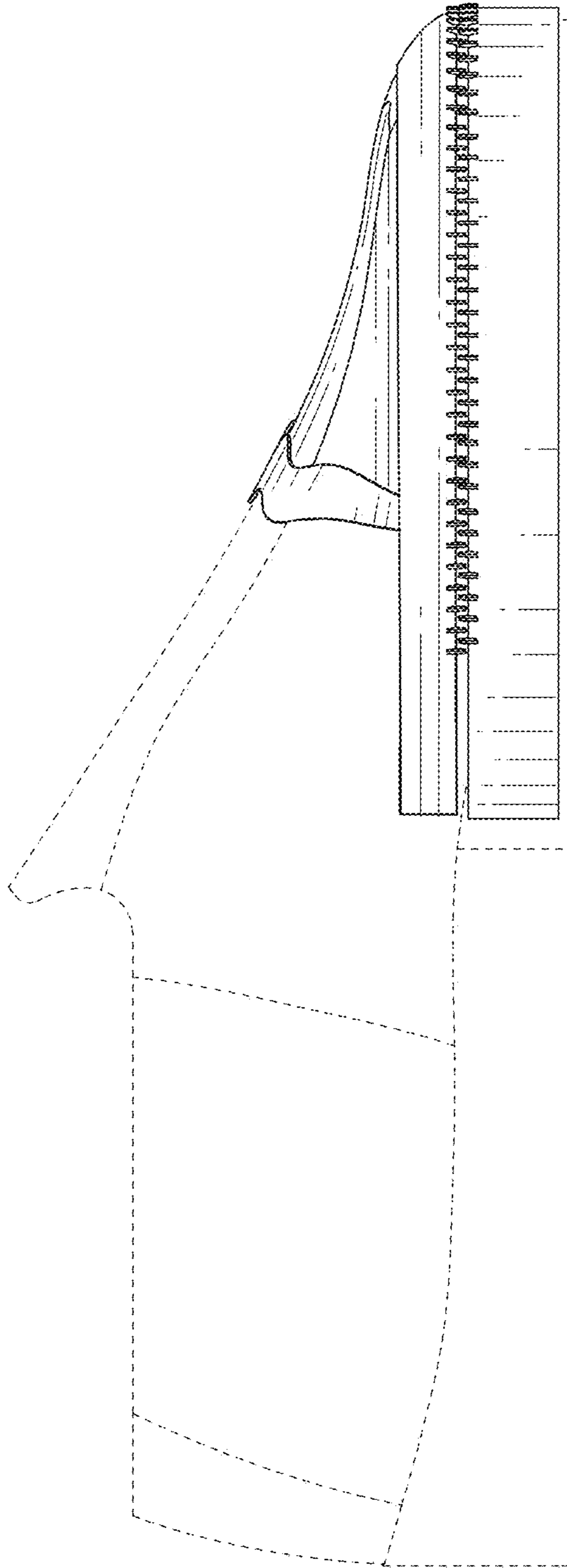


FIG. 4

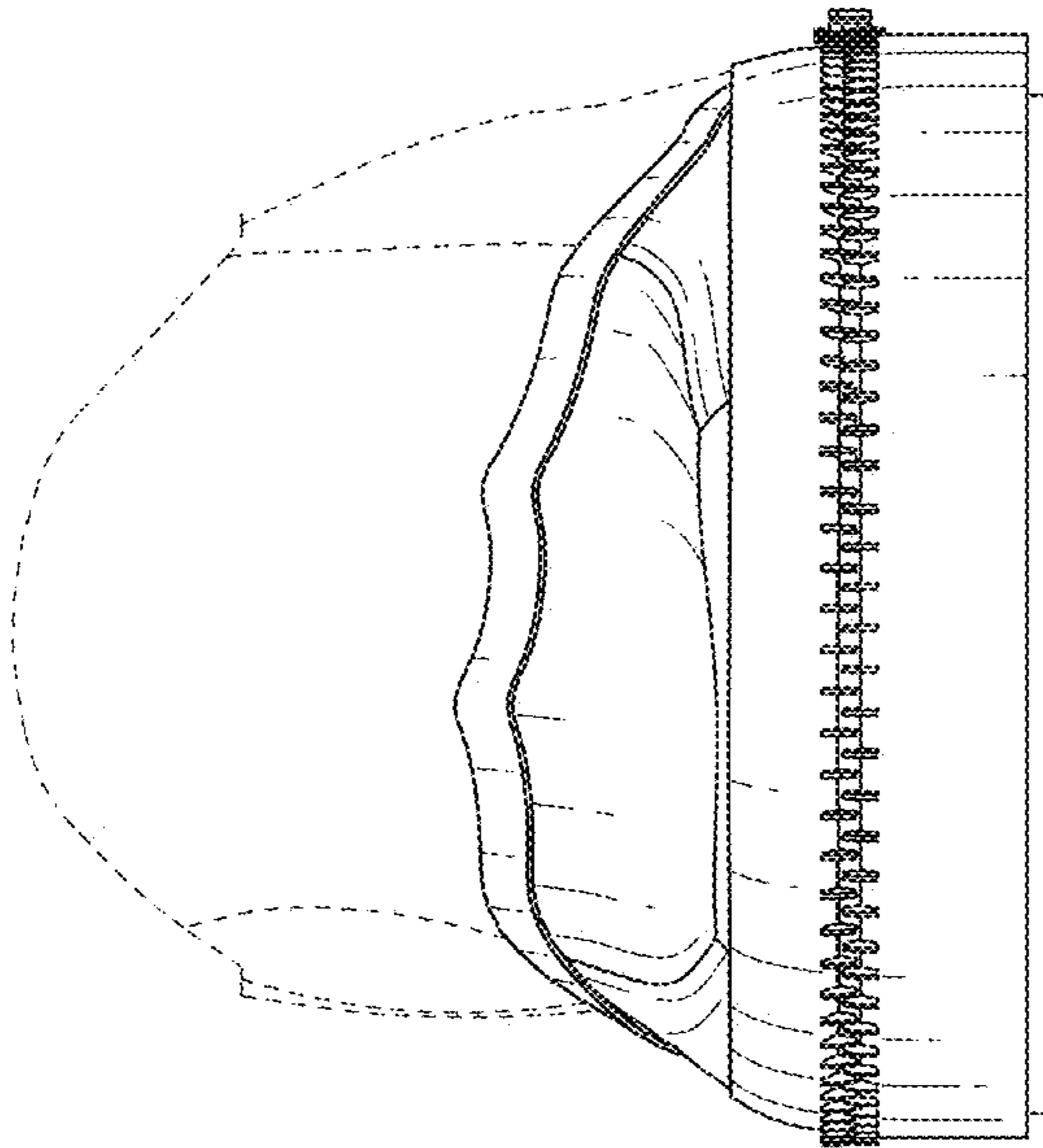


FIG. 5

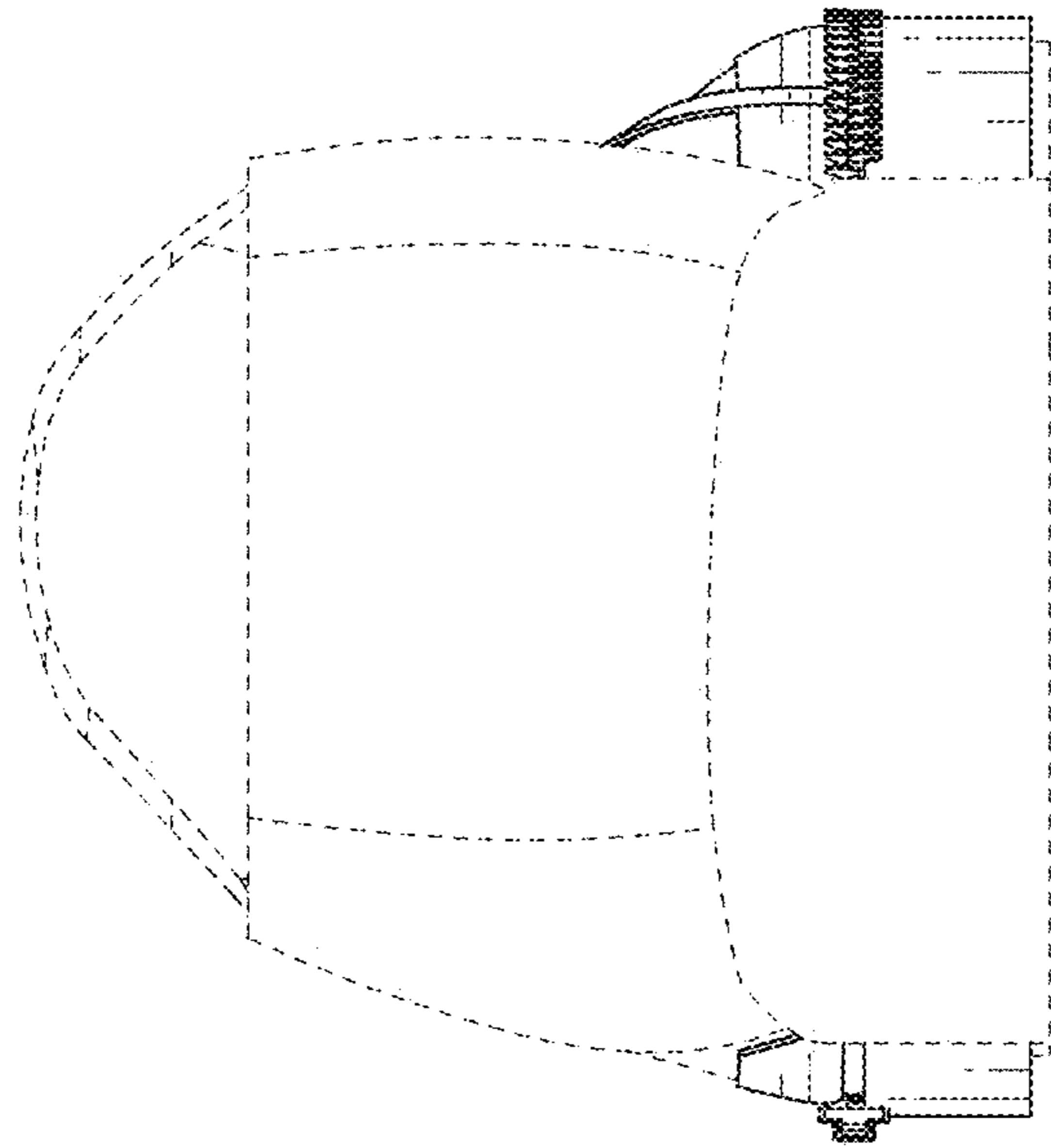


FIG. 6

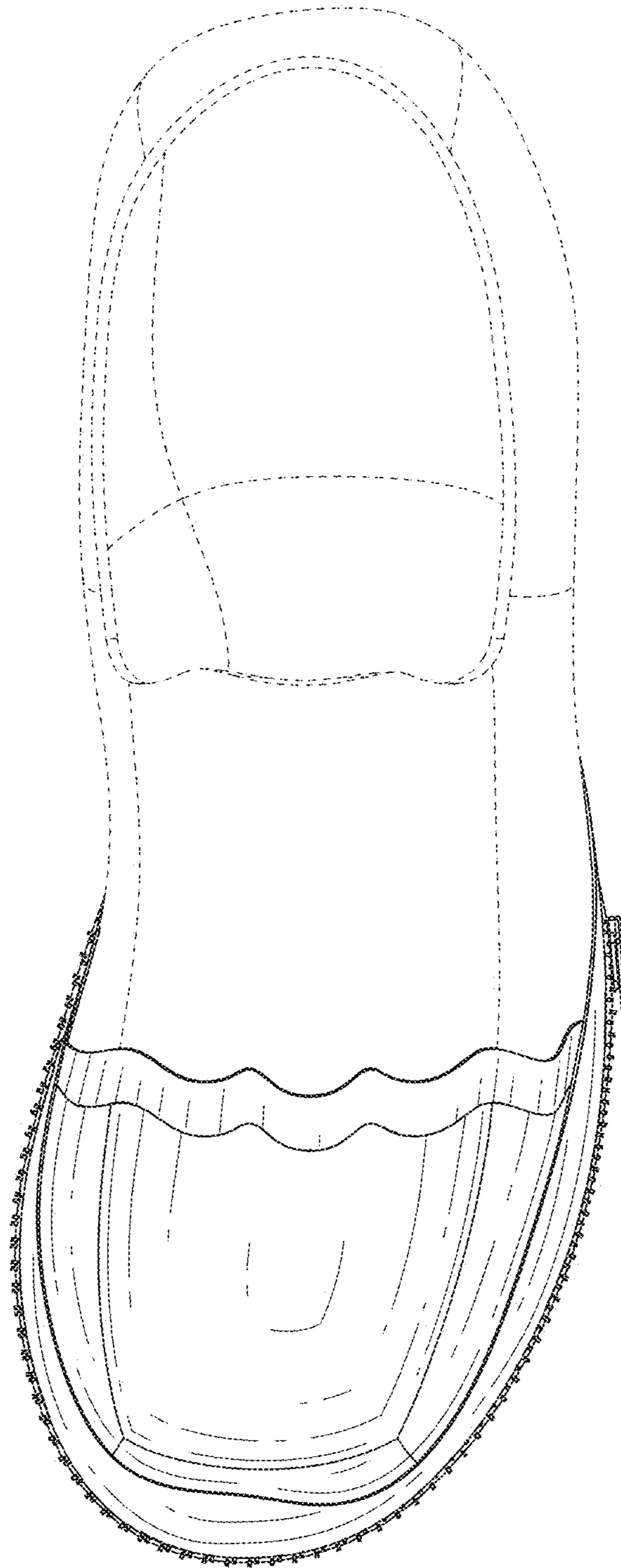


FIG. 7

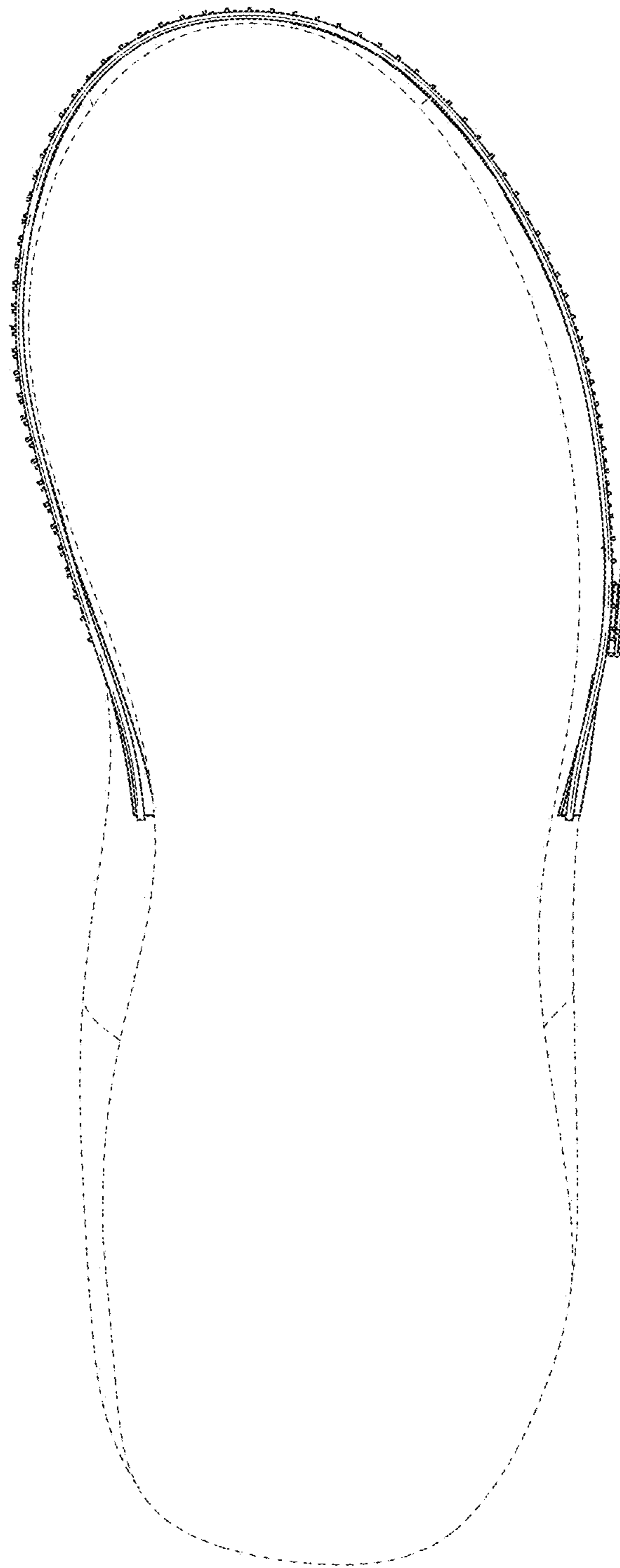


FIG. 8

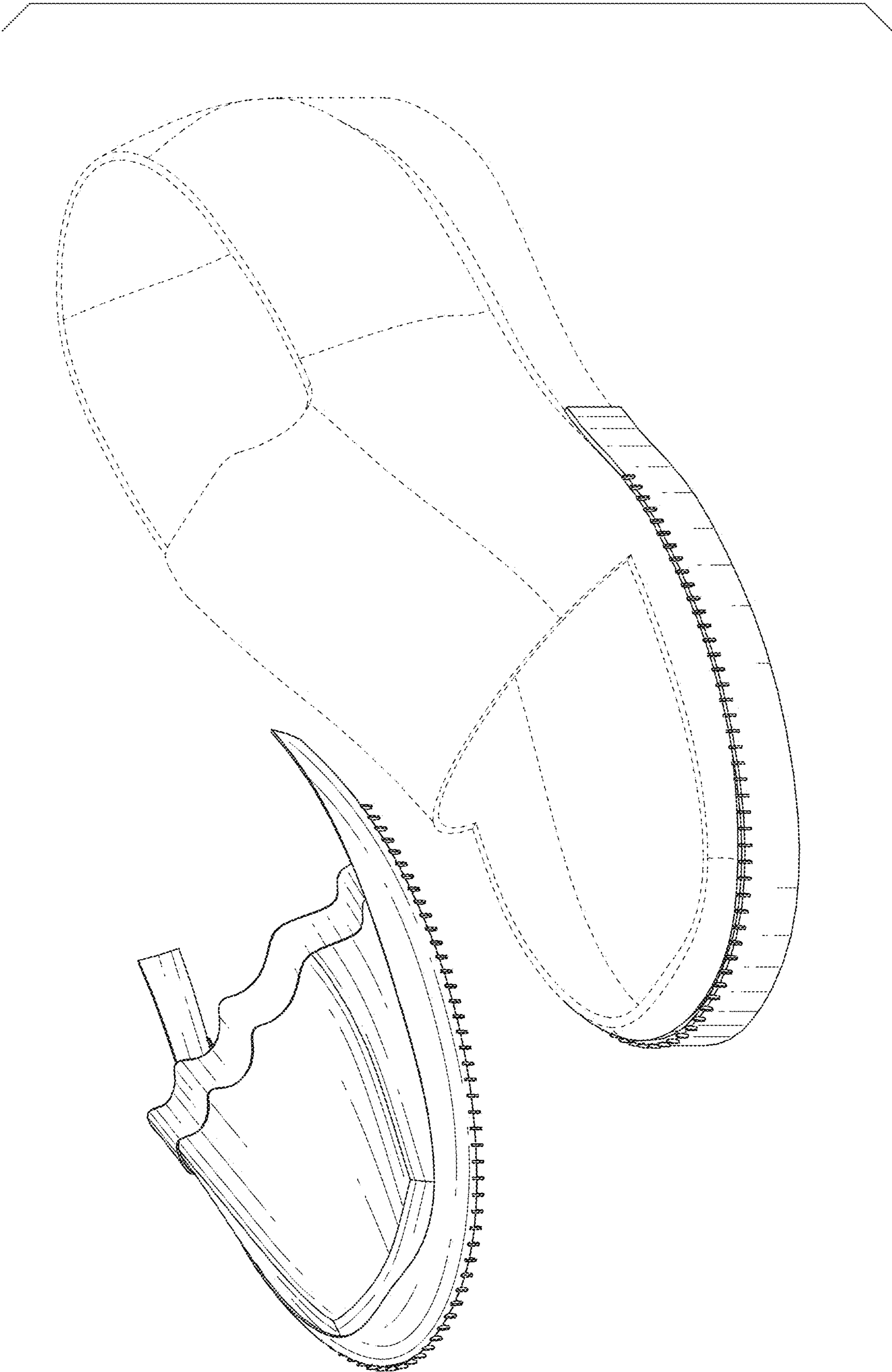


FIG. 9

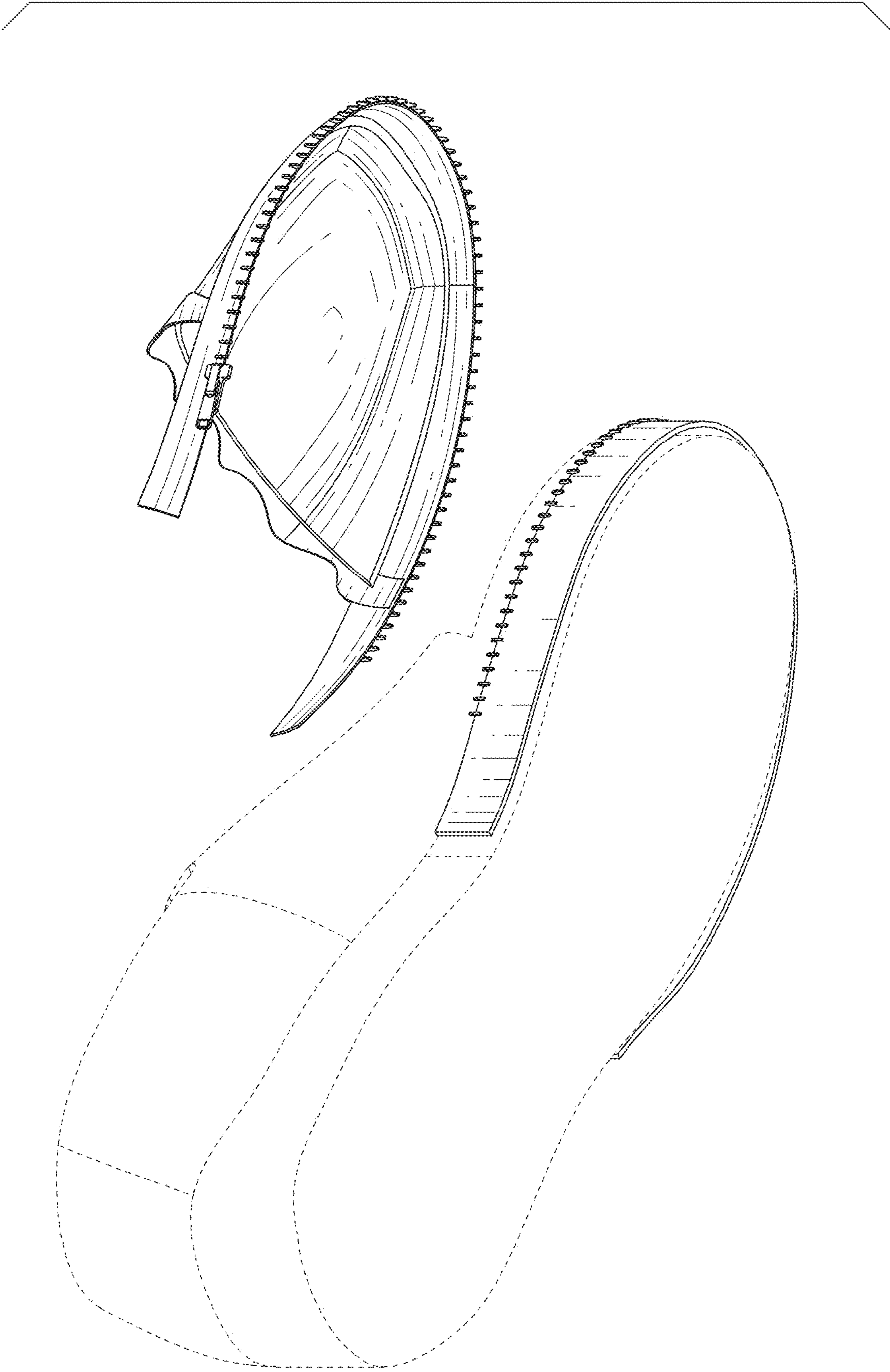


FIG. 10

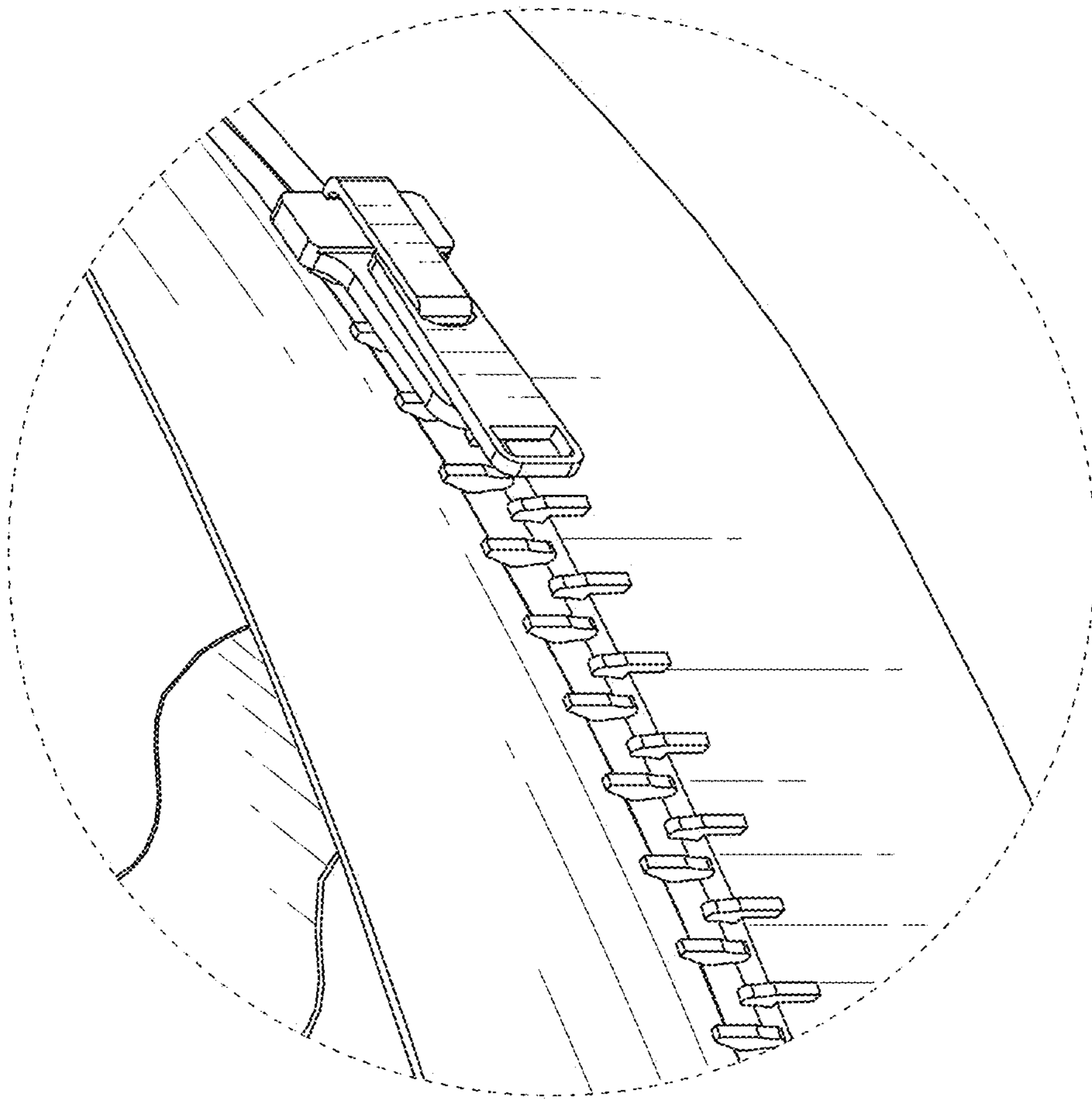


FIG. 11