



US00D927838S

(12) **United States Design Patent**
Nakano

(10) **Patent No.:** **US D927,838 S**

(45) **Date of Patent:** **** Aug. 17, 2021**

(54) **SHOELACE FASTENER**
(71) Applicant: **SORENAR, INC.**, Osaka (JP)
(72) Inventor: **Ichiro Nakano**, Tokyo (JP)
(73) Assignee: **SORENAR, INC.**, Osaka (JP)
(**) Term: **15 Years**

(21) Appl. No.: **29/705,292**
(22) Filed: **Sep. 11, 2019**

(30) **Foreign Application Priority Data**

Mar. 13, 2019 (JP) D2019-006975

(51) **LOC (13) Cl.** **02-04**

(52) **U.S. Cl.**
USPC **D2/946; D2/976**

(58) **Field of Classification Search**
USPC D2/902, 907, 908, 943-946, 969,
D2/972-974, 976-978; D28/39, 40, 42;
D11/40, 48, 75, 78; D21/386
CPC .. A43B 23/24; A43B 5/00; A43B 5/06; A43B
5/10; A43C 19/00; A43C 7/00; A43C
7/005; A43C 7/04; A43C 7/06; A43C
7/08; F16G 11/105
See application file for complete search history.

(56) **References Cited**

U.S. PATENT DOCUMENTS

302,799 A * 7/1884 Thomson A43C 11/1406
24/69 SK
D161,143 S * 12/1950 Walters D8/395
3,417,761 A * 12/1968 Kulnis A45D 8/14
132/284
4,897,947 A * 2/1990 Kass-Pious A43B 3/0031
206/232
D312,773 S * 12/1990 Salinas D16/336
D363,453 S * 10/1995 Herdt D11/78.1

D462,162 S * 9/2002 Peng A43C 7/00
D2/978
D547,532 S * 7/2007 White, Sr. D2/946
D624,299 S * 9/2010 Lindow A43C 11/1406
D2/978
D737,564 S * 9/2015 Hamilton D2/976
D846,263 S * 4/2019 Lee D2/978
2020/0113290 A1* 4/2020 Honda A43C 7/00

* cited by examiner

Primary Examiner — Kevin K Rudzinski
Assistant Examiner — Clare Ann Gannon
(74) *Attorney, Agent, or Firm* — Nakanishi IP Associates,
LLC

(57) **CLAIM**

The ornamental design for a shoelace fastener, as shown and described.

DESCRIPTION

FIG. 1 is a front elevation view of a shoelace fastener;
FIG. 2 is a rear elevation view thereof;
FIG. 3 is a left side elevation view thereof;
FIG. 4 is a right side elevation view thereof;
FIG. 5 is a top plan view thereof;
FIG. 6 is a bottom plan view thereof;
FIG. 7 is a cross-section view, taken along line 7-7 of FIG. 1;
FIG. 8 is a cross-section view, taken along line 8-8 of FIG. 4;
FIG. 9 is a cross-section view, taken along line 9-9 of FIG. 4;
FIG. 10 is a cross-section view, taken along line 10-10 of FIG. 4;
FIG. 11 is a cross-section view, taken along line 11-11 of FIG. 4; and,
FIG. 12 is a front, top, and right side perspective view the shoelace fastener.

1 Claim, 12 Drawing Sheets

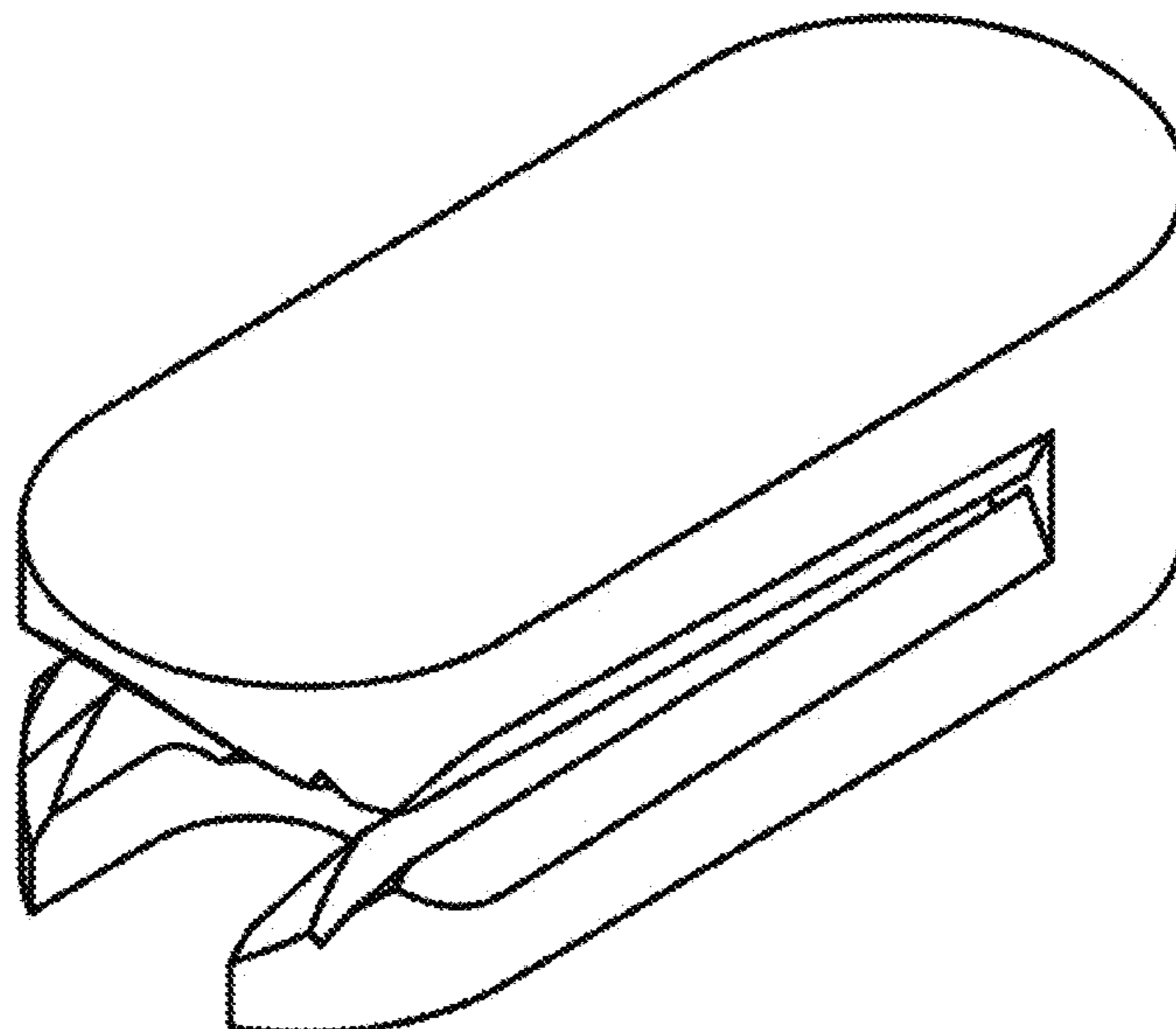


FIG.1

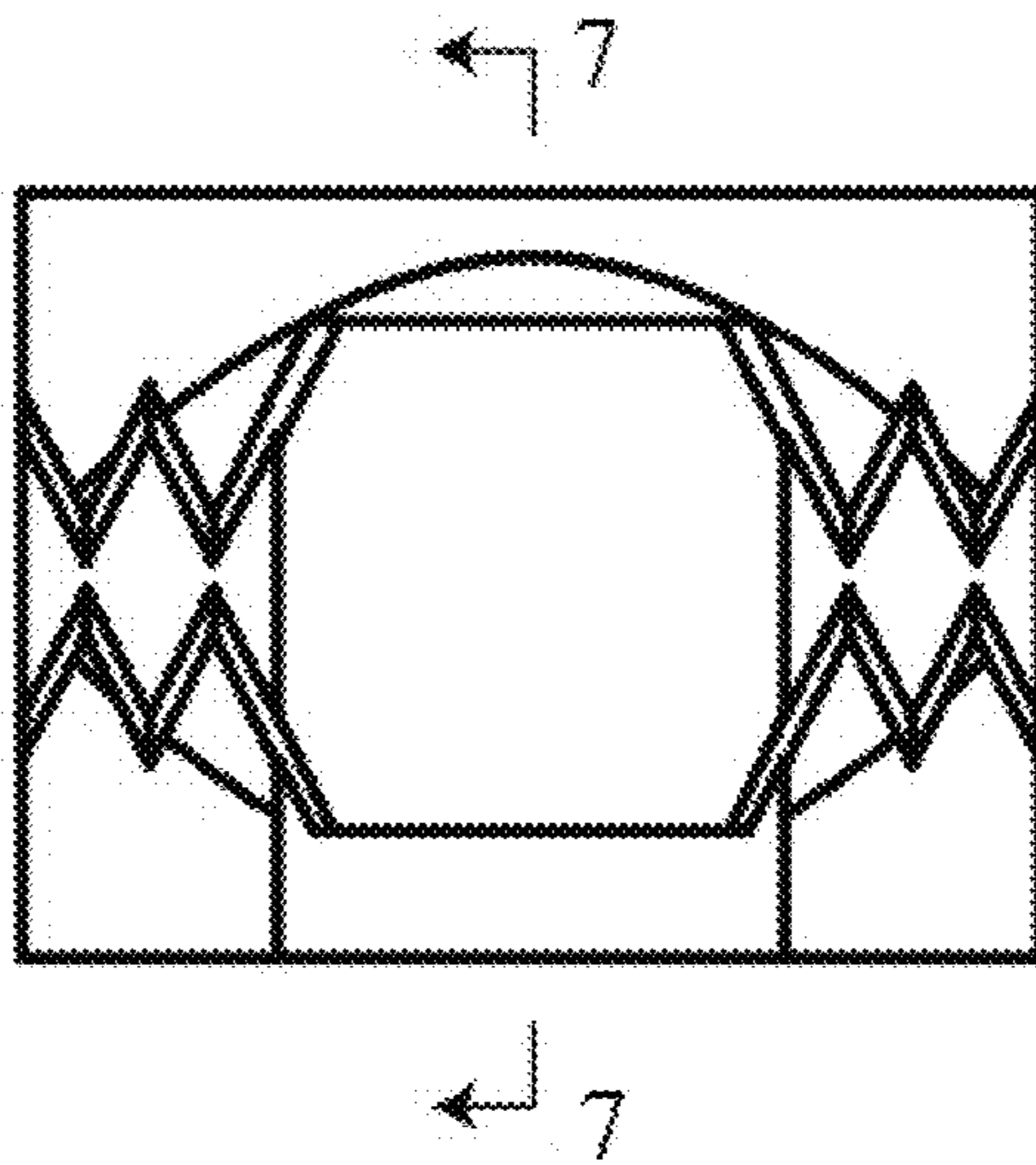


FIG.2

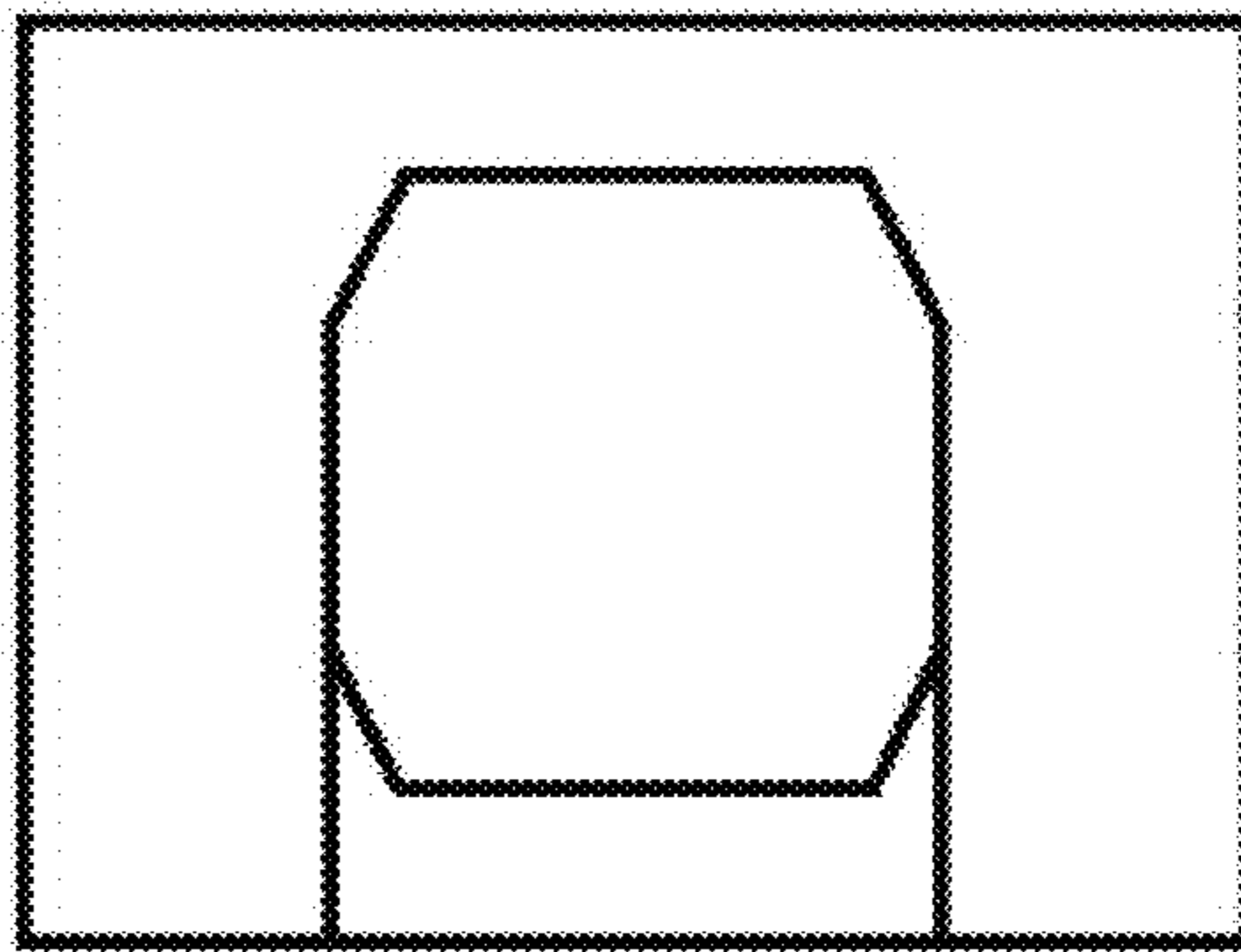


FIG.3

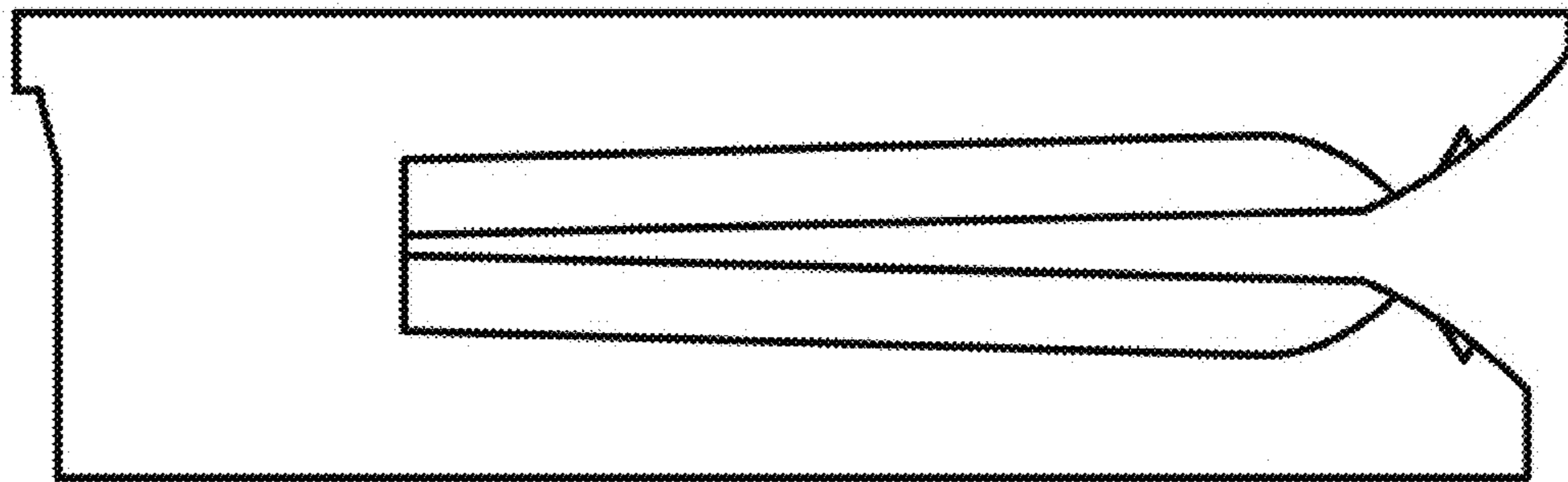


FIG.4

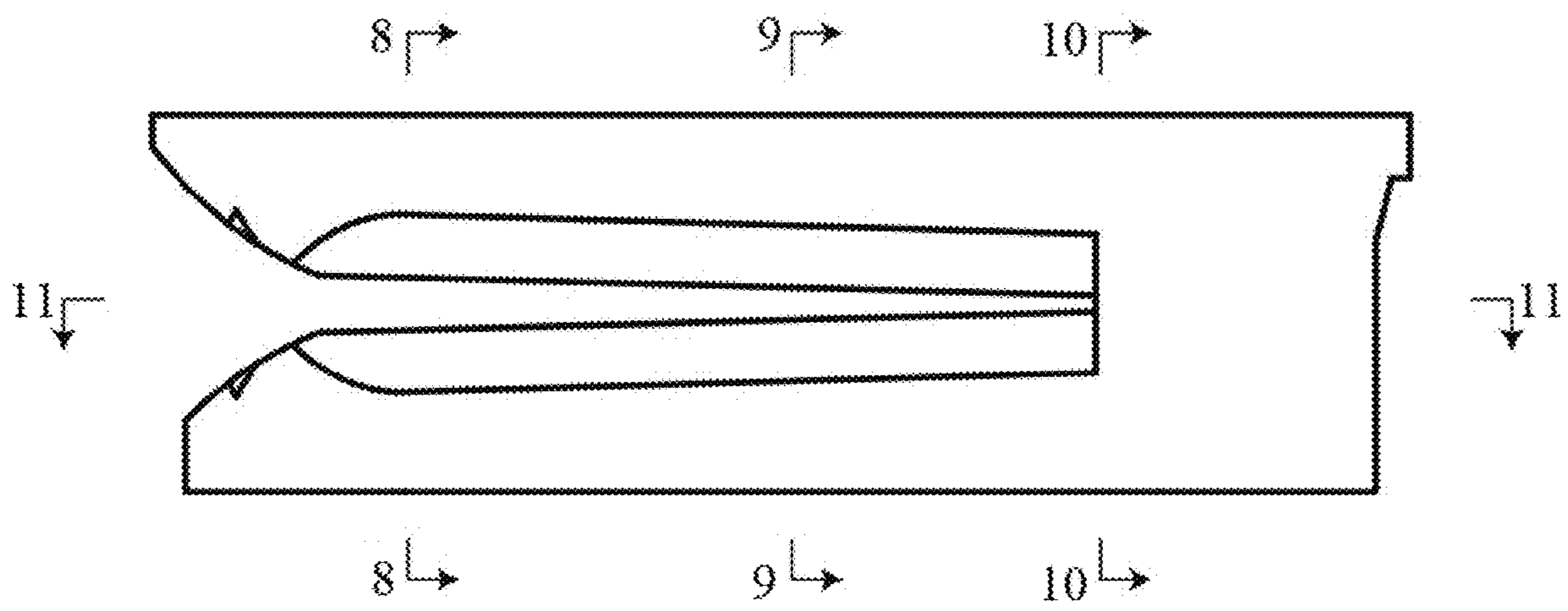


FIG.5

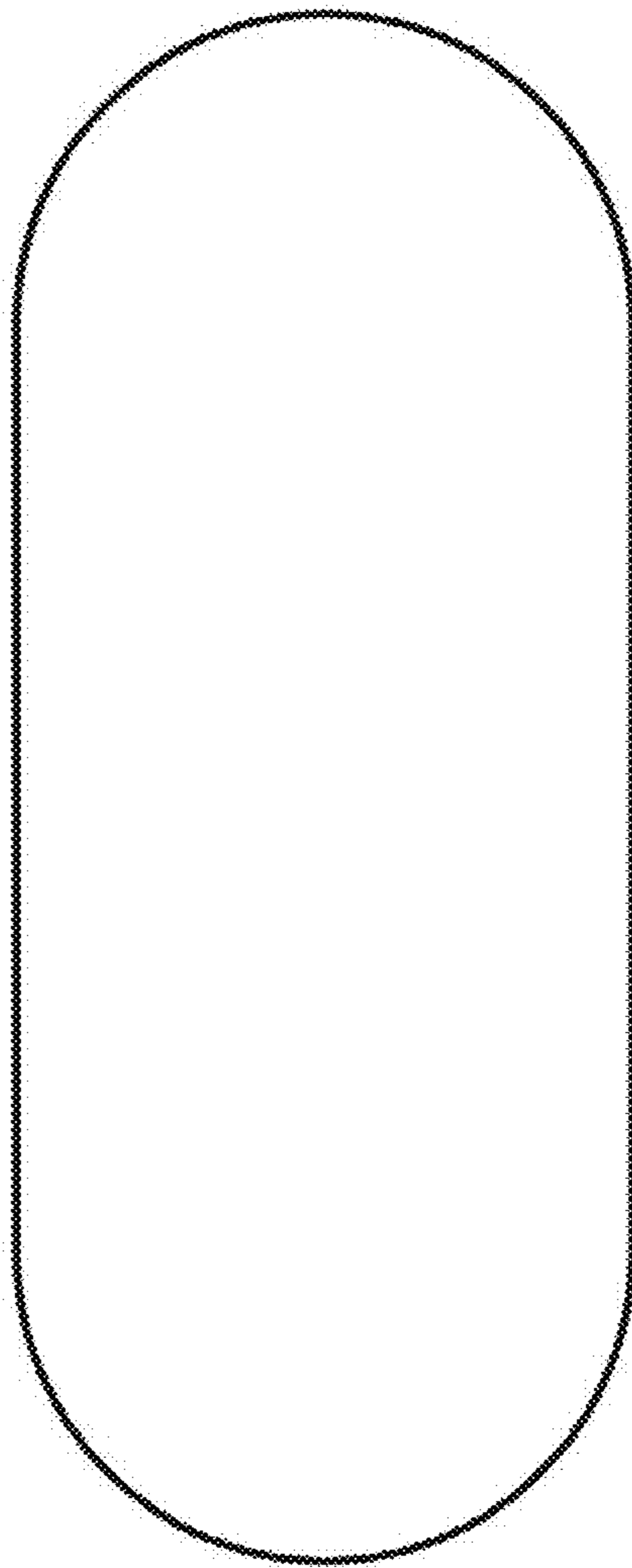


FIG.6

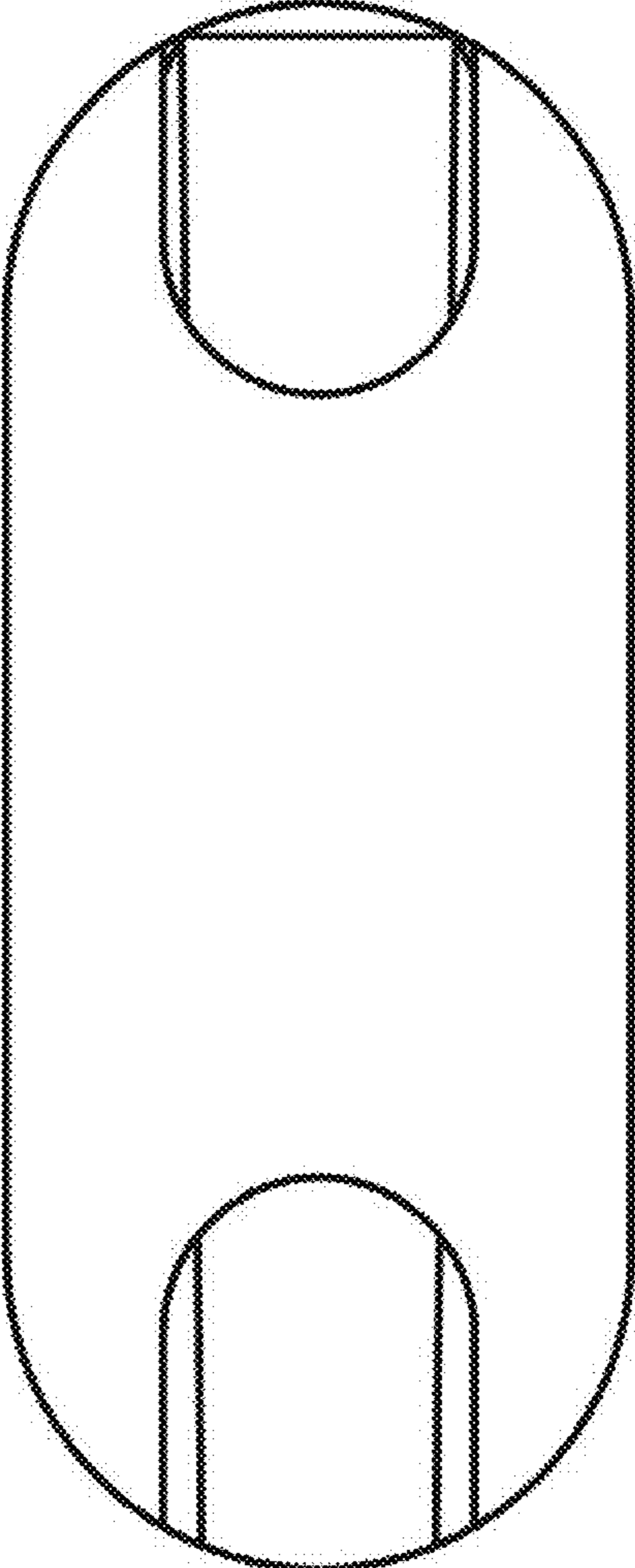


FIG.7

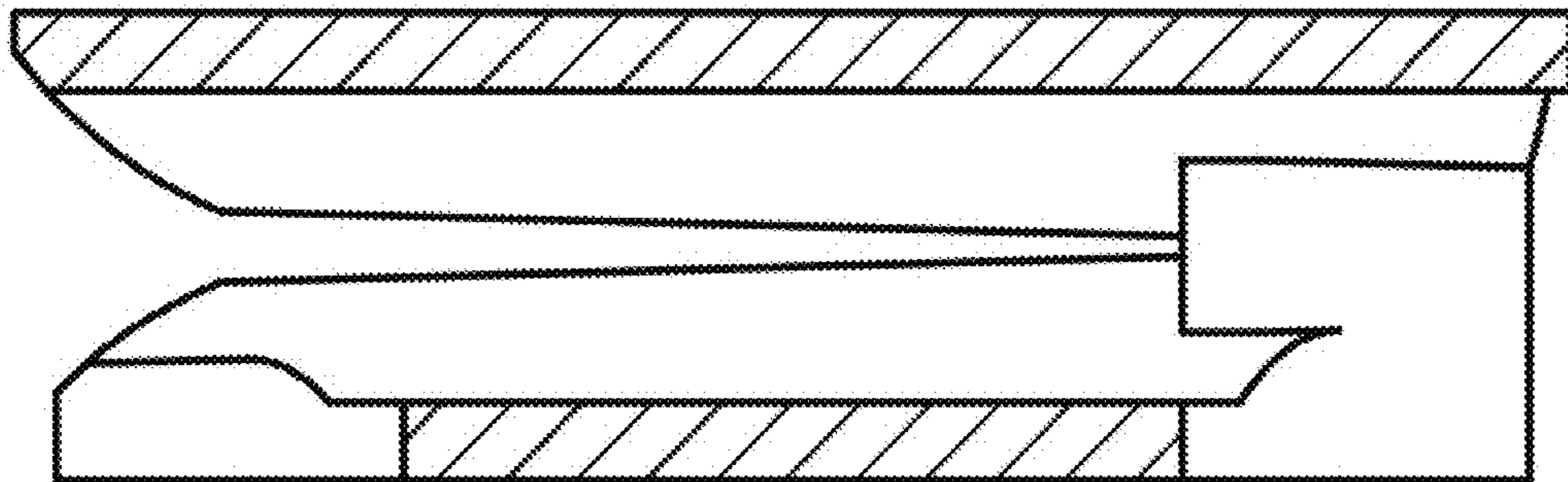


FIG.8

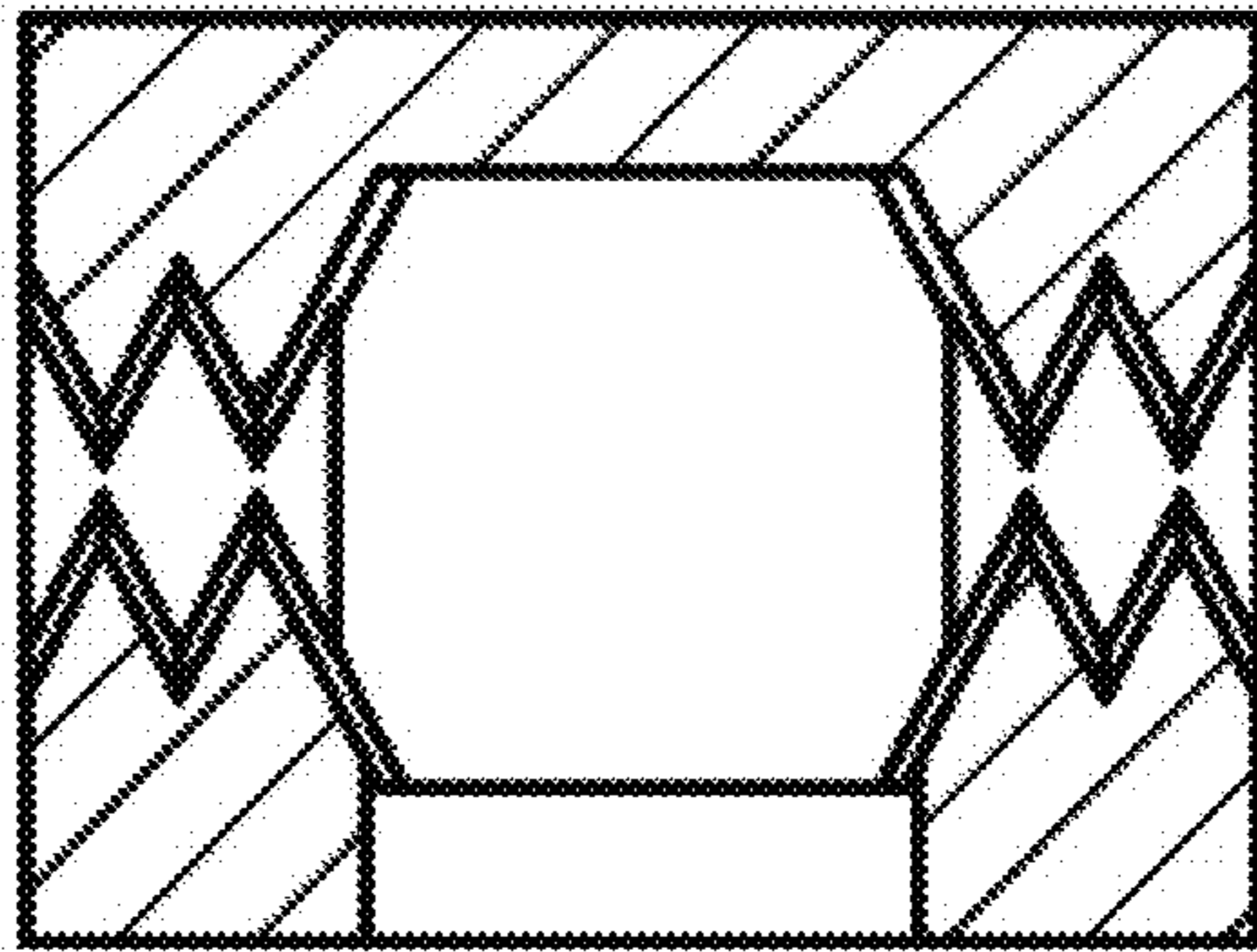


FIG.9

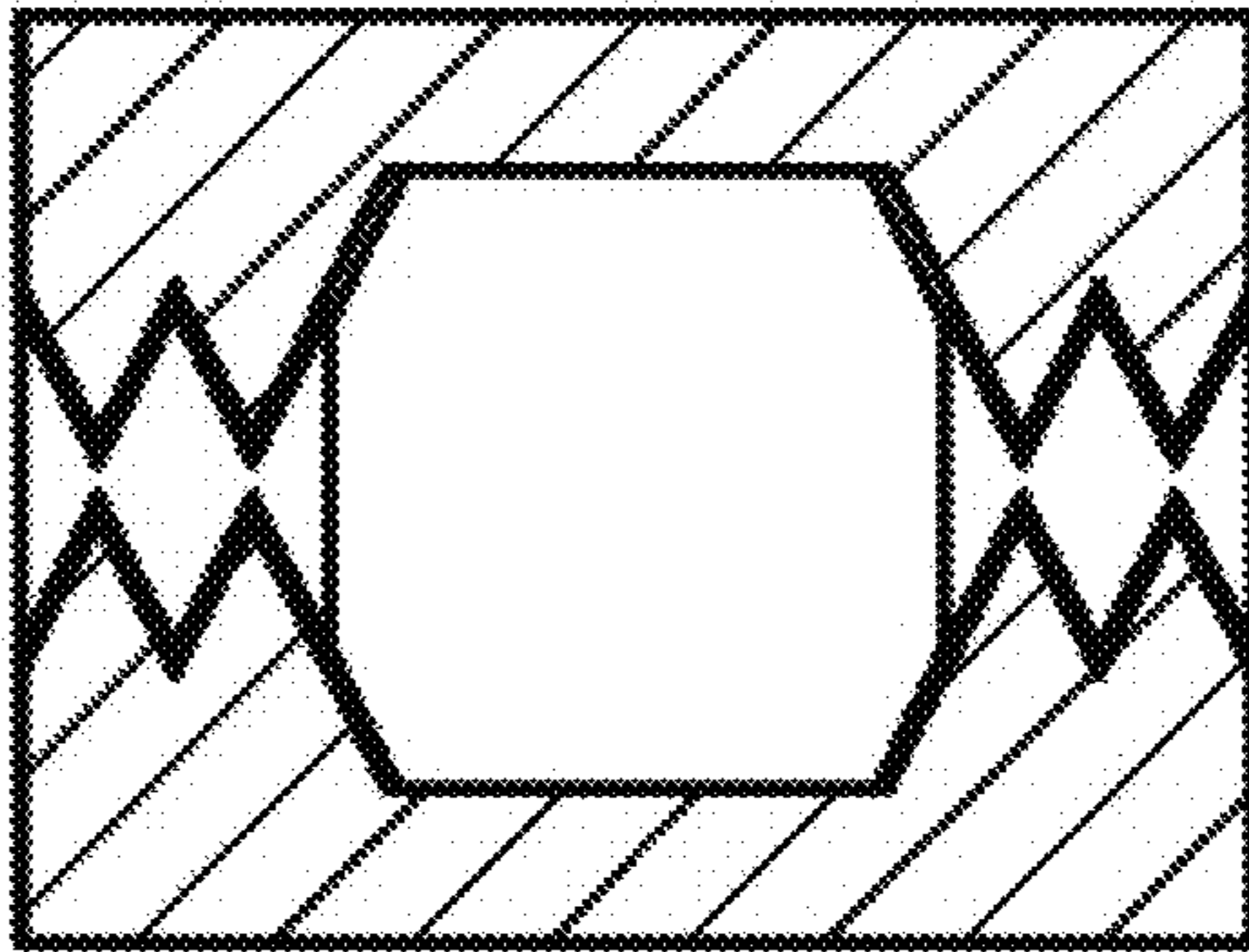


FIG.10

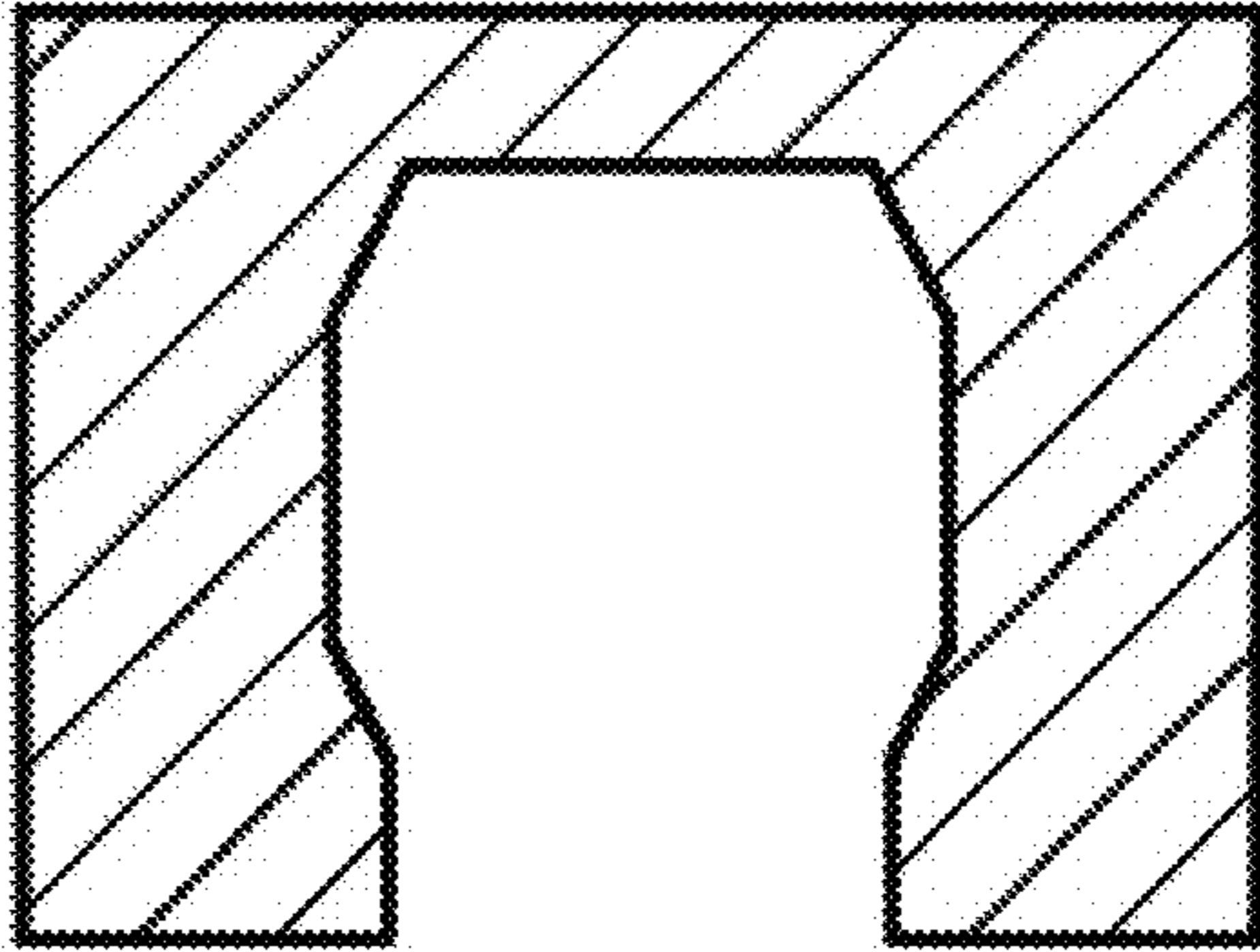


FIG.11

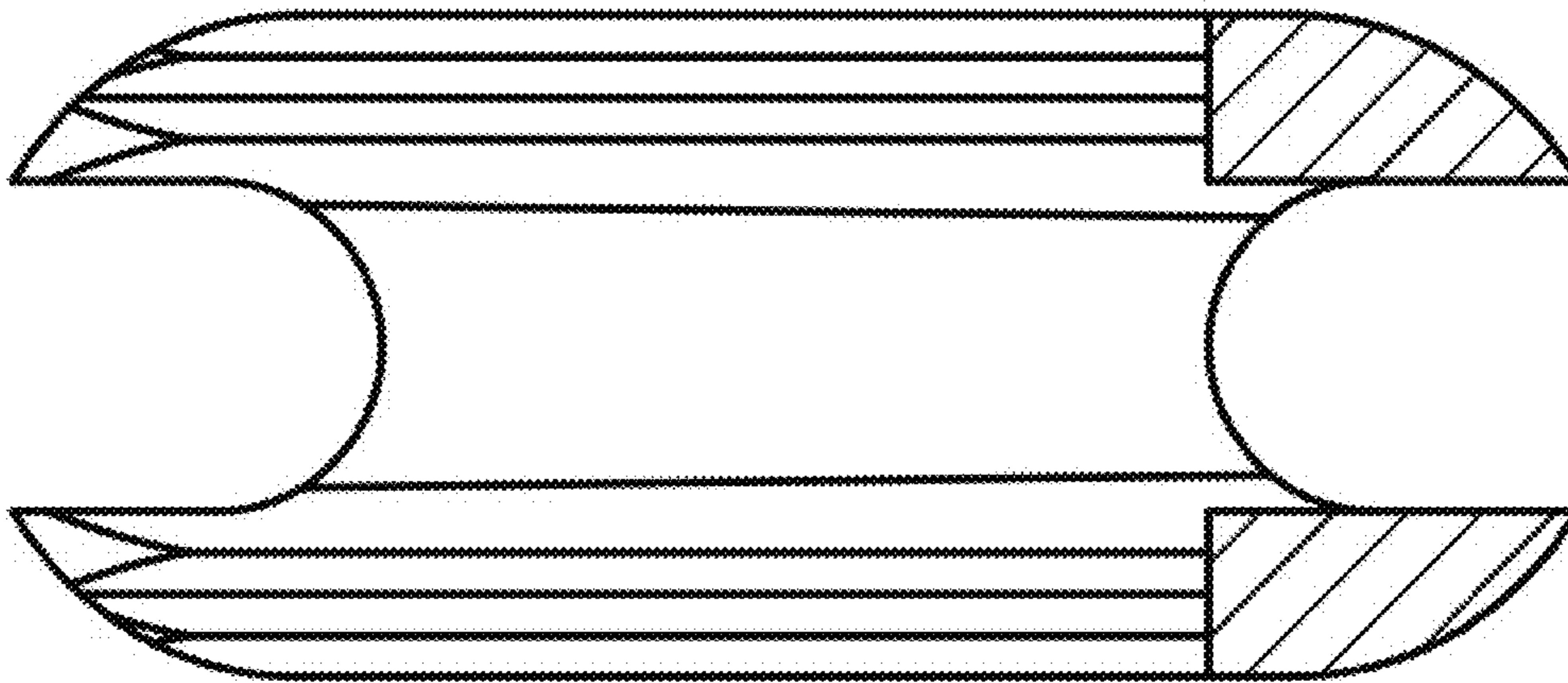


FIG.12

