



US00D927835S

(12) **United States Design Patent**
Sundararajan

(10) **Patent No.:** **US D927,835 S**

(45) **Date of Patent:** **** Aug. 17, 2021**

(54) **RUNNING BAND**

(71) Applicant: **Priya Sundararajan**, Exton, PA (US)

(72) Inventor: **Priya Sundararajan**, Exton, PA (US)

(**) Term: **15 Years**

(21) Appl. No.: **29/644,001**

(22) Filed: **Apr. 13, 2018**

(51) **LOC (13) Cl.** **02-03**

(52) **U.S. Cl.**

USPC **D2/875**; D21/692

(58) **Field of Classification Search**

USPC D2/500, 600, 602, 865, 866, 869, 870,
D2/871, 872, 874, 875, 877, 891, 892,
D2/894, 895; D21/662, 683, 684, 692,
D21/797; D11/4, 26; D24/191; D28/41

CPC A41D 20/00; A41D 20/005; A41D 23/00;
A42B 1/00; A42B 1/002; A42B 1/004;
A42B 1/006; A42B 1/02; A42B 1/069;
A42B 1/08; A42B 1/14; A42B 1/205;
A42B 1/208; A42B 1/22; A42B 1/24;
A42B 3/00; A42B 7/00; A42B 1/06;
A42C 5/00; A42C 5/02; A42C 5/04;
A45D 8/36

See application file for complete search history.

(56) **References Cited**

U.S. PATENT DOCUMENTS

D30,327 S * 3/1899 Bliss D2/894
D192,070 S * 1/1962 Wall D29/112
D206,992 S * 2/1967 Skier D2/877

D315,812 S * 3/1991 Cionni D16/339
D351,052 S * 10/1994 Russell D2/894
D374,333 S * 10/1996 Davis D2/894
D404,807 S * 1/1999 Nepsund D2/894
D620,688 S * 8/2010 Ross D2/875
D723,740 S * 3/2015 Jenkins A45D 8/36
D28/41
9,173,467 B2 * 11/2015 Passarello A45D 8/36
D832,558 S * 11/2018 Hawes D2/875
D833,119 S * 11/2018 Yates D2/875
D852,908 S * 7/2019 Dennisur D21/692

* cited by examiner

Primary Examiner — Jasmine Mlinarcik

(57) **CLAIM**

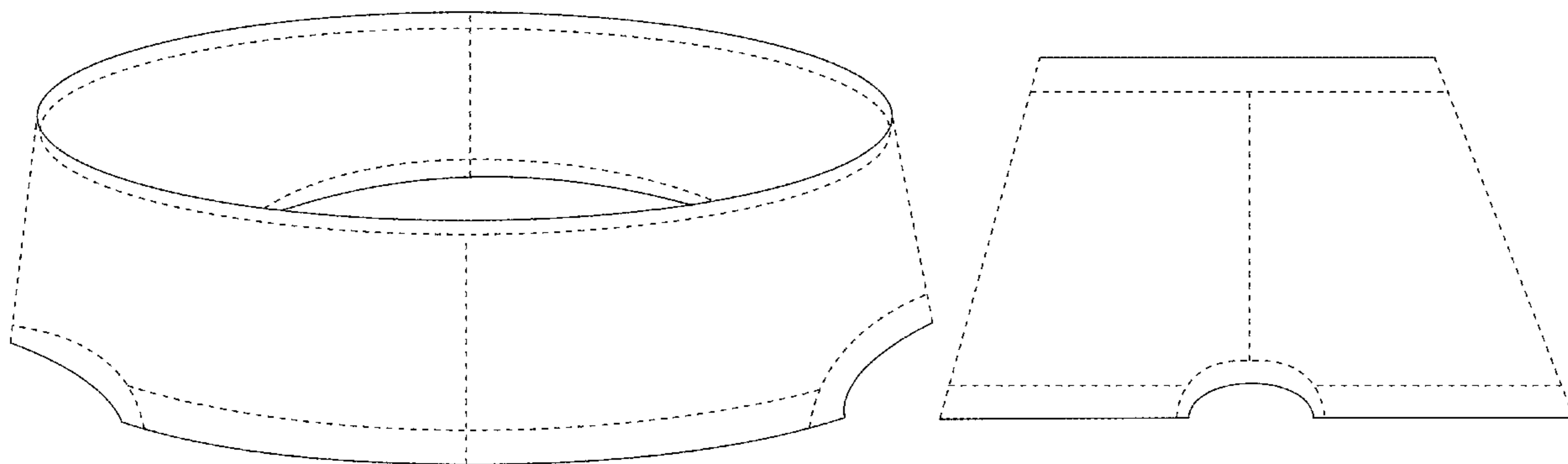
The ornamental design for a running band, as shown and described.

DESCRIPTION

FIG. 1 is a perspective view of the running band showing a new design;
FIG. 2 shows a front view thereof;
FIG. 3 is a rear view thereof;
FIG. 4 is a side view thereof
FIG. 5 is another side view thereof;
FIG. 6 is a top view thereof; and,
FIG. 7 is a bottom view thereof.

In the above drawings, the broken lines form no part of the claimed design. The surfaces of the running band between the top perimeter opening edge defined by a solid line and the bottom perimeter edge opening defined by a solid line define portions of the running band that form no part of the claimed design.

1 Claim, 7 Drawing Sheets



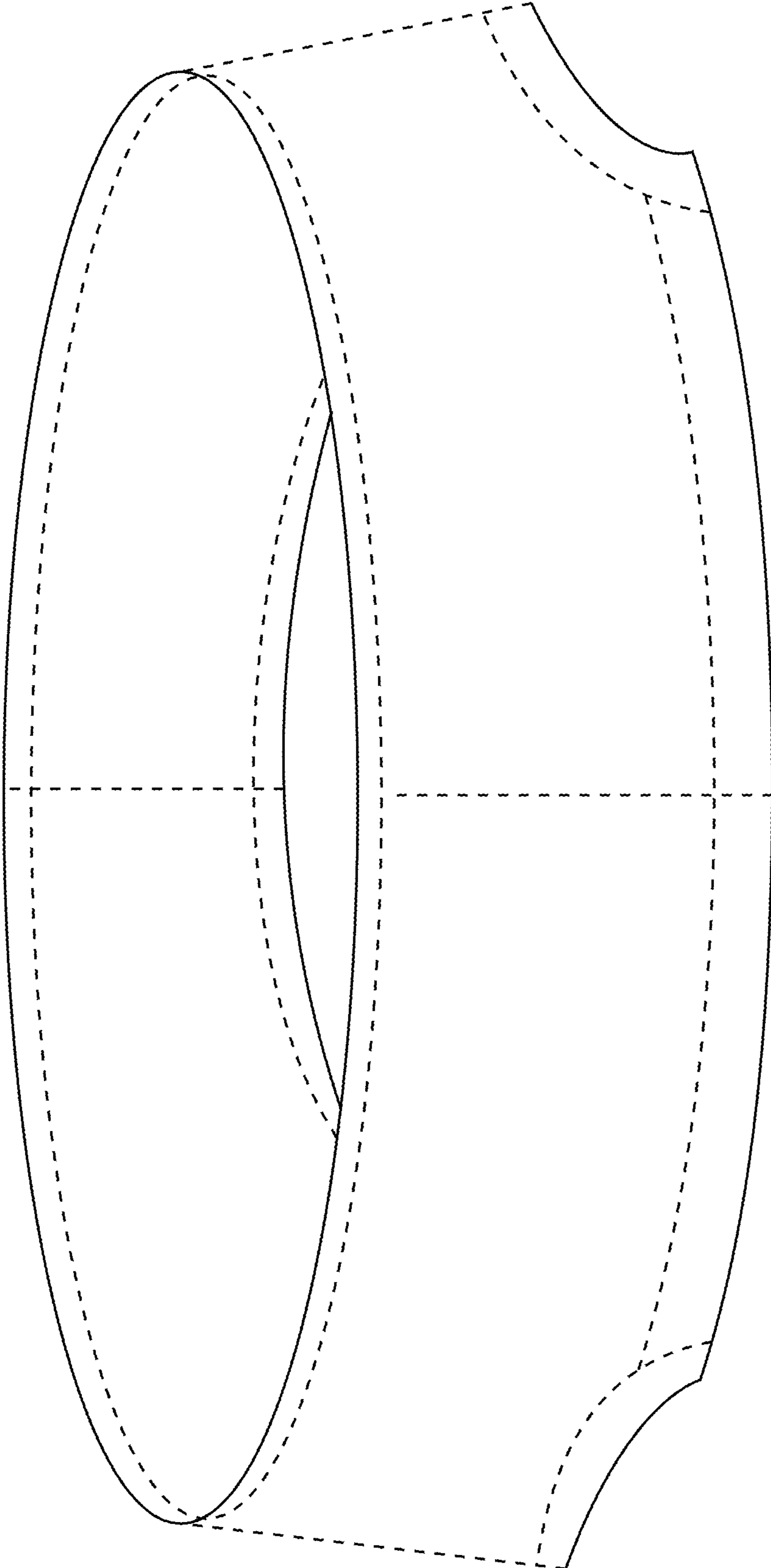


FIG. 1

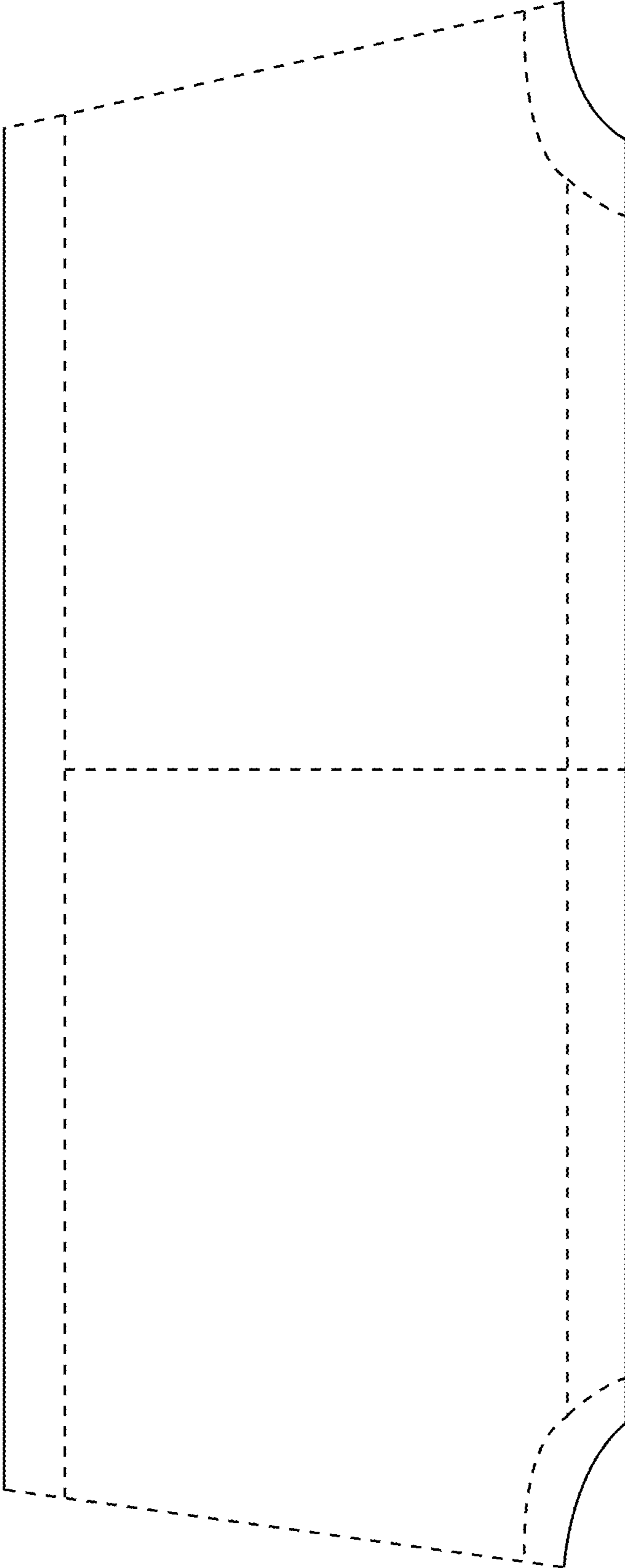


FIG. 2

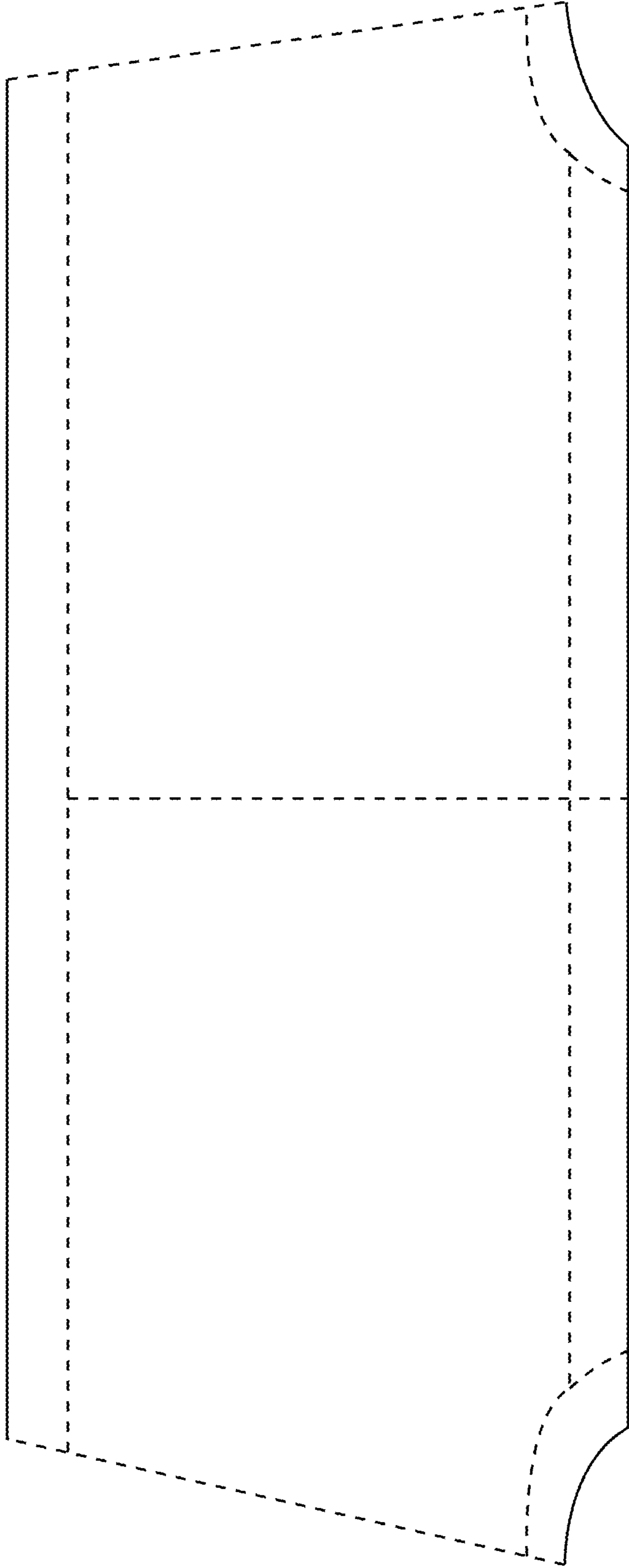


FIG. 3

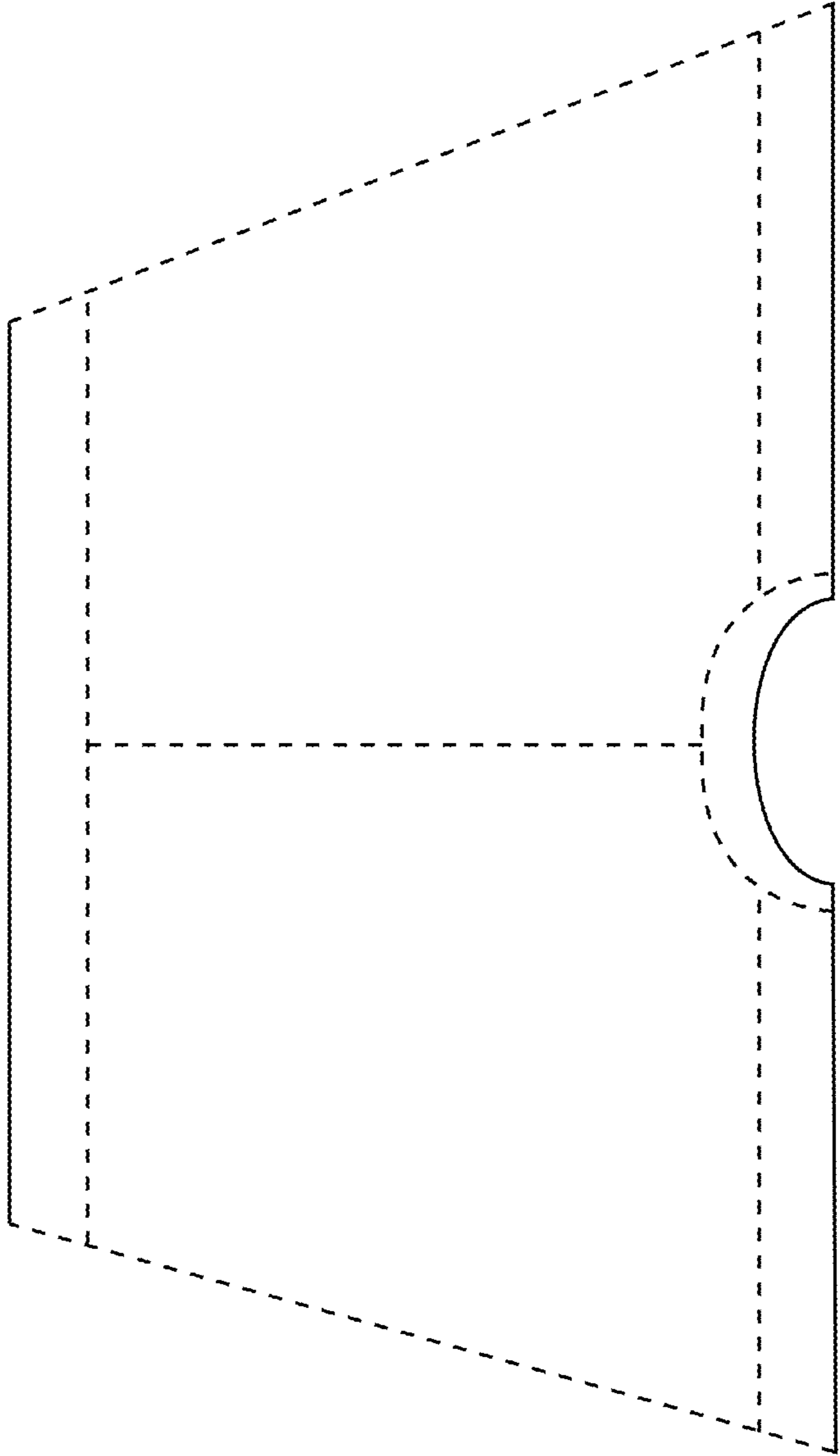


FIG. 4

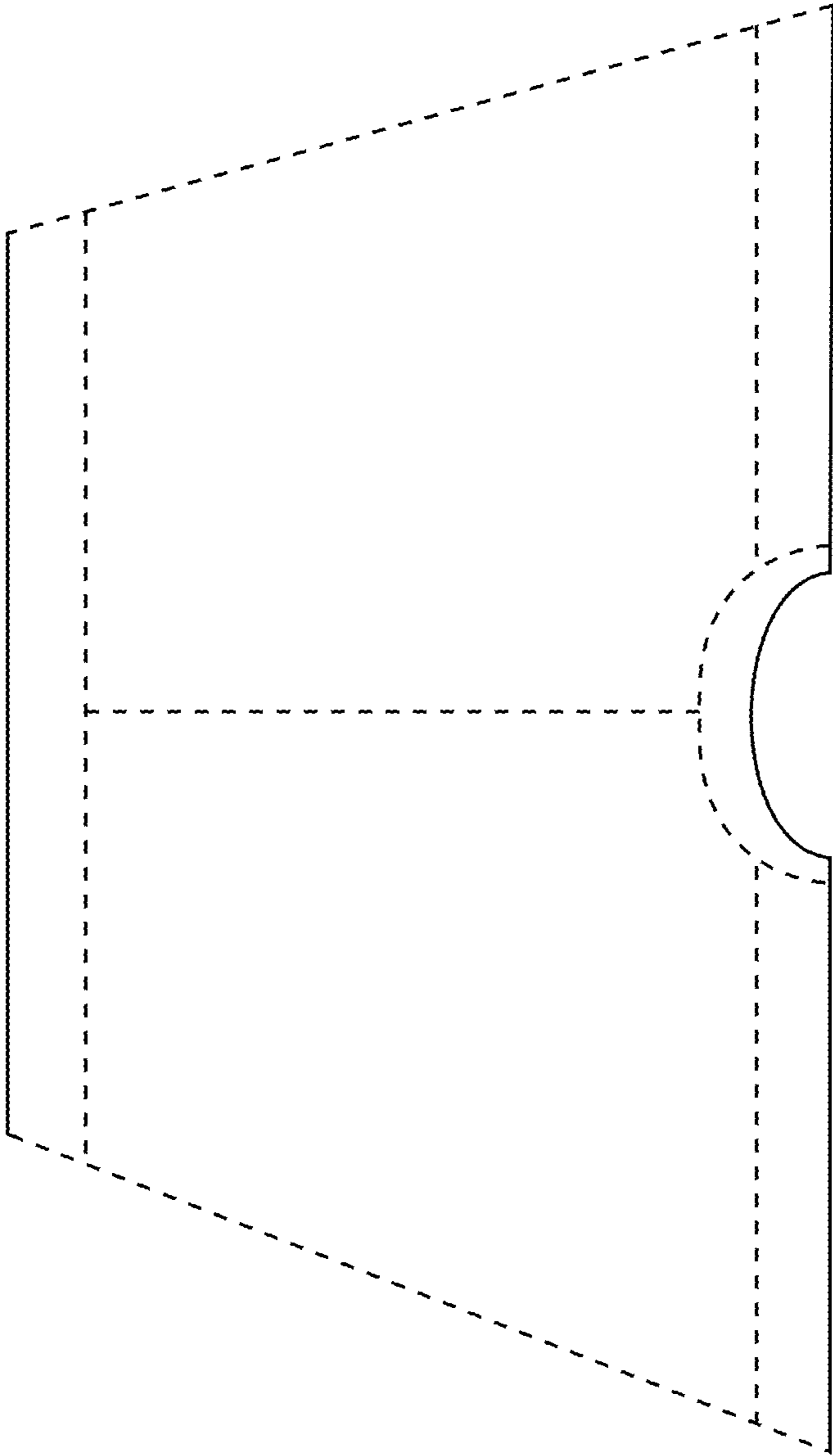


FIG. 5

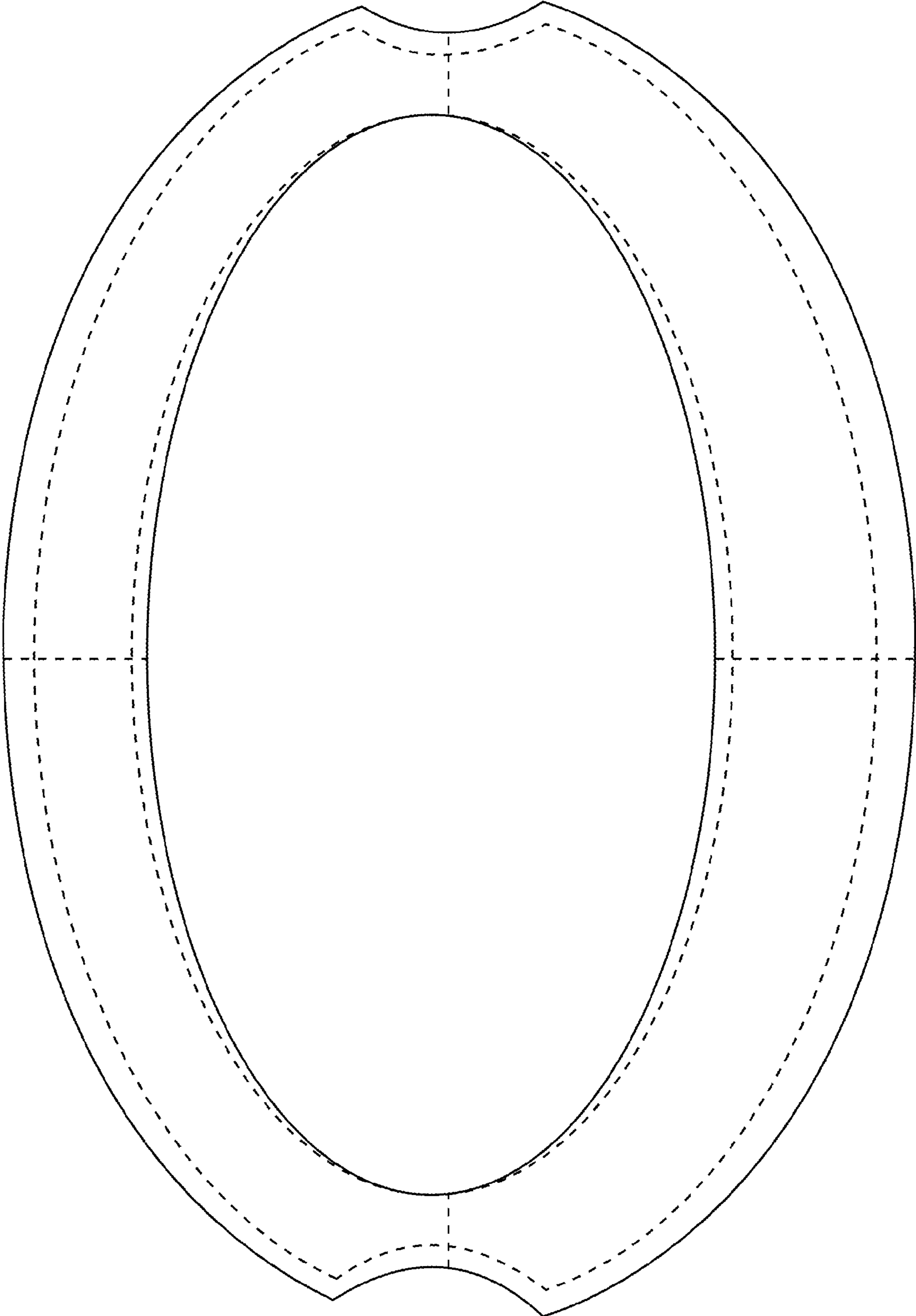


FIG. 6

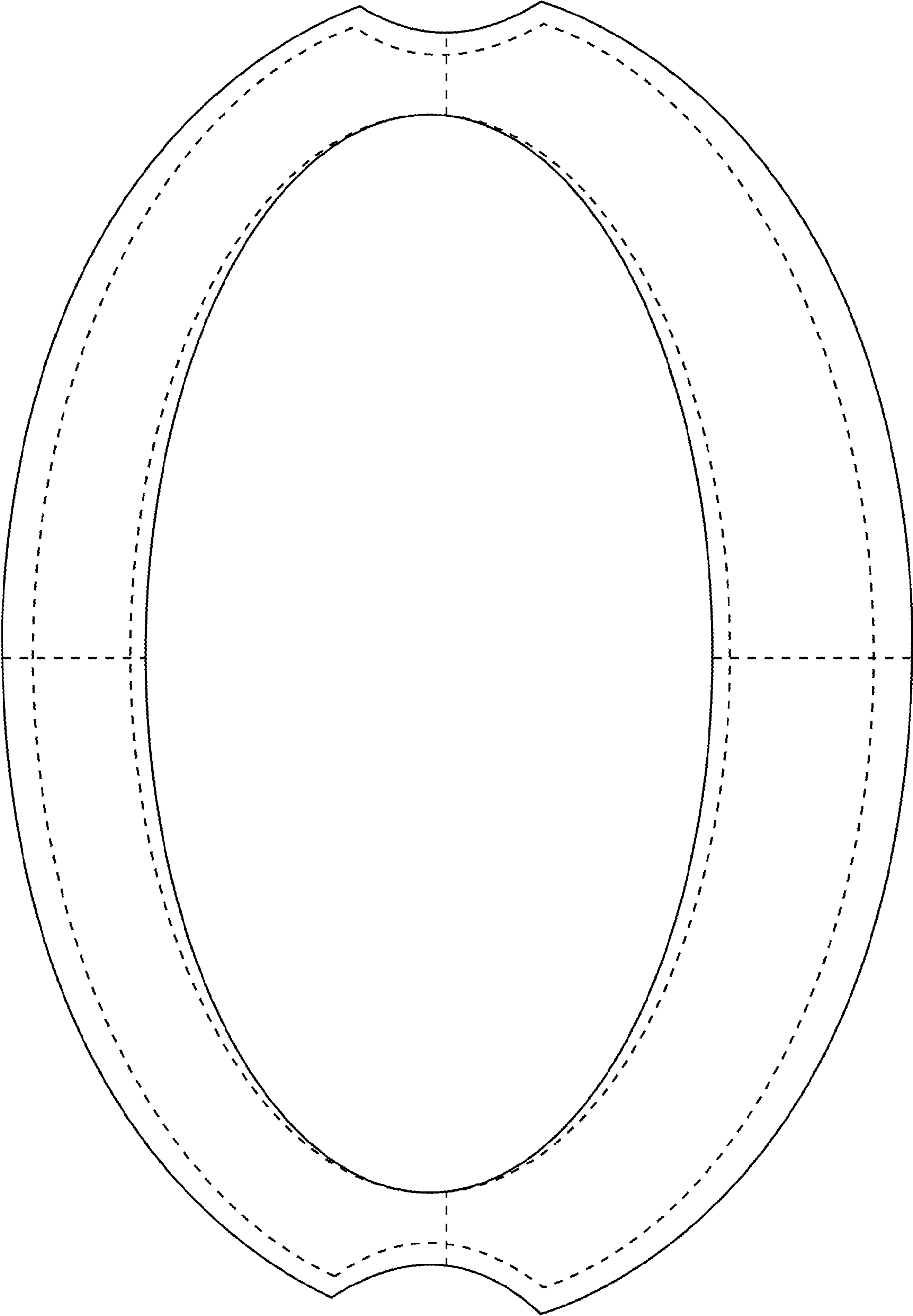


FIG. 7