



US00D927832S

(12) **United States Design Patent**
Weston

(10) **Patent No.:** **US D927,832 S**

(45) **Date of Patent:** **** Aug. 17, 2021**

(54) **PONCHO**

(71) Applicant: **Tara Lynn Weston**, Newberg, OR (US)

(72) Inventor: **Tara Lynn Weston**, Newberg, OR (US)

(**) Term: **15 Years**

(21) Appl. No.: **29/657,003**

(22) Filed: **Jul. 18, 2018**

(51) **LOC (13) Cl.** **02-02**

(52) **U.S. Cl.**
USPC **D2/860**

(58) **Field of Classification Search**
USPC D2/860, 831, 823-826; 2/84, 87, 906
CPC A41D 15/04; A41D 3/04; A41D 3/08
See application file for complete search history.

(56) **References Cited**

U.S. PATENT DOCUMENTS

| | | | | |
|-------------------|---------|------------|-------|-----------|
| D410,382 S * | 6/1999 | Therriault | | D2/823 |
| 6,760,921 B1 * | 7/2004 | Simmons | | A41D 3/08 |
| | | | | 2/84 |
| D600,884 S * | 9/2009 | Patton | | D2/825 |
| D619,333 S * | 7/2010 | Stowell | | D2/823 |
| D677,860 S * | 3/2013 | Kim | | D2/823 |
| D690,486 S * | 10/2013 | Yan | | D2/825 |
| D850,061 S * | 6/2019 | Kelly | | D2/825 |
| D877,461 S * | 3/2020 | Mieszczak | | D2/860 |
| 2008/0209612 A1 * | 9/2008 | Summers | | A41D 3/08 |
| | | | | 2/84 |

2012/0144550 A1* 6/2012 Nejad A41D 3/08
2/84

2013/0239290 A1* 9/2013 Rossi A41D 15/04
2/84

2016/0270460 A1* 9/2016 Rabinowitz A41D 15/04

* cited by examiner

Primary Examiner — Kevin K Rudzinski

Assistant Examiner — J. Thorn, Sr.

(74) *Attorney, Agent, or Firm* — Mark S Hubert

(57) **CLAIM**

I claim the ornamental design for a poncho, as shown and described.

DESCRIPTION

FIG. 1 is a perspective front view of the poncho showing my new design;

FIG. 2 is a front view of the poncho;

FIG. 3 is a rear view of the poncho;

FIG. 4 is a left-side view of the poncho;

FIG. 5 is a right-side view of the poncho;

FIG. 6 is a top view of the poncho;

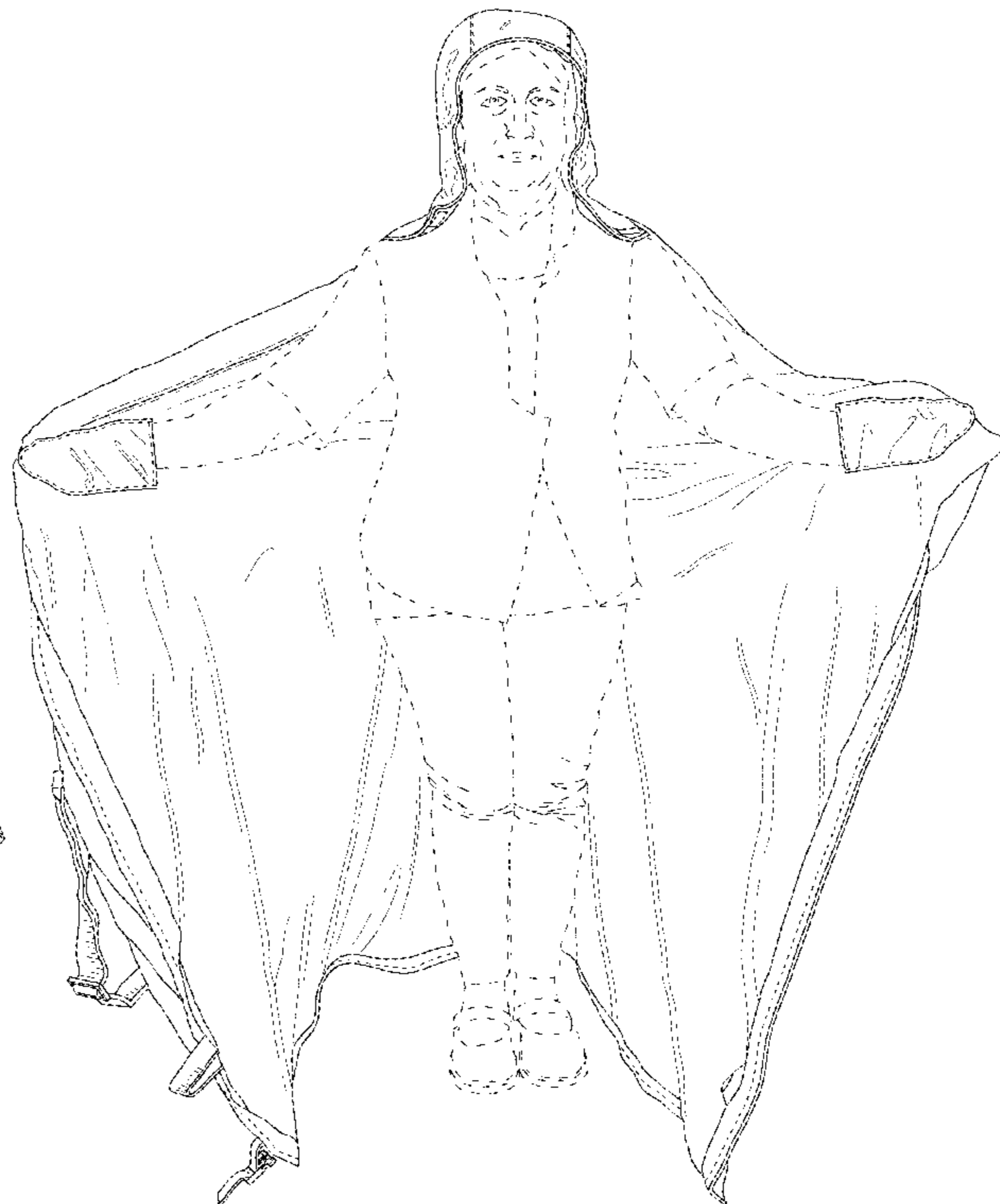
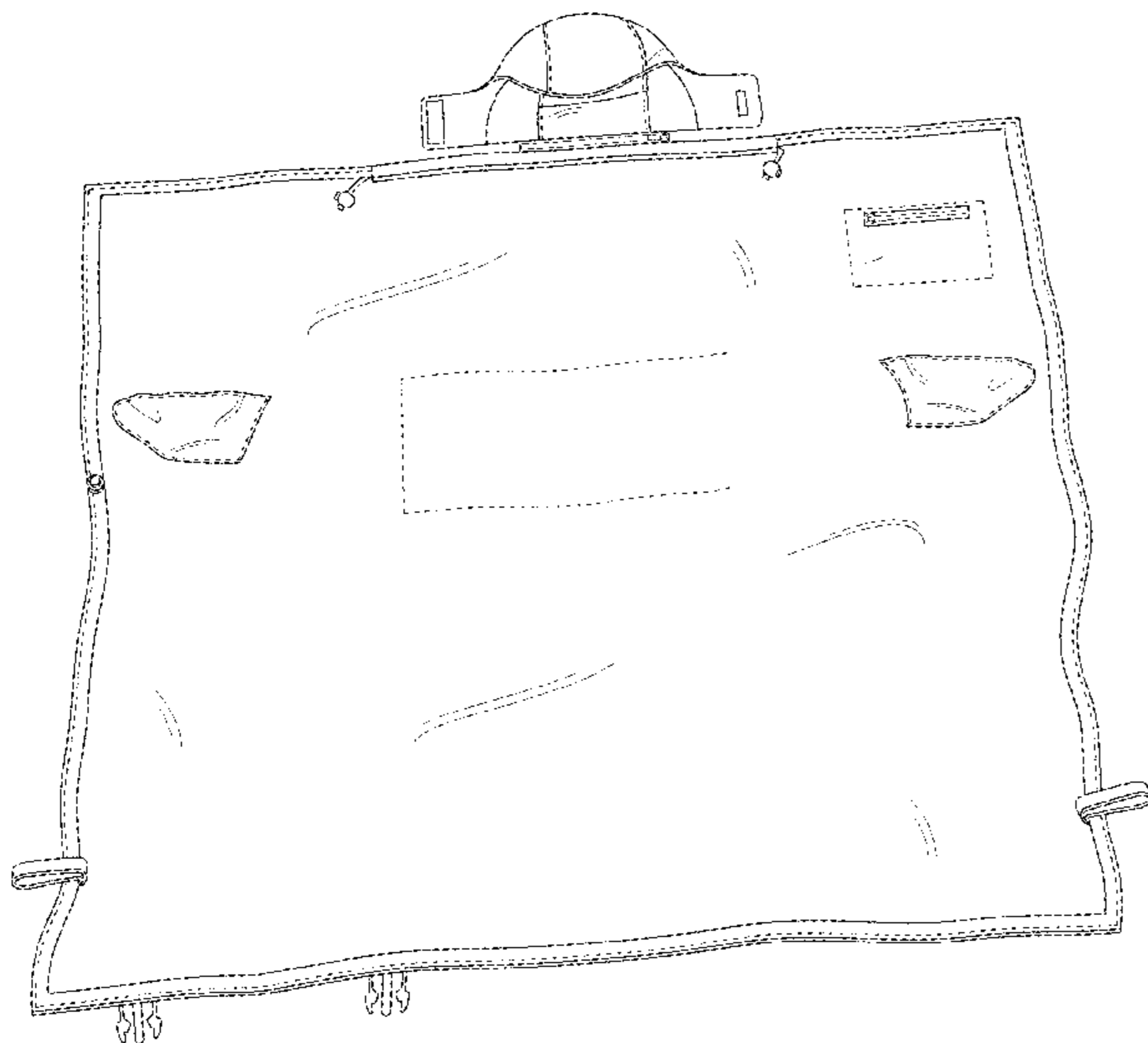
FIG. 7 is a bottom view of the poncho;

FIG. 8 is a perspective front view of the open poncho in use; and,

FIG. 9 is a perspective front view of the closed poncho in use.

The stitching illustrated in broken lines shown in the drawings form part of the claimed design. The person wearing the poncho in FIGS. 8 and 9 shown in broken lines depict environment and from no part of the claimed design.

1 Claim, 7 Drawing Sheets



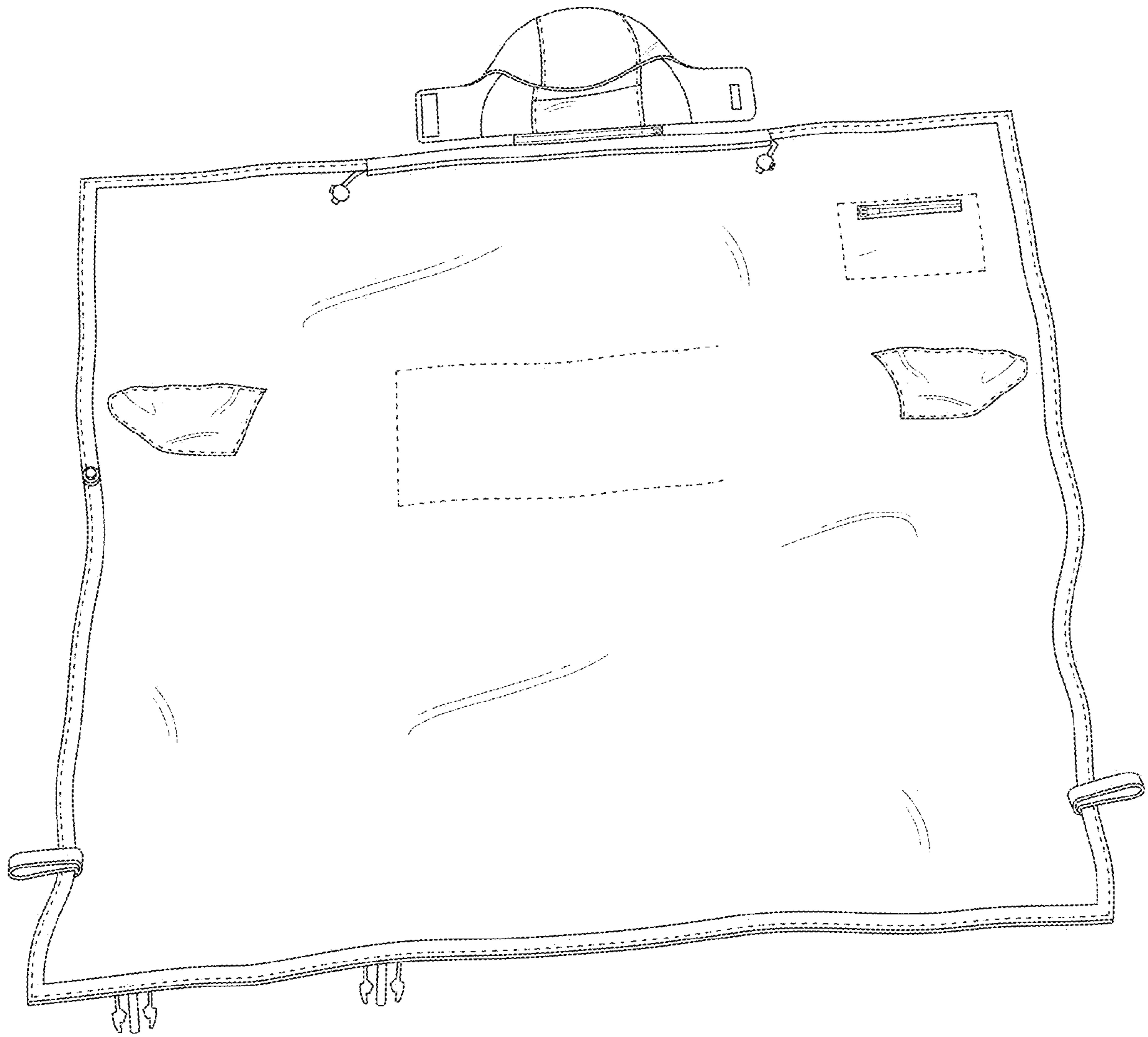


FIG. 1

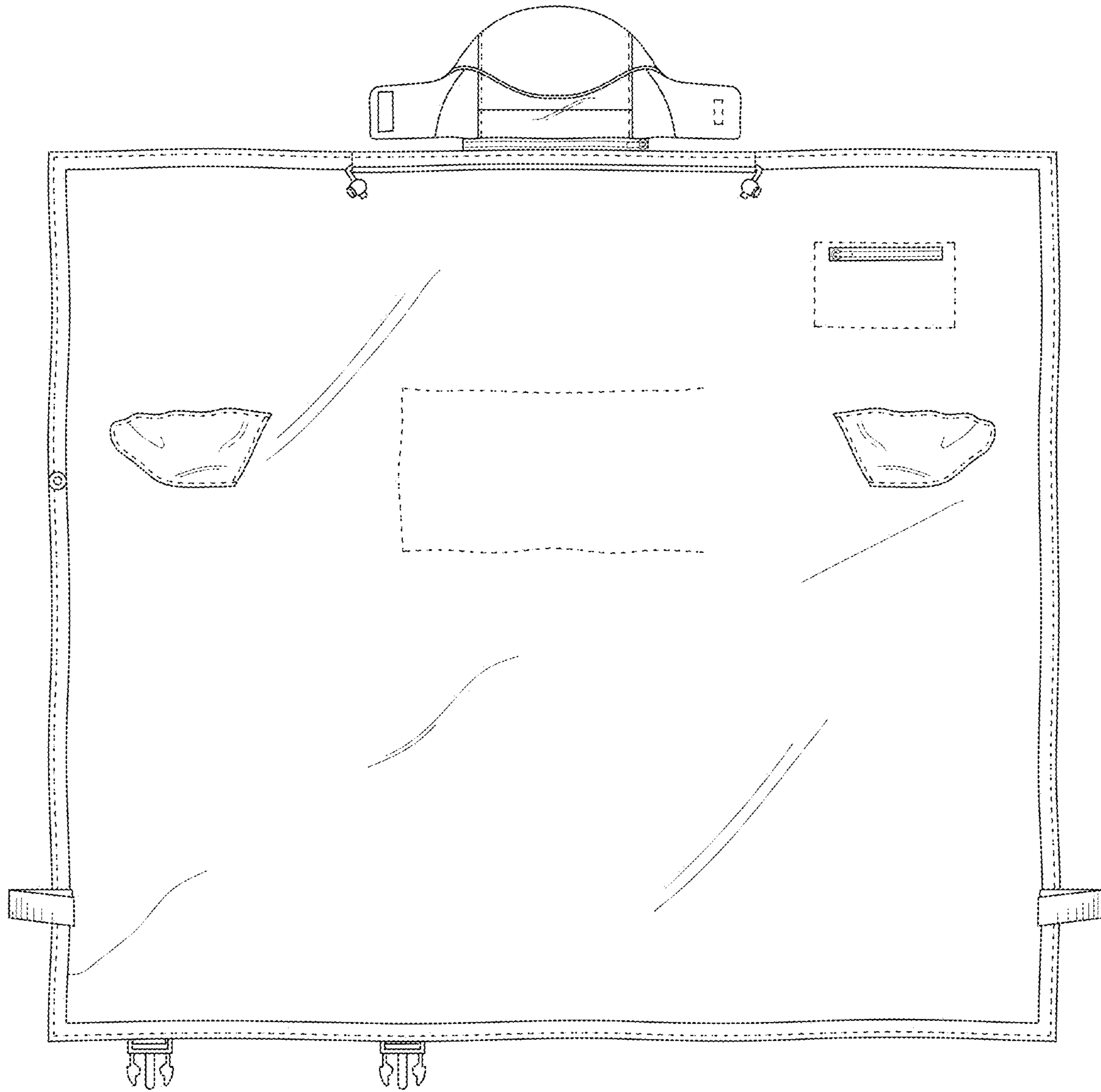


FIG. 2

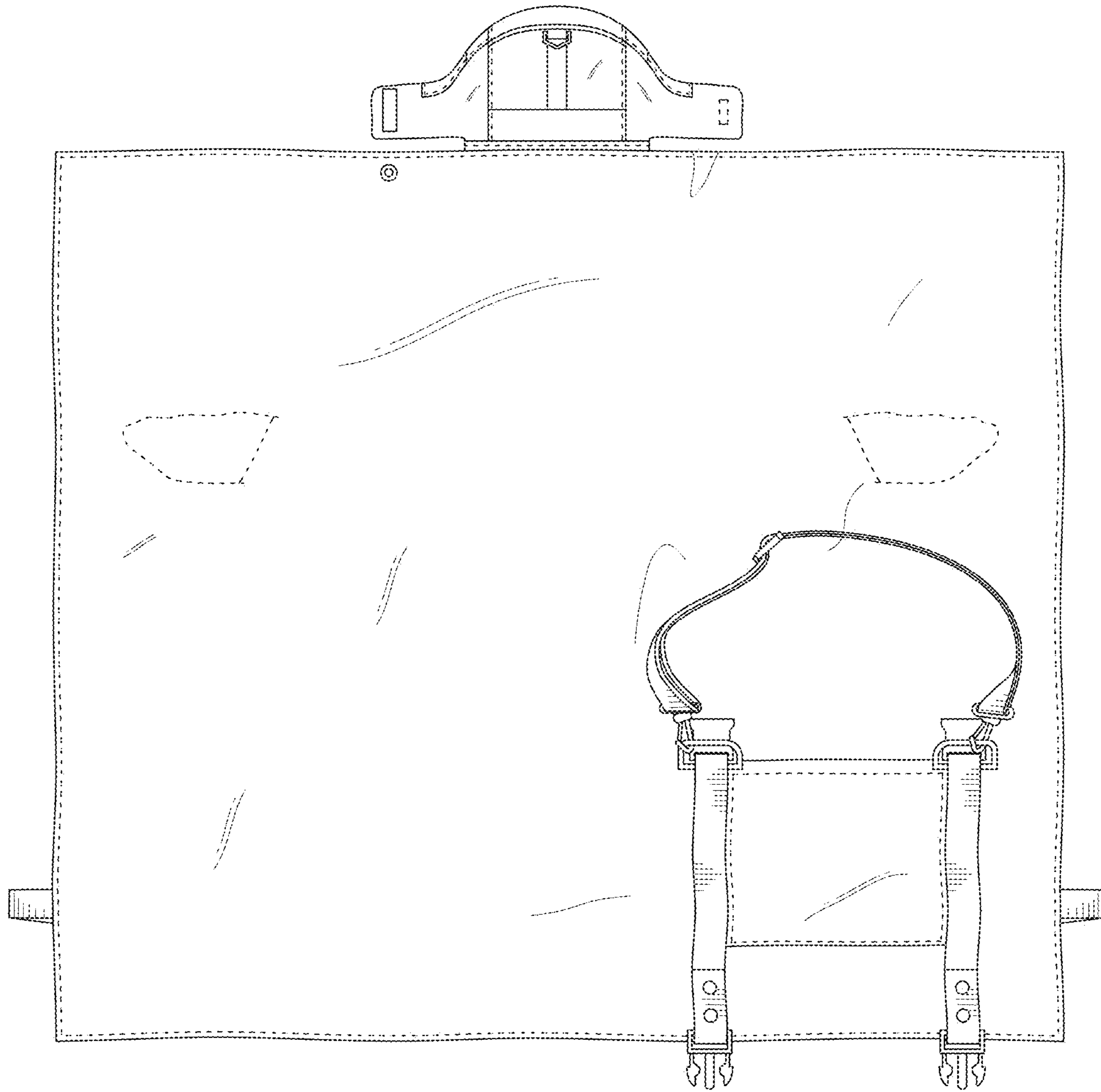


FIG. 3

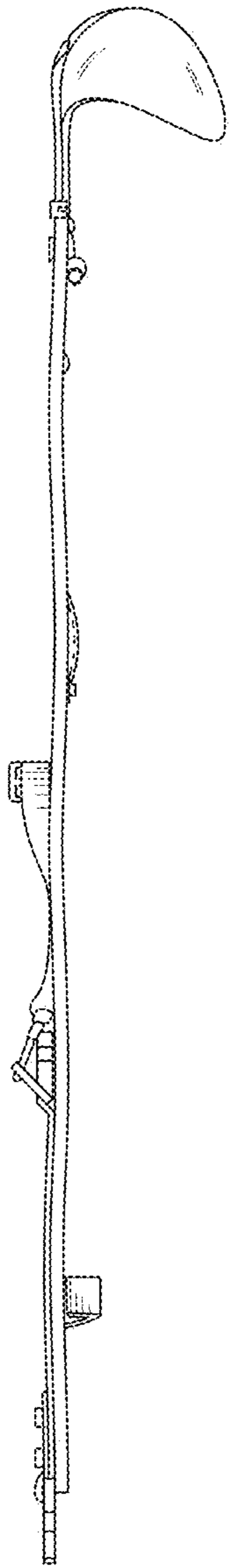


FIG. 4

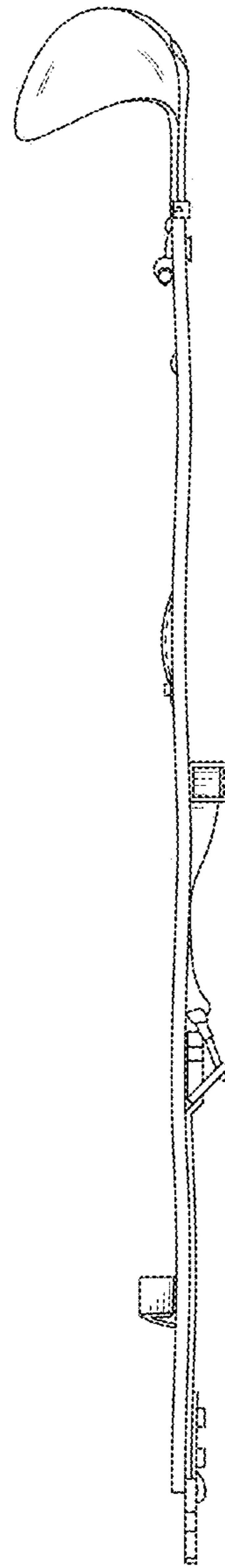


FIG. 5

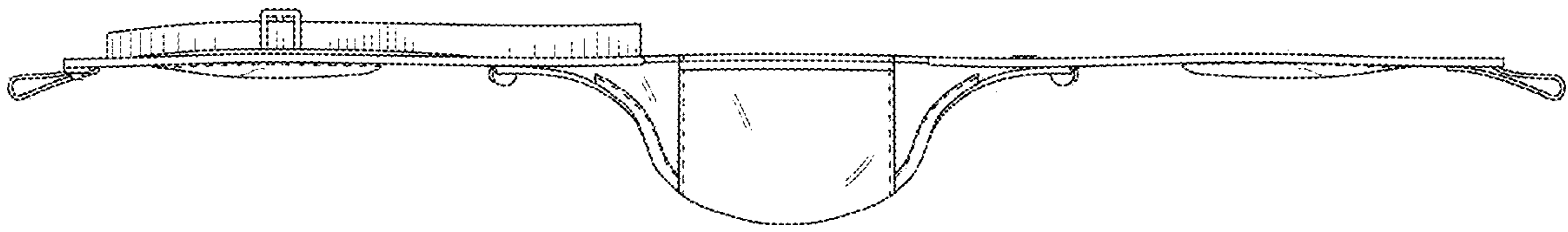


FIG. 6

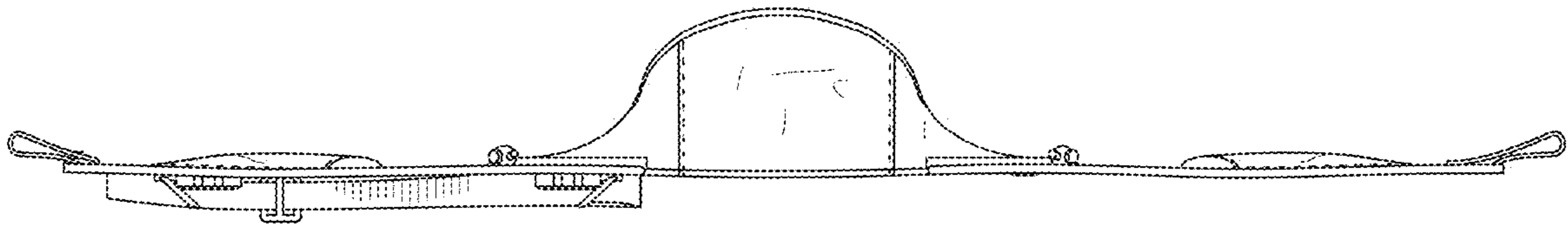


FIG. 7

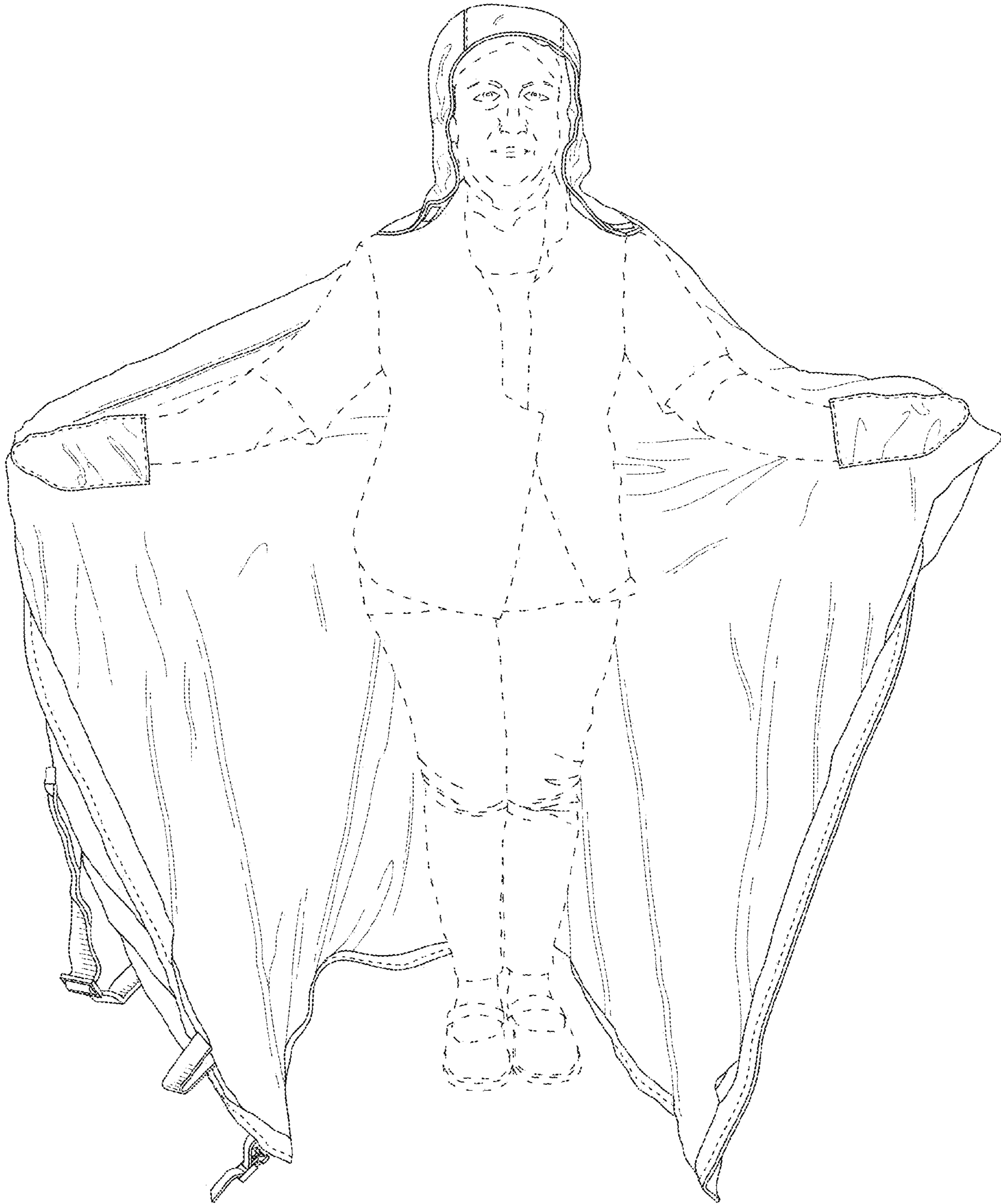


FIG. 8

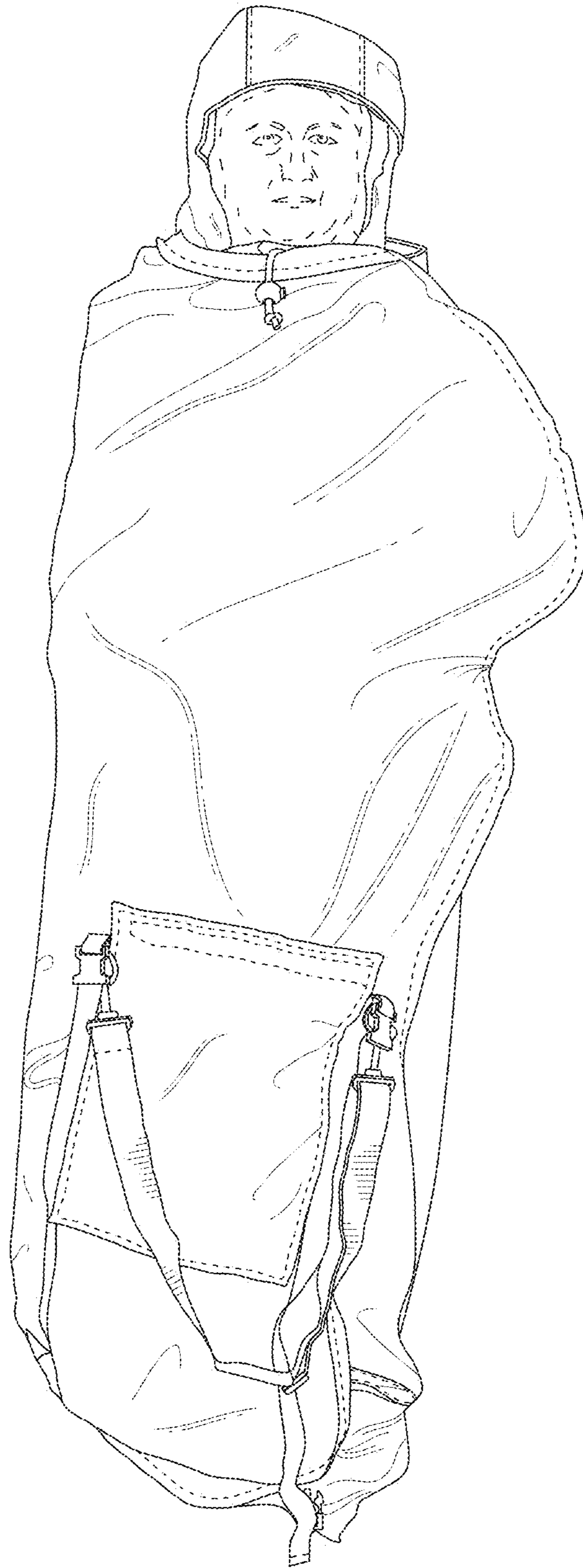


FIG. 9