



US00D927829S

(12) **United States Design Patent** (10) **Patent No.:** **US D927,829 S**
Lee (45) **Date of Patent:** **** Aug. 17, 2021**

(54) **MATERNITY DRESS**
(71) Applicant: **Young Hwa Lee**, Yongin-si (KR)
(72) Inventor: **Young Hwa Lee**, Yongin-si (KR)
(**) Term: **15 Years**
(21) Appl. No.: **29/720,373**
(22) Filed: **Jan. 13, 2020**
(30) **Foreign Application Priority Data**
Dec. 3, 2019 (KR) 30-2019-0058331
(51) **LOC (13) Cl.** **02-02**
(52) **U.S. Cl.**
USPC **D2/756**
(58) **Field of Classification Search**
USPC D2/502, 611, 705, 707, 720, 725, 728,
D2/733, 735, 752, 756, 757, 759, 760,
D2/762, 764, 773, 774, 776, 777, 779,
D2/780, 781, 782, 785, 786, 787, 790,
D2/791, 792, 795, 796, 800, 801, 804,
D2/811, 813, 814, 815, 817, 819, 821,
D2/822, 823, 826, 828, 830, 833, 834,
D2/836, 837, 839, 851, 852, 853, 858
CPC A41D 1/22; A41D 15/002; A41D 15/00;
A41D 15/005; A41D 2400/38; A41D 1/21
See application file for complete search history.

(56) **References Cited**
U.S. PATENT DOCUMENTS
1,645,995 A * 10/1927 McCarthy A41D 13/0518
2/92
2,385,877 A * 10/1945 Morgan A41D 23/00
2/92
4,803,740 A * 2/1989 Dawson A41D 1/21
2/215
6,550,067 B2 * 4/2003 Force A41D 1/215
2/104

D539,512 S * 4/2007 Ota D2/844
D560,879 S * 2/2008 Hines A41D 1/21
D2/840
D573,776 S * 7/2008 Thunstedt A41C 3/08
D2/840
8,062,093 B2 * 11/2011 DeSousa A41B 9/06
450/30
8,152,591 B2 * 4/2012 De Sousa A41C 3/08
450/1
D661,463 S * 6/2012 De Sousa A41C 3/08
D2/700
D725,869 S * 4/2015 Diehl A41B 9/06
D2/609
D754,420 S * 4/2016 Greenblat A41D 23/00
D2/840
D894,534 S * 9/2020 Pettigrew A41D 1/215
D2/720
2001/0039672 A1 * 11/2001 Force A41D 1/215
2/104

(Continued)

Primary Examiner — Kevin K Rudzinski
Assistant Examiner — Amber J Rabie
(74) *Attorney, Agent, or Firm* — Rabin & Berdo, P.C.

(57) **CLAIM**

The ornamental design for a maternity dress, as shown and described.

DESCRIPTION

FIG. 1 is a perspective view of a maternity dress showing my new design;
FIG. 2 is a front view thereof;
FIG. 3 is a rear view thereof;
FIG. 4 is a left side view thereof;
FIG. 5 is a right side view thereof;
FIG. 6 is a top view thereof; and,
FIG. 7 is a bottom view thereof.
The broken lines depict portions of the maternity dress that form no part of the claimed design.

1 Claim, 6 Drawing Sheets



(56)

References Cited

U.S. PATENT DOCUMENTS

2007/0281585 A1* 12/2007 Calamari A41B 9/06
450/1
2010/0178846 A1* 7/2010 Brooker A41B 1/22
450/1
2010/0203803 A1* 8/2010 Murphy A41C 3/08
450/28
2010/0223713 A1* 9/2010 De Sousa A41C 3/08
2/244
2012/0220191 A1* 8/2012 Murphy A41C 3/08
450/28
2020/0121006 A1* 4/2020 Randall A41D 13/1245

* cited by examiner



FIG. 1

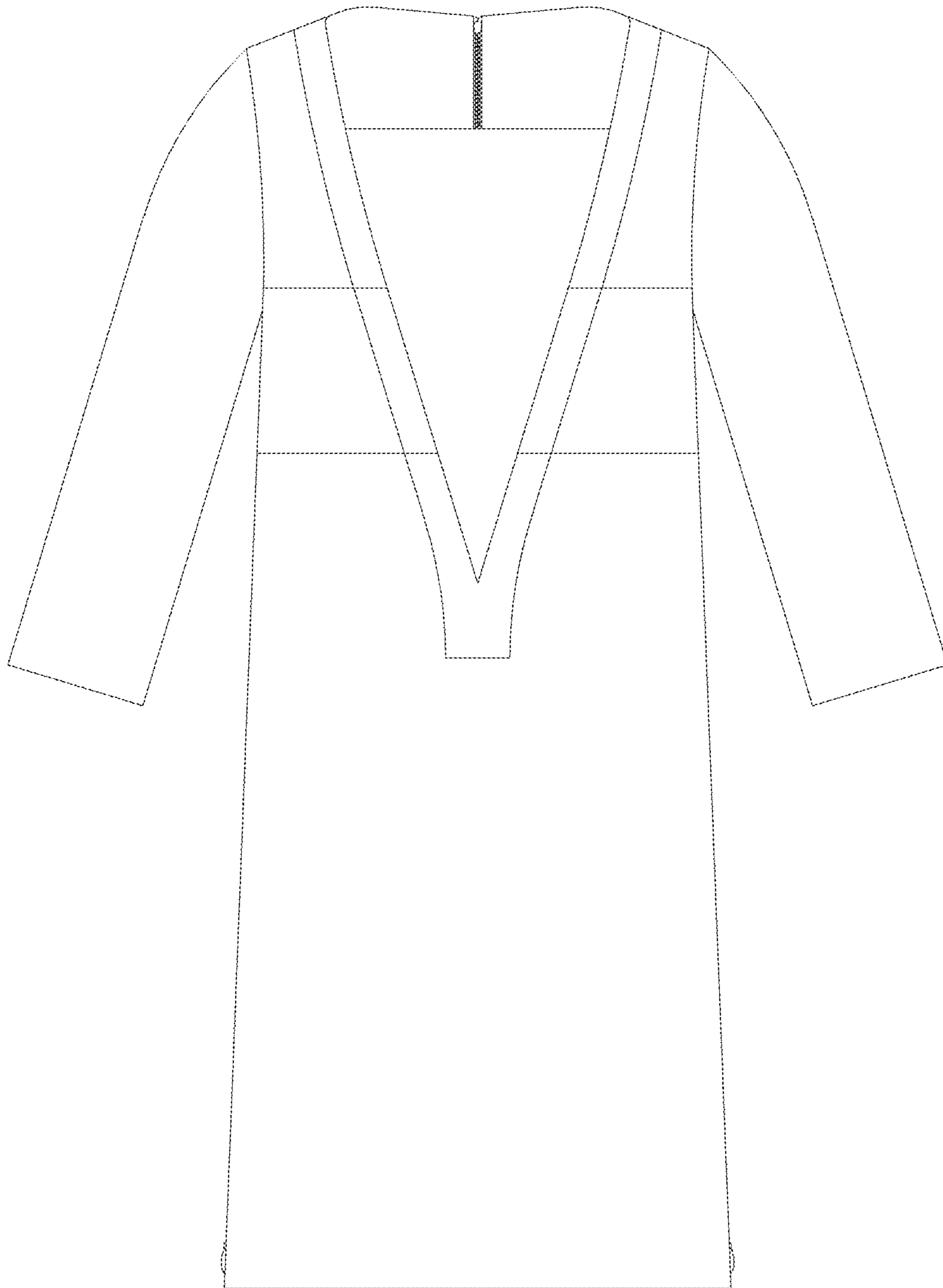


FIG. 2

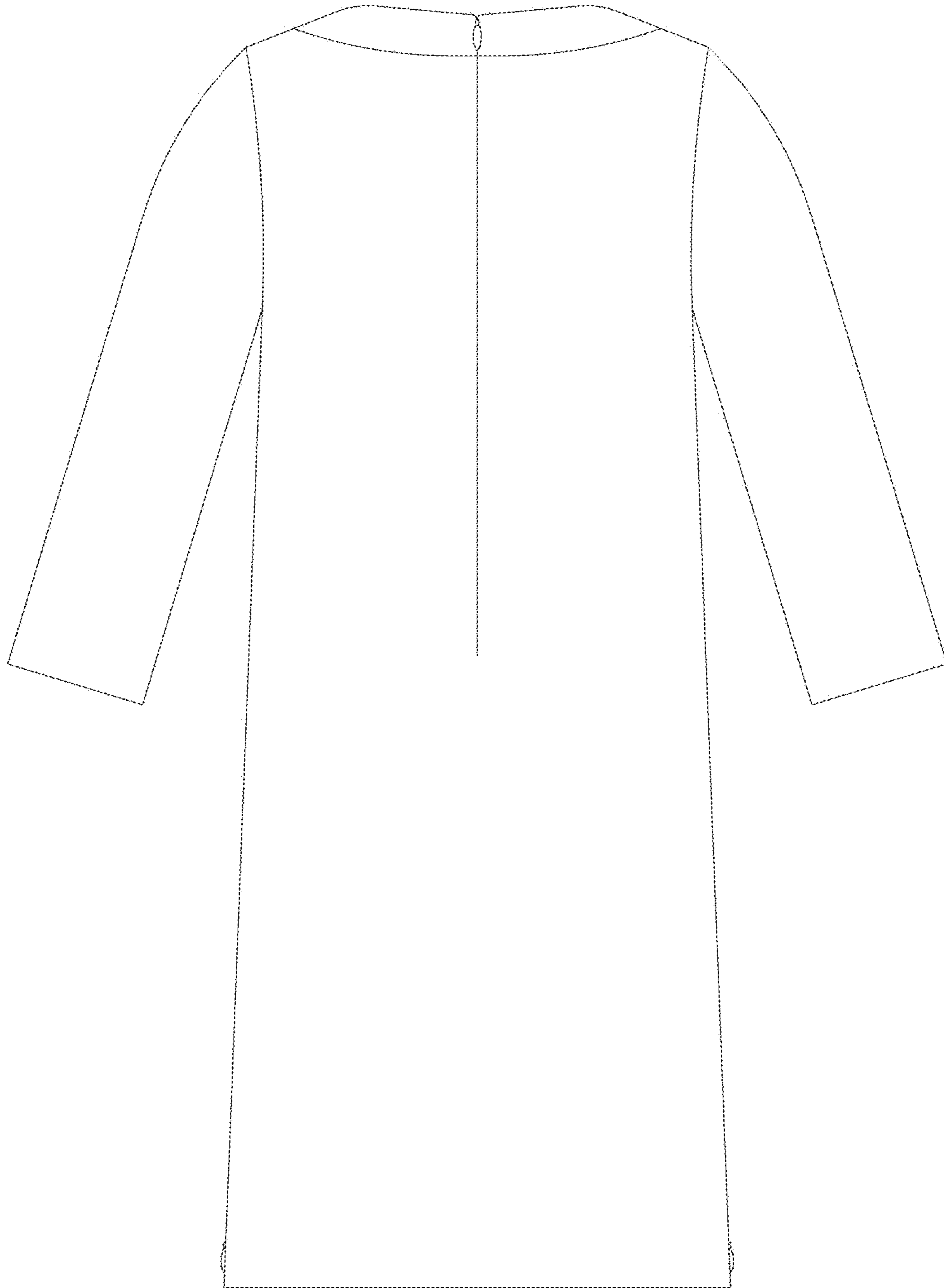


FIG. 3

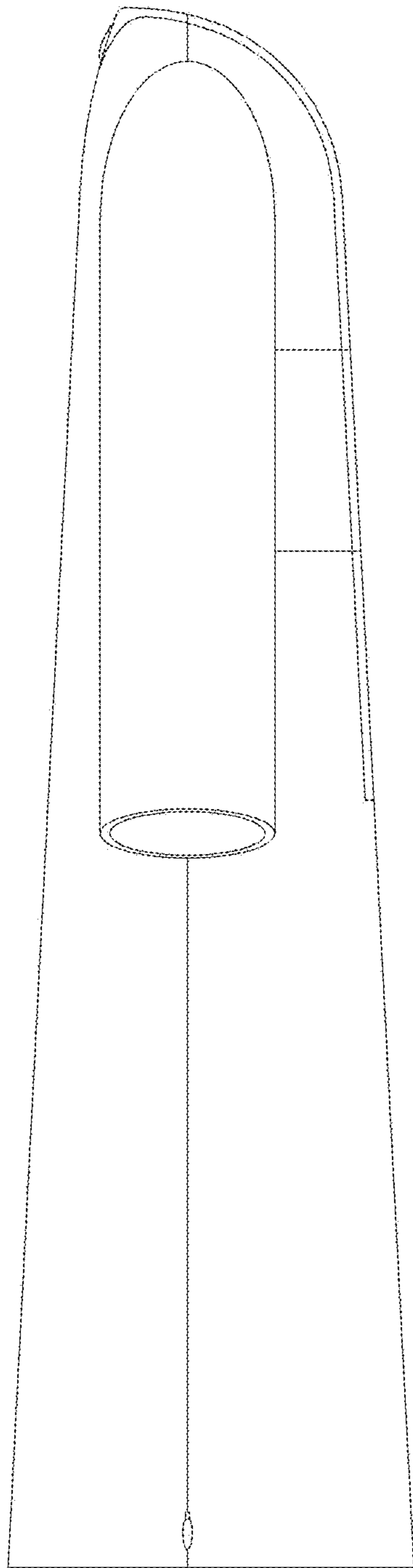


FIG. 4

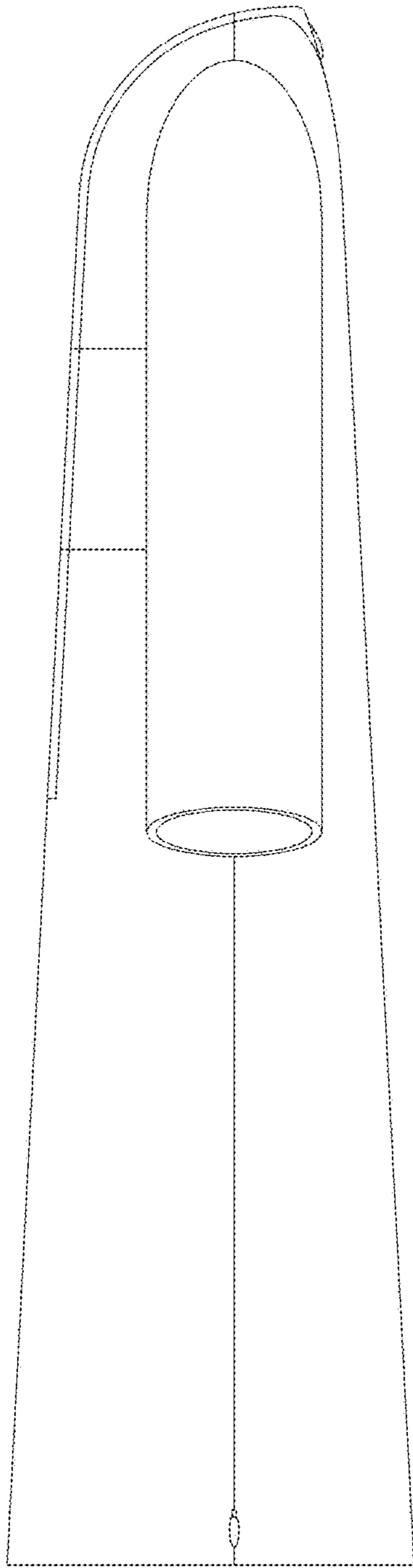


FIG. 5

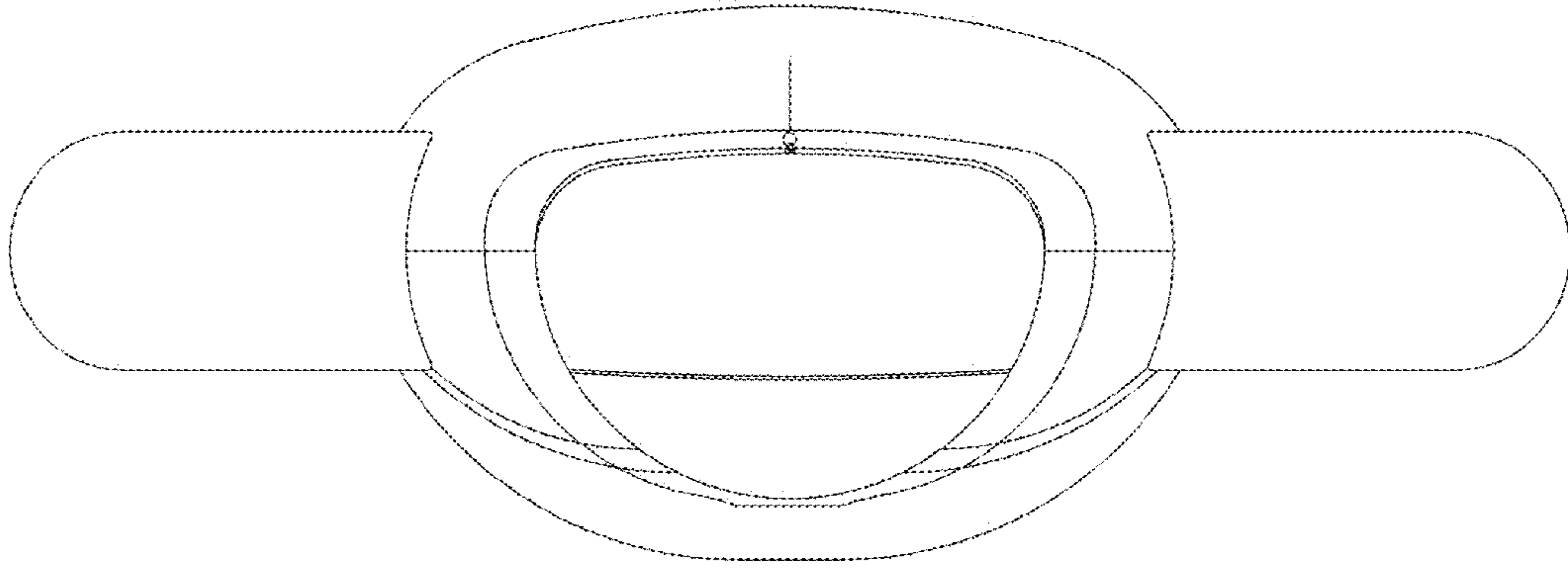


FIG. 6

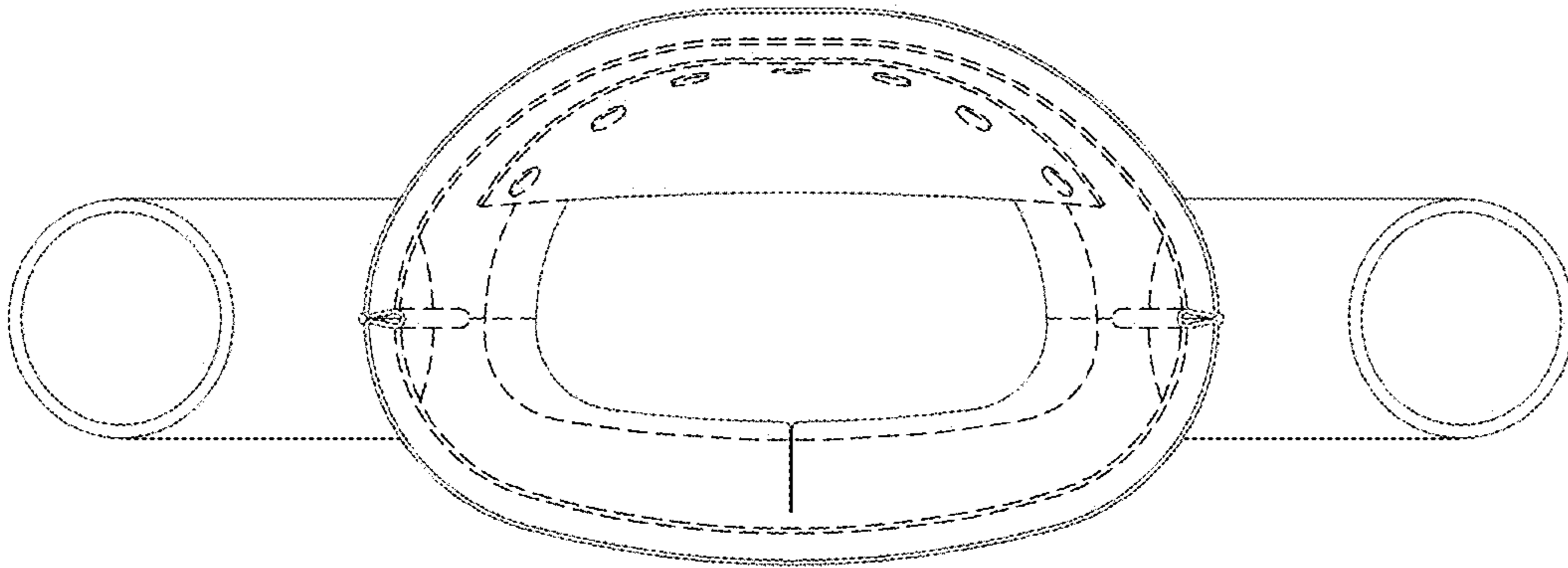


FIG. 7