



US00D927822S

(12) **United States Design Patent**
Pouches

(10) **Patent No.:** **US D927,822 S**
(45) **Date of Patent:** **** Aug. 17, 2021**

(54) **SWIMWEAR OR UNDERWEAR WITH DUAL-WAIST LOOPS**

DESCRIPTION

(71) Applicant: **RUFKIN, LLC**, San Diego, CA (US)

(72) Inventor: **Hubert Pierre Pouches**, San Diego, CA (US)

(73) Assignee: **Rufskin, LLC**, San Diego, CA (US)

(**) Term: **15 Years**

(21) Appl. No.: **29/699,772**

(22) Filed: **Jul. 29, 2019**

(51) **LOC (13) Cl.** **02-01**

(52) **U.S. Cl.**
USPC **D2/712**

(58) **Field of Classification Search**
USPC D2/712–713, 731–732, 736–737
(Continued)

(56) **References Cited**

U.S. PATENT DOCUMENTS

D268,964 S * 5/1983 Riedell D2/711
D548,927 S * 8/2007 Perryman D2/712
(Continued)

OTHER PUBLICATIONS

Rufskin® Tariq Black Stretch Double-Waisted Underwear Brief, posted NA [online], (retrieved Dec. 8, 2020). Retrieved from the internet, <https://www.rufskin.com/collections/underwear/products/tariq-black> (Year: NA).*

Primary Examiner — Kevin K Rudzinski

Assistant Examiner — J. Thorn, Sr.

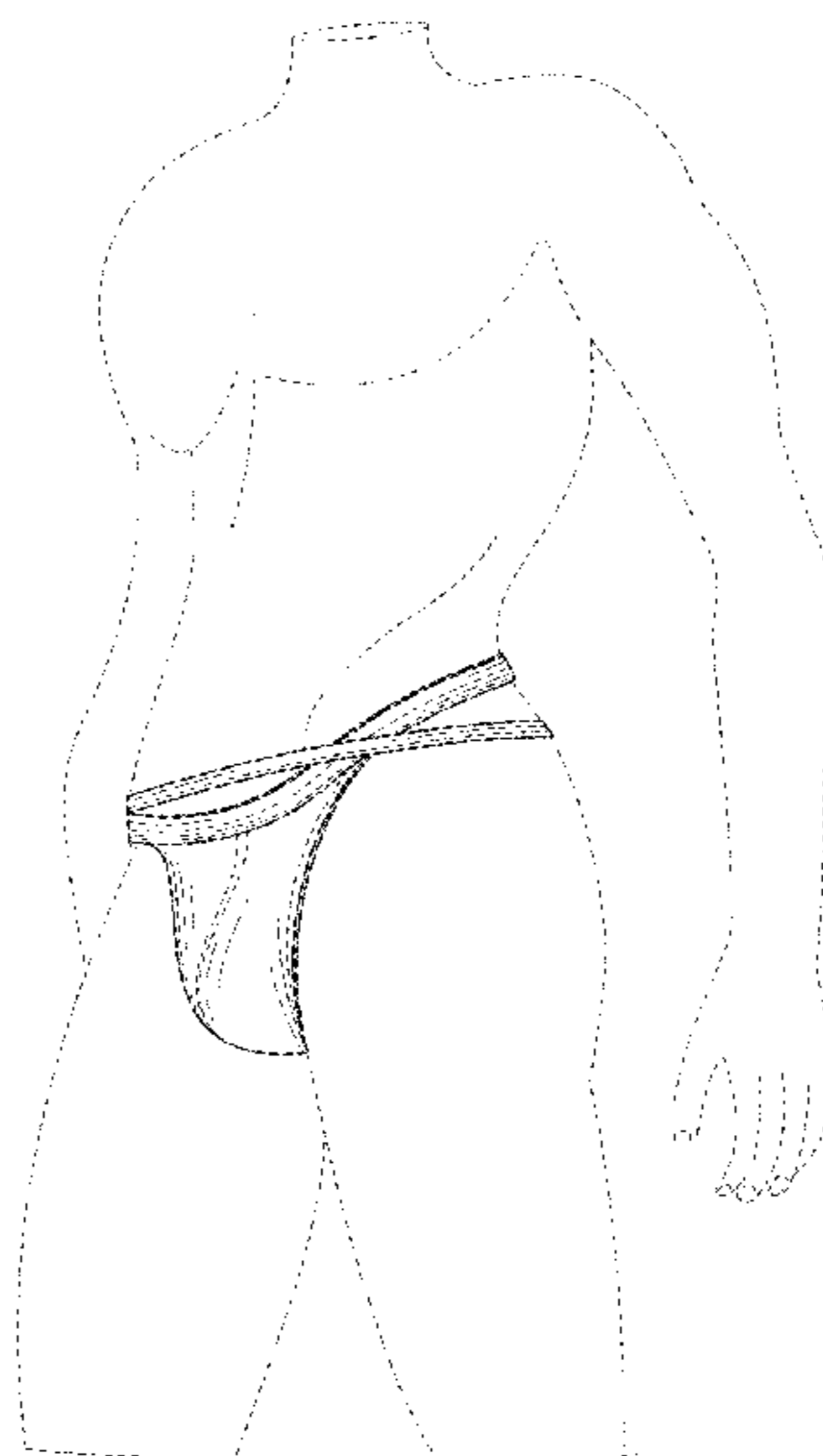
(74) *Attorney, Agent, or Firm* — F Duane Morris LLP

(57) **CLAIM**

The ornamental design for a swimswear or underwear with dual-waist loops, as shown and described.

FIG. 1 is a top view of the swimwear or underwear with dual-waist loops in an open configuration;
FIG. 2 is an isometric view of the swimwear or underwear with dual-waist loops illustrated around the waist of a human male unclaimed as part of this design;
FIG. 3 is a front view of the swimwear or underwear with dual-waist loops illustrated around the waist of a human male;
FIG. 4 is a front isometric view of the swimwear or underwear with dual-waist loops as illustrated at FIGS. 2-3 without illustrating the human;
FIG. 5 is a back isometric view of the swimwear or underwear with dual-waist loops as illustrated at FIGS. 2-3 without illustrating the human;
FIG. 6 is a right side isometric view of the swimwear or underwear with dual-waist loops as illustrated at FIGS. 2-3 without illustrating the human;
FIG. 7 is a left isometric view of the swimwear or underwear with dual-waist loops as illustrated at FIGS. 2-3 without illustrating the human;
FIG. 8 is a top isometric view of the swimwear or underwear with dual-waist loops as illustrated at FIG. 1 in a worn configuration without illustrating the human wearing the product;
FIG. 9 is a bottom isometric view of the swimwear or underwear with dual-waist loops as illustrated at FIG. 1 in a worn configuration without illustrating the human wearing the product; and,
FIG. 10 is a second illustration of the swimwear or underwear with dual-waist loops as illustrated at FIG. 1 but worn with the two loops placed at different positions around the waist of a human than the illustration shown at FIG. 2. Illustrated as FIGS. 1-10, is a new swimwear or underwear for both males and females with dual-waist loops as illustrated.
The broken lines in the drawings depict stitching and form no part of the claimed design. The broken lines showing the humanoid figure are for purpose of illustrating environment and form no part of the claimed design.

1 Claim, 7 Drawing Sheets



(58) **Field of Classification Search**

CPC A41B 9/00; A41B 9/001; A41B 9/002;
A41B 9/004; A41B 9/005; A41B 9/007

See application file for complete search history.

(56) **References Cited**

U.S. PATENT DOCUMENTS

D575,929 S * 9/2008 Dacumos D2/712
7,716,753 B2 * 5/2010 Franko A41B 9/002
2/406
D650,151 S * 12/2011 Wright D2/712
D652,610 S * 1/2012 Brantley D2/712
D652,611 S * 1/2012 York D2/712
D768,356 S * 10/2016 Grant D2/712
D793,659 S * 8/2017 Wexler D2/712
D806,982 S * 1/2018 Grace D2/700
D858,940 S * 9/2019 Rodriguez D2/711
D895,929 S * 9/2020 McCombs D2/712
2008/0262404 A1 * 10/2008 McKenzie A61F 5/40
602/70
2020/0297039 A1 * 9/2020 Parker A23G 3/563

* cited by examiner

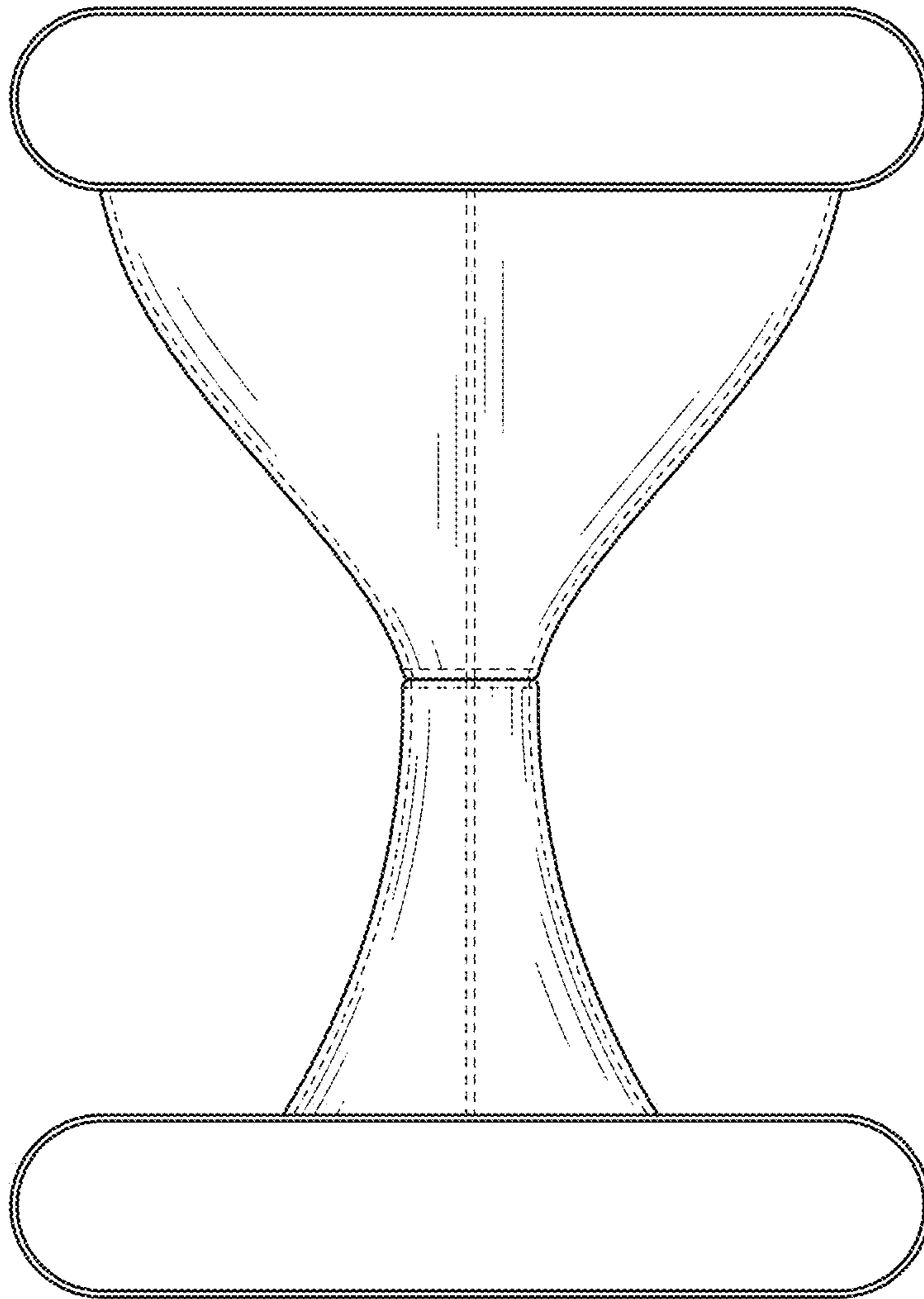


FIG. 1

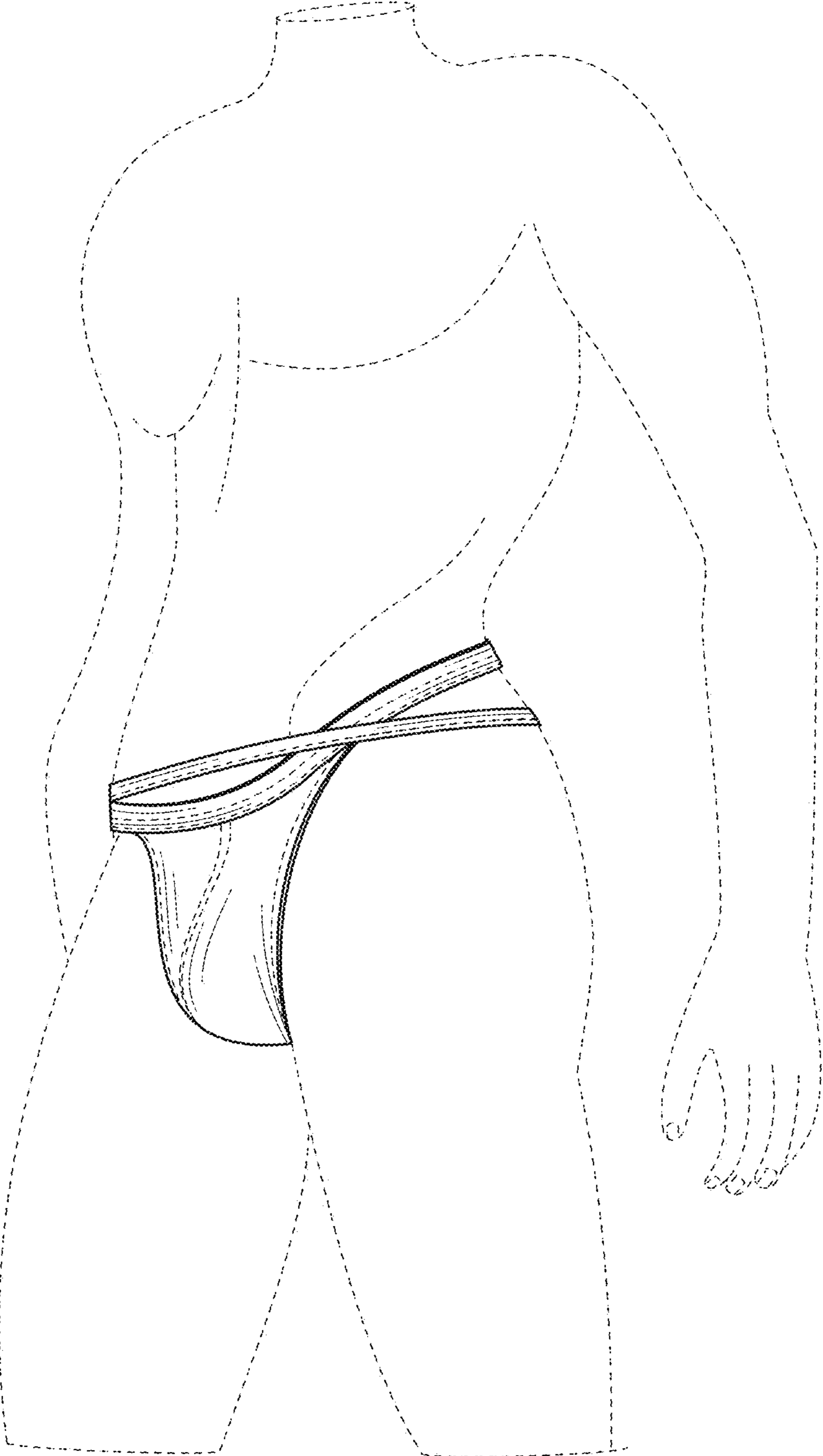


FIG. 2

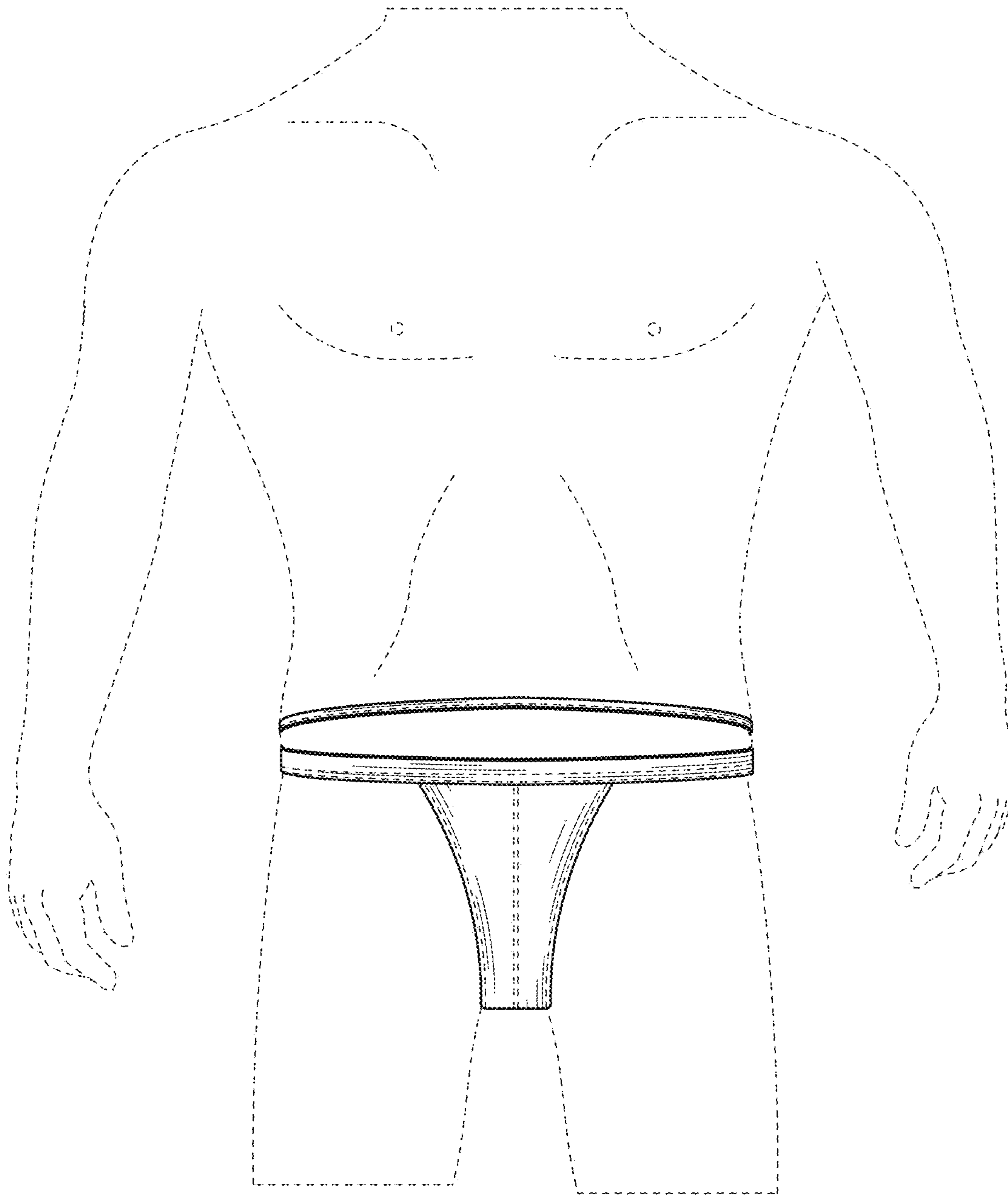


FIG. 3

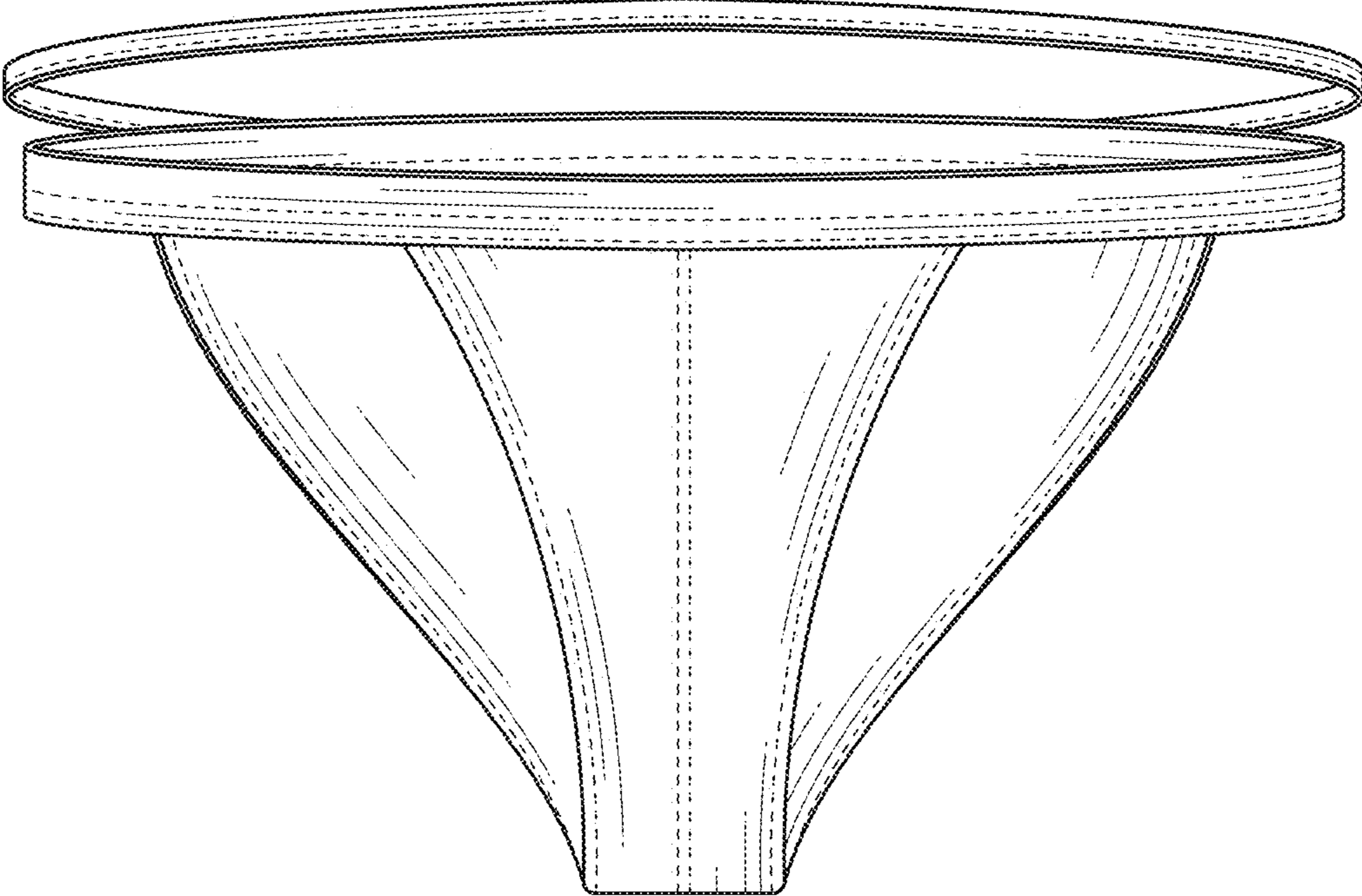


FIG. 4

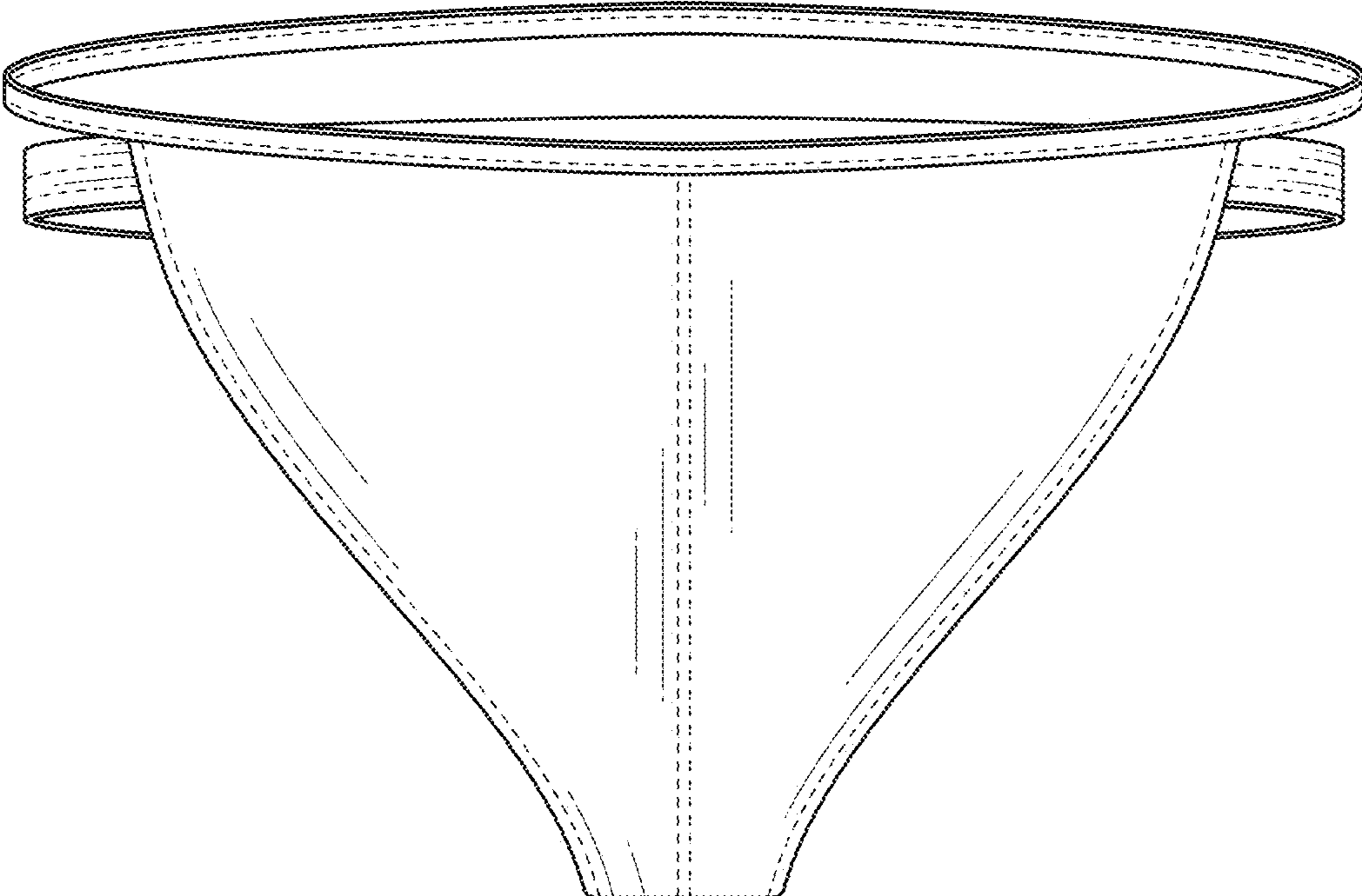


FIG. 5

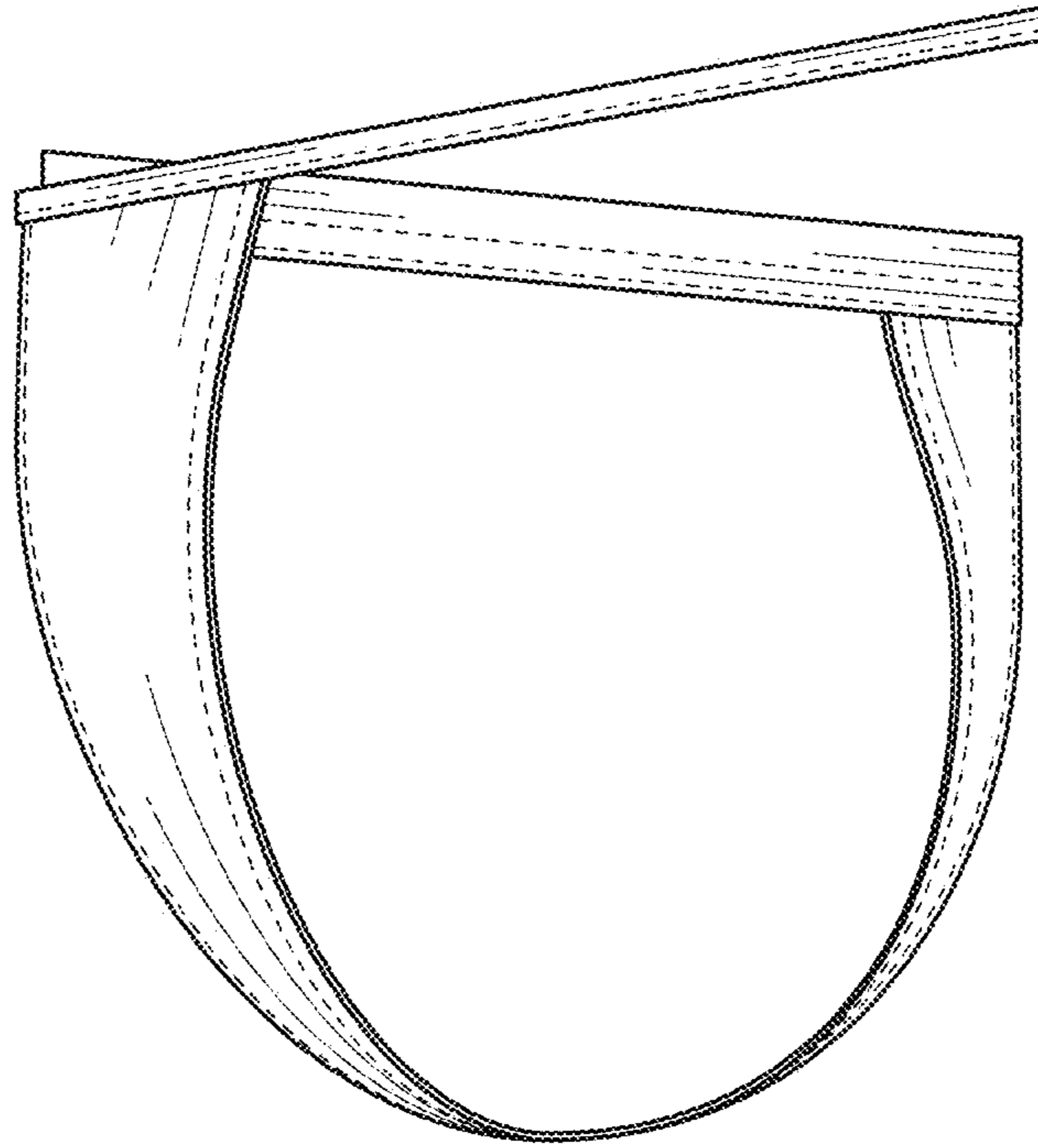


FIG. 6

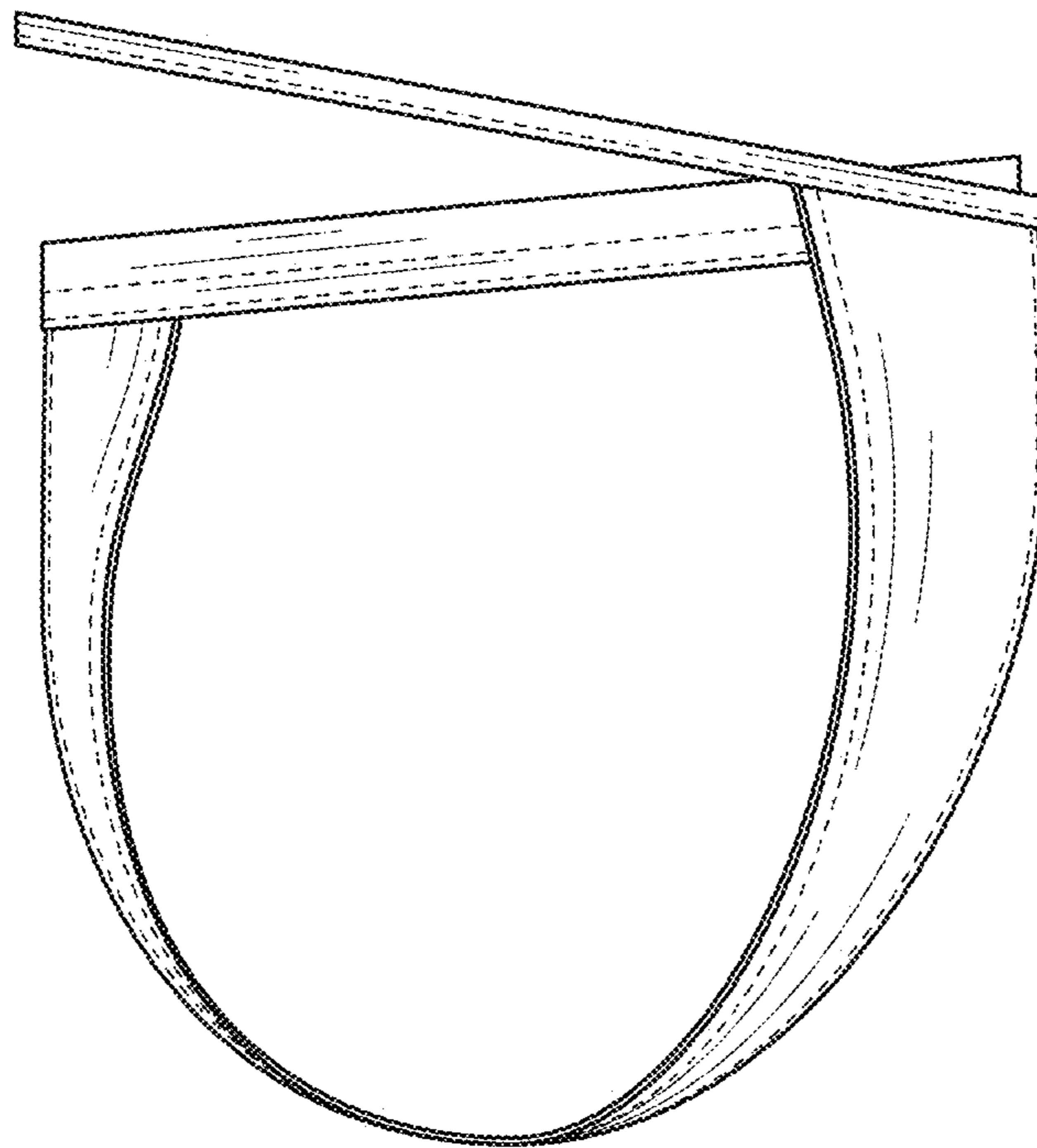


FIG. 7

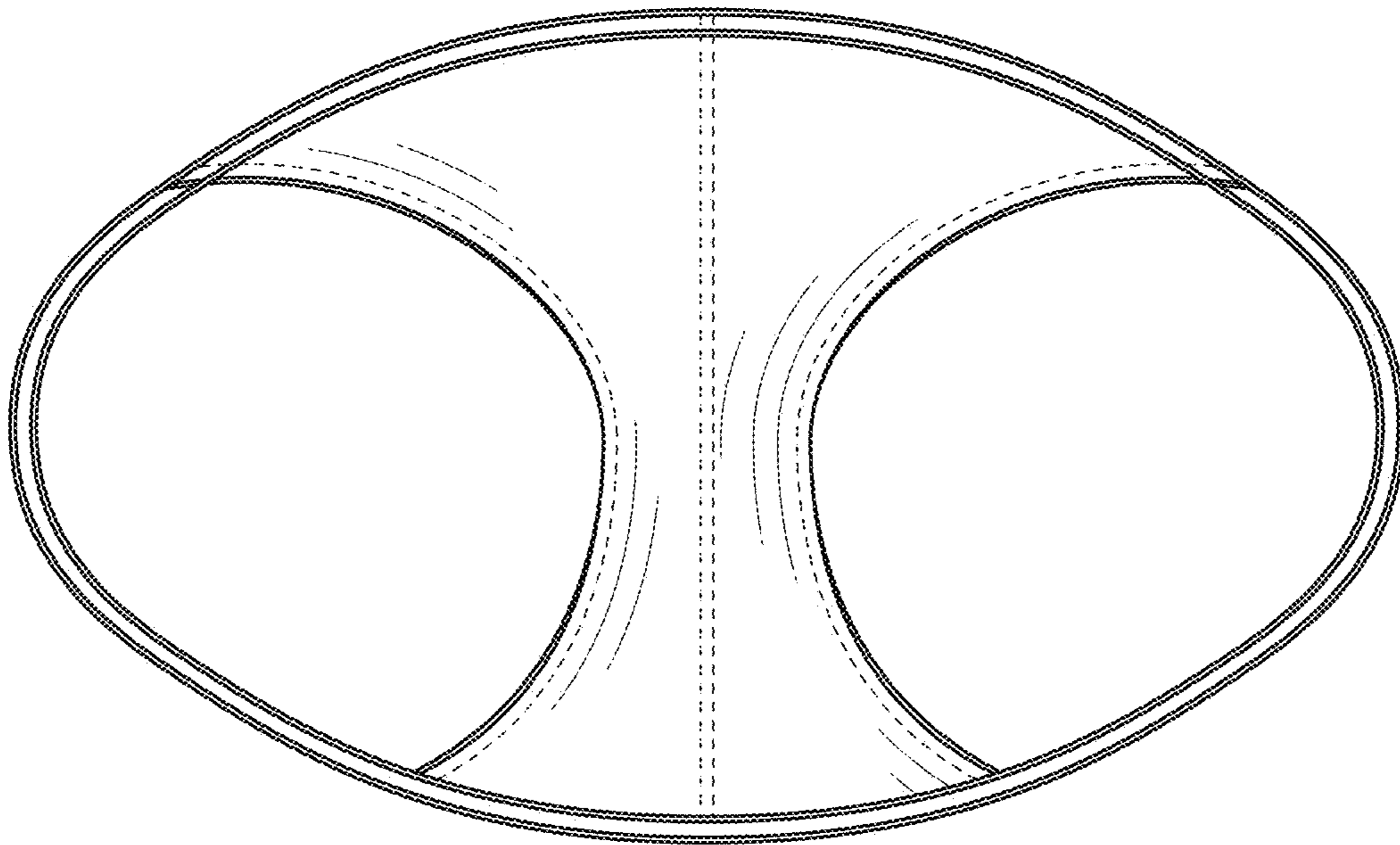


FIG. 8

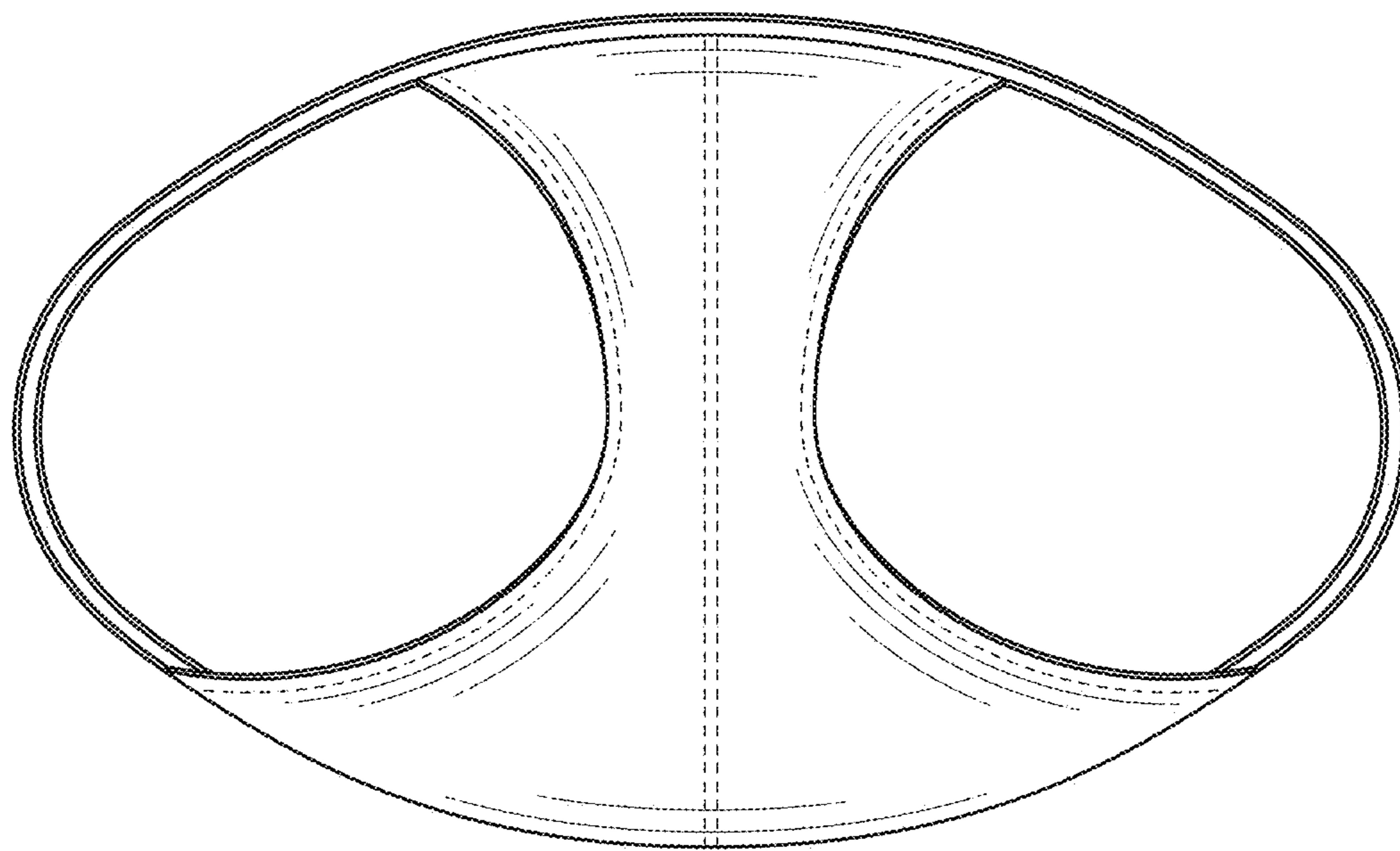


FIG. 9

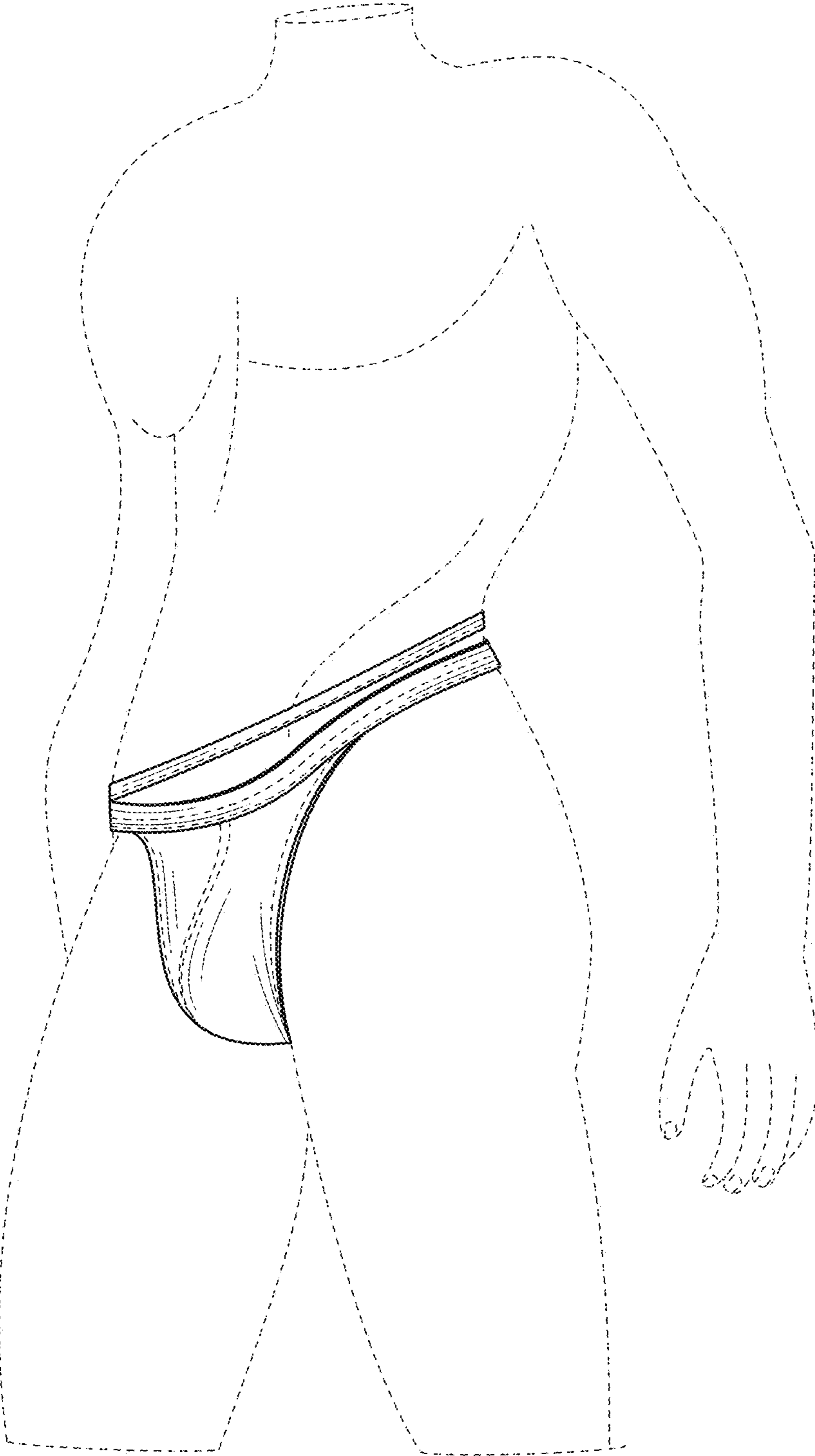


FIG. 10