



US00D927817S

(12) **United States Design Patent** (10) **Patent No.:** **US D927,817 S**
Cao (45) **Date of Patent:** **** Aug. 10, 2021**

(54) **TROLLEY CART**

(71) Applicant: **Guohua Cao**, Guangdong (CN)

(72) Inventor: **Guohua Cao**, Guangdong (CN)

(**) Term: **15 Years**

(21) Appl. No.: **29/709,744**

(22) Filed: **Oct. 17, 2019**

(51) **LOC (13) Cl.** **12-02**

(52) **U.S. Cl.**
USPC **D34/21**

(58) **Field of Classification Search**
USPC D34/12-27; D3/304-315; D6/653.1,
D6/400, 684, 445
CPC A61G 12/001; B62B 3/00; B62B 3/002;
B62B 3/005

See application file for complete search history.

(56) **References Cited**

U.S. PATENT DOCUMENTS

D832,549 S *	10/2018	Cao	D34/21
D846,824 S *	4/2019	Cao	D34/21
D846,825 S *	4/2019	Cao	D34/21
D850,753 S *	6/2019	Cao	D34/21
D852,448 S *	6/2019	Hu	D34/21
D858,928 S *	9/2019	Cao	D34/21
D899,826 S *	10/2020	Cheng	D6/675.1
D901,123 S *	11/2020	Liu	D34/21
D901,816 S *	11/2020	Liu	D34/21
D902,521 S *	11/2020	Tsai	D34/21
2020/0231197 A1 *	7/2020	Liu	A47B 47/0083

OTHER PUBLICATIONS

Container Store Cart, announced 2019 [online], [site visited Feb. 22, 2021]. Available from internet, URL: <https://www.containerstore.com/s/craft-hobby/white-3-tier-rolling-cart-lid/1d?productId=11010925>

&gclid=EAlalQobChMI277wfd97glVWwilCR0DKQVQEAQ-YAiABEgKquPD_BwE (Year: 2019).*

(Continued)

Primary Examiner — George A Bugg
Assistant Examiner — Tamara L Hahn

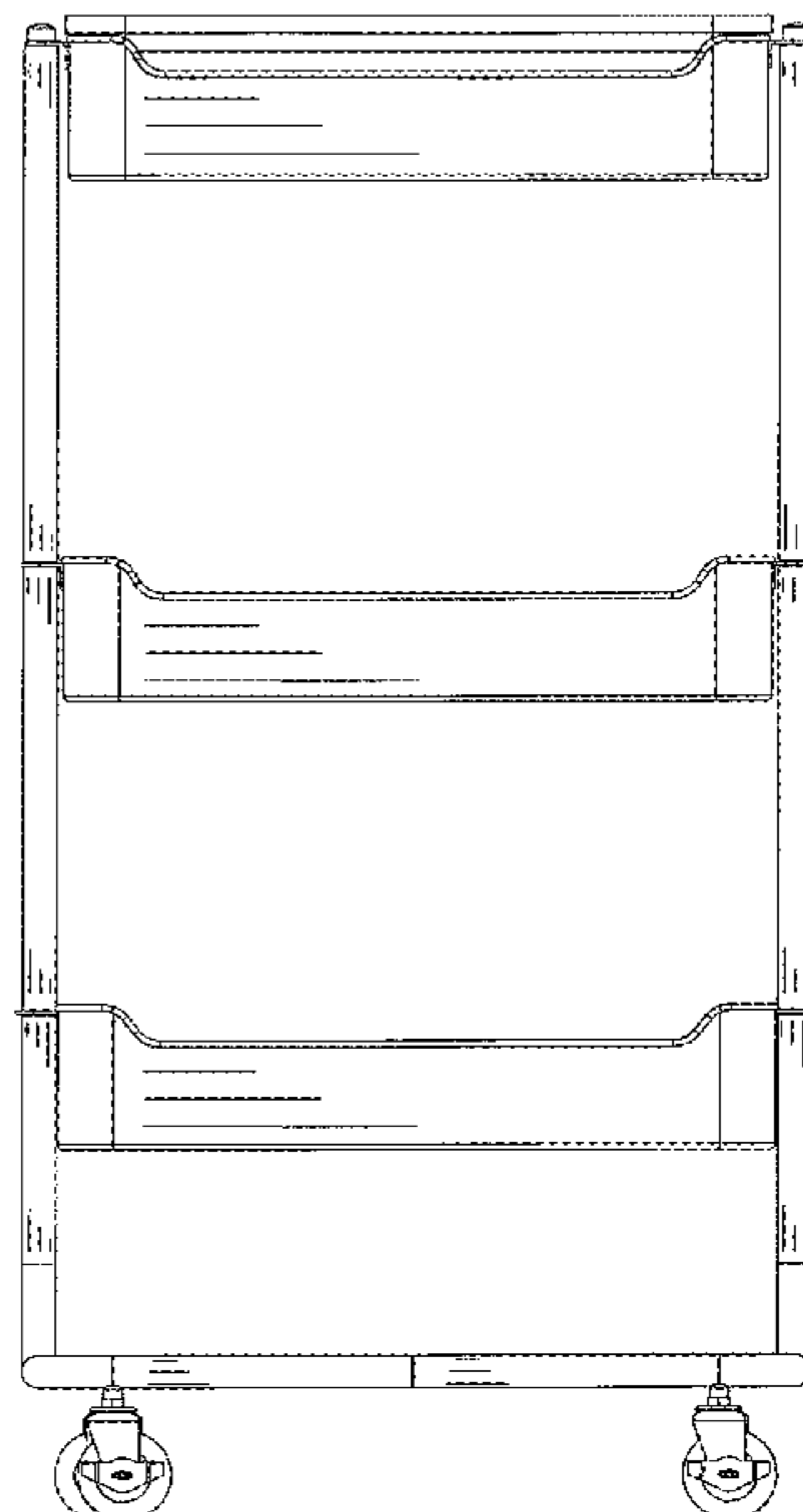
(57) **CLAIM**

The ornamental design for a trolley cart, as shown and described.

DESCRIPTION

FIG. 1 is a front elevational view of a trolley cart showing the first embodiment of my new design; FIG. 2 is a rear elevational view thereof; FIG. 3 is a left side view thereof; FIG. 4 is a right side view thereof; FIG. 5 is a top plan view thereof; FIG. 6 is a bottom plan view thereof; FIG. 7 is a perspective view thereof; FIG. 8 is another perspective view thereof; FIG. 9 is a front elevational view of a trolley cart showing the second embodiment of my new design; FIG. 10 is a rear elevational view thereof; FIG. 11 is a left side view thereof; FIG. 12 is a right side view thereof; FIG. 13 is a top plan view thereof; FIG. 14 is a bottom plan view thereof; FIG. 15 is a perspective view thereof; FIG. 16 is another perspective view thereof; FIG. 17 is an enlarged view of portion 17 shown in FIG. 8; FIG. 18 is an enlarged view of portion 18 shown in FIG. 8; FIG. 19 is an enlarged view of portion 19 shown in FIG. 8; FIG. 20 is an enlarged view of portion 20 shown in FIG. 16; FIG. 21 is an enlarged view of portion 21 shown in FIG. 16; and, FIG. 22 is an enlarged view of portion 22 shown in FIG. 16.

1 Claim, 22 Drawing Sheets



(56)

References Cited

OTHER PUBLICATIONS

Seville Amazon, announced Jul. 2020 [online], [site visited Feb. 22, 2021]. Available from internet, URL: https://www.amazon.com/Seville-Classics-UltraDurable-Commerical-Grade-NSF-Certified/dp/B08CMQL9HG/ref=sr_1_19 (Year: 2020).*

Pipishell Cart, announced Mar. 2020 [online], [site visited Feb. 22, 2021]. Available from internet, URL: https://www.amazon.com/dp/B085Y1JB9G/ref=sspa_dk_detail_3 (Year: 2020).*

Ikea utility cart, announced 2017 [online], [site visited Feb. 22, 2021]. Available from internet, URL: <https://www.ikea.com/us/en/p/raskog-utility-cart-gray-green-90443135/> (Year: 2017).*

* cited by examiner

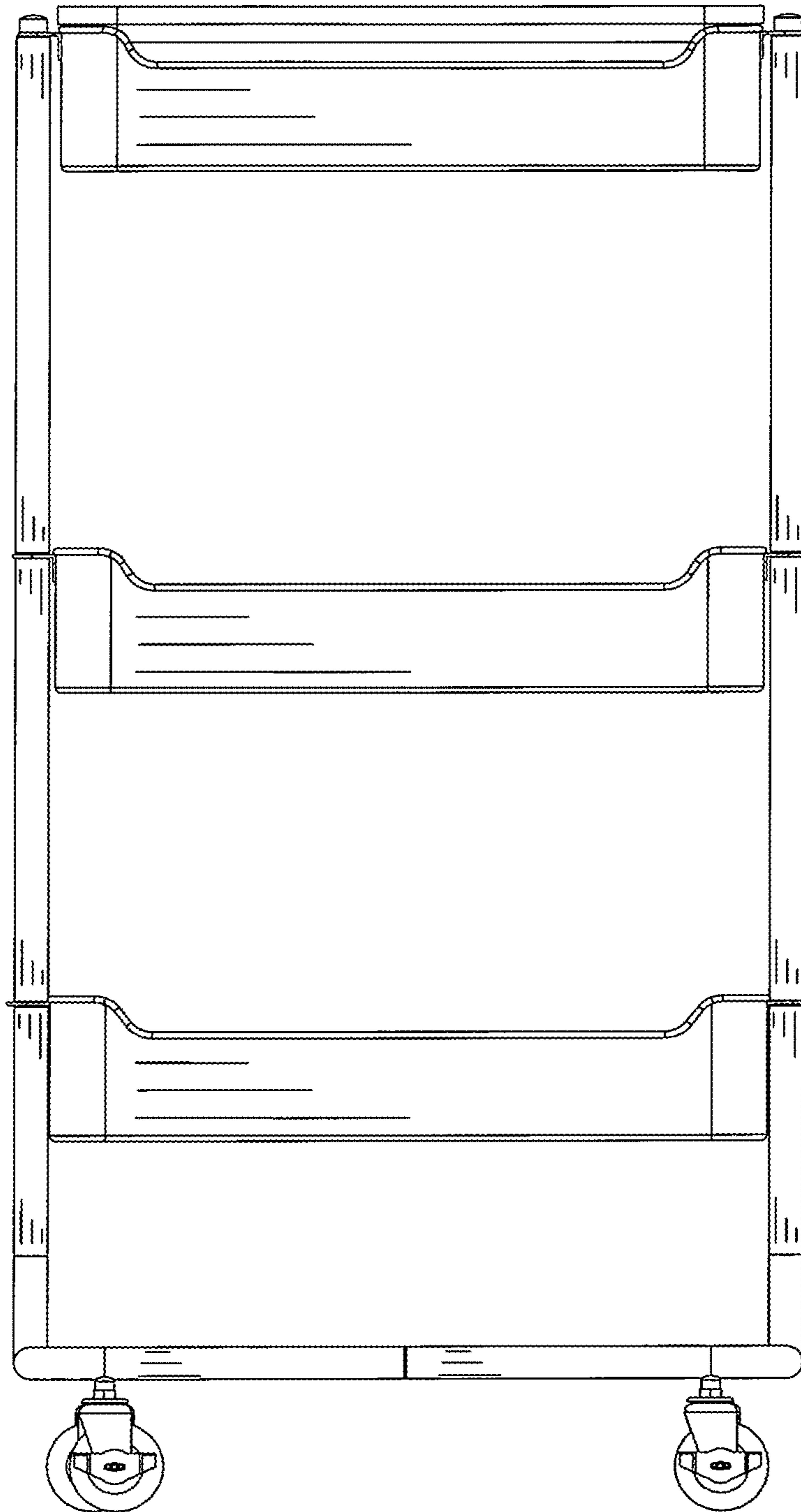


FIG. 1

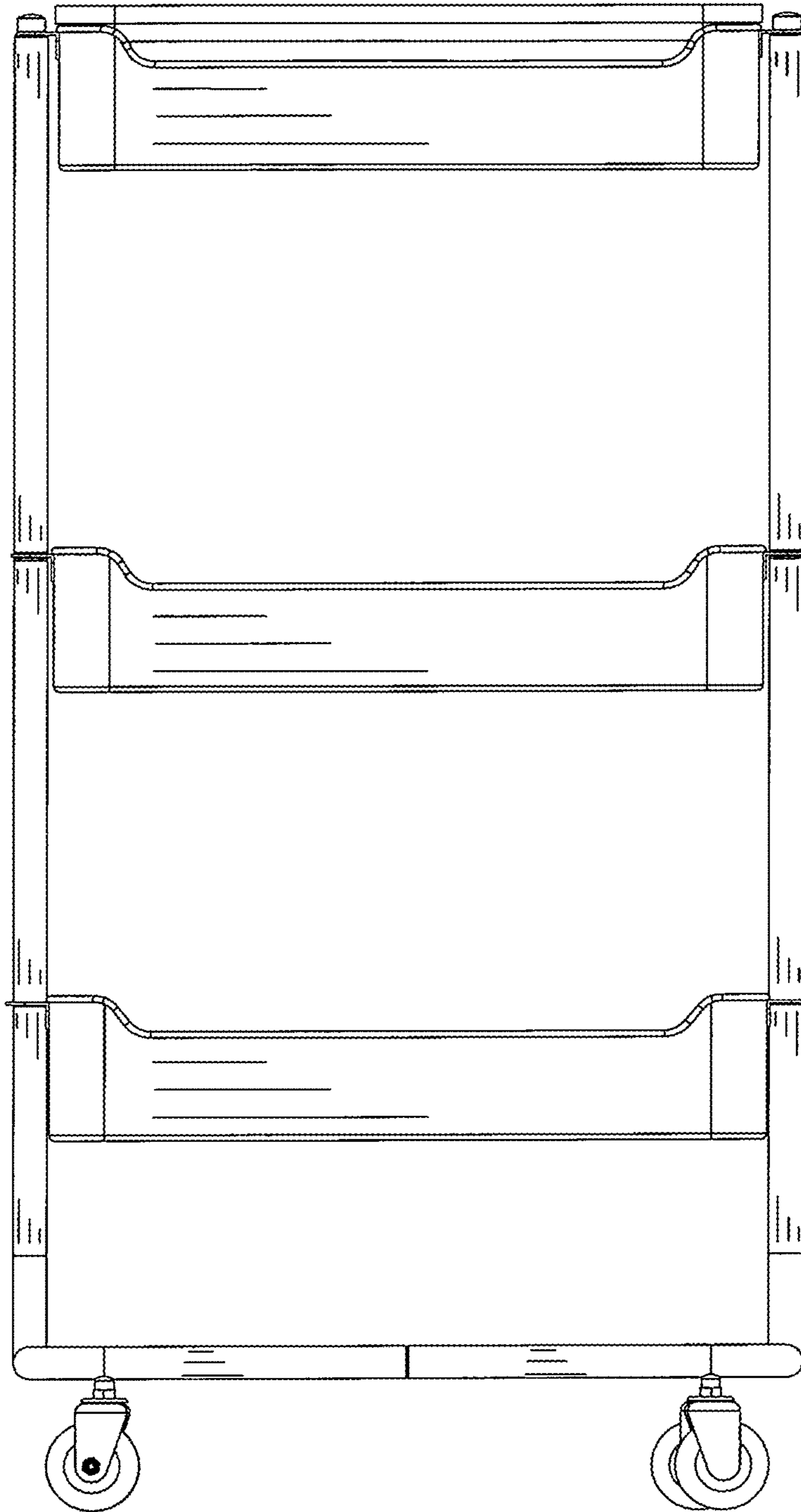


FIG. 2

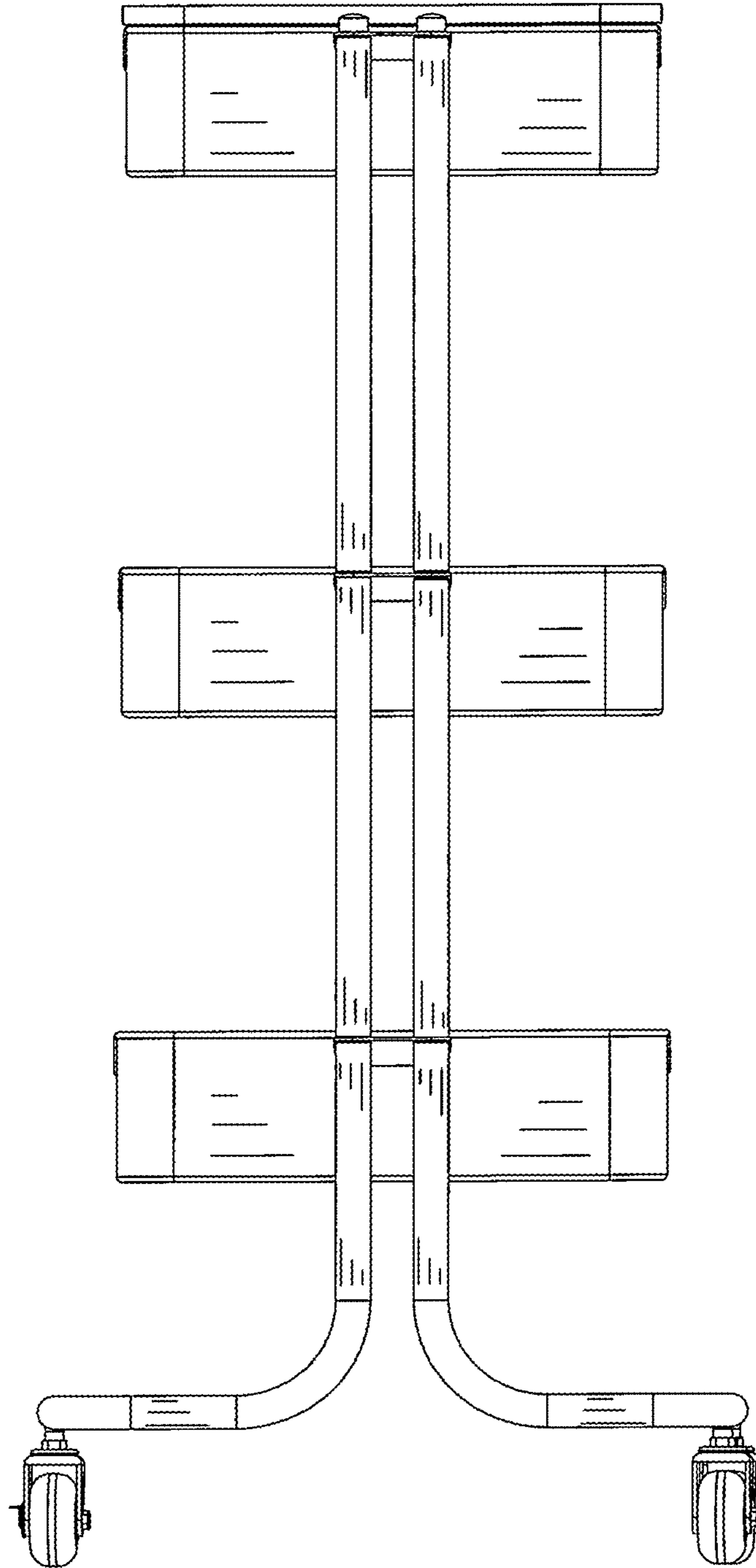


FIG. 3

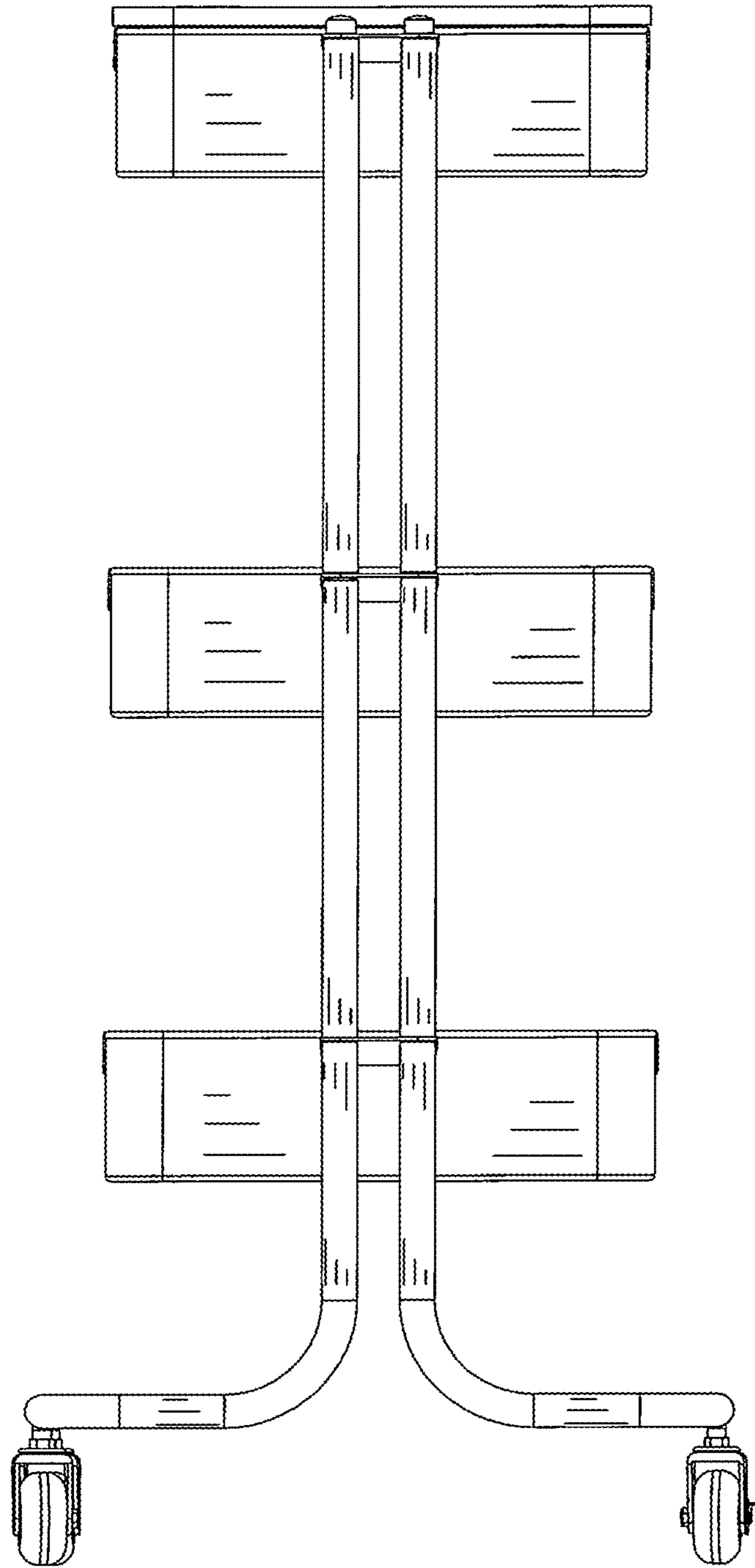


FIG. 4

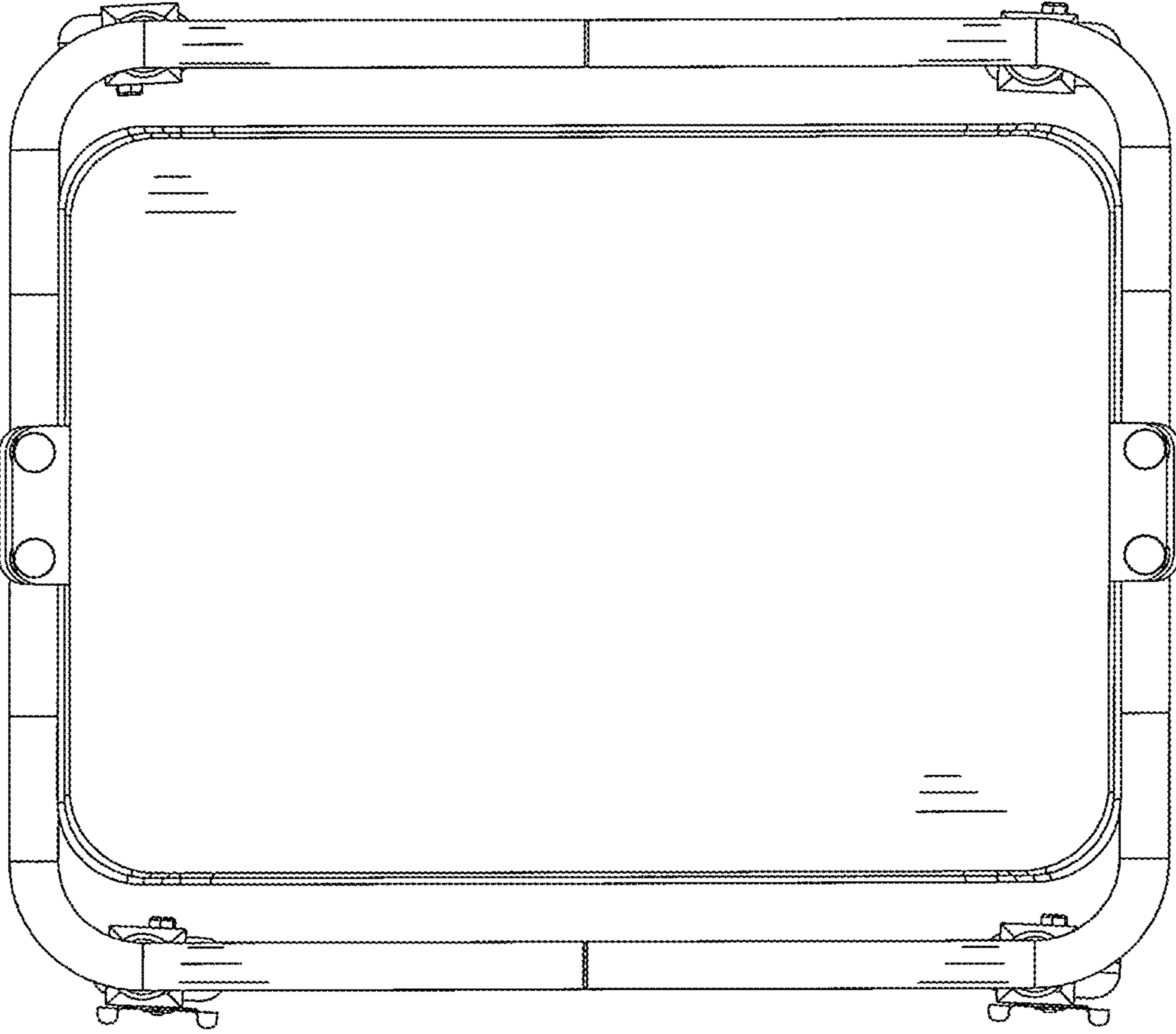


FIG. 5

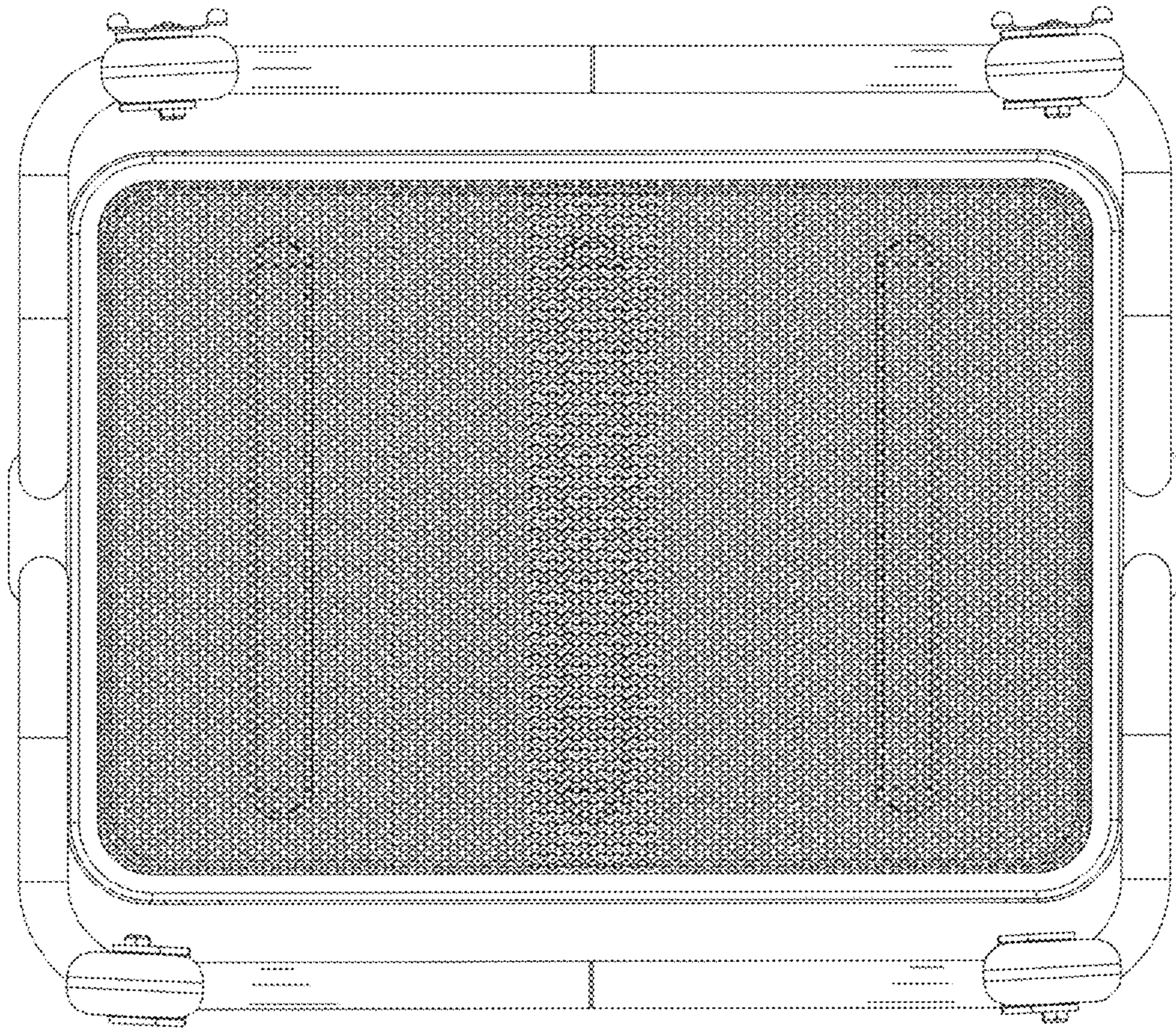


FIG. 6

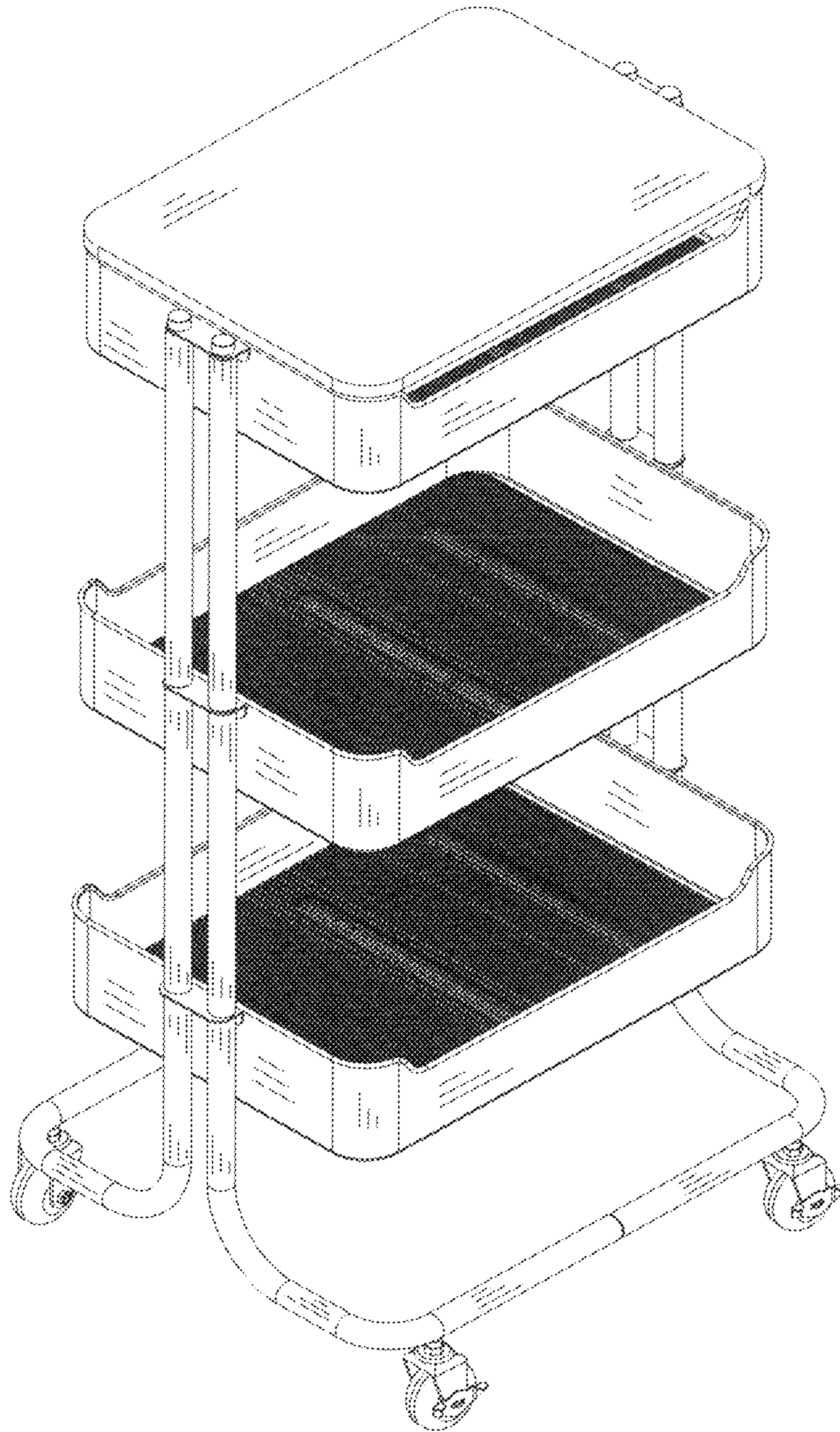


FIG. 7

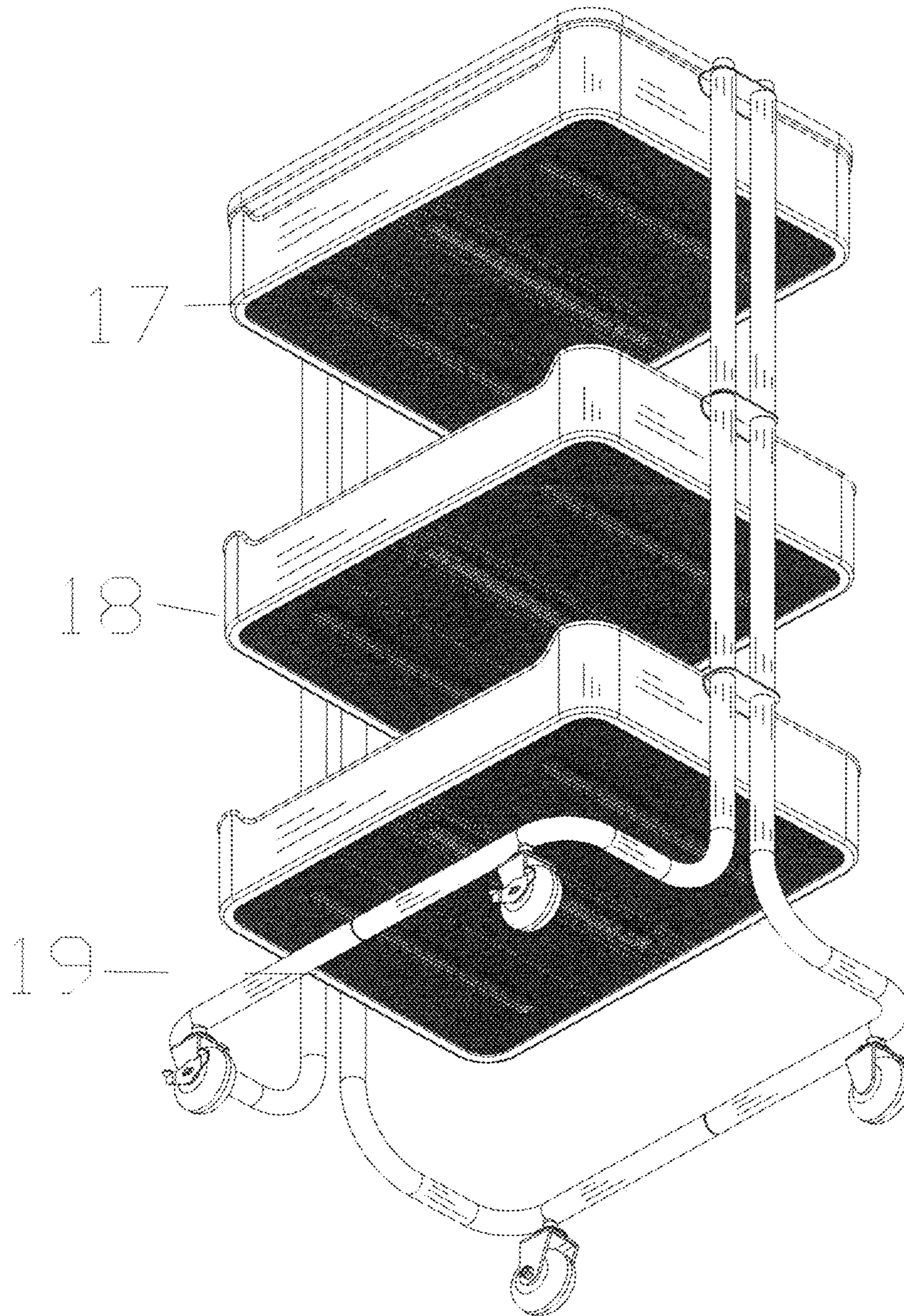


FIG. 8

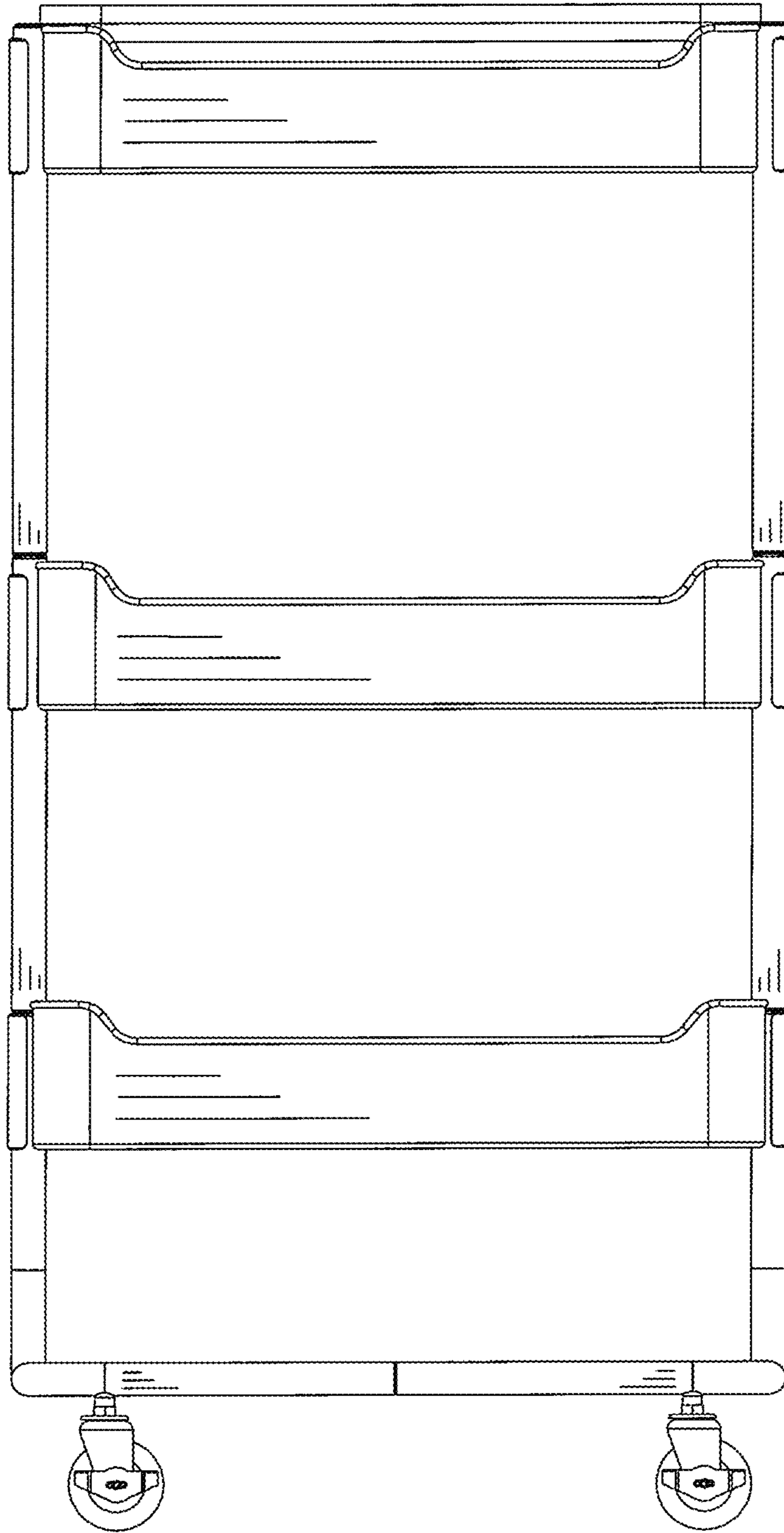


FIG. 9

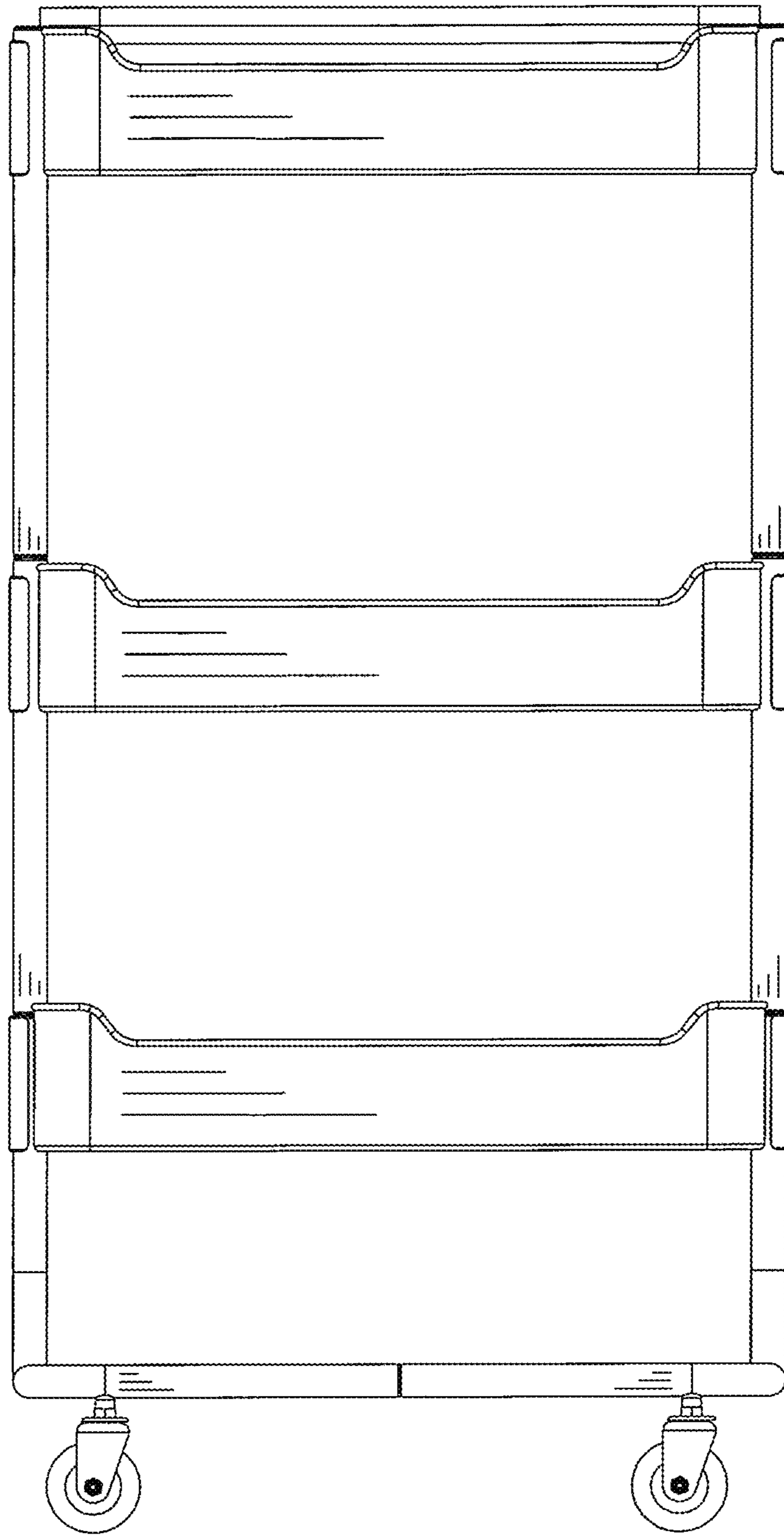


FIG. 10

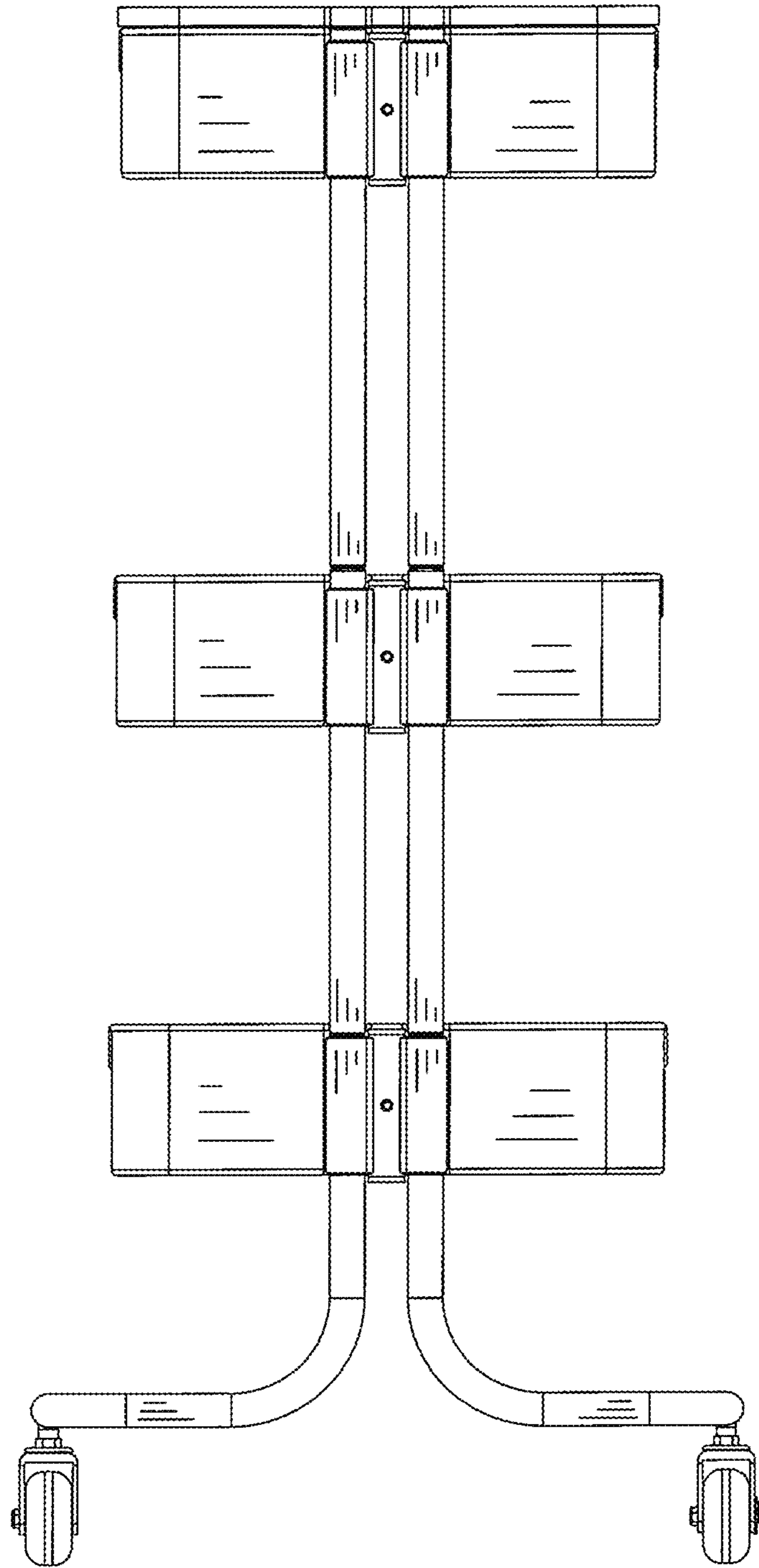


FIG. 11

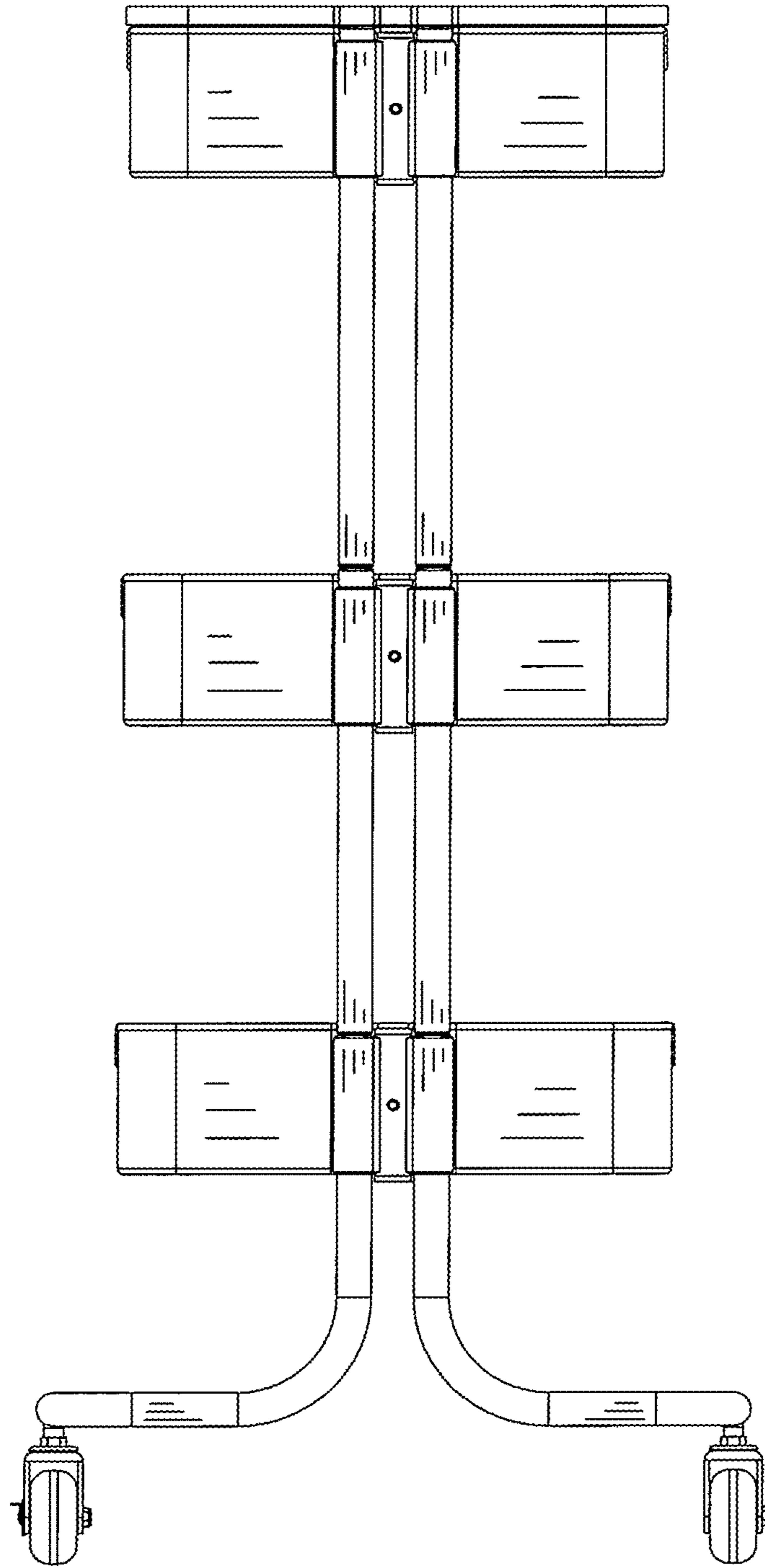


FIG. 12

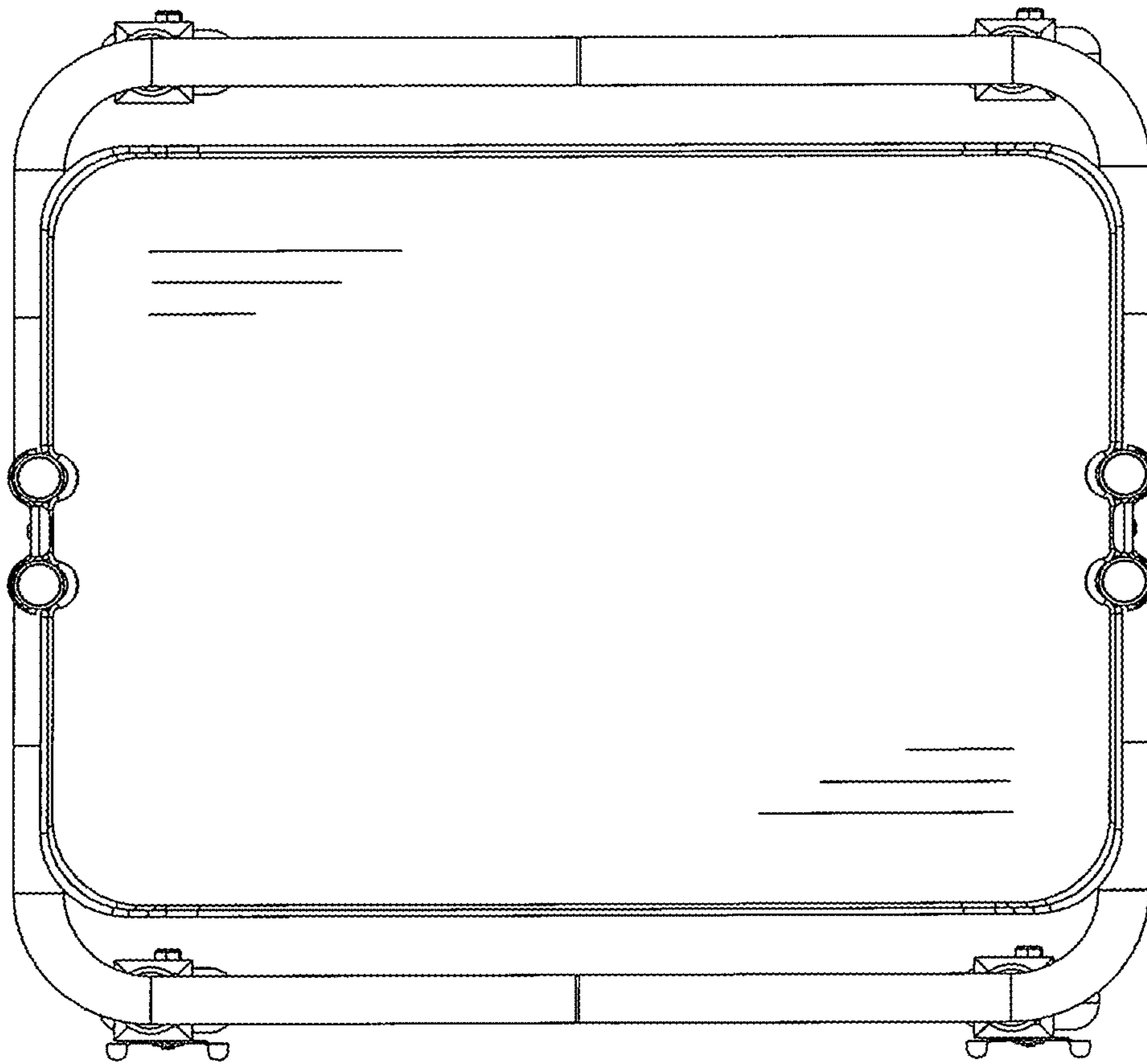


FIG. 13

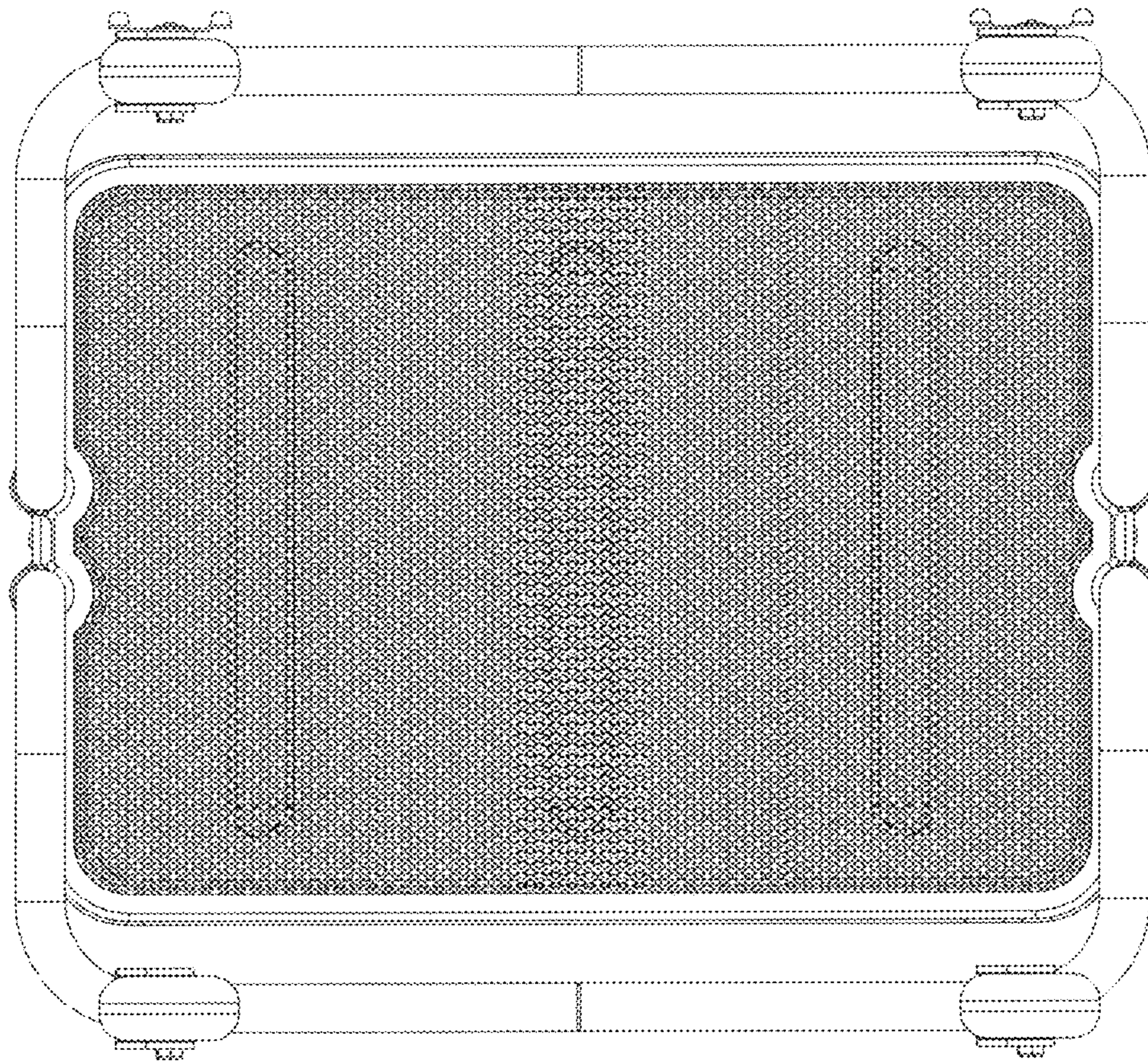


FIG. 14

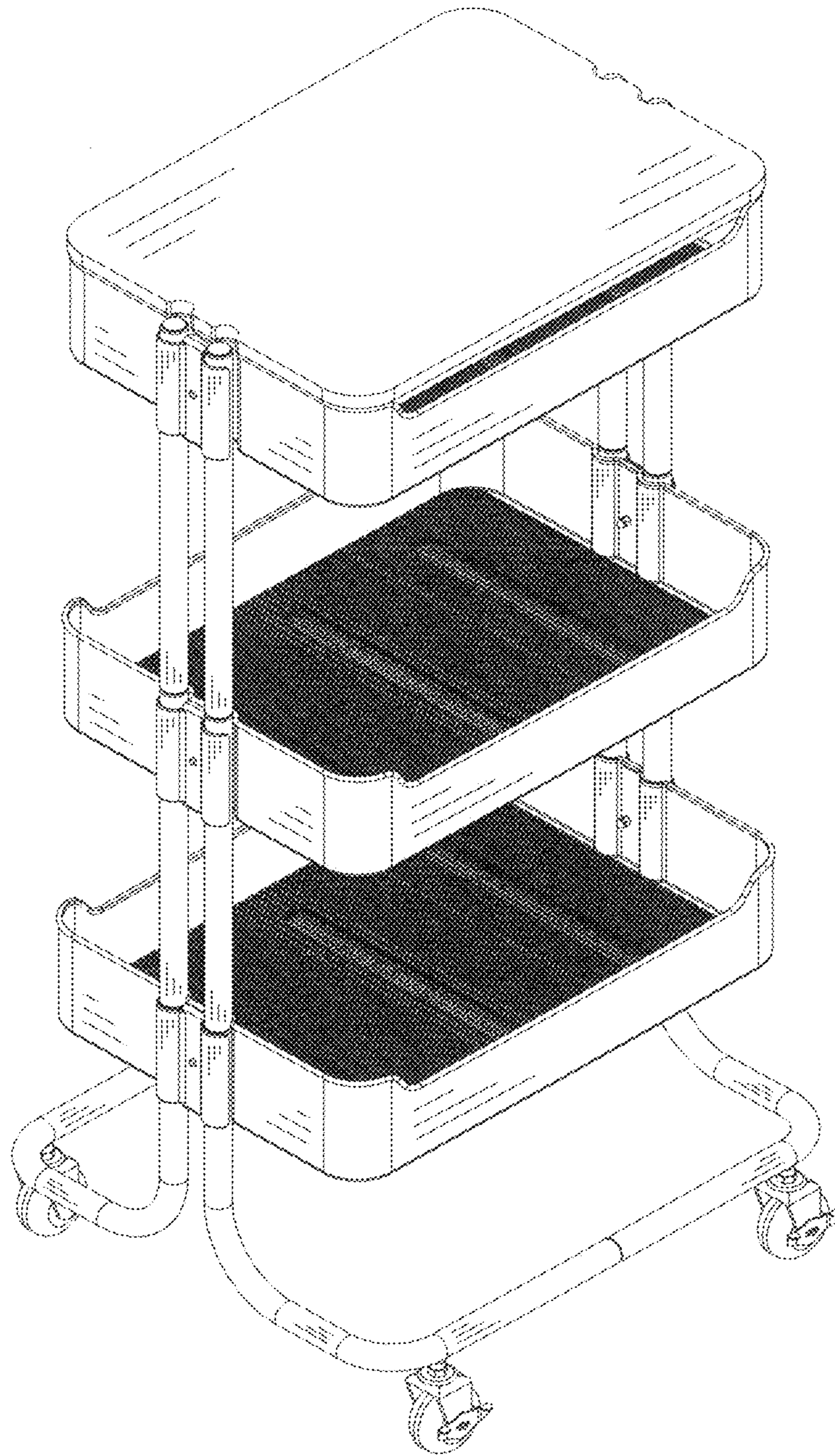


FIG. 15

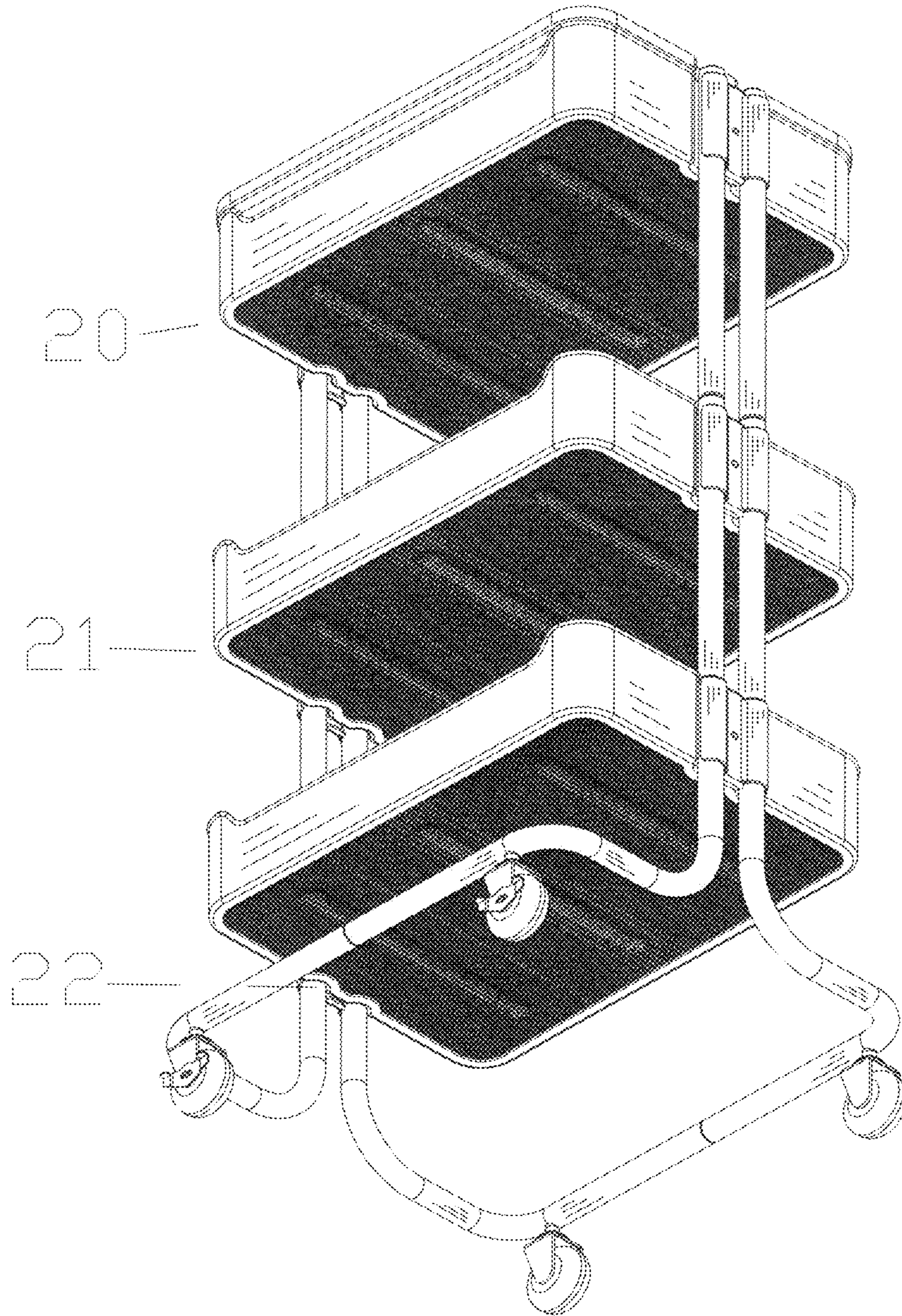


FIG. 16

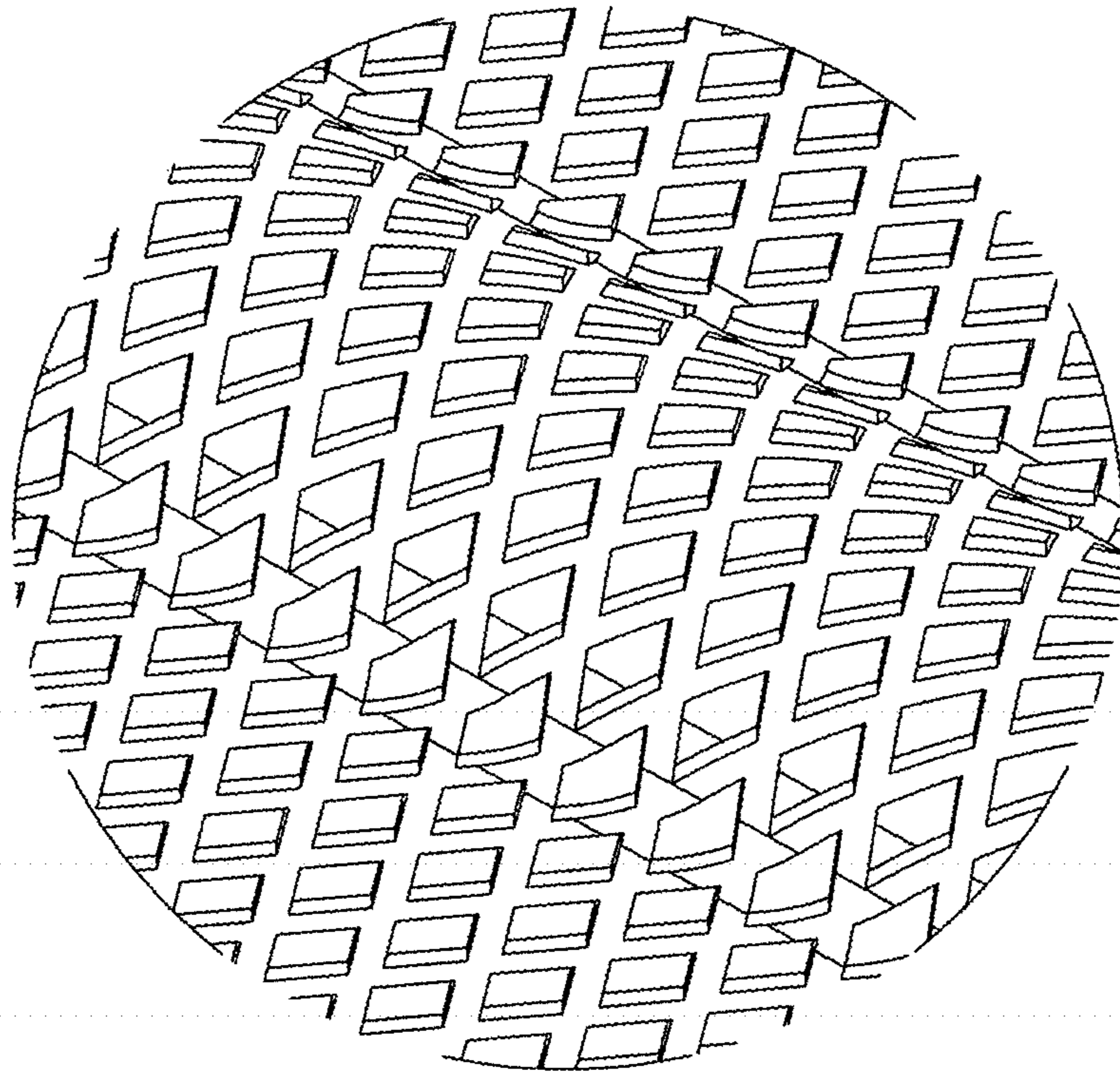


FIG. 17

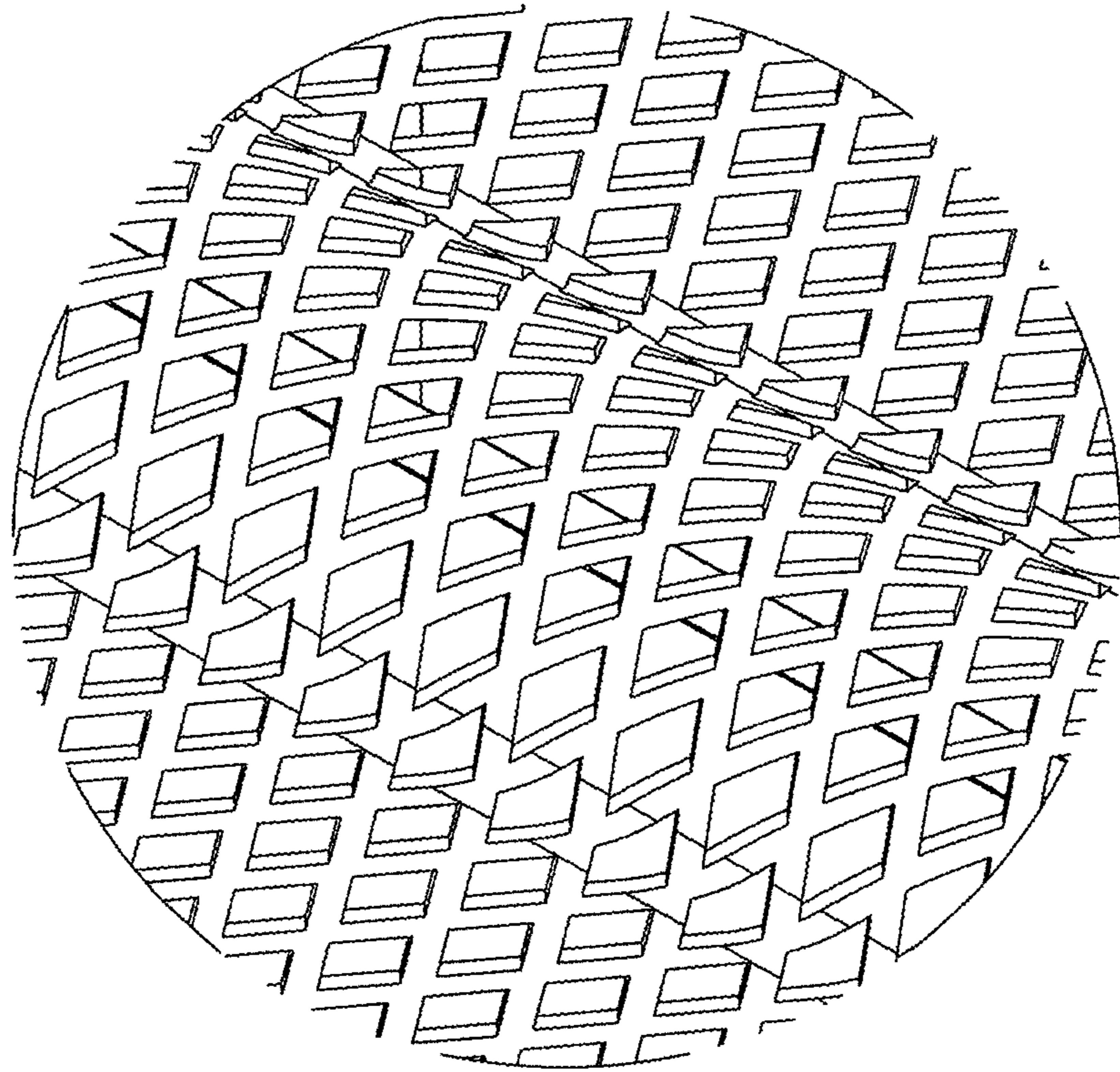


FIG. 18

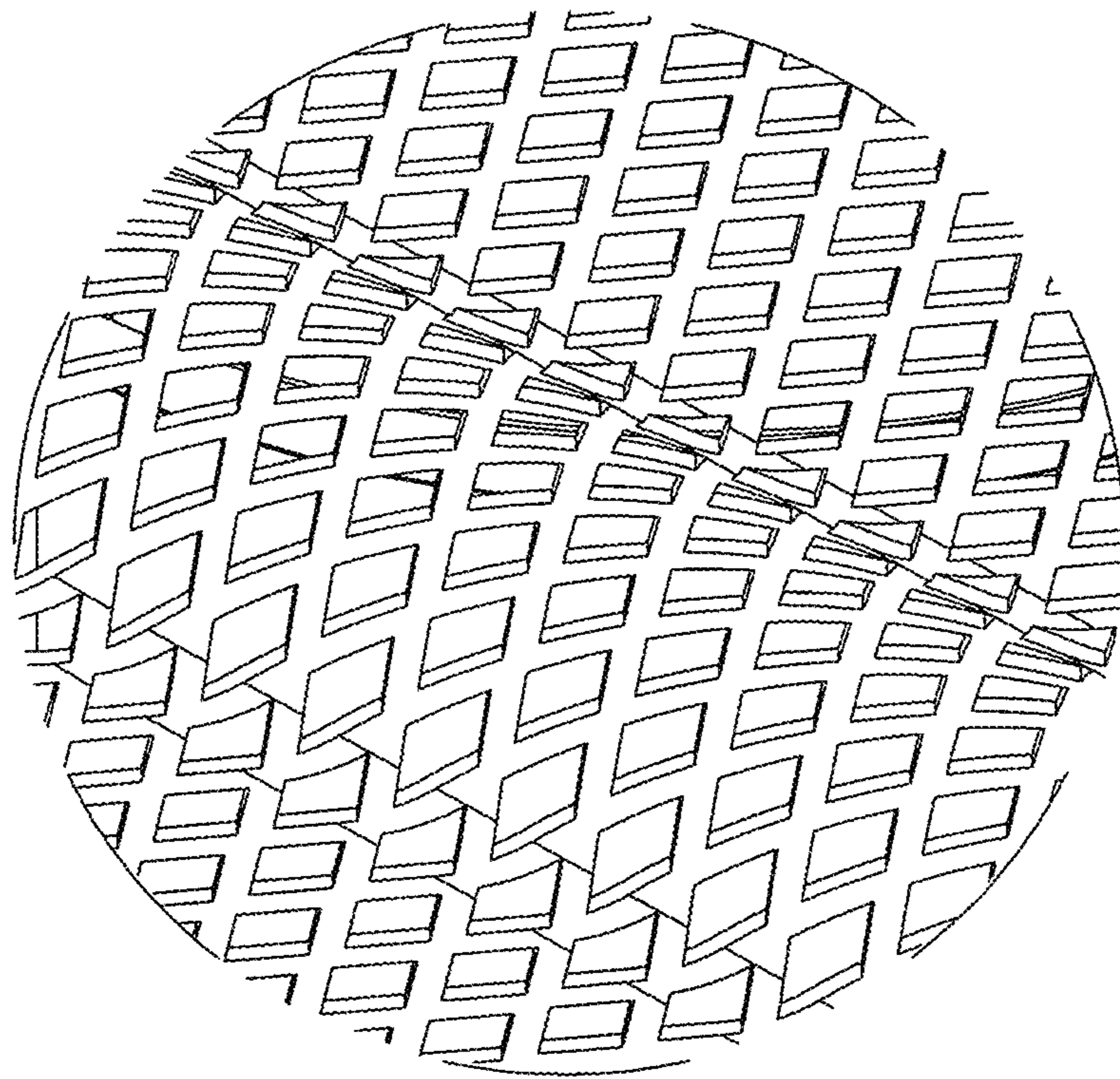


FIG. 19

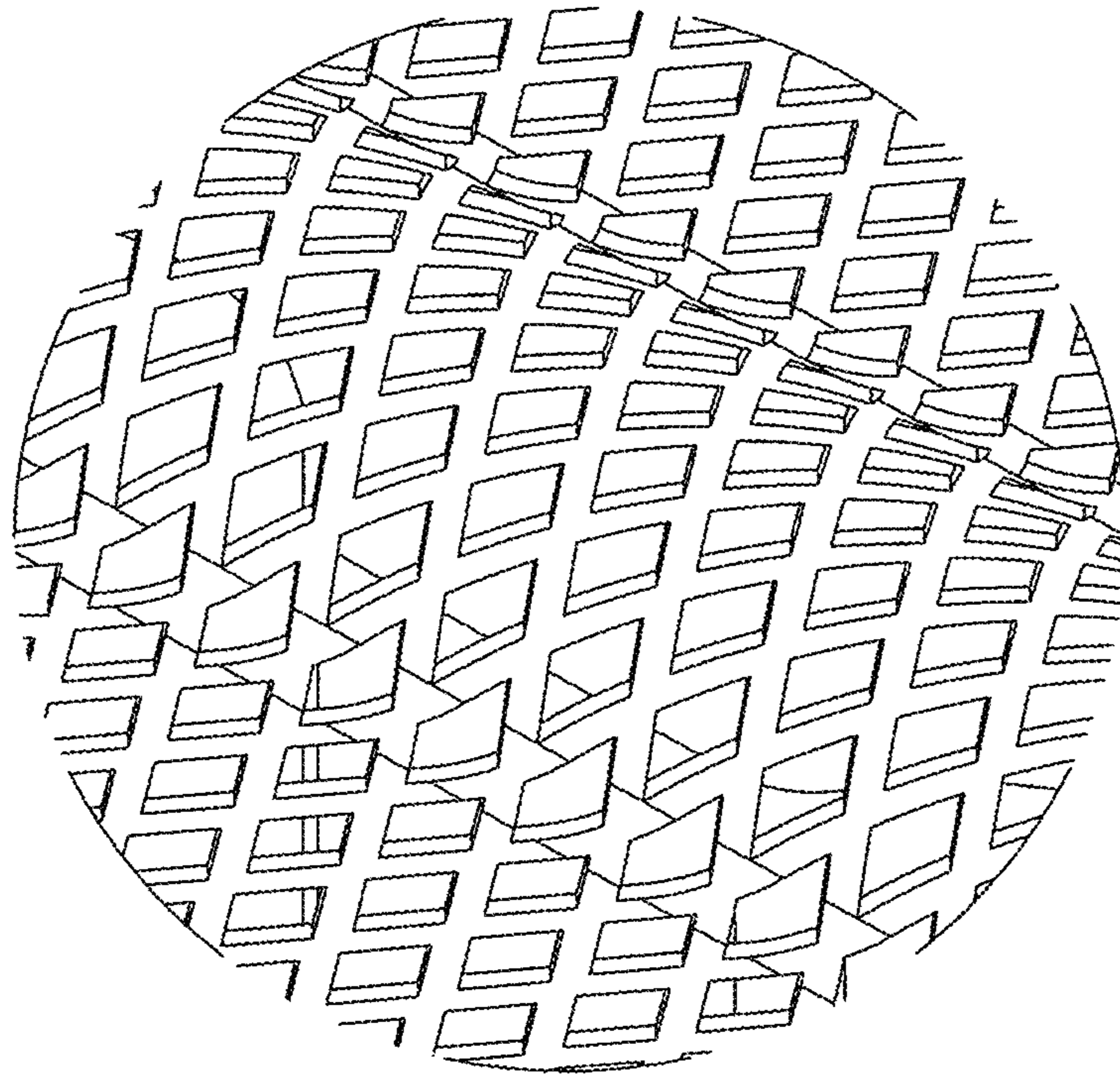


FIG. 20

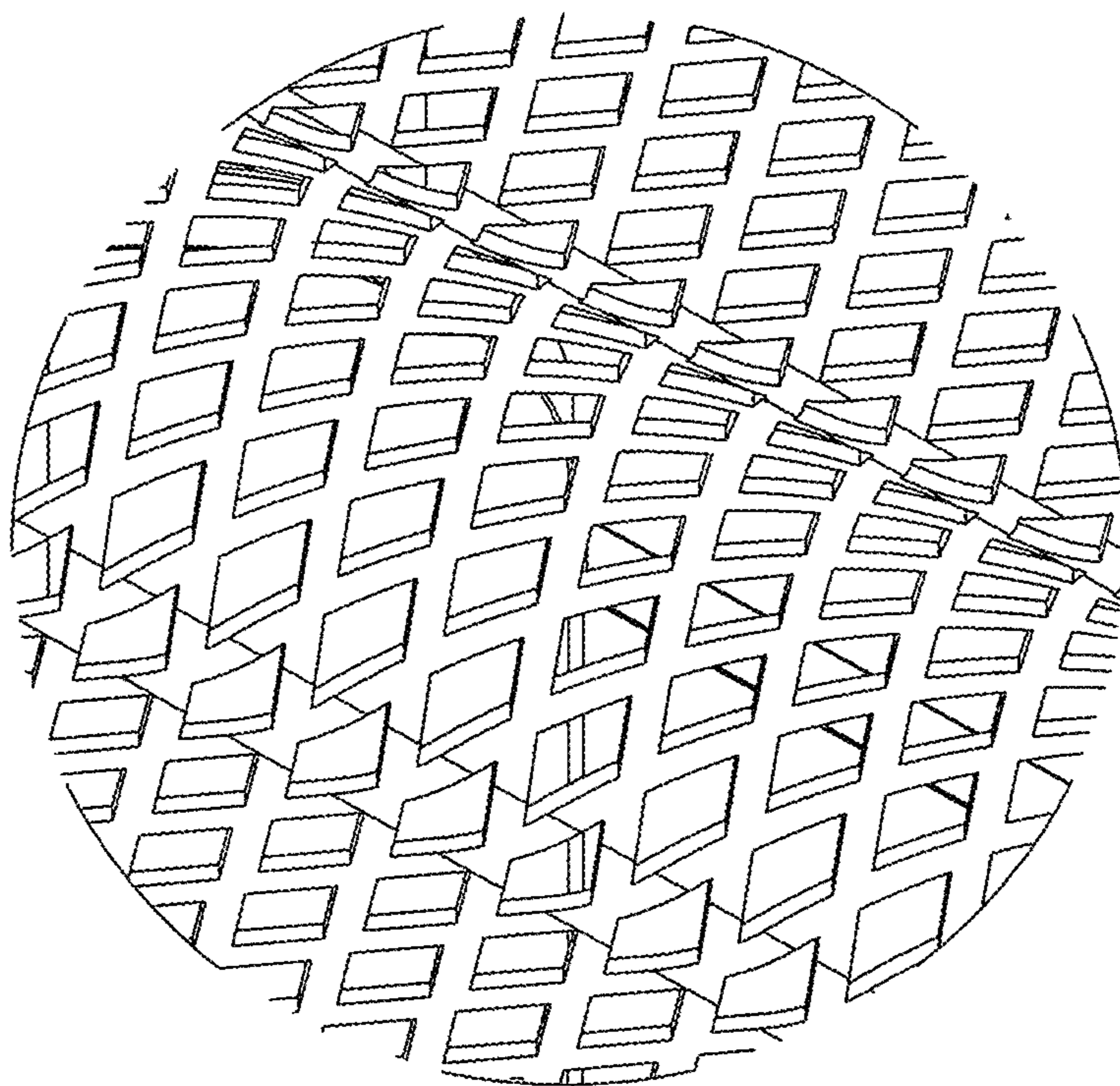


FIG. 21

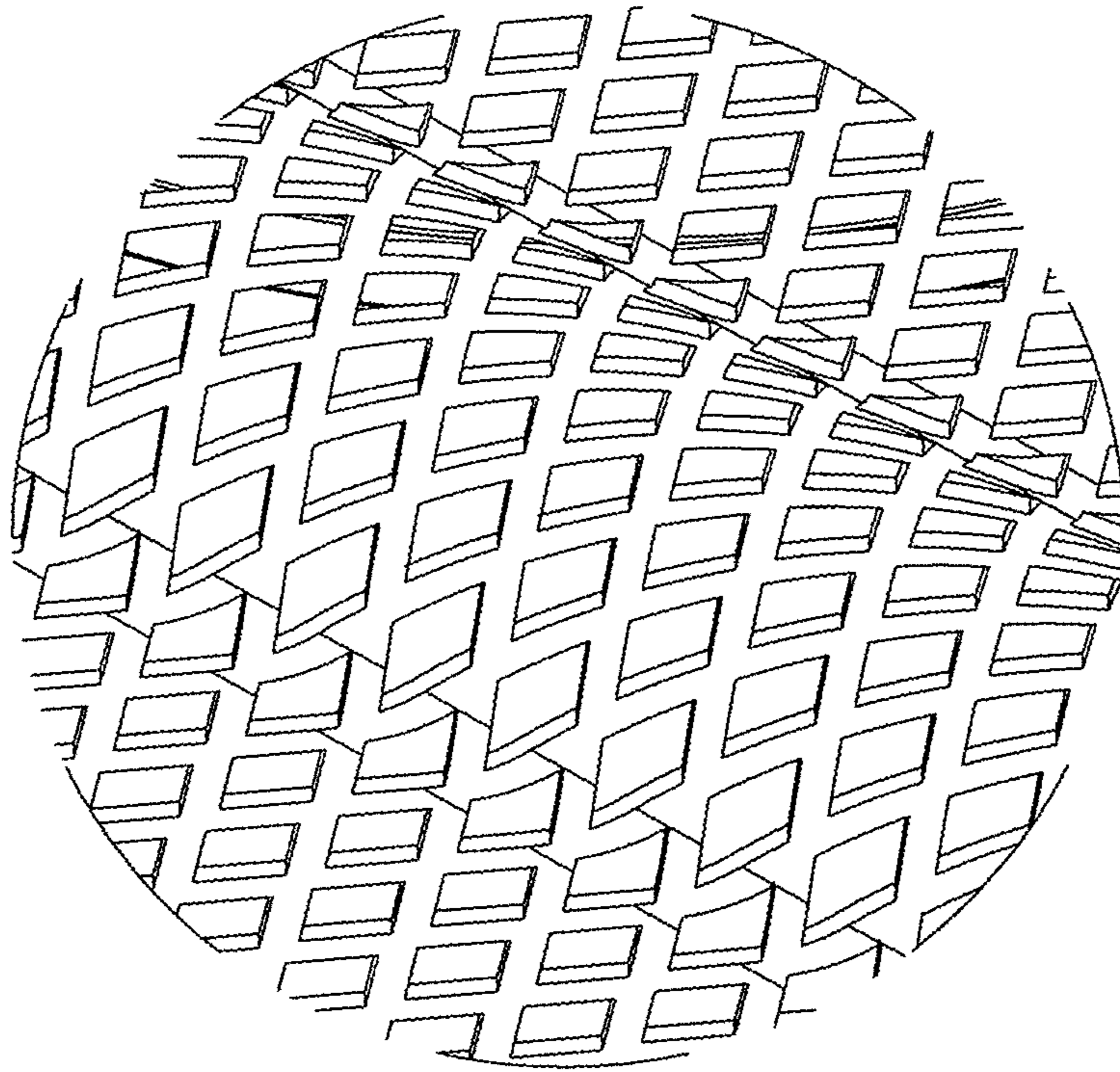


FIG. 22