



US00D927815S

(12) **United States Design Patent** (10) **Patent No.:** **US D927,815 S**
Lambertson, Jr. et al. (45) **Date of Patent:** **** Aug. 10, 2021**

(54) **COATING MATERIAL CONTAINER**

FOREIGN PATENT DOCUMENTS

(71) Applicant: **SWIMC LLC**, Cleveland, OH (US)
(72) Inventors: **Michael C. Lambertson, Jr.**, Aurora, OH (US); **Joshua R. Robertson**, North Ridgeville, OH (US); **Yubing Lu**, Ningbo (CN)

CA 2422885 9/2001
CA 2522230 10/2005

(Continued)

(73) Assignee: **SWIMC LLC**, Cleveland, OH (US)

(**) Term: **15 Years**

(21) Appl. No.: **29/726,239**

(22) Filed: **Mar. 2, 2020**

(51) **LOC (13) Cl.** **07-05**

(52) **U.S. Cl.**
USPC **D32/53**

(58) **Field of Classification Search**
USPC D3/304, 307, 315, 905; D7/603;
D21/532; D23/284, 288, 293; D32/37,
D32/53, 53.1, 54
CPC B44D 3/123; B44D 3/128; B44D 3/12;
B44D 3/126; B44D 3/127; B65D
2543/00092
See application file for complete search history.

OTHER PUBLICATIONS

Disposable Liner [https://www.amazon.com/Werner-AC27-L-Lock-Paint-Liner/dp/B003Z6QBPY/ref=asc_df_B003Z6QBPY/\(Year:2014\).*](https://www.amazon.com/Werner-AC27-L-Lock-Paint-Liner/dp/B003Z6QBPY/ref=asc_df_B003Z6QBPY/(Year:2014).*)

Primary Examiner — Michelle E. Wilson

Assistant Examiner — Richard E Yenchesky

(74) *Attorney, Agent, or Firm* — Tucker Ellis LLP

(57) **CLAIM**

The ornamental design for a coating material container, as shown and described.

DESCRIPTION

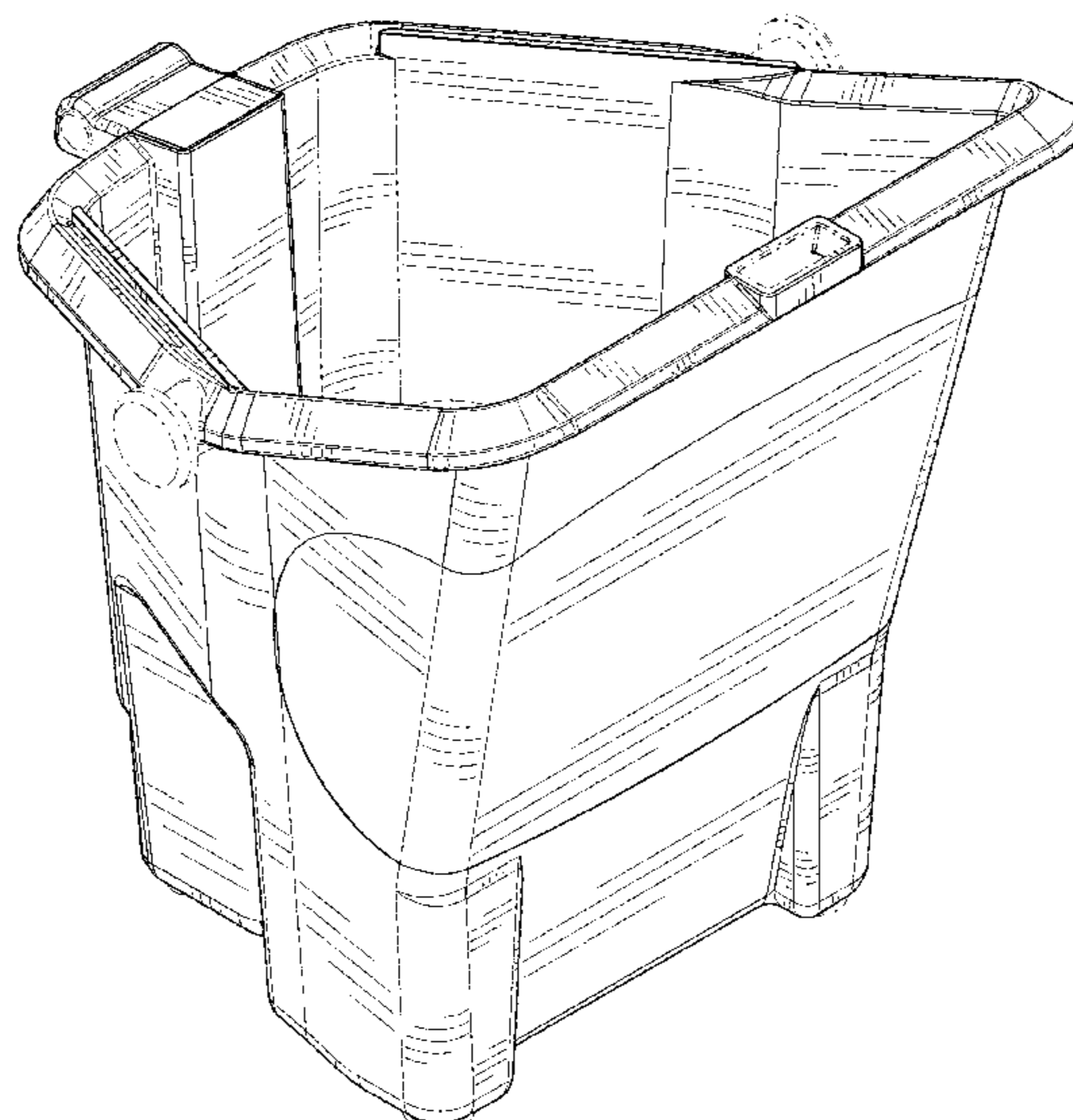
FIG. 1 is a top perspective view of an embodiment of a coating material container showing a new design; FIG. 2 is a bottom perspective view of the coating material container illustrated in FIG. 1. FIG. 3 is a front view of the coating material container illustrated in FIG. 1; FIG. 4 is a rear view of the coating material container illustrated in FIG. 1; FIG. 5 is a left side view of the coating material container illustrated in FIG. 1; FIG. 6 is a right side view of the coating material container illustrated in FIG. 1; FIG. 7 is a top view of the coating material container illustrated in FIG. 1; and, FIG. 8 is a bottom view of the coating material container illustrated in FIG. 1. The broken lines show portions of the design that form no part of the claimed design.

(56) **References Cited**

U.S. PATENT DOCUMENTS

2,277,739 A * 3/1942 Worthington A45C 13/26
16/405
D245,450 S * 8/1977 Donlon D32/53.1
4,101,046 A 7/1978 Puntillo
D364,017 S 11/1995 Moffitt
5,549,216 A 8/1996 Scholl
RE35,933 E 10/1998 Scholl
6,102,458 A 8/2000 Scace
6,138,963 A 10/2000 Malvasio
6,220,491 B1 * 4/2001 Wu B44D 3/14
220/756
D444,929 S 7/2001 Cox
(Continued)

1 Claim, 8 Drawing Sheets



(56)

References Cited

U.S. PATENT DOCUMENTS

6,394,304 B1 5/2002 Bohne
D458,723 S * 6/2002 Malvasio D32/53.1
D460,845 S * 7/2002 Bergman D32/53.1
6,419,106 B1 * 7/2002 Bebak B44D 3/121
220/570
D461,608 S * 8/2002 Davenport D32/53.1
6,530,496 B2 3/2003 Moran
D472,684 S * 4/2003 Bebak D32/53.1
6,708,838 B2 * 3/2004 Bergman B65D 25/2817
220/757
6,729,665 B1 5/2004 Posey
D493,035 S * 7/2004 Bergman D3/304
6,991,829 B2 1/2006 Bergman
7,191,913 B2 * 3/2007 Byrne B44D 3/121
220/570
7,387,323 B1 6/2008 Minnette
D581,118 S * 11/2008 Bergman D32/53.1
7,527,164 B1 * 5/2009 Reichborn B44D 3/123
220/570
D604,471 S * 11/2009 Bergman D32/53.1
D607,624 S * 1/2010 Bergman D32/54
7,644,835 B2 1/2010 Bergman
D617,517 S * 6/2010 Bergman D32/53.1
D627,119 S * 11/2010 Bergman D32/53.1
D634,907 S * 3/2011 Bergman D32/53.1
7,959,030 B2 * 6/2011 Bergman B44D 3/126
220/769
D643,983 S * 8/2011 Lockwood D32/53
8,087,554 B2 1/2012 Gringer
D661,855 S 6/2012 Bergman et al.
8,286,825 B2 10/2012 Billado, Jr.
8,308,341 B2 11/2012 Garcia
8,333,300 B2 12/2012 Diaz
D678,638 S * 3/2013 Bergman D32/54
8,505,788 B2 * 8/2013 Thibault B44D 3/14
224/148.7
D690,482 S 9/2013 Bergman et al.
8,550,285 B2 10/2013 Bergman
8,556,116 B2 10/2013 Bergman
8,608,019 B2 12/2013 Wren
D697,281 S * 1/2014 Bergman D32/53.1
8,636,171 B1 * 1/2014 Dattilo B44D 3/12
220/731
D702,907 S * 4/2014 Bergman D32/54
8,919,604 B2 12/2014 Bergman
D723,235 S * 2/2015 Bergman D32/53.1
D728,884 S * 5/2015 Waffensmith D32/54
9,022,253 B2 5/2015 Oster
D738,057 S * 9/2015 Arvinte D32/53.1
D744,186 S * 11/2015 Gringer D32/53.1
D744,711 S * 12/2015 Gringer D32/53.1
D756,049 S * 5/2016 Arvinte D32/53
D756,583 S * 5/2016 Arvinte D32/53
D761,511 S * 7/2016 Malvasio D32/53.1
9,409,200 B2 8/2016 Bergman
9,415,901 B2 8/2016 Beckman
D783,917 S * 4/2017 Gringer D32/53.1
D785,268 S * 4/2017 Gringer D32/54
D794,892 S * 8/2017 Bergman D32/53.1
D796,140 S * 8/2017 Bergman D32/53.1
D804,124 S * 11/2017 Sagastume D32/53
D832,544 S * 10/2018 Bergman D32/53.1
D838,072 S * 1/2019 Bergman D32/53.1
D845,572 S * 4/2019 Pollard D32/54

10,266,306 B2 4/2019 Bergman
D861,274 S * 9/2019 Mitchell D32/54
D866,900 S * 11/2019 Bergman D32/53.1
D867,708 S * 11/2019 Bergman D32/53.1
10,501,989 B1 * 12/2019 McDonough E06C 7/14
D876,742 S * 2/2020 Pollard D32/54
D877,438 S * 3/2020 Holding D32/54
D887,097 S * 6/2020 Holding D32/54
D887,660 S * 6/2020 Bergman D32/54
D908,999 S * 1/2021 Lambertson, Jr. D32/53.1
2003/0184103 A1 10/2003 Cauchy
2004/0206761 A1 10/2004 Frantz
2006/0065668 A1 3/2006 Whitaker
2006/0175362 A1 8/2006 Gringer
2006/0201951 A1 * 9/2006 Cingel B44D 3/125
220/570
2006/0226154 A1 10/2006 Lundy
2007/0012705 A1 1/2007 Bergman
2007/0295768 A1 12/2007 Gringer
2008/0223810 A1 * 9/2008 Garcia B01F 7/1695
215/201
2008/0251525 A1 * 10/2008 Fontaine B44D 3/14
220/756
2010/0140275 A1 * 6/2010 Billado, Jr. B44D 3/127
220/570
2011/0163104 A1 * 7/2011 Hagen B65D 25/02
220/529
2011/0315700 A1 12/2011 MacDonald
2013/0119064 A1 * 5/2013 MacKay B44D 3/123
220/495.02
2013/0175281 A1 * 7/2013 Dattilo B65D 25/2888
220/660
2013/0341341 A1 * 12/2013 Giedroyce B65D 25/2876
220/754
2014/0043732 A1 2/2014 McKay et al.
2015/0217595 A1 8/2015 Piatek et al.
2015/0298496 A1 10/2015 Payne
2016/0229591 A1 * 8/2016 Bajuyo B65D 25/282
2017/0057697 A1 * 3/2017 Fee B65D 21/0233
2017/0113838 A1 4/2017 Bergman
2017/0129277 A1 * 5/2017 Rogowski B65D 25/2829
2017/0253380 A1 * 9/2017 Boyer A45F 3/18
2018/0043731 A1 * 2/2018 Cheng B44D 3/123
2018/0043732 A1 * 2/2018 Gringer B44D 3/123
2019/0217991 A1 7/2019 Bergman et al.
2020/0276859 A1 * 9/2020 Lambertson, Jr. B65D 25/32

FOREIGN PATENT DOCUMENTS

CA 2800164 10/2005
CA 2800172 10/2005
CA 2508552 10/2006
CA 2959636 3/2017
DE 60127156 T2 11/2007
EP 1792834 6/2007
EP 1332095 7/2007
EP 1792834 11/2007
EP 2565049 6/2013
EP 3213655 6/2017
GB 881203 11/1961
GB 1190428 5/1970
GB 2404608 9/2005
WO 9118810 12/1991
WO 0027719 5/2000
WO 0224537 3/2002
WO 2010036606 4/2010

* cited by examiner

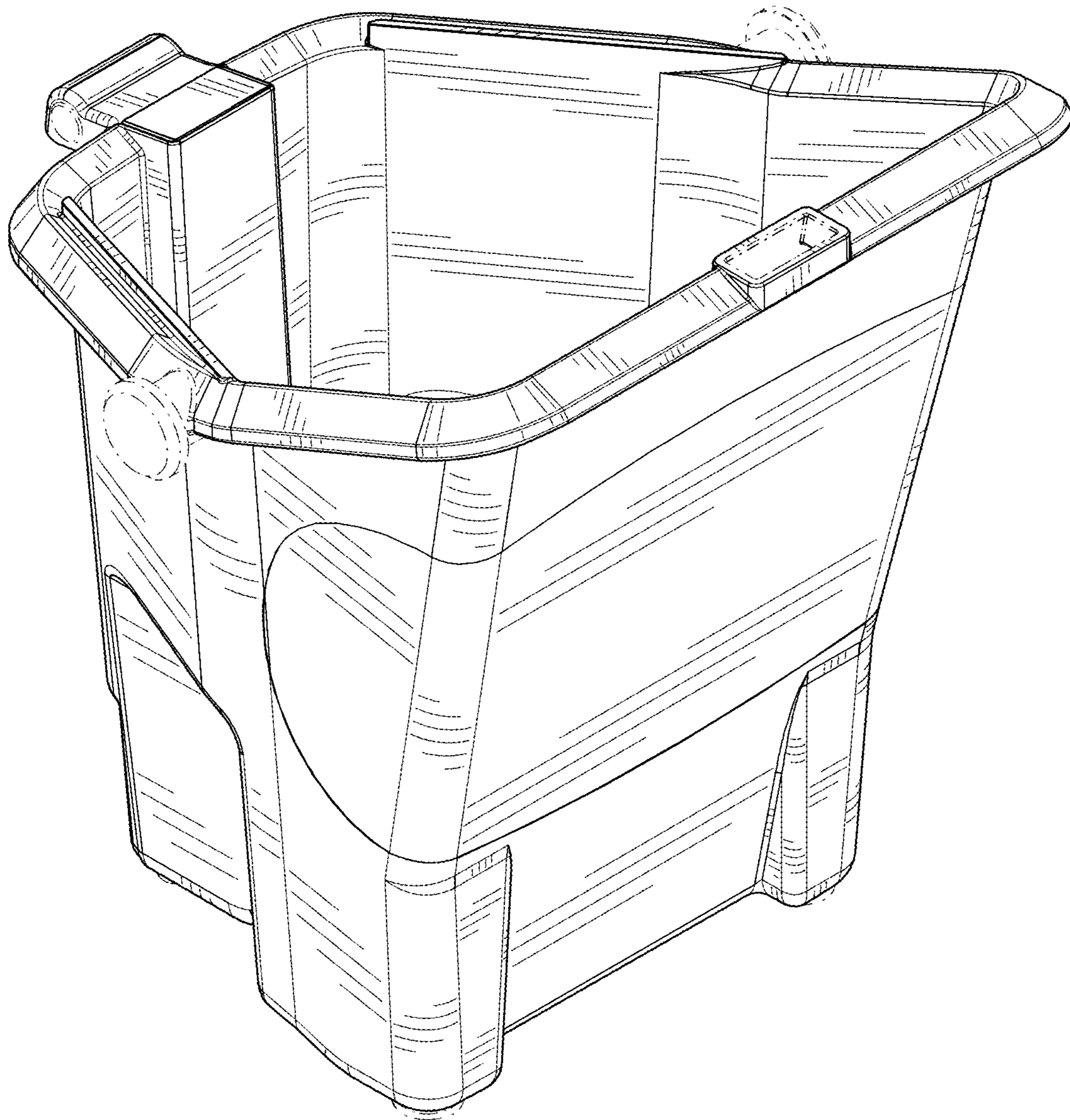


FIG. 1

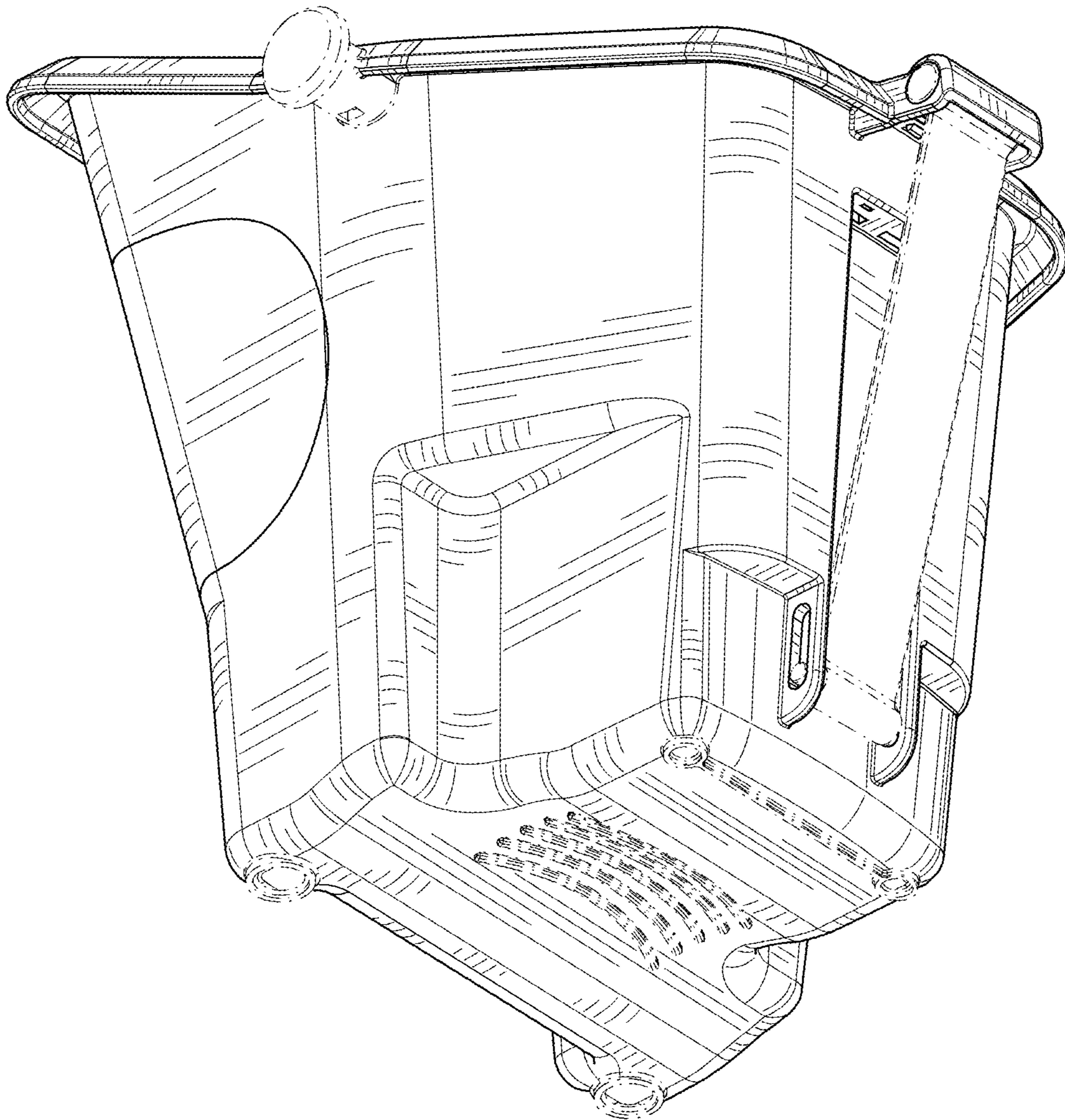


FIG. 2

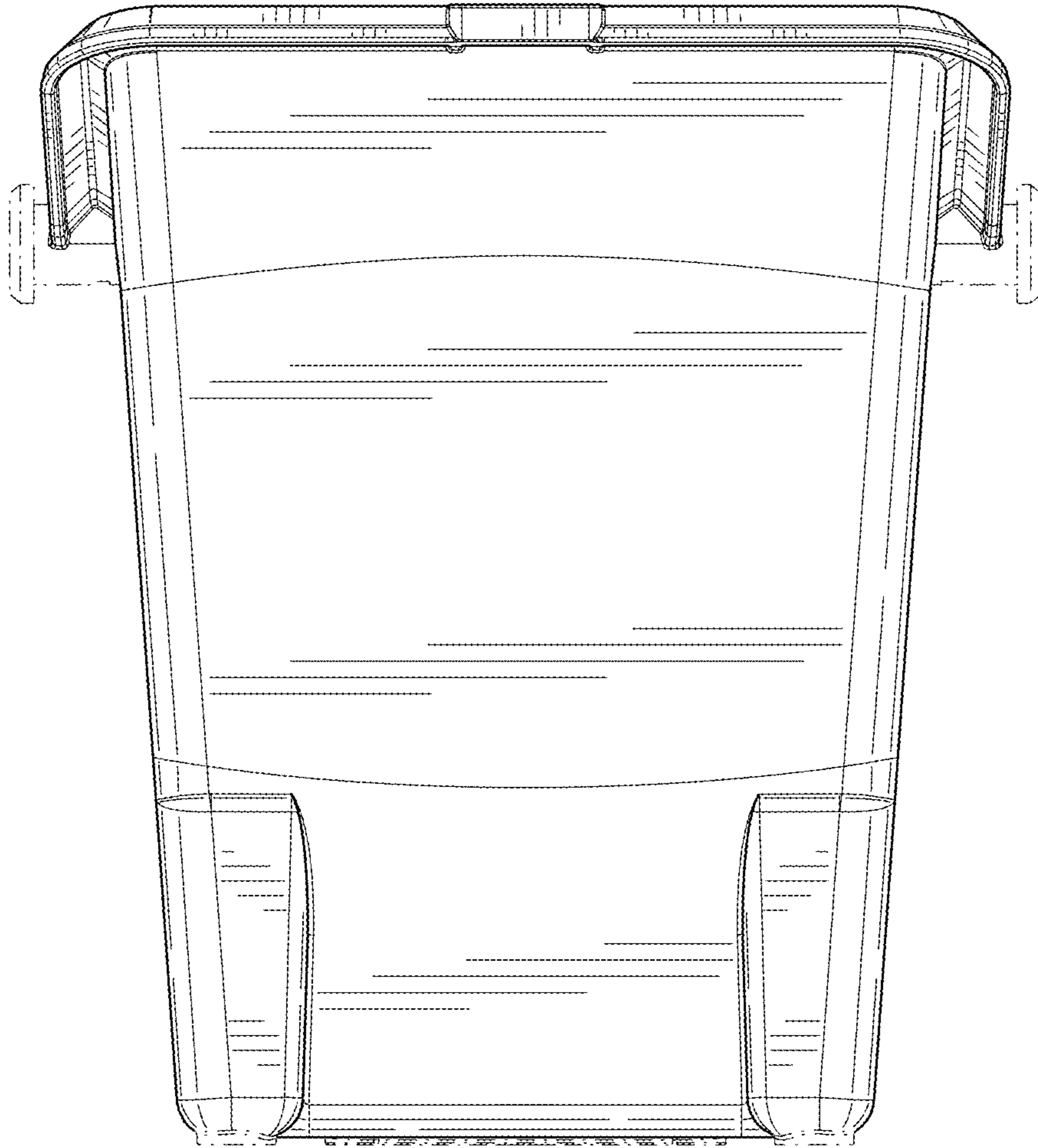


FIG. 3

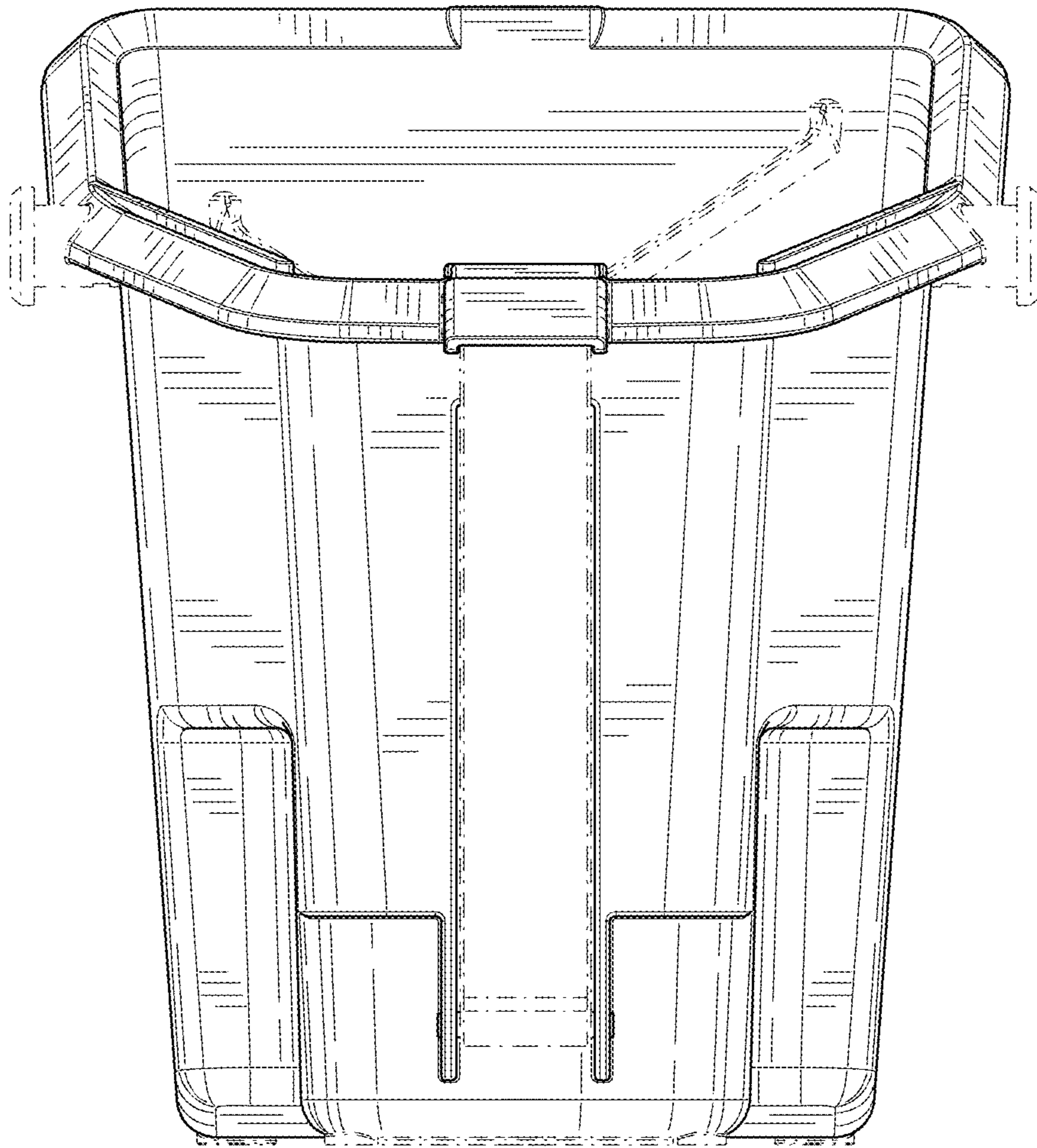


FIG. 4

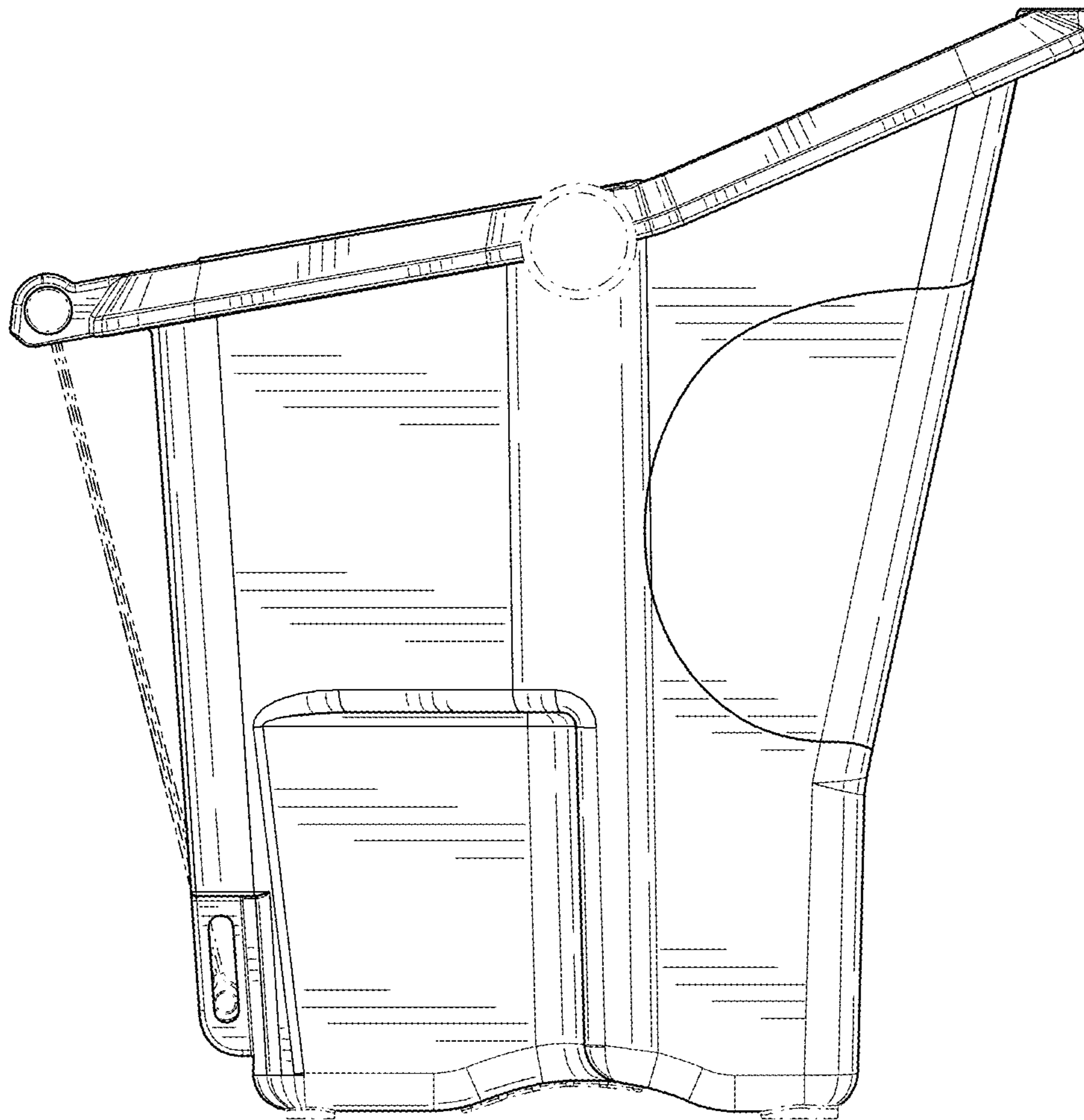


FIG. 5

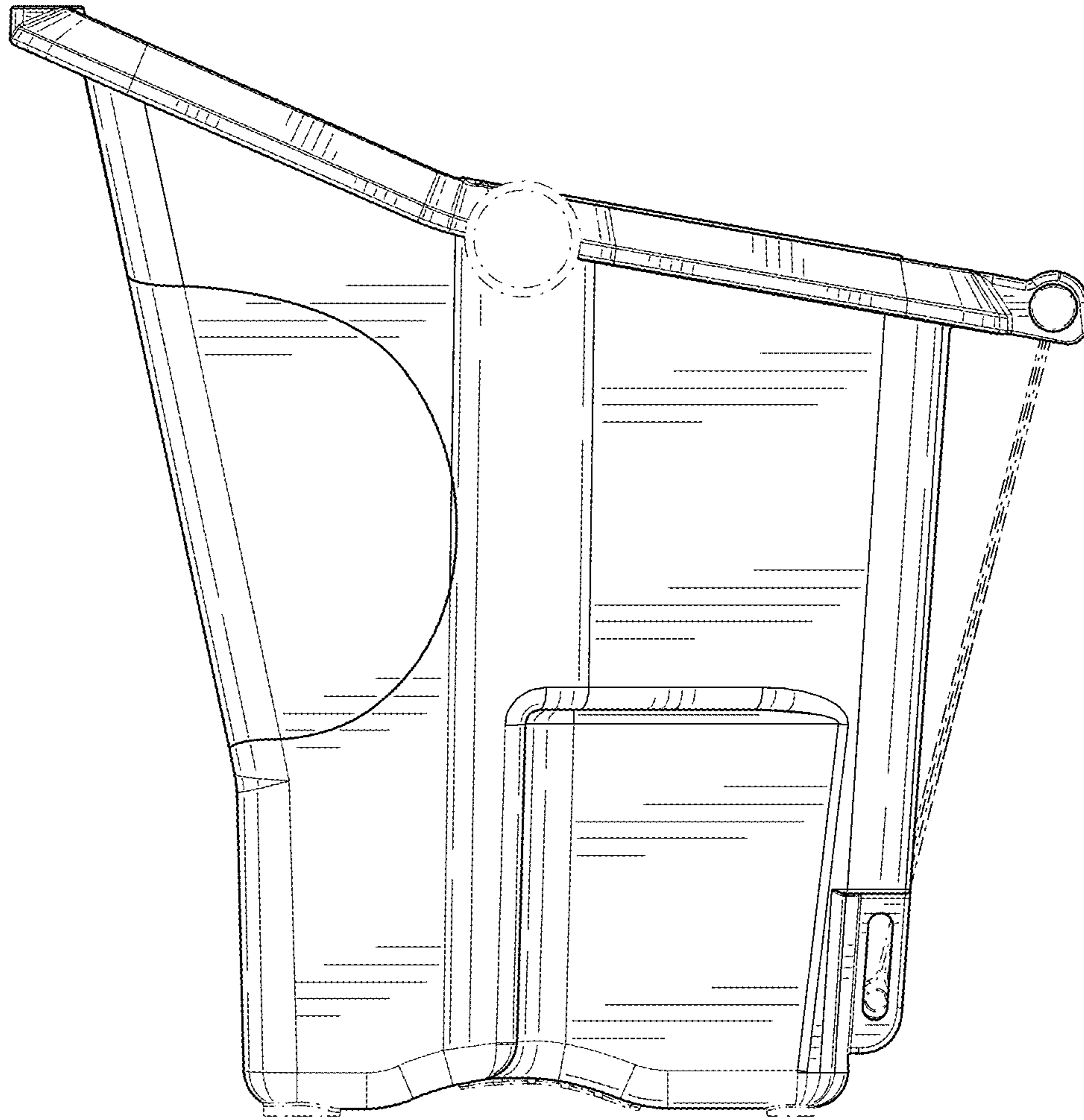


FIG. 6

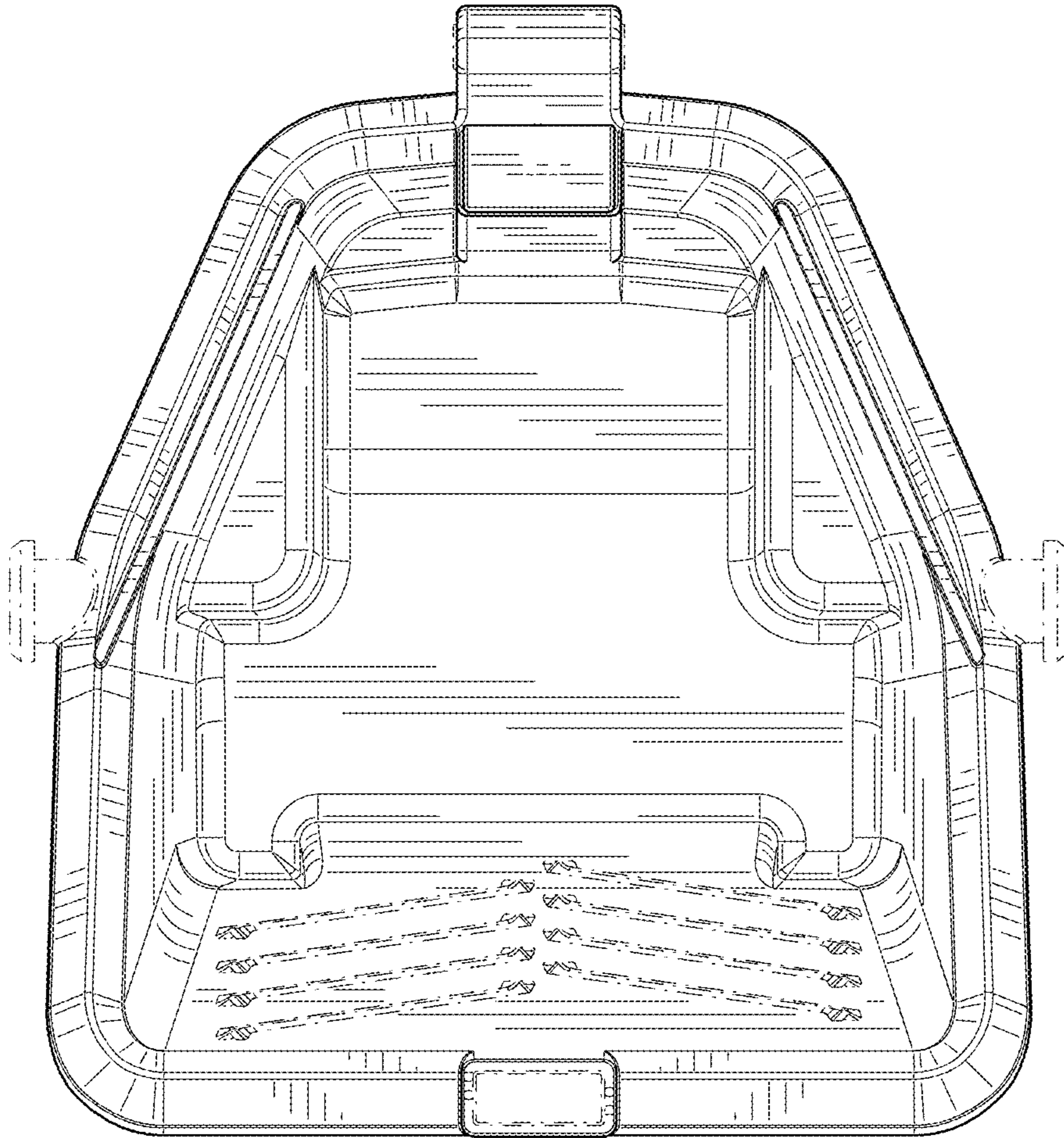


FIG. 7

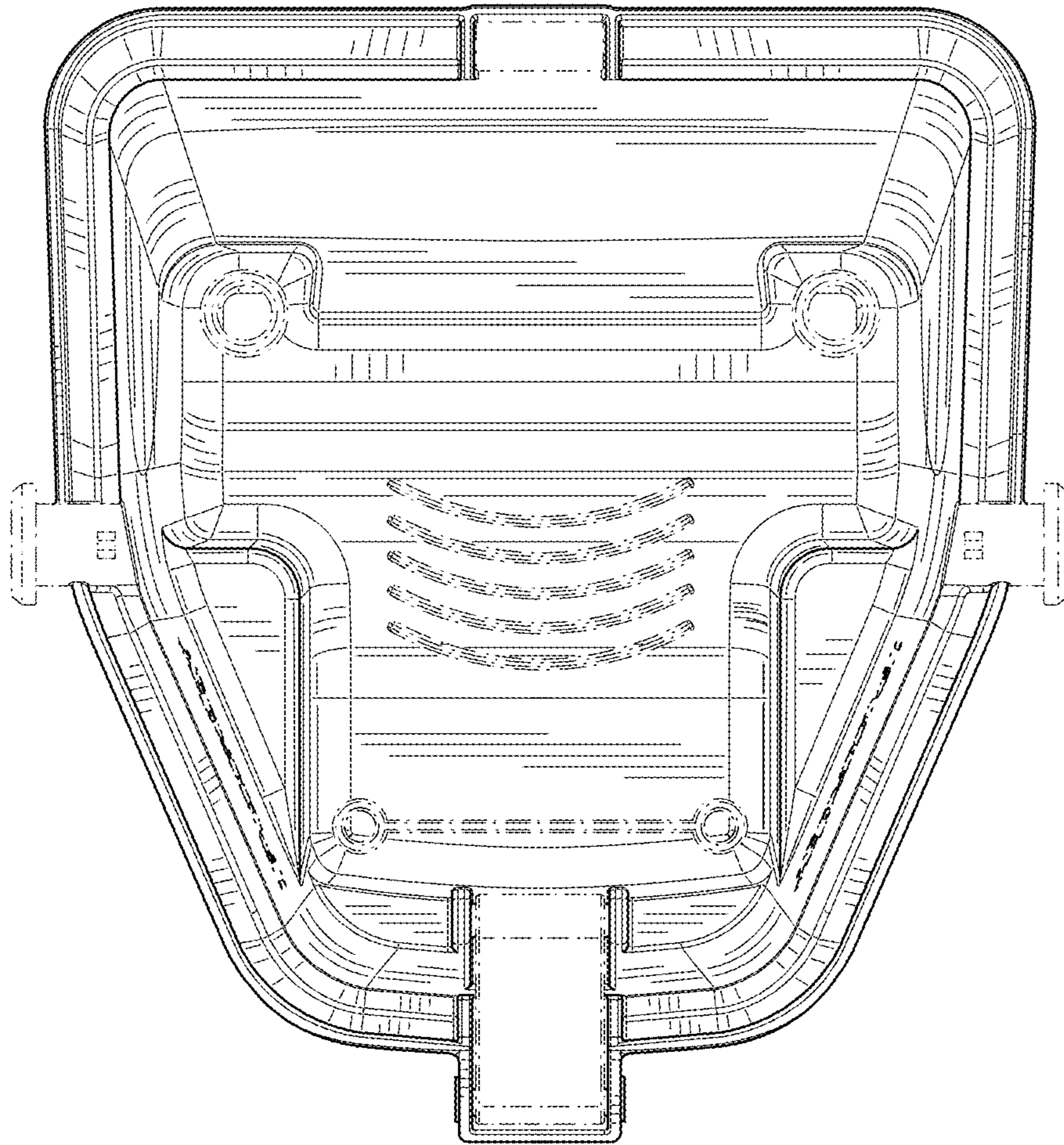


FIG. 8