



US00D927814S

(12) **United States Design Patent** (10) **Patent No.:** **US D927,814 S**  
**Buckley** (45) **Date of Patent:** **\*\* Aug. 10, 2021**

(54) **SQUEEGEE TOOL**  
(71) Applicant: **Unger Marketing International, LLC**,  
Bridgeport, CT (US)  
(72) Inventor: **James M. Buckley**, New Hartford, CT  
(US)  
(73) Assignee: **UNGER MARKETING**  
**INTERNATIONAL, LLC**, Bridgeport,  
CT (US)  
(\*\*) Term: **15 Years**  
(21) Appl. No.: **29/681,862**  
(22) Filed: **Feb. 28, 2019**  
(51) **LOC (13) Cl.** ..... **07-05**  
(52) **U.S. Cl.**  
USPC ..... **D32/41**  
(58) **Field of Classification Search**  
USPC ..... D32/46-49; D8/94, 98, 105; D4/104,  
D4/138  
CPC ..... A47L 13/10; A47L 13/12; A47J 37/0786;  
A47J 37/00; A47J 37/07; A45F 5/00  
See application file for complete search history.

D357,563 S \* 4/1995 Vosbikian ..... D32/41  
D368,344 S \* 3/1996 Hansen ..... D32/41  
D388,934 S 1/1998 Ames, Jr. et al.  
5,862,562 A 1/1999 Erken  
6,092,255 A 7/2000 Kim  
D447,301 S \* 8/2001 Adair ..... D32/41  
(Continued)

**FOREIGN PATENT DOCUMENTS**

CN 305259023 \* 7/2019  
DE 202008012503 U1 12/2006  
(Continued)

**OTHER PUBLICATIONS**

Unger® Sanitary Standard Floor Squeegee, Hyko website 2021,  
<https://hyko.com/p/UNGPM45A/Unger-Sanitary-Standard-Floor-Squeegee-18-Wide-Blad> . . . site visited Mar. 22, 2021.\*  
(Continued)

*Primary Examiner* — John R Yeh  
(74) *Attorney, Agent, or Firm* — Cantor Colburn LLP

(57) **CLAIM**

The ornamental design for a squeegee tool, as shown and described.

**DESCRIPTION**

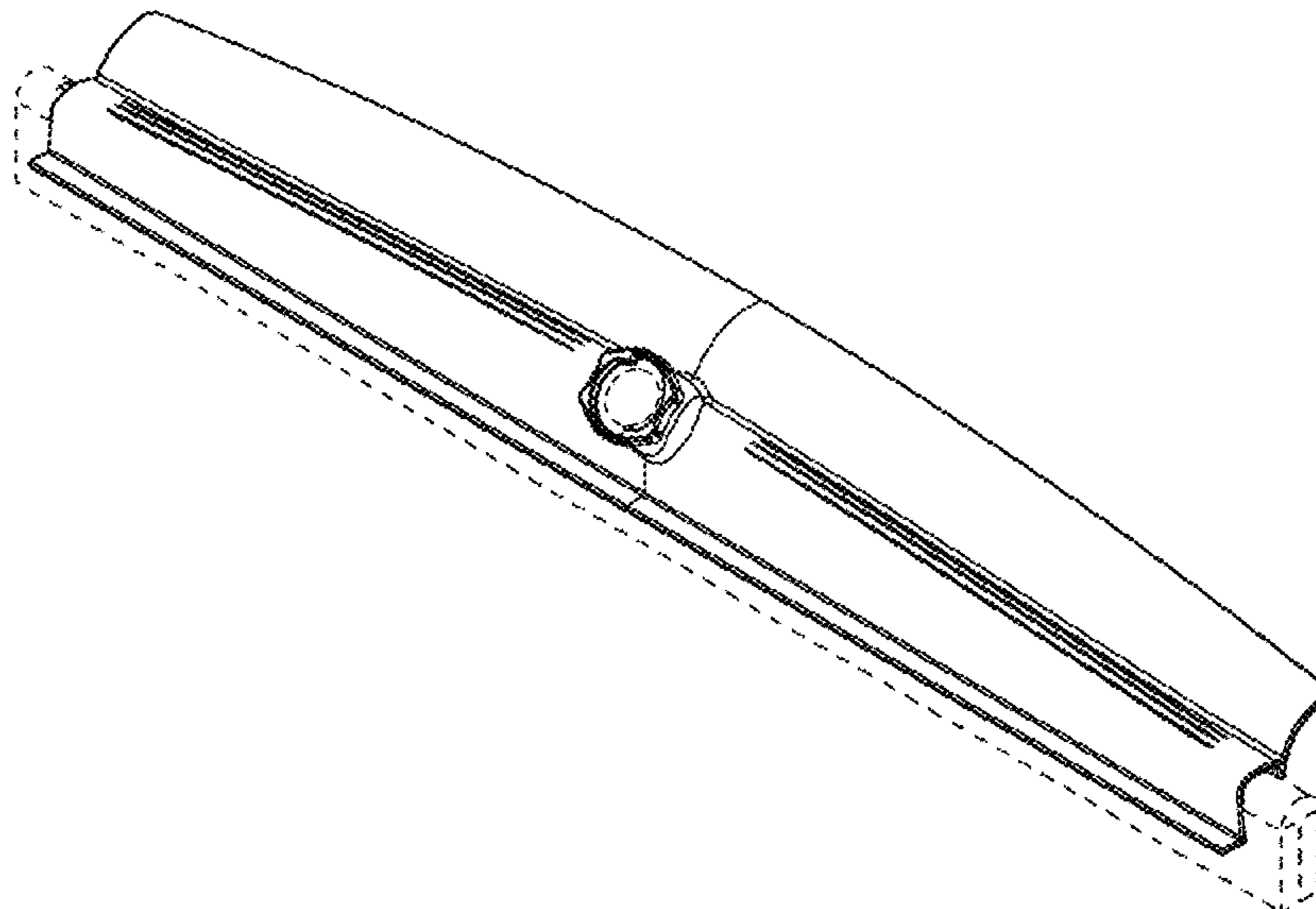
FIG. 1 is a front, top perspective view of my design for a squeegee tool;  
FIG. 2 is a front, bottom perspective view thereof;  
FIG. 3 is a front view thereof;  
FIG. 4 is a rear view thereof;  
FIG. 5 is a side view thereof, the opposite side being a mirror image thereof;  
FIG. 6 is a top view thereof; and,  
FIG. 7 is a bottom view thereof.  
The broken lines in the figures depict portions of the squeegee tool that form no part of the claimed design.

**1 Claim, 4 Drawing Sheets**

(56) **References Cited**

**U.S. PATENT DOCUMENTS**

1,215,239 A 2/1917 Bayless  
1,236,126 A 8/1917 Wightman  
1,720,630 A 7/1929 Eiermann  
2,903,730 A 9/1959 Murphy  
3,564,638 A 2/1971 Buchholtz  
D280,247 S \* 8/1985 Jones ..... D32/41  
4,607,411 A 8/1986 Lewis, Jr.  
D296,946 S \* 7/1988 Stirling ..... D32/41  
4,766,632 A 8/1988 Murray  
4,809,388 A 3/1989 Dietrich  
D313,295 S \* 12/1990 Maertens ..... D32/42  
5,321,868 A \* 6/1994 Coulson ..... B41F 15/02  
101/114



(56)

References Cited

U.S. PATENT DOCUMENTS

6,397,427 B1 6/2002 Bryngelsson  
 6,637,180 B2 10/2003 Gullotti  
 6,804,853 B2 10/2004 Wang  
 7,178,190 B2 2/2007 Jones et al.  
 D539,496 S \* 3/2007 Sickler ..... D32/41  
 D548,907 S \* 8/2007 Killen ..... D32/41  
 D585,616 S 1/2009 Libman et al.  
 7,549,195 B2 6/2009 Bensussan et al.  
 7,717,524 B2 5/2010 Weaver  
 D627,532 S \* 11/2010 Yang ..... D32/41  
 D652,595 S \* 1/2012 Pottes ..... D32/41  
 8,087,514 B1 1/2012 Fulford  
 8,196,249 B1 6/2012 Spooner et al.  
 8,241,427 B1 8/2012 Crawford et al.  
 8,398,330 B2 3/2013 Bensussan et al.  
 D685,547 S \* 7/2013 Vasilakes ..... D32/40  
 D685,554 S 7/2013 Malvasio  
 D704,911 S \* 5/2014 Albo ..... D32/41  
 D762,989 S 8/2016 Buckley et al.  
 D764,127 S \* 8/2016 Vicari ..... D32/41  
 D771,338 S \* 11/2016 Smith ..... D32/41  
 D773,141 S \* 11/2016 Chitayat ..... D32/41  
 D773,766 S 12/2016 Smith et al.  
 D787,144 S \* 5/2017 Thompson ..... D32/41  
 9,737,133 B2 8/2017 Hevlin et al.  
 9,913,565 B2 3/2018 Smith et al.  
 D824,128 S \* 7/2018 O'Shea ..... D32/46  
 D825,953 S \* 8/2018 Diamond ..... D6/580  
 D840,123 S \* 2/2019 Varner ..... D32/41  
 D911,063 S \* 2/2021 Nguyen ..... D6/580  
 2003/0044220 A1 \* 3/2003 Vito ..... B05B 11/0005  
 401/266  
 2003/0084529 A1 5/2003 Rudd  
 2003/0150478 A1 8/2003 Biggs  
 2003/0200631 A1 10/2003 Clarke

2005/0193516 A1 \* 9/2005 Hughes ..... A47L 13/08  
 15/236.01  
 2006/0200924 A1 9/2006 Hampton  
 2007/0020039 A1 \* 1/2007 Demuth ..... A47L 13/11  
 401/266  
 2007/0169302 A1 7/2007 Madhala  
 2008/0104788 A1 5/2008 Wothers  
 2011/0247157 A1 10/2011 Caillou  
 2014/0123425 A1 5/2014 Harper et al.  
 2014/0202492 A1 7/2014 Grossman et al.

FOREIGN PATENT DOCUMENTS

DE 102007027124 A1 10/2008  
 EP 2359728 A2 8/2011  
 FR 2691348 A3 11/1993  
 FR 315212001 A1 2/2002  
 GB 1058666 A1 10/1989  
 GB 3009481 A1 3/2003  
 WO WO D2100084-005 \* 9/2009

OTHER PUBLICATIONS

Amazon.com: Ettore 11112 Rust Proof Aluminum Squeegee, 12",  
 Reviews 2014, <http://www.amazon.com/Ettore-11112-Proof-Aluminum-Squeegee/dp/B000BQW5SS/ref...> [Site visited Apr. 26, 2016].  
 Amazon.com: Ettore 17008 All-Purpose Squeegee, 8-Inch, Reviews  
 2014, <https://www.amazon.com/Ettore-17008-All-Purpose-Squeegee-8-Inch/dp/B000BQU0CQ/ref...> [Site visited Apr. 26, 2016].  
 Amazon.com: Made in USA!! Cleret iDO 2 Shower Squeegee with  
 Aqua Dual Edge Replaceable 12" Cleaning Blade: by Cleret,  
 Reviews 2016, <https://www.amazon.com/Cleret-Shower-Squeegee-Replaceable-Cleaning/dp/B00015GDRI/ref...> [Site Visited Apr.  
 26, 2016].

\* cited by examiner

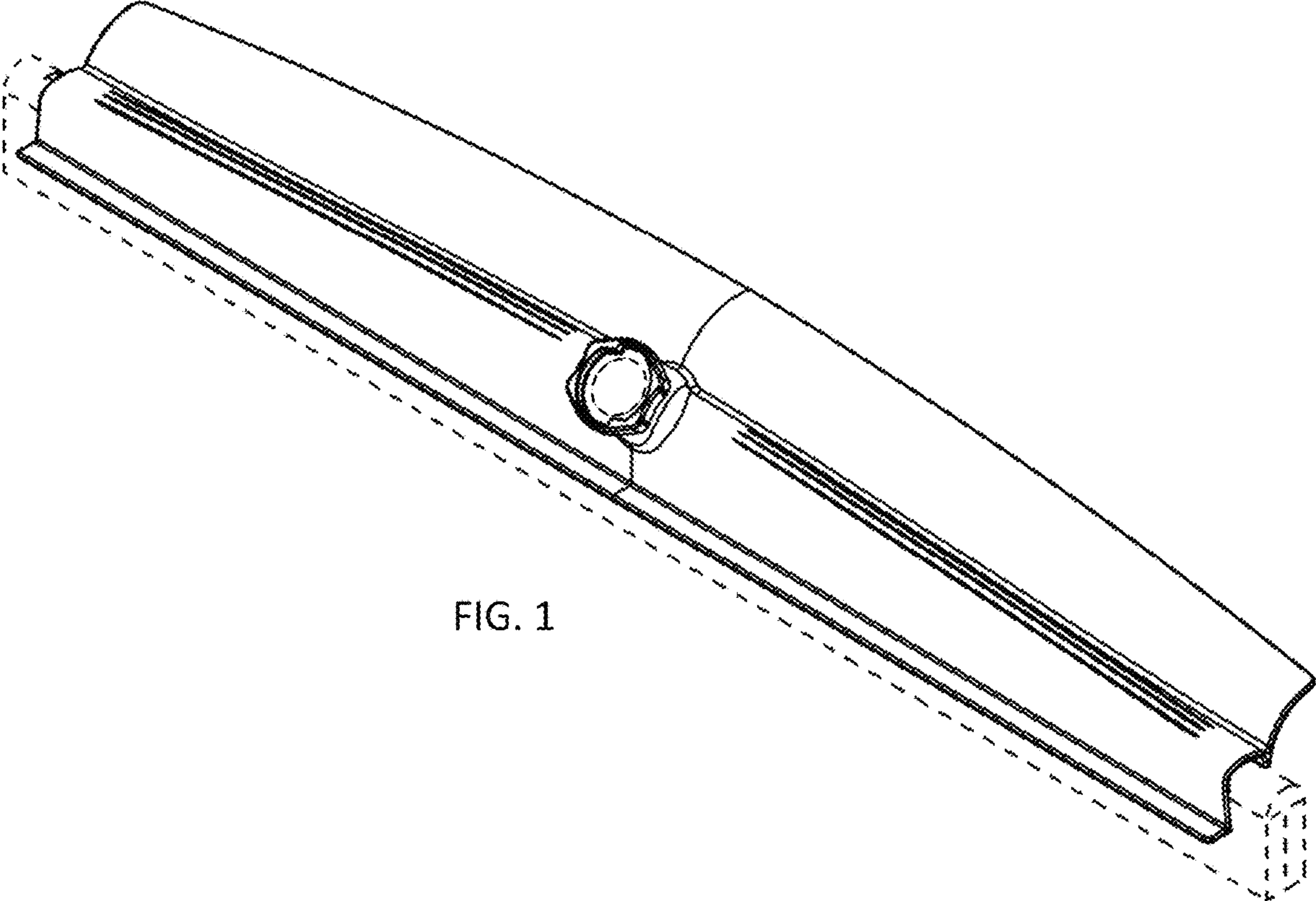


FIG. 1

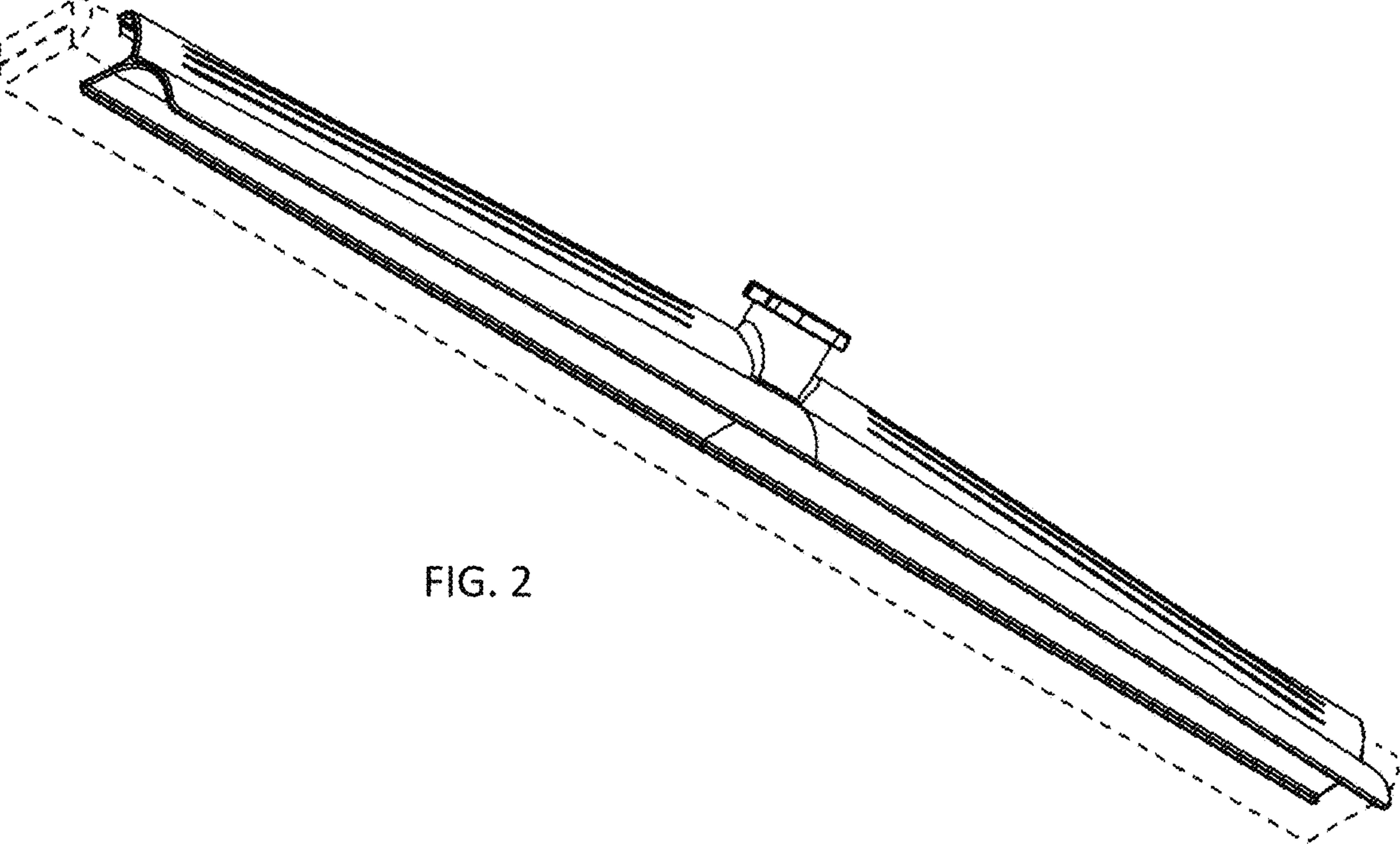


FIG. 2

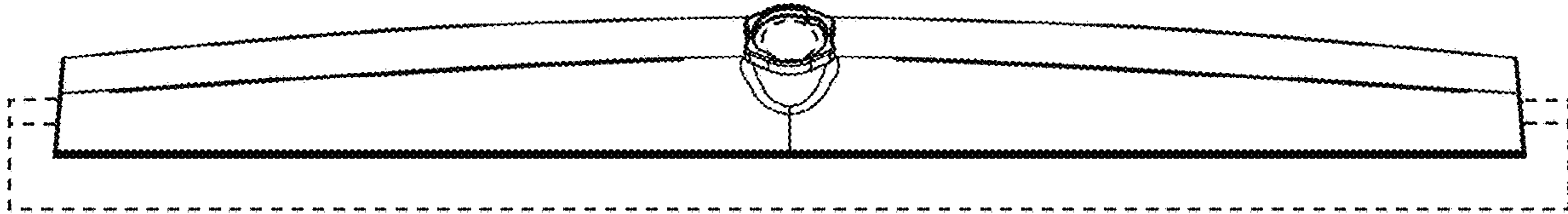


FIG. 3

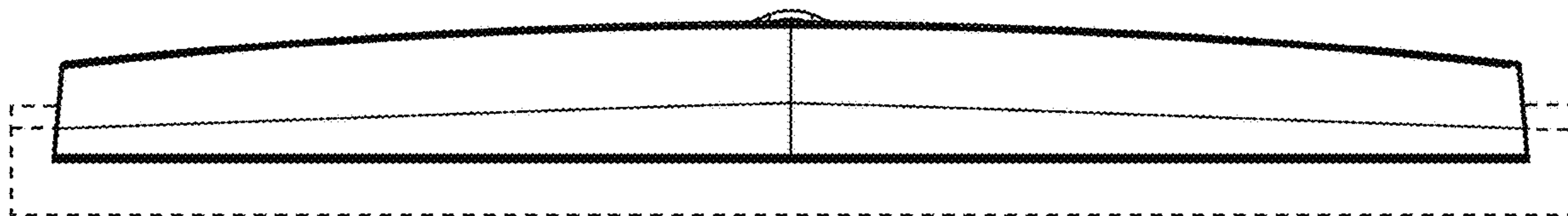


FIG. 4

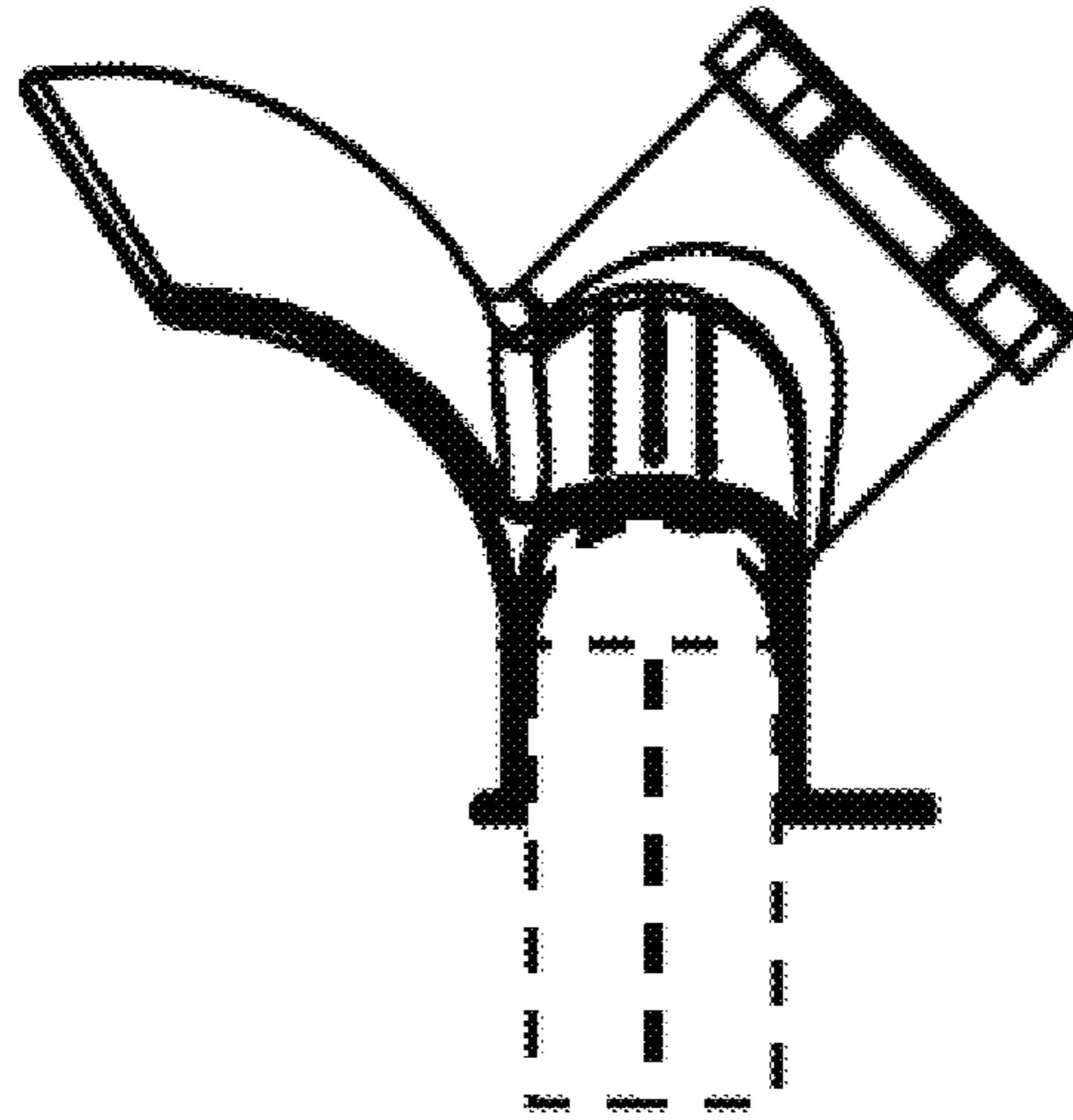


FIG. 5

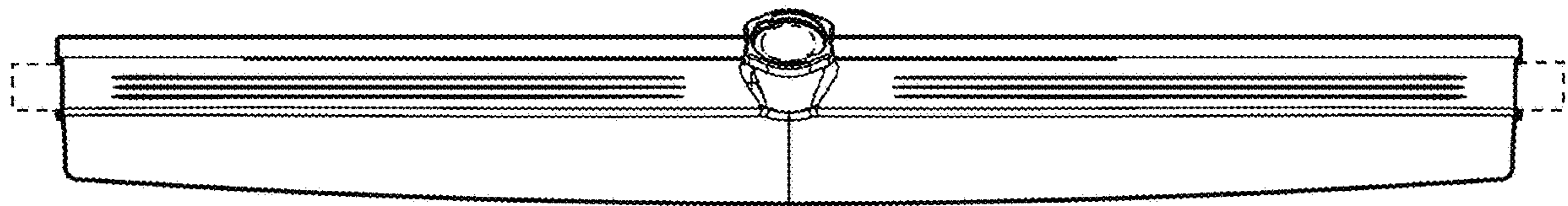


FIG. 6

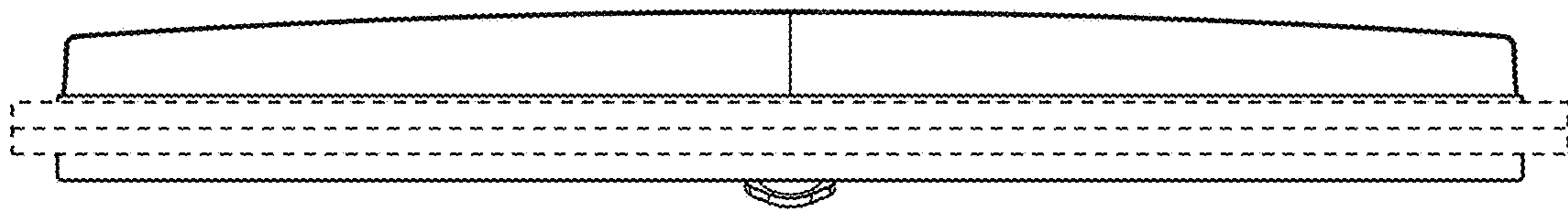


FIG. 7