



US00D927810S

(12) **United States Design Patent** (10) **Patent No.:** **US D927,810 S**
Lange (45) **Date of Patent:** **** Aug. 10, 2021**

(54) **DIRECTIONAL ARM FOR A VACUUM CLEANER TUBE**

D334,447 S * 3/1993 Rohn D32/34
D381,479 S * 7/1997 Worwag D32/22
5,722,110 A * 3/1998 McIntyre A47L 5/14
15/329
D471,329 S * 3/2003 Heun D32/15
D565,819 S * 4/2008 Renner D32/34
D670,056 S * 10/2012 Ventress D32/34
D725,857 S * 3/2015 Bennett D32/34

(71) Applicant: **LANGE CHRISTIAN SA**, Andenne (BE)

(72) Inventor: **Christian Lange**, Ohey (BE)

(73) Assignee: **LANGE CHRISTIAN SA**, Andenne (BE)

(**) Term: **15 Years**

(21) Appl. No.: **35/507,903**

(22) Filed: **May 7, 2019**

(80) **Hague Agreement Data**

Int. Filing Date: **May 7, 2019**
Int. Reg. No.: **DM/204139**
Int. Reg. Date: **May 7, 2019**
Int. Reg. Pub. Date: **Nov. 29, 2019**

(30) **Foreign Application Priority Data**

Nov. 7, 2018 (EM) 005818879-0001

(51) **LOC (13) Cl.** **15-05**

(52) **U.S. Cl.**
USPC **D32/34**

(58) **Field of Classification Search**

USPC D32/15, 17, 18, 25, 31-34, 38, 39, 45
CPC A47L 5/00; A47L 5/28; A47L 5/30; A47L 5/32; A47L 5/24; A47L 5/34; A47L 9/32; E01H 1/0827; E01H 1/08; E01H 1/0863; E01H 1/0836

See application file for complete search history.

(56) **References Cited**

U.S. PATENT DOCUMENTS

D271,521 S * 11/1983 Ryan D23/226
D294,988 S * 3/1988 Goodrich D32/34
D315,043 S * 2/1991 Hayden D32/34

FOREIGN PATENT DOCUMENTS

CA 1268306 A * 5/1990 E01H 1/08
CN 201430380586 * 10/2014

OTHER PUBLICATIONS

Youtube, Glutton Electric Waste Vacuum cleaner exterior and interior, posted Apr. 26, 2018, [online], [visited Sep. 28, 2020]. Internet, <URL: <https://www.youtube.com/watch?v=k2tj2mfdFtY>> (Year: 2018).*

(Continued)

Primary Examiner — George D. Kirschbaum
Assistant Examiner — Samantha N Wood

(57) **CLAIM**

The ornamental design for a directional arm for a vacuum cleaner tube, as shown and described.

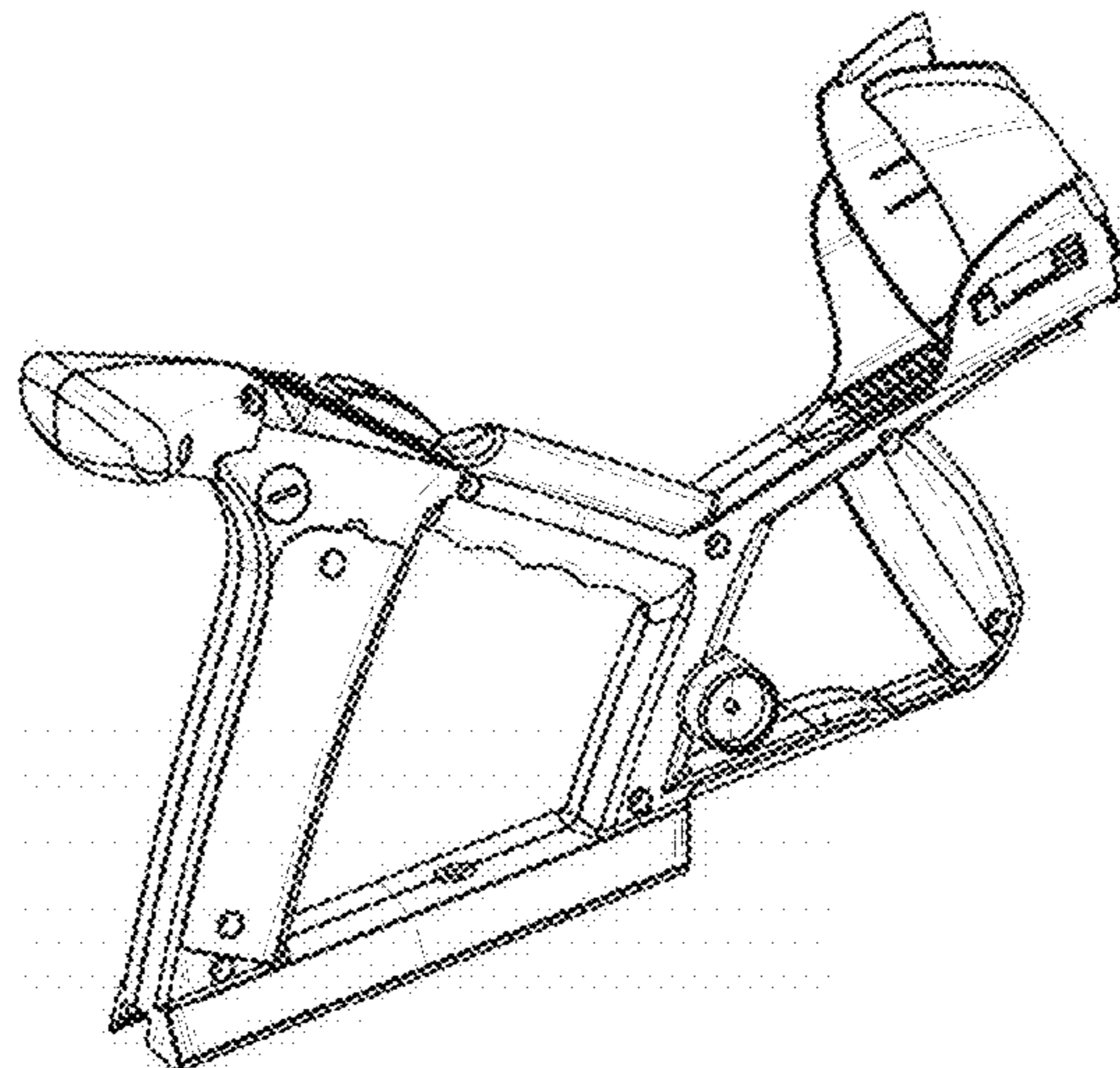
DESCRIPTION

1. Directional arm for a vacuum cleaner tube

- 1.1: Perspective View
- 1.2: Perspective View
- 1.3: Side View
- 1.4: Side View
- 1.5: Bottom View
- 1.6: Top View
- 1.7: Front View
- 1.8: Rear View

The broken line portions in the drawings form no part of the claimed design.

1 Claim, 8 Drawing Sheets



(56)

References Cited

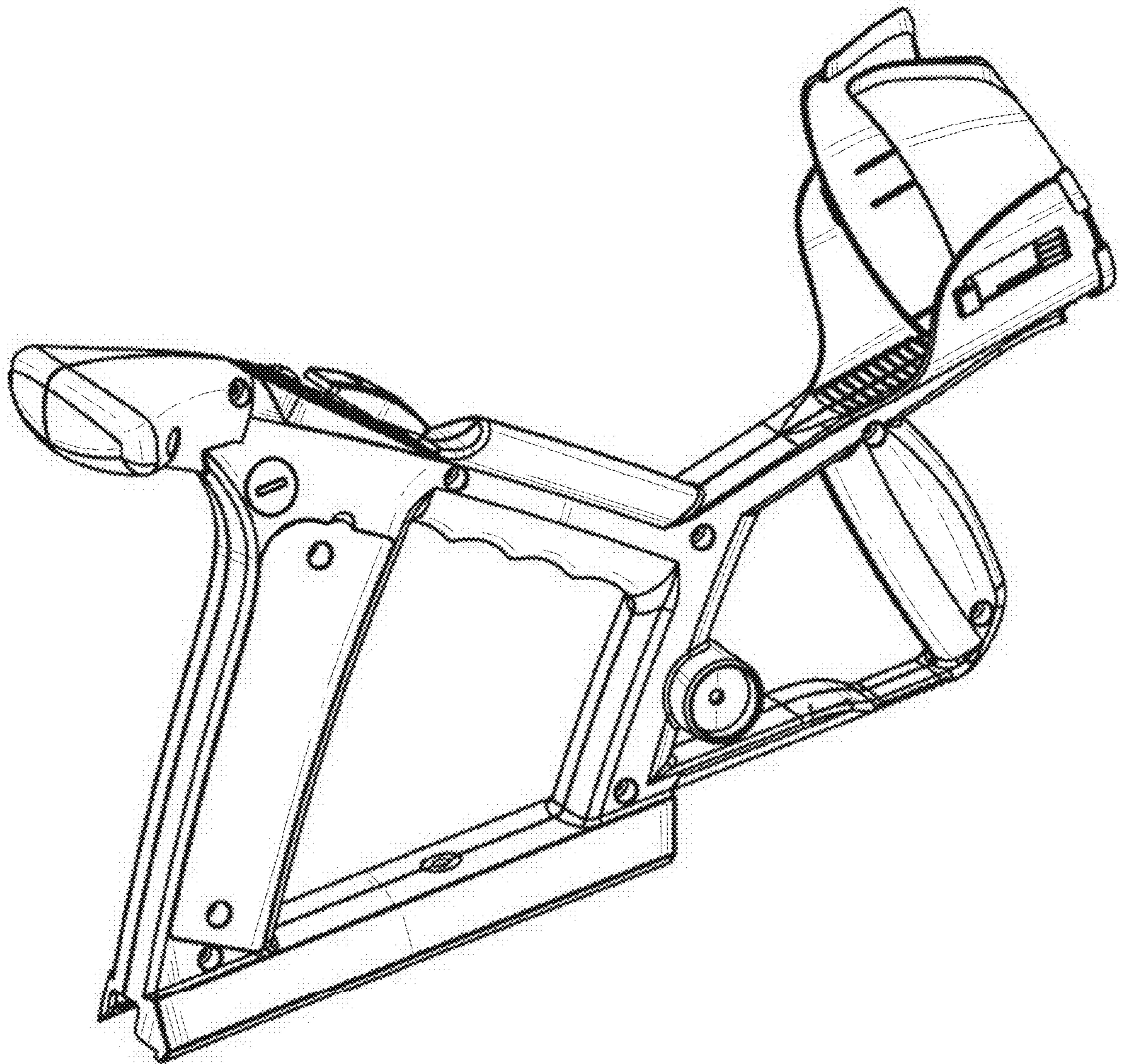
U.S. PATENT DOCUMENTS

D802,863 S * 11/2017 Jang D32/34
D803,497 S * 11/2017 Gammack D32/34
2007/0101534 A1* 5/2007 Maier E01H 1/0863
15/346
2007/0136983 A1* 6/2007 Oberhofer E01H 1/0809
15/330
2018/0035615 A1* 2/2018 Streetman A01G 20/43

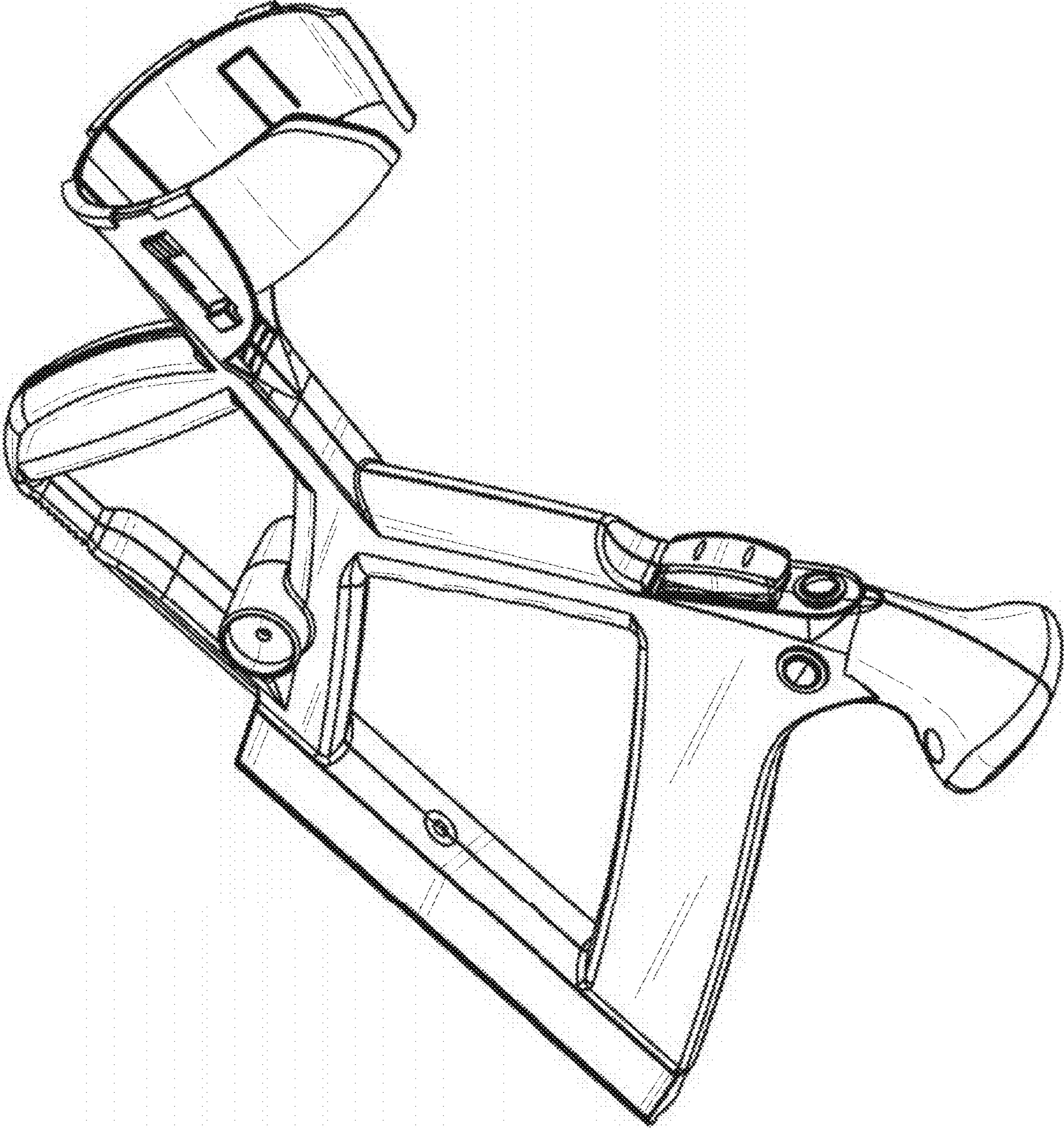
OTHER PUBLICATIONS

Youtube, Street Vacuum in Brussels—Belgium, posted Mar. 25, 2015, [online], [visited Sep. 28, 2020]. Internet, <URL: <https://www.youtube.com/watch?v=j77dUdbH7Zs>> (Year: 2015).*

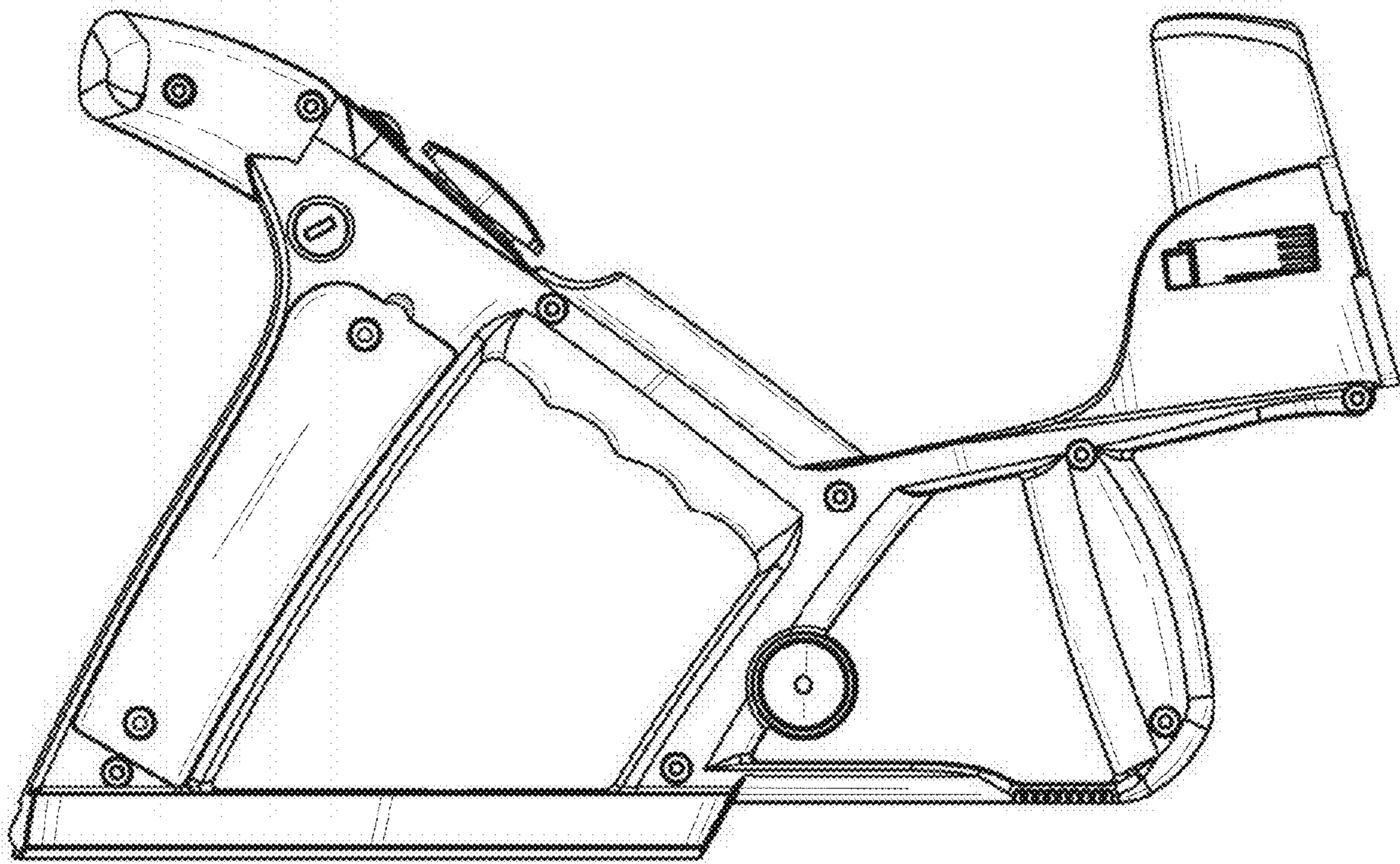
* cited by examiner



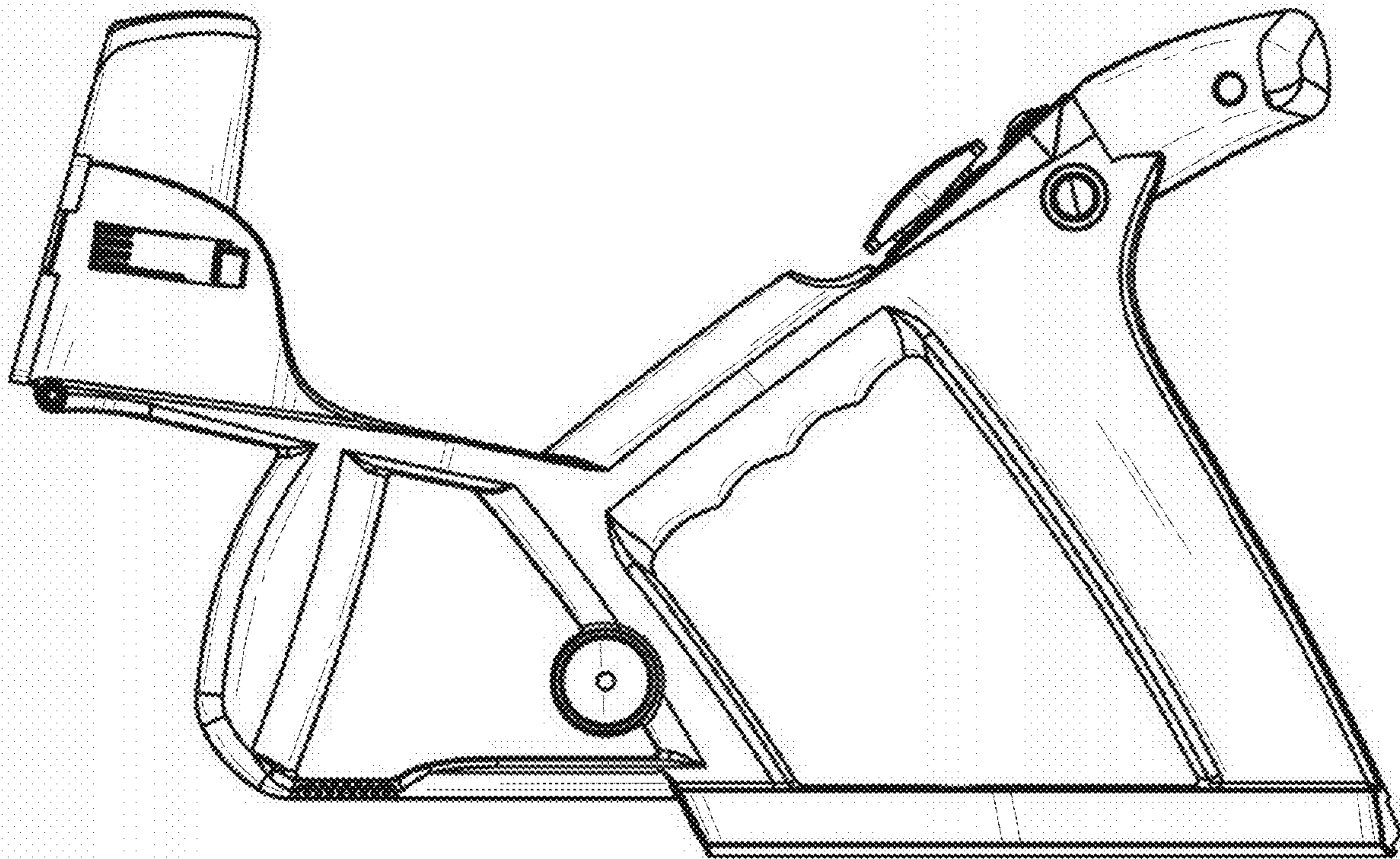
1.1



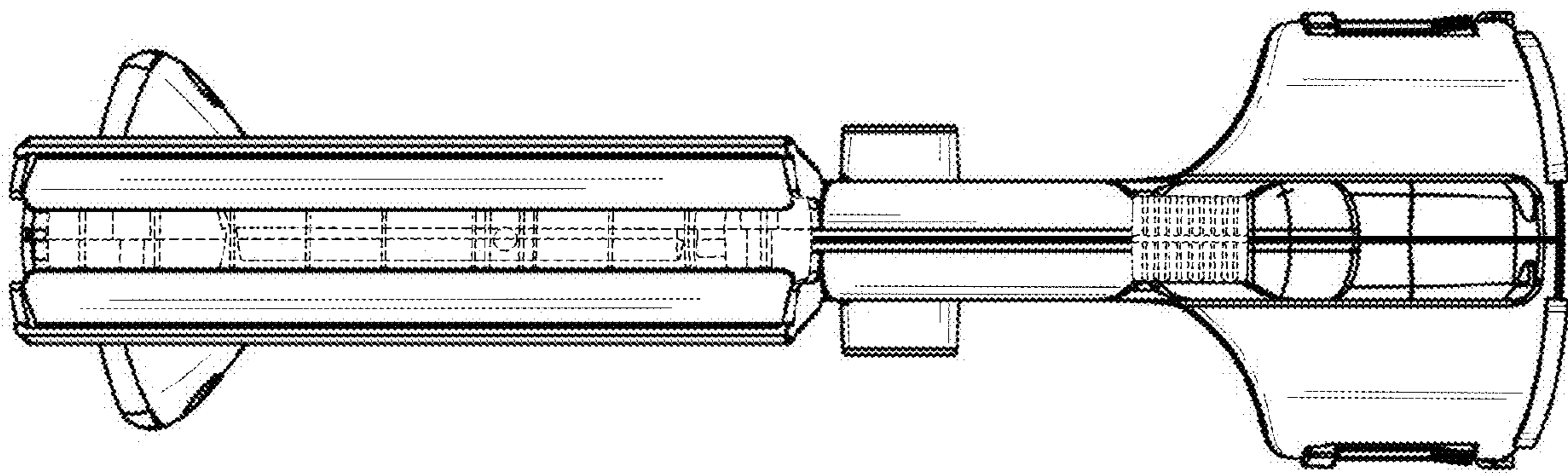
1.2



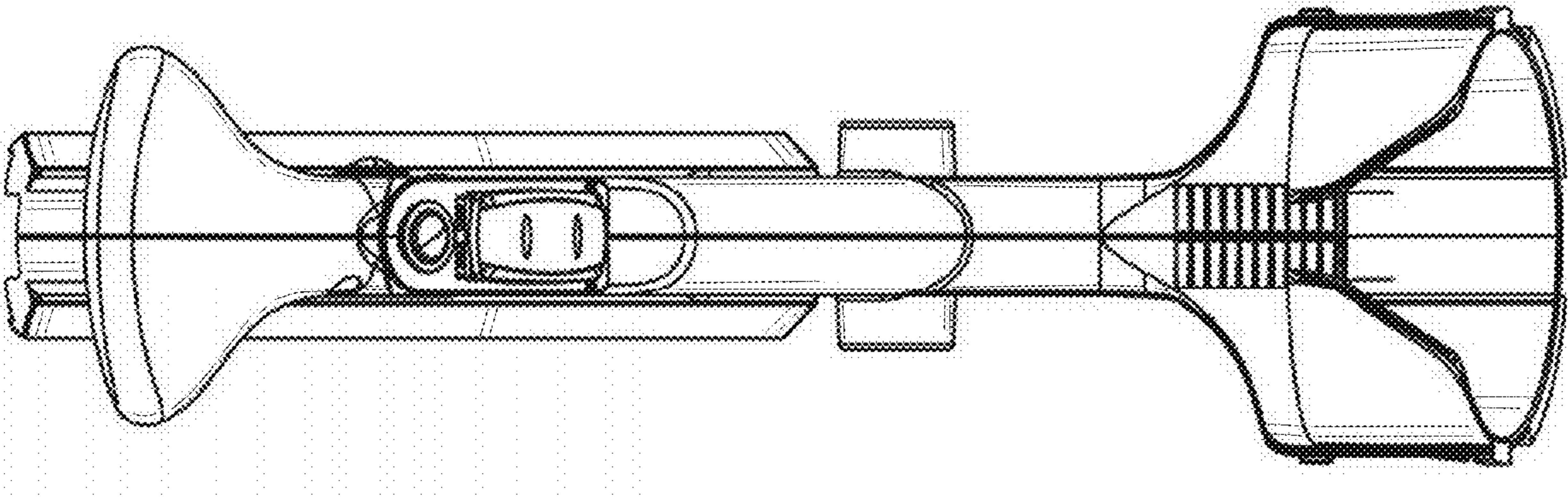
1.3



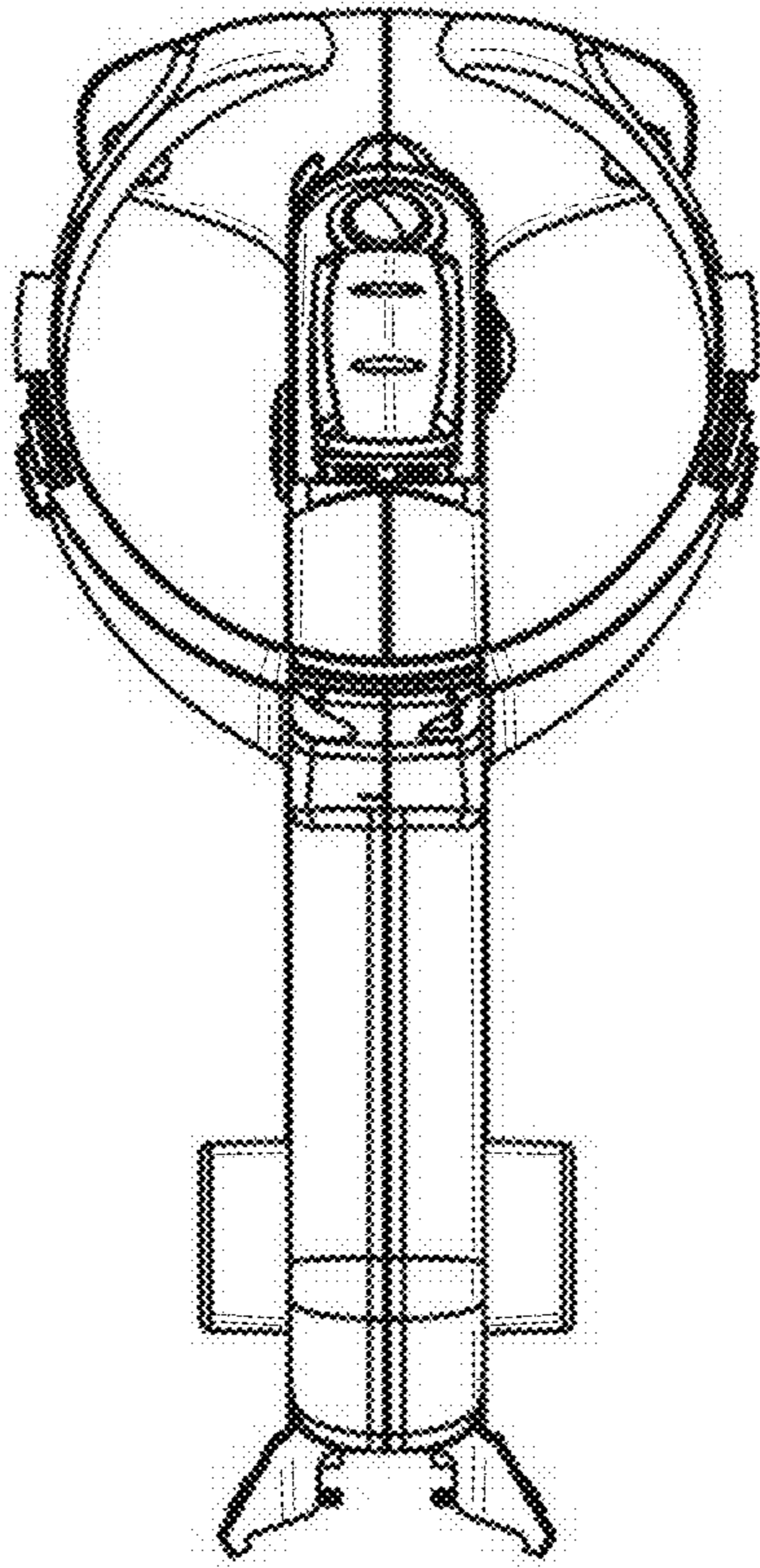
1.4



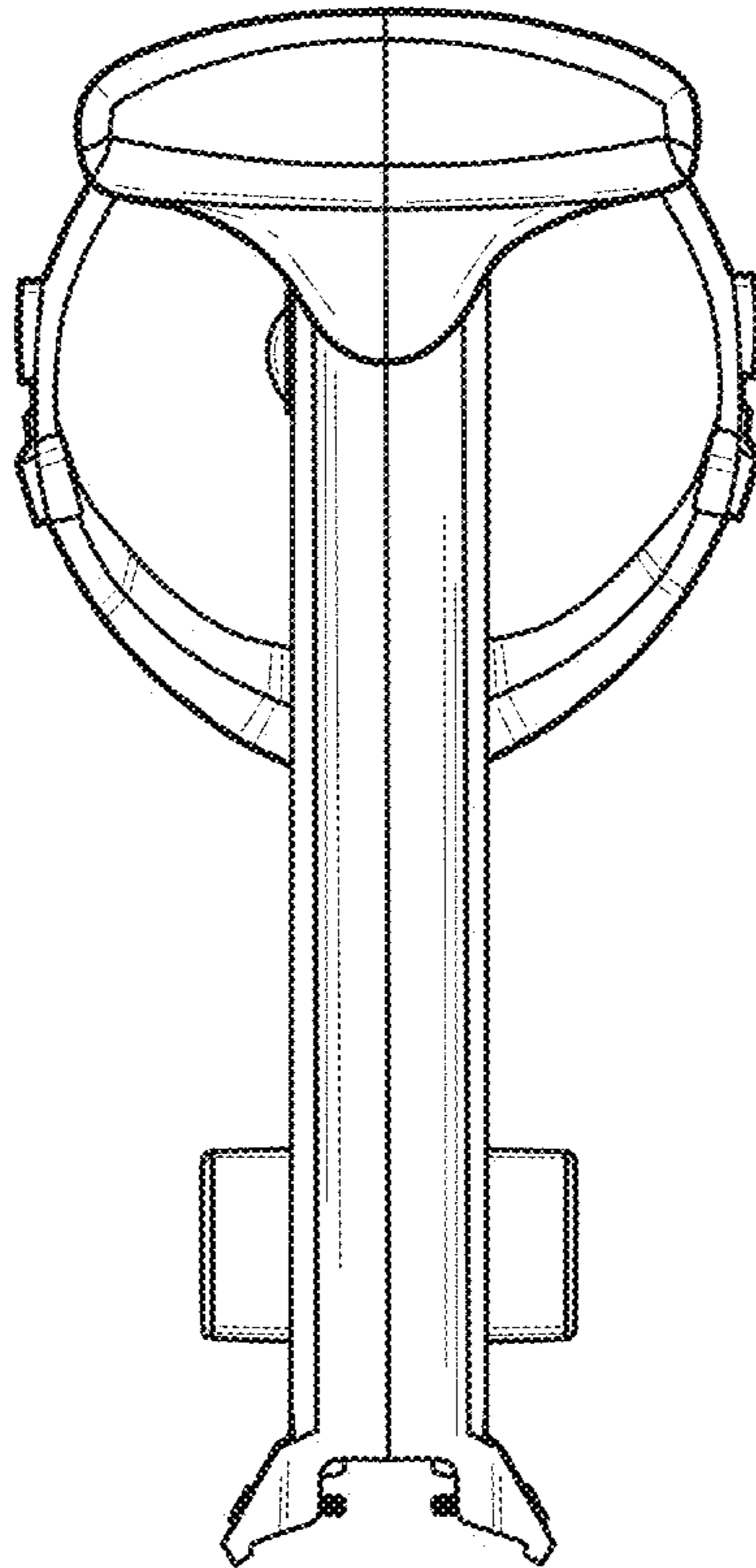
1.5



1.6



1.7



1.8